

Assembly Manual

A



1 PC

B



2 PCS

C



6 PCS

D

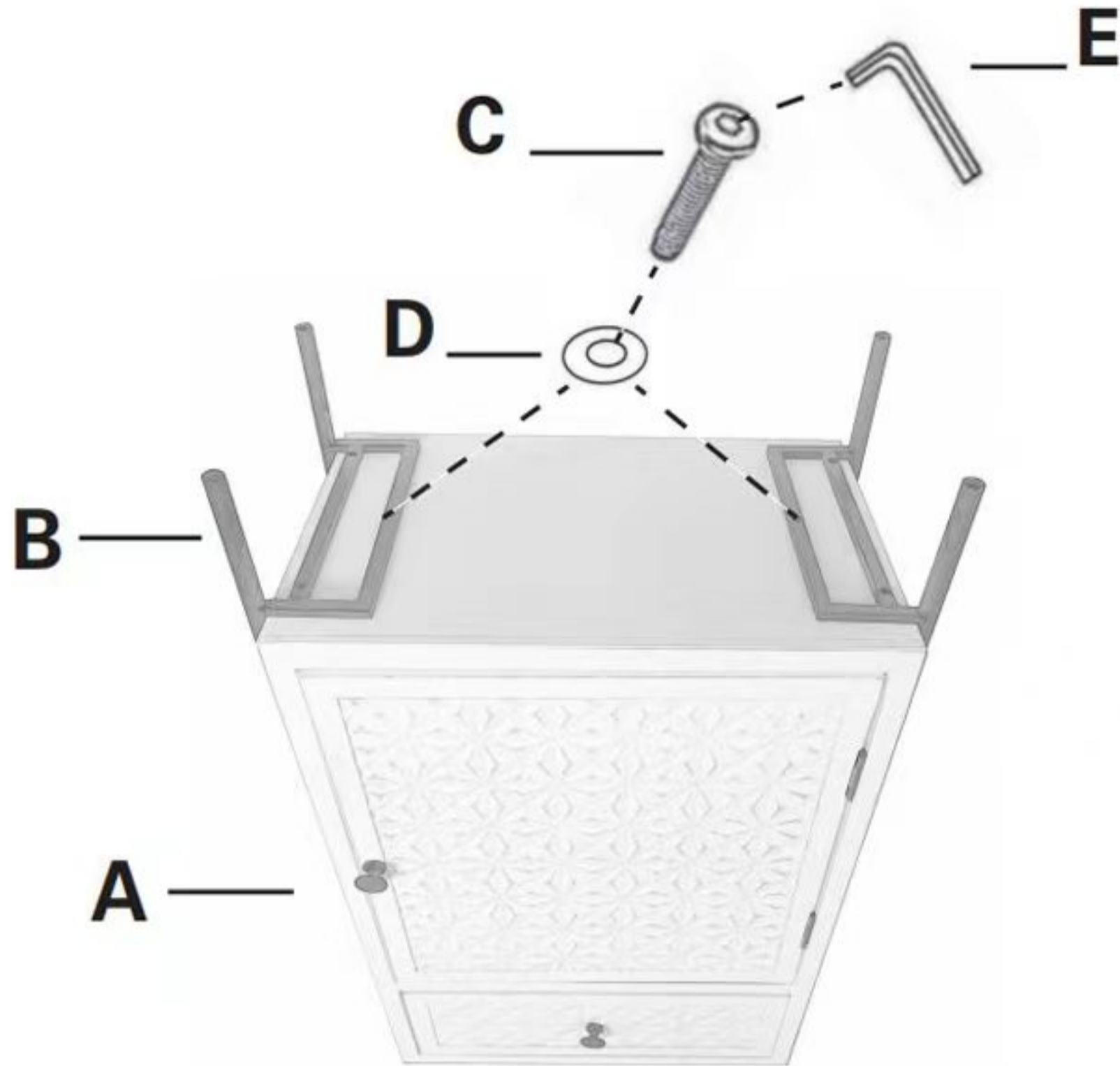


6 PCS

E



1 PC



Step 1: Lay Part A with holes facing up on flat surface



Step 2: Parts B screw to Part A using Parts C, Parts D and Part E.