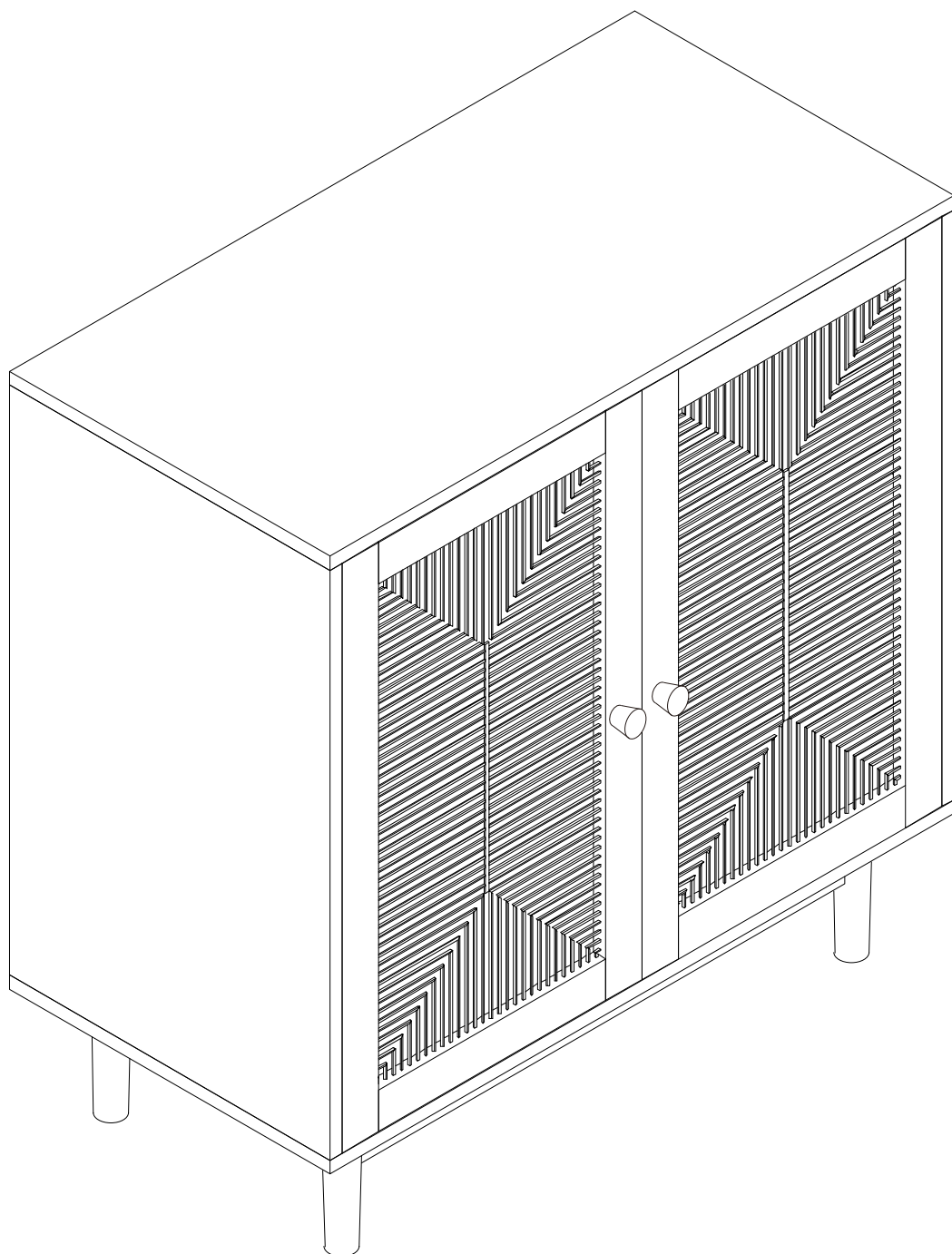
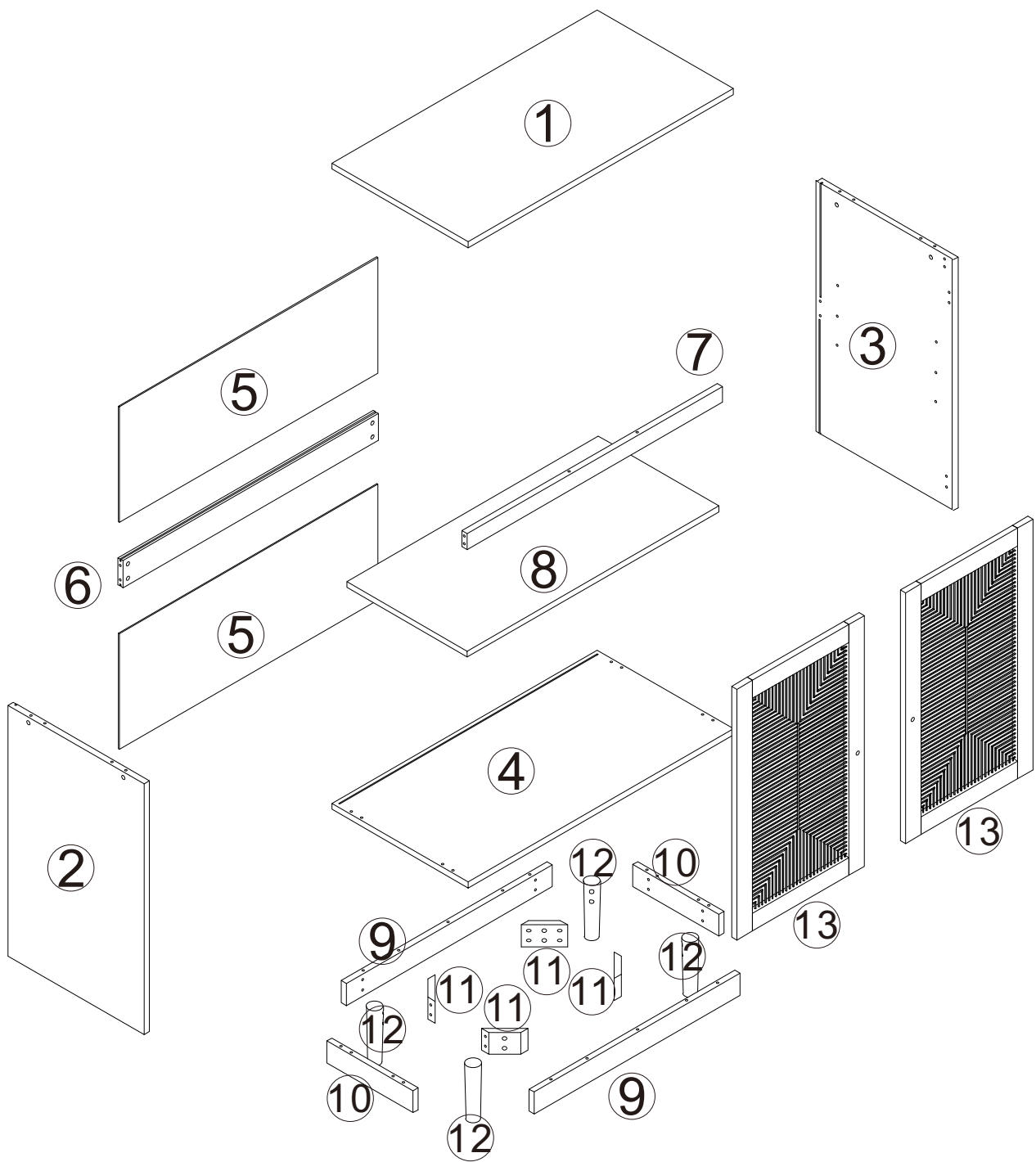
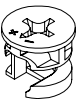
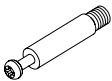
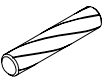
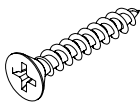
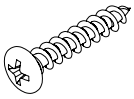
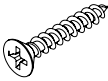
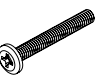

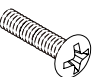




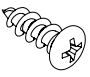
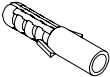




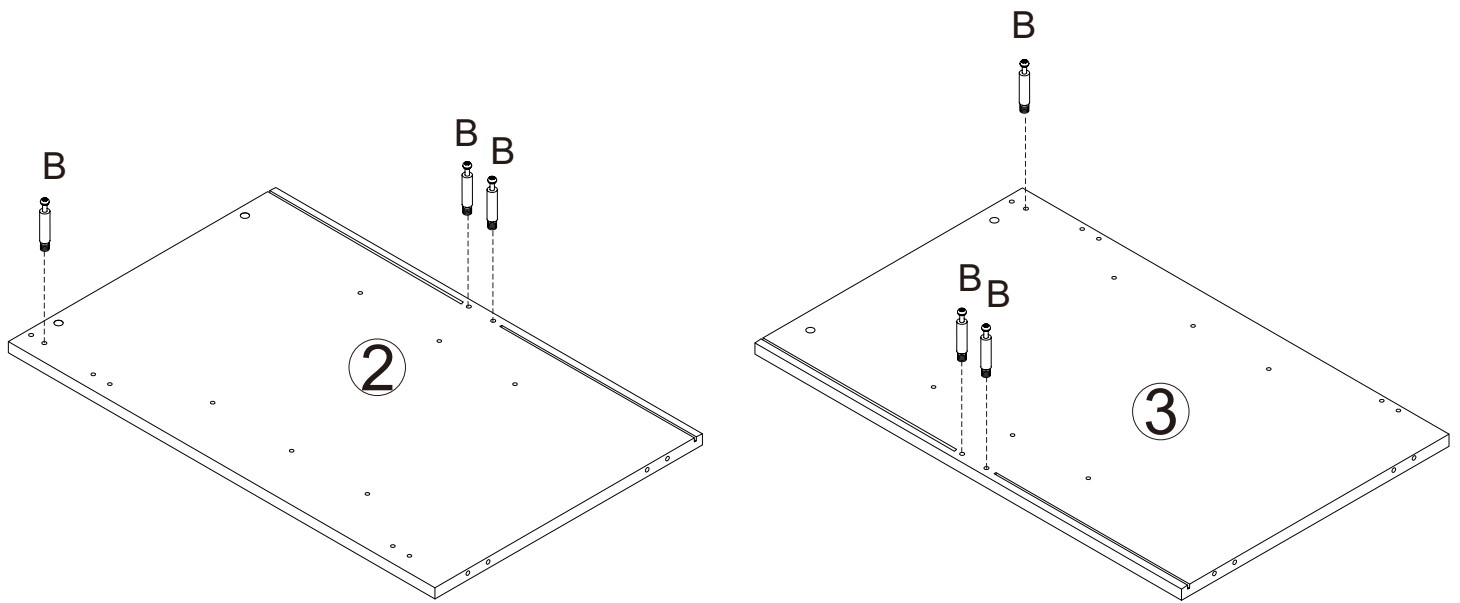
WI13332





					
Ax10	Bx10	Cx18	Dx7	Ex10	Fx16
					
Gx8	Hx10	Ix2	Jx2	Kx4	Lx16
					
Mx4	Nx1	Ox1	Px1	Qx4	

1

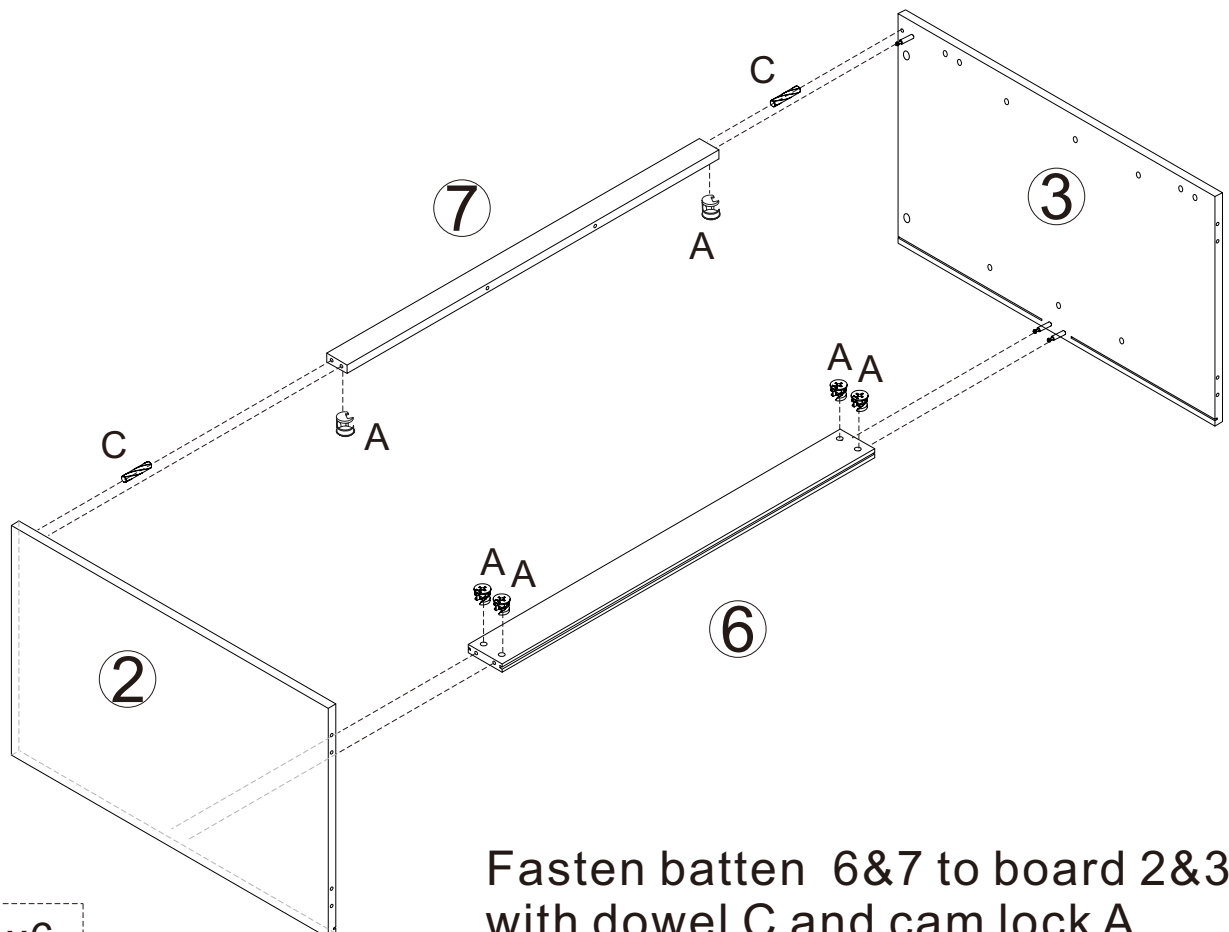


Screw cam bolt B into board 2&3



Bx6

2



Fasten batten 6&7 to board 2&3
with dowel C and cam lock A

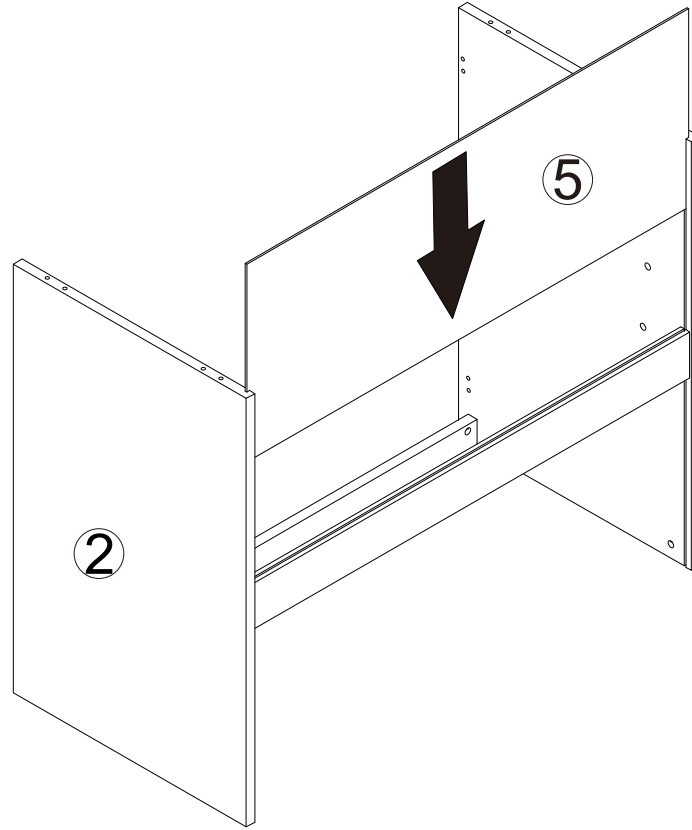


Ax6



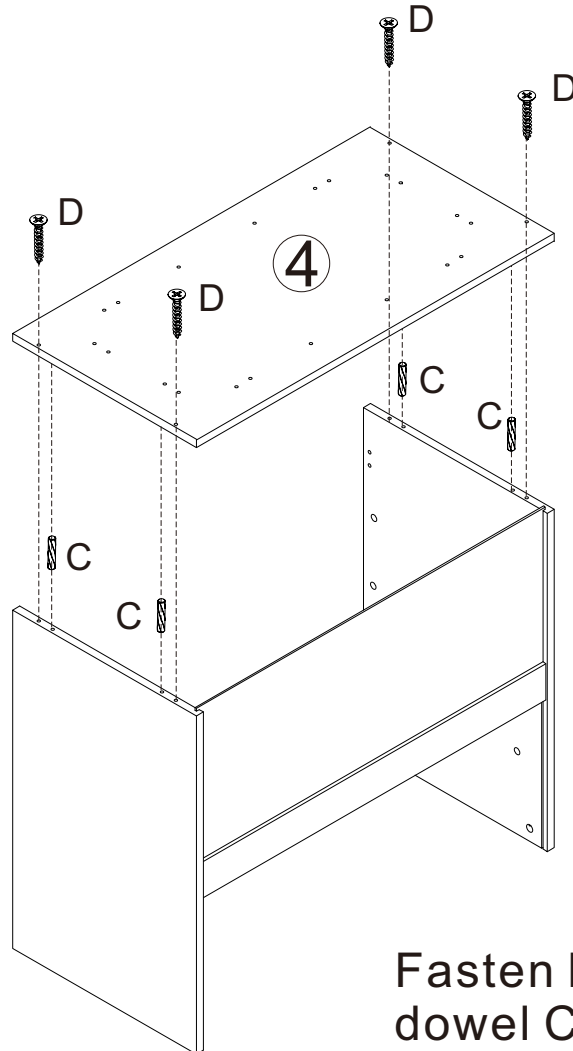
Cx2

3



Slide board 5 into the grooves of 2&3&6

4



Fasten board 4 to 2&3 with
dowel C and screw D

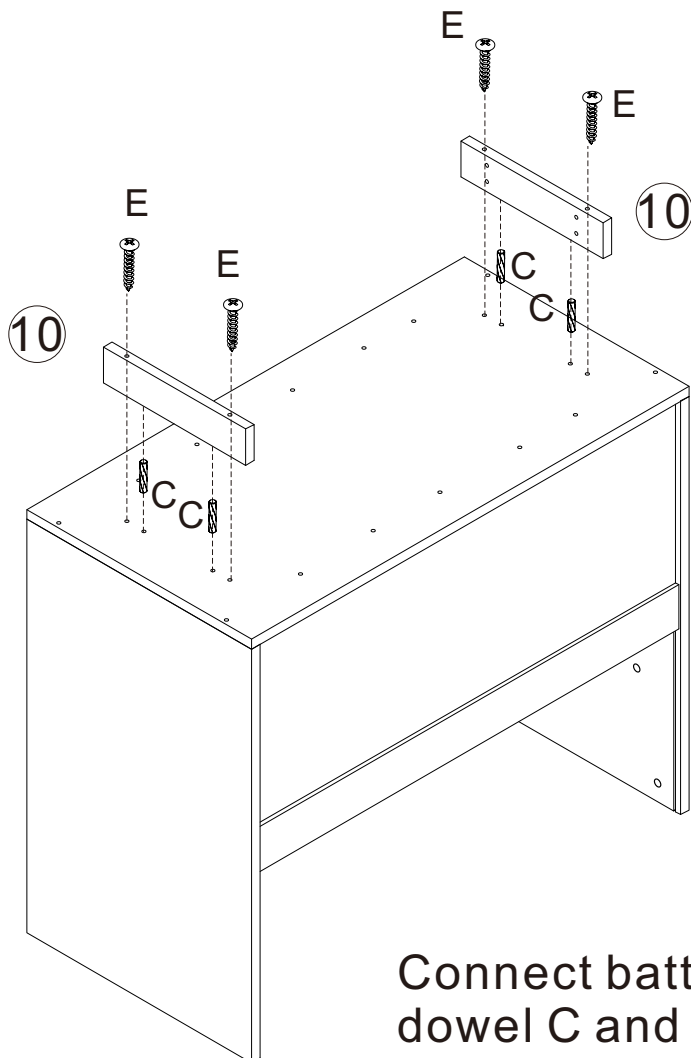


Cx4



Dx4

5



Connect batten 10 to board 4 with
dowel C and screw E

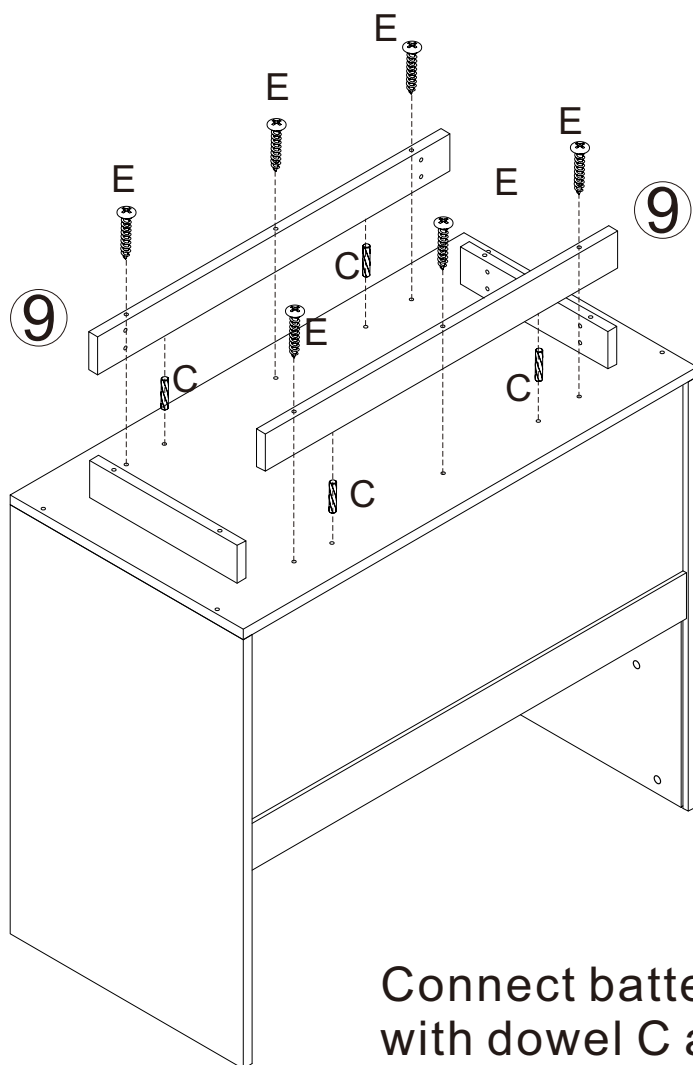


Cx4



Ex4

6



Connect batten 9 to board 4
with dowel C and screw E

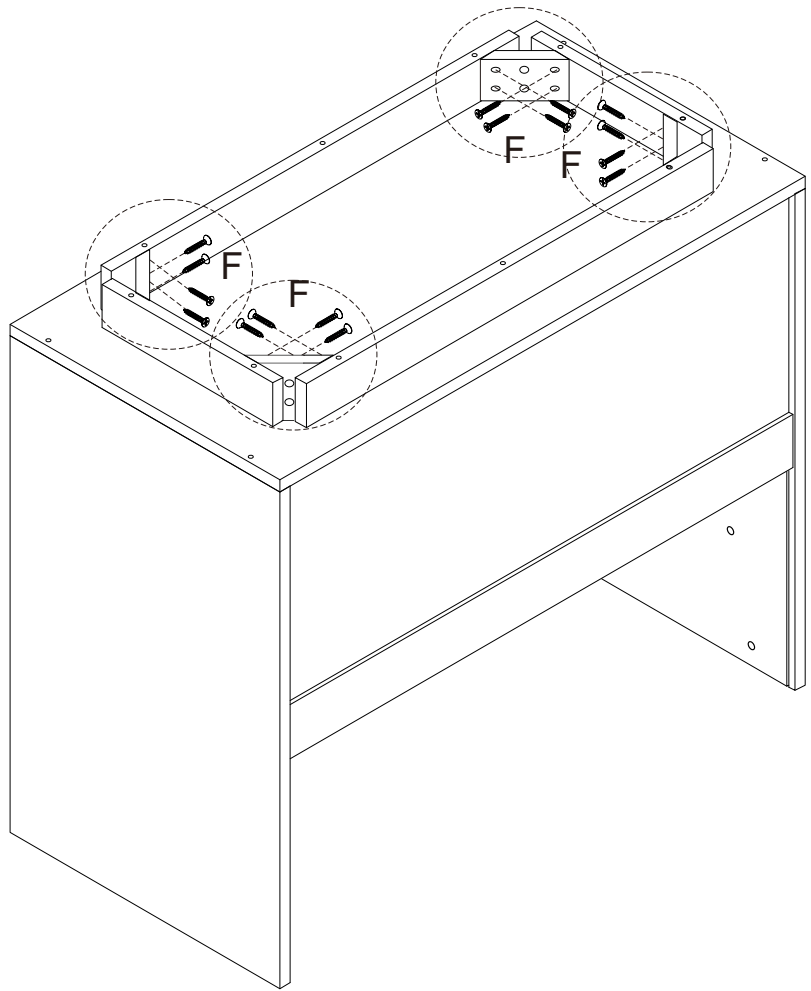
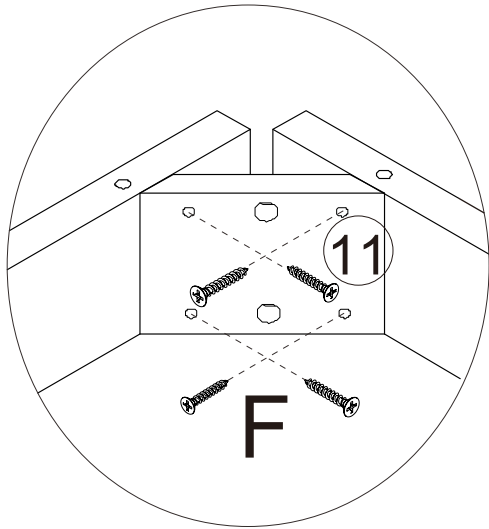


Cx4



Ex6

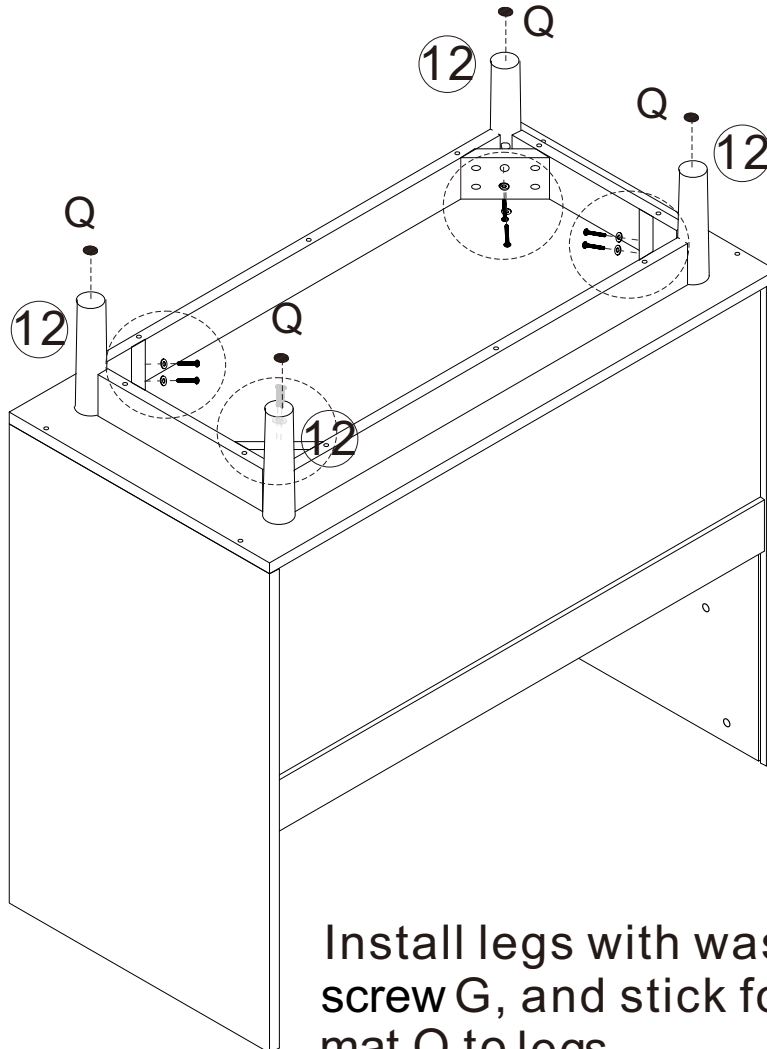
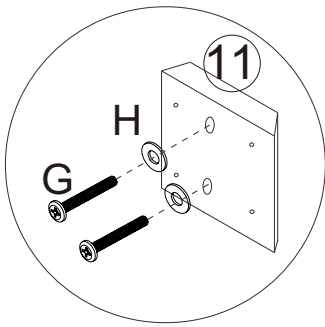
7



F x 16

Fasten board 11 to 4 corners of 9&10 with screw F

8



G x 8



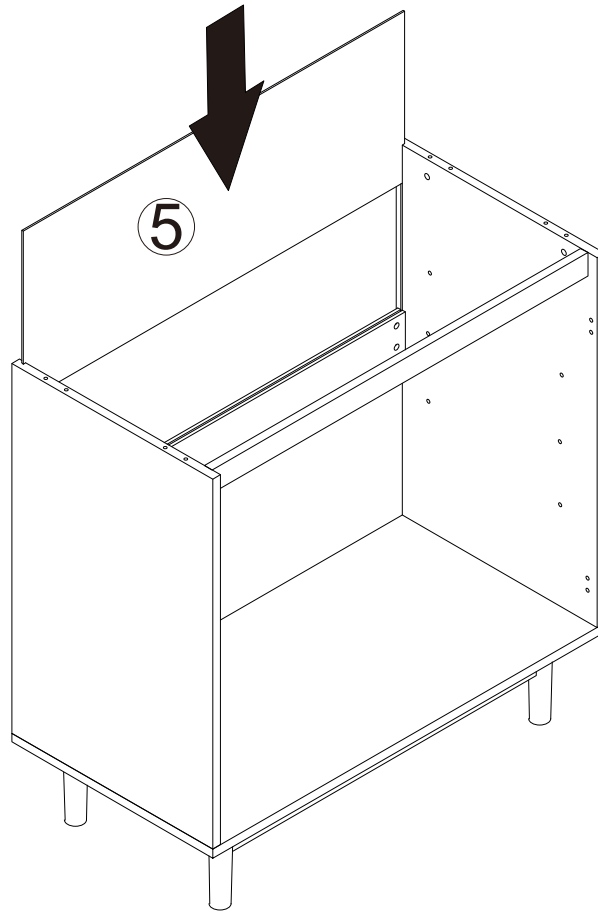
H x 8



Q x 4

Install legs with washer H and screw G, and stick non-slip mat Q to legs

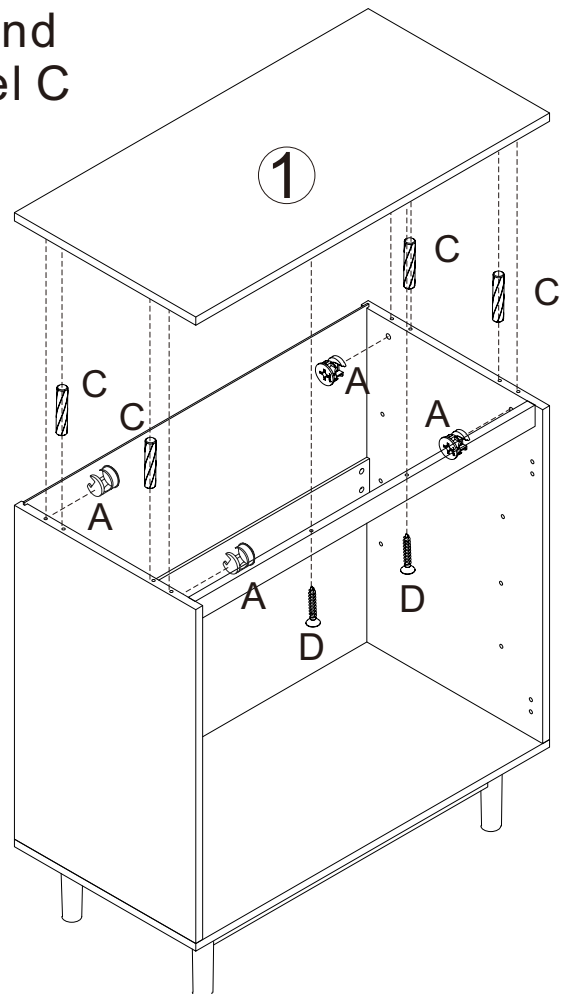
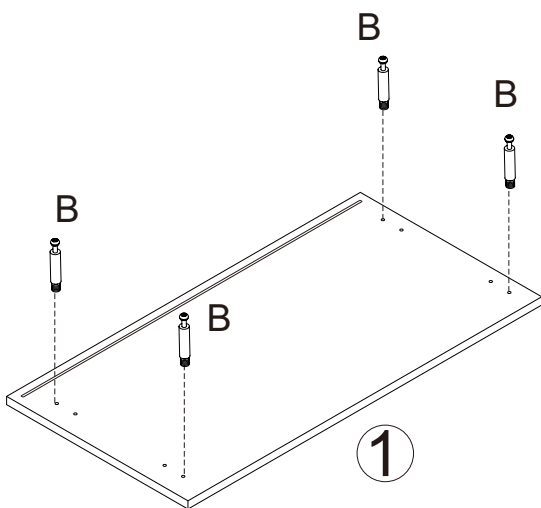
9



Slide board 5 into the grooves of 2&3&6

10

Screw cam bolt B into board 1 and fasten board 1 to 2&3 with dowel C and cam lock A



Ax4



Bx4

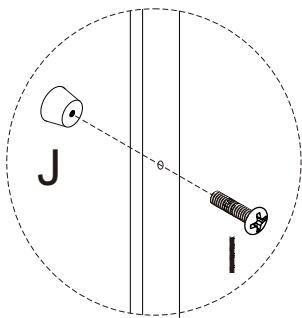
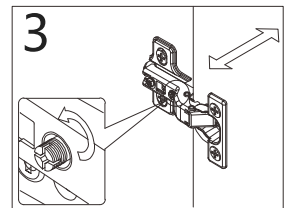
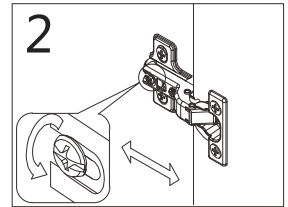
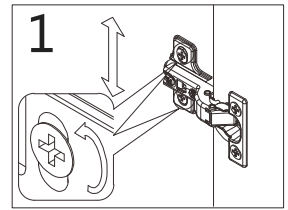
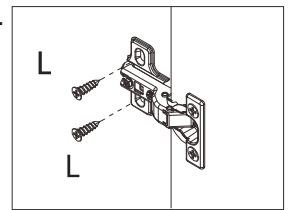
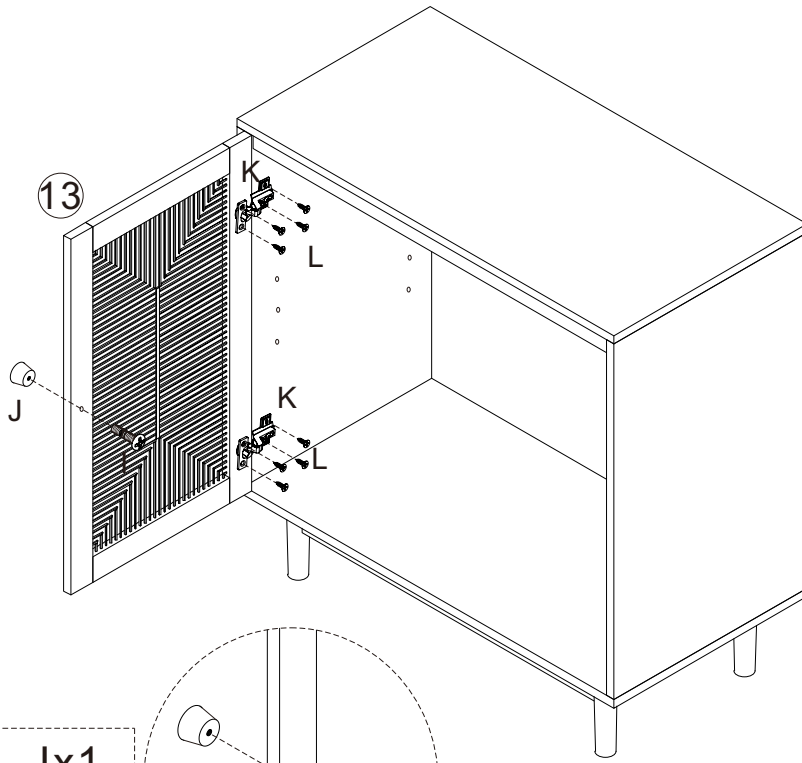


Cx4



Dx2

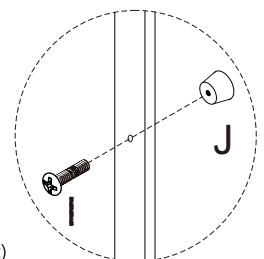
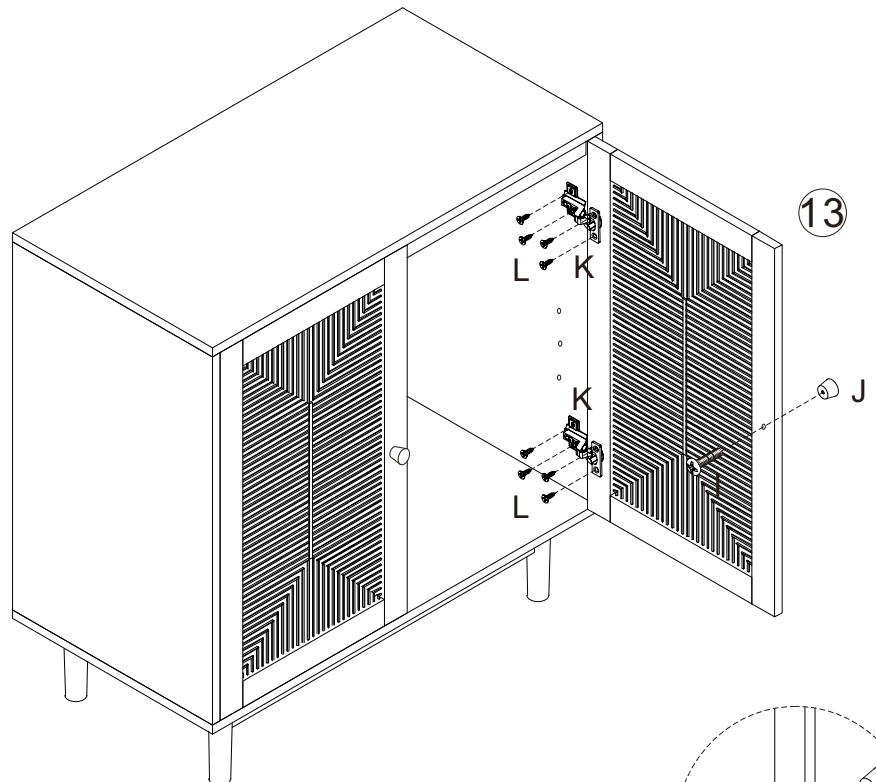
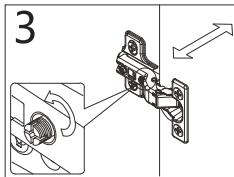
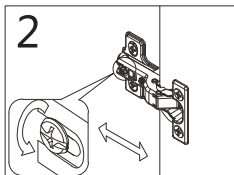
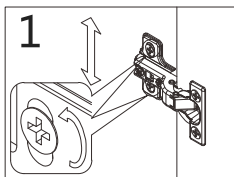
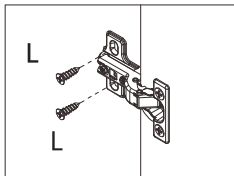
11 Fix handle J to board 13 with screw I and fix hinge K to board 13 with screw L. Stretch hinge K and fix its other end to board 2 with screw L



If the door panel is not sitting at a right position or angle, follow the steps below to improve.
 (1) Loosen the hinge, adjust the door panel position (up and down), then fasten the screws to secure the hinge (Step 1), or,
 (2) Loosen the middle screw of the hinge and adjust the door panel in and out, to desired position, then fasten the screws to secure the hinge (Step 2), or
 (3) Adjust the nut at the centre of the hinge to fine tune the tilting angle of the door panel (left or right) to make the door panel to be vertical.

	Ix1
	Jx1
	Kx2
	Lx8

12 Fix handle J to board 13 with screw I and fix hinge K to board 13 with screw L. Stretch hinge K and fix its other end to board 2 with screw L

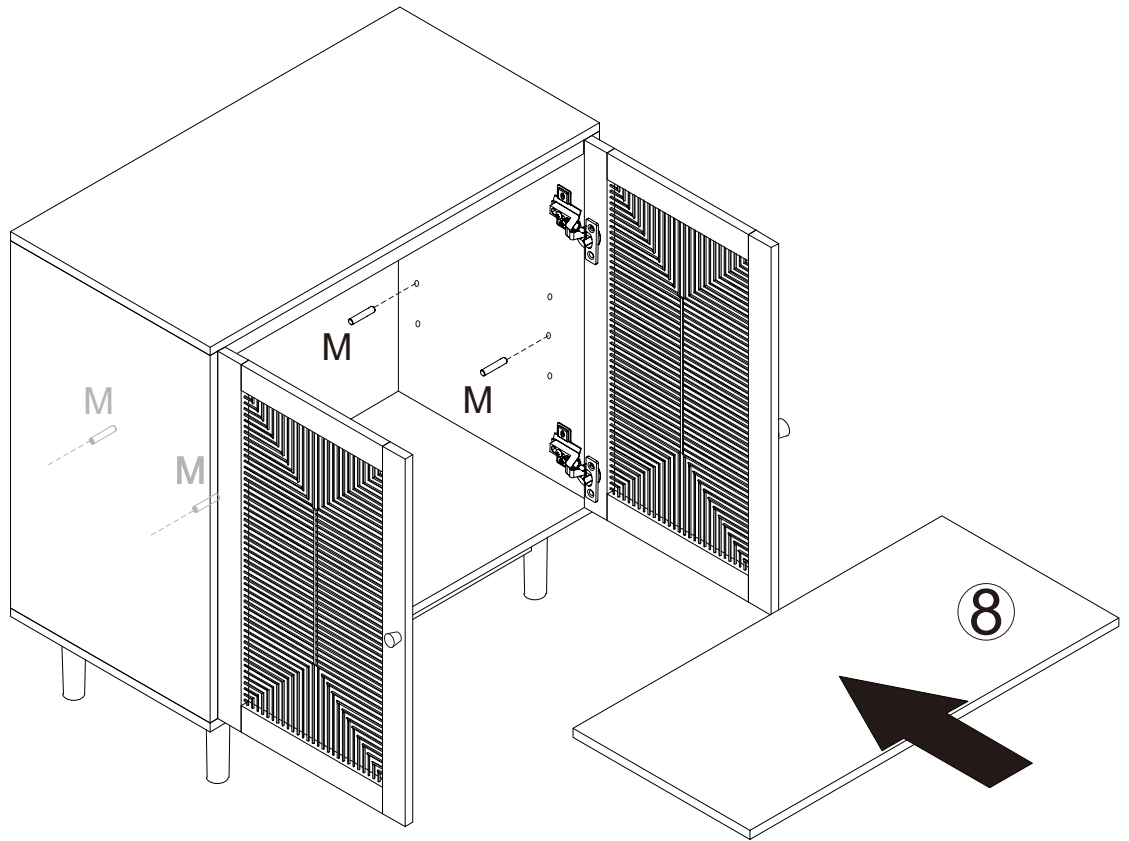


If the door panel is not sitting at a right position or angle, follow the steps below to improve.
 (1) Loosen the hinge, adjust the door panel position (up and down), then fasten the screws to secure the hinge (Step 1), or,
 (2) Loosen the middle screw of the hinge and adjust the door panel in and out, to desired position, then fasten the screws to secure the hinge (Step 2), or
 (3) Adjust the nut at the centre of the hinge to fine tune the tilting angle of the door panel (left or right) to make the door panel to be vertical.

	Ix1
	Jx1
	Kx2
	Lx8

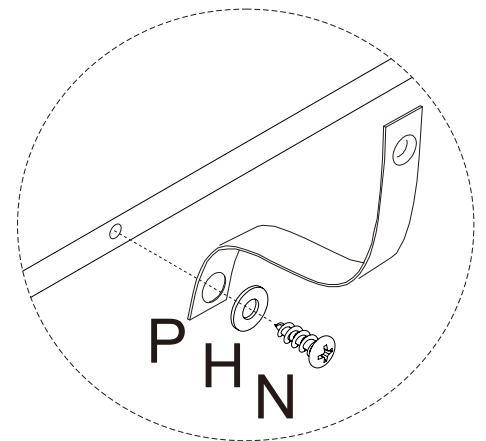
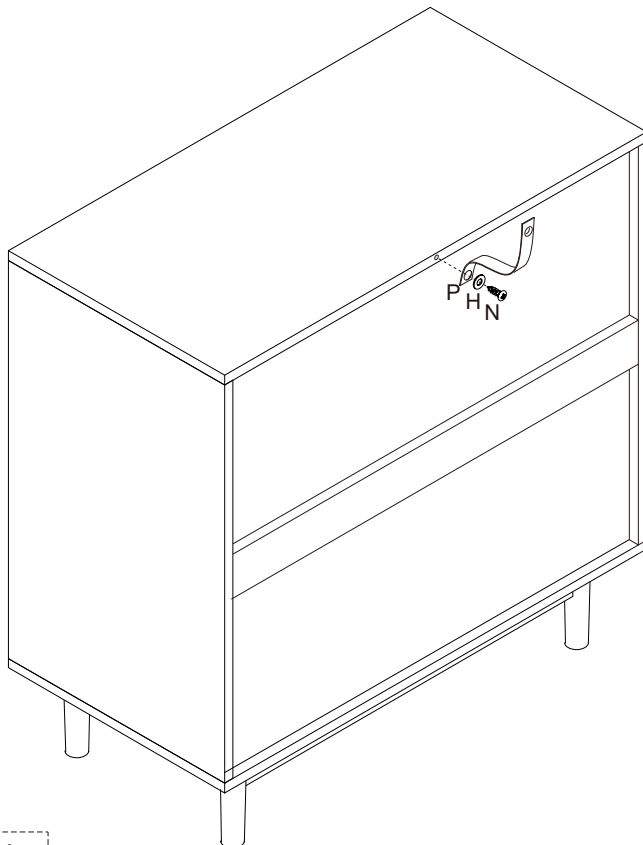
13

Insert nail M into board 2&3 and put board 8 on nails



Mx4

14



Hx1

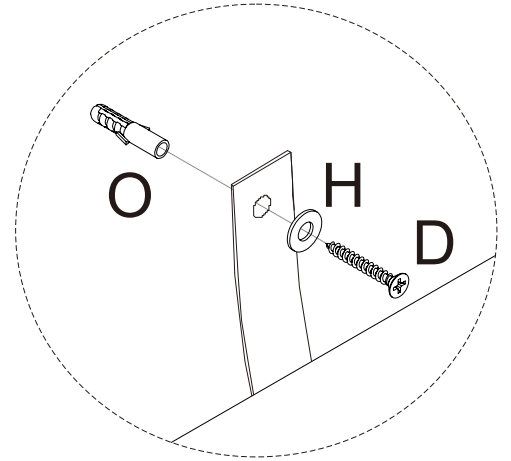
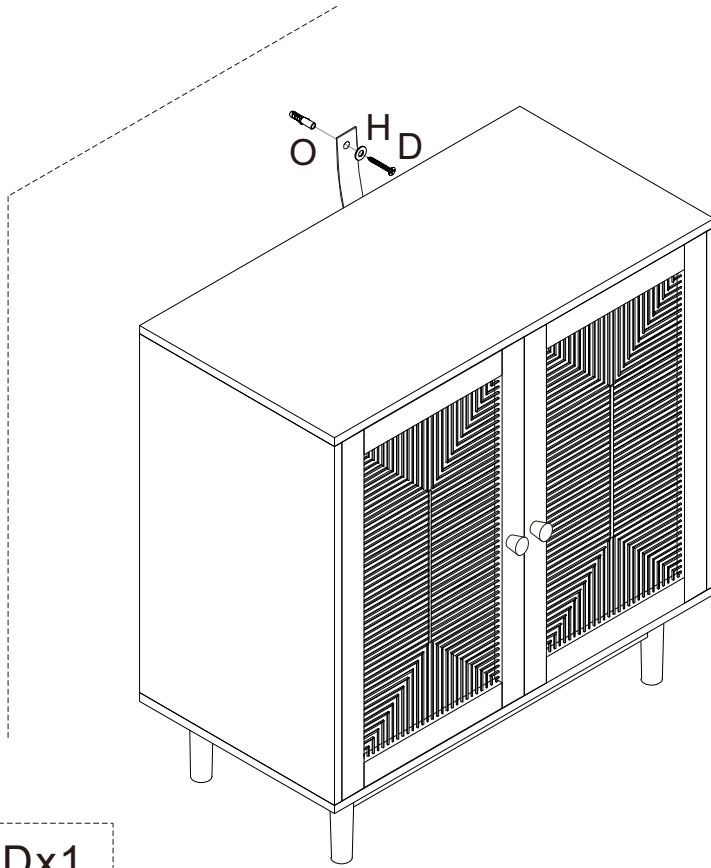


Nx1



Px1

Fix anti-topple kit(P,H,N) to board 1



Dx1



Hx1



Ox1

Lock the cabinet to the wall