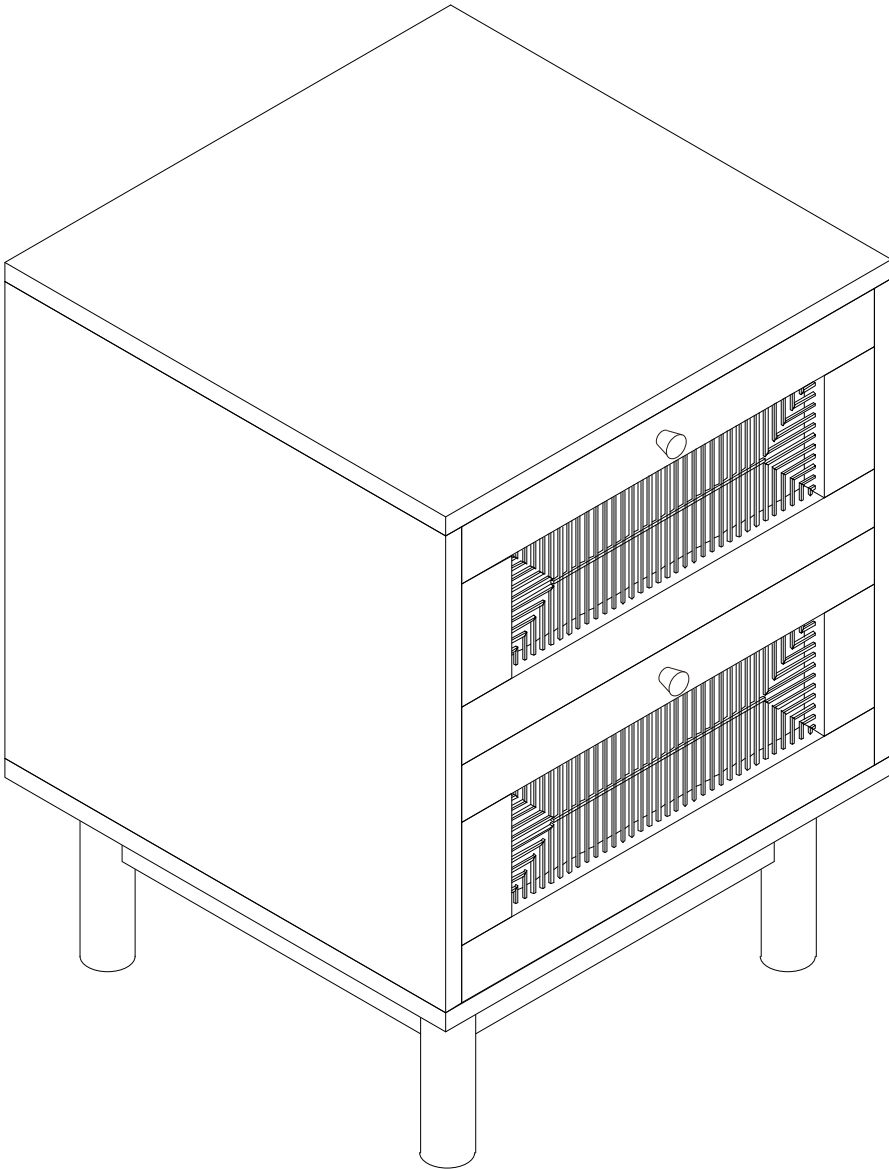
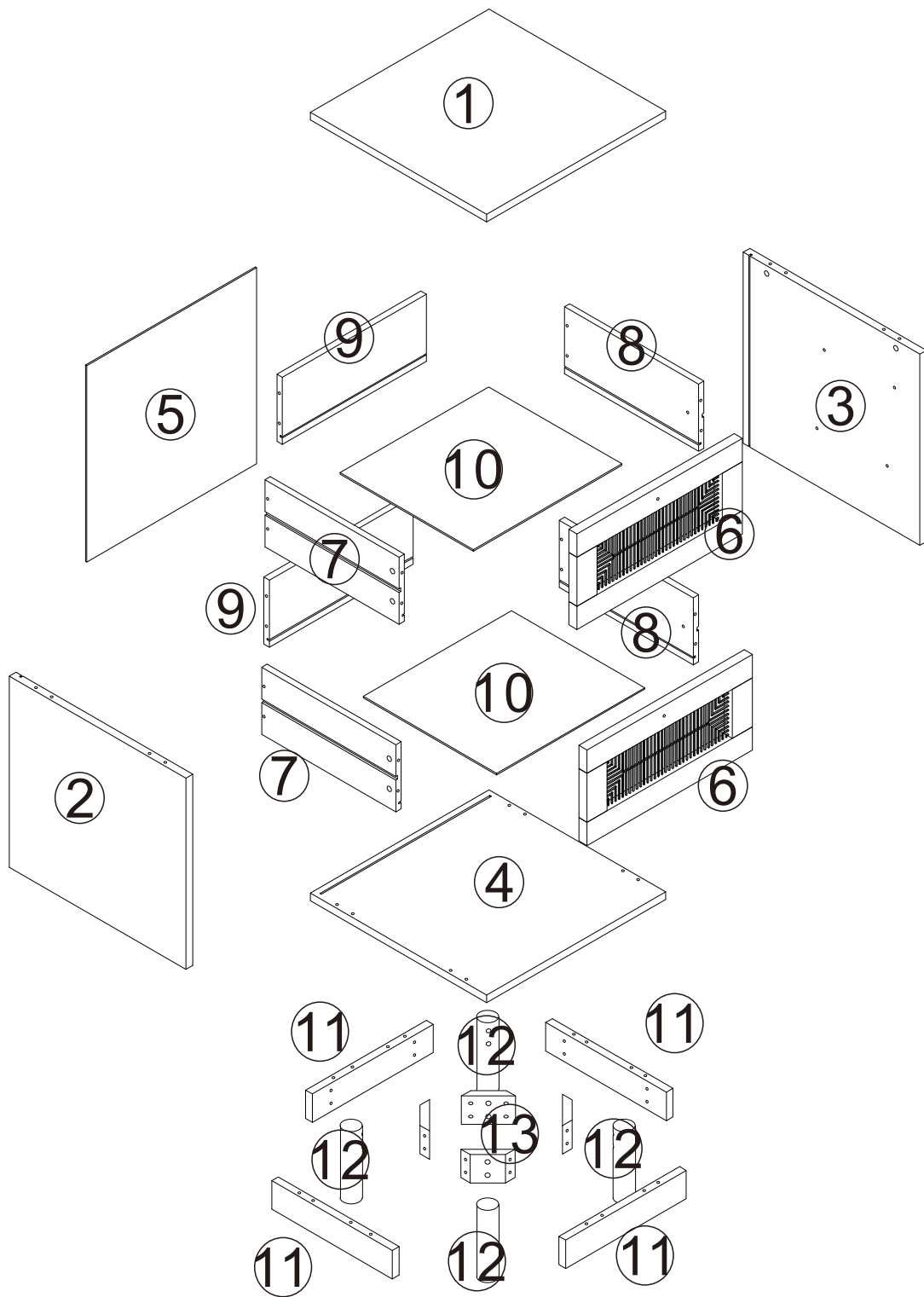

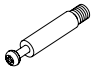
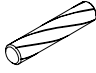

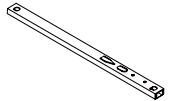
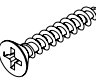
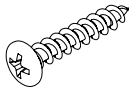

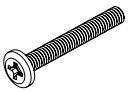


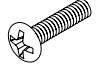





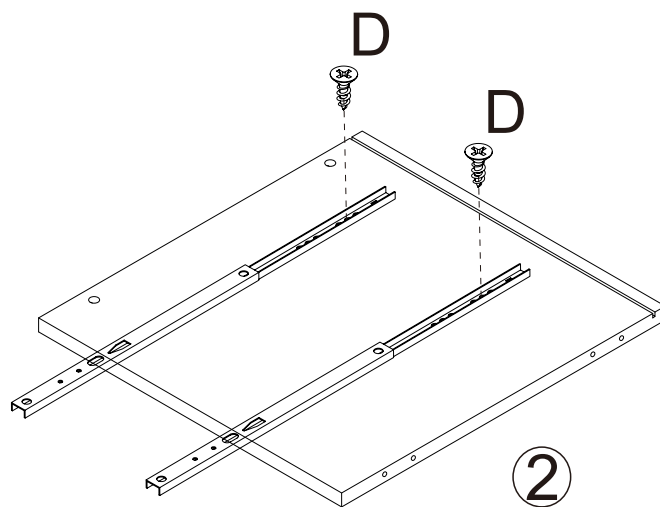
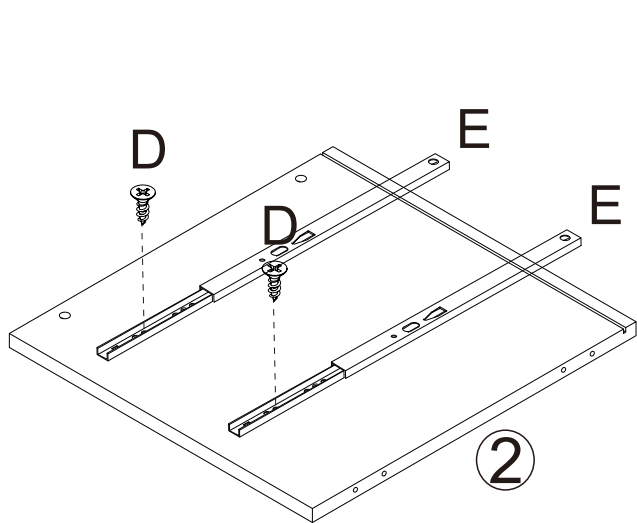
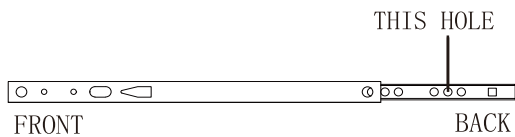
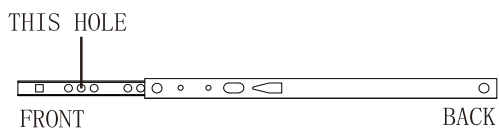
WI13330





				
Ax12	Bx12	Cx16	Dx8	Ex4
				
Fx4	Gx8	Hx16	Ix8	Jx8
				
Kx8	Lx2	Mx2	Nx4	Ox4

1



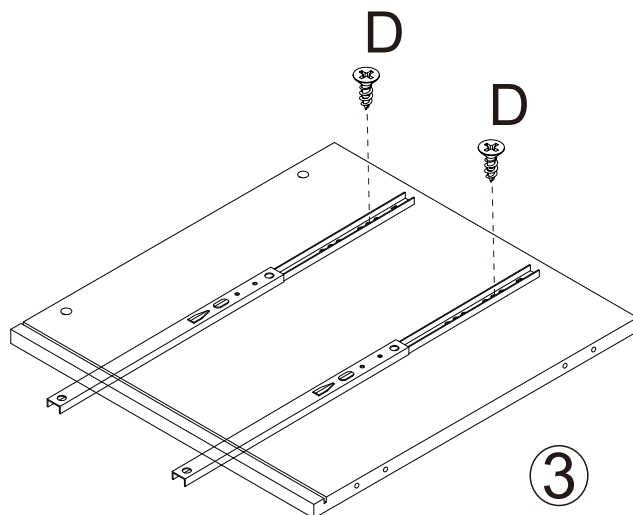
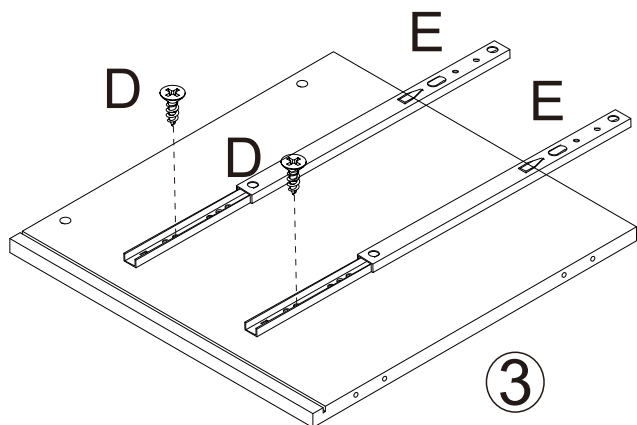
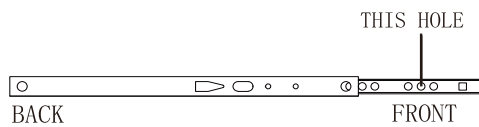
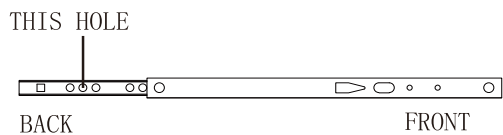
Dx4

Fix drawer track E to board 2 with screw D



Ex2

2



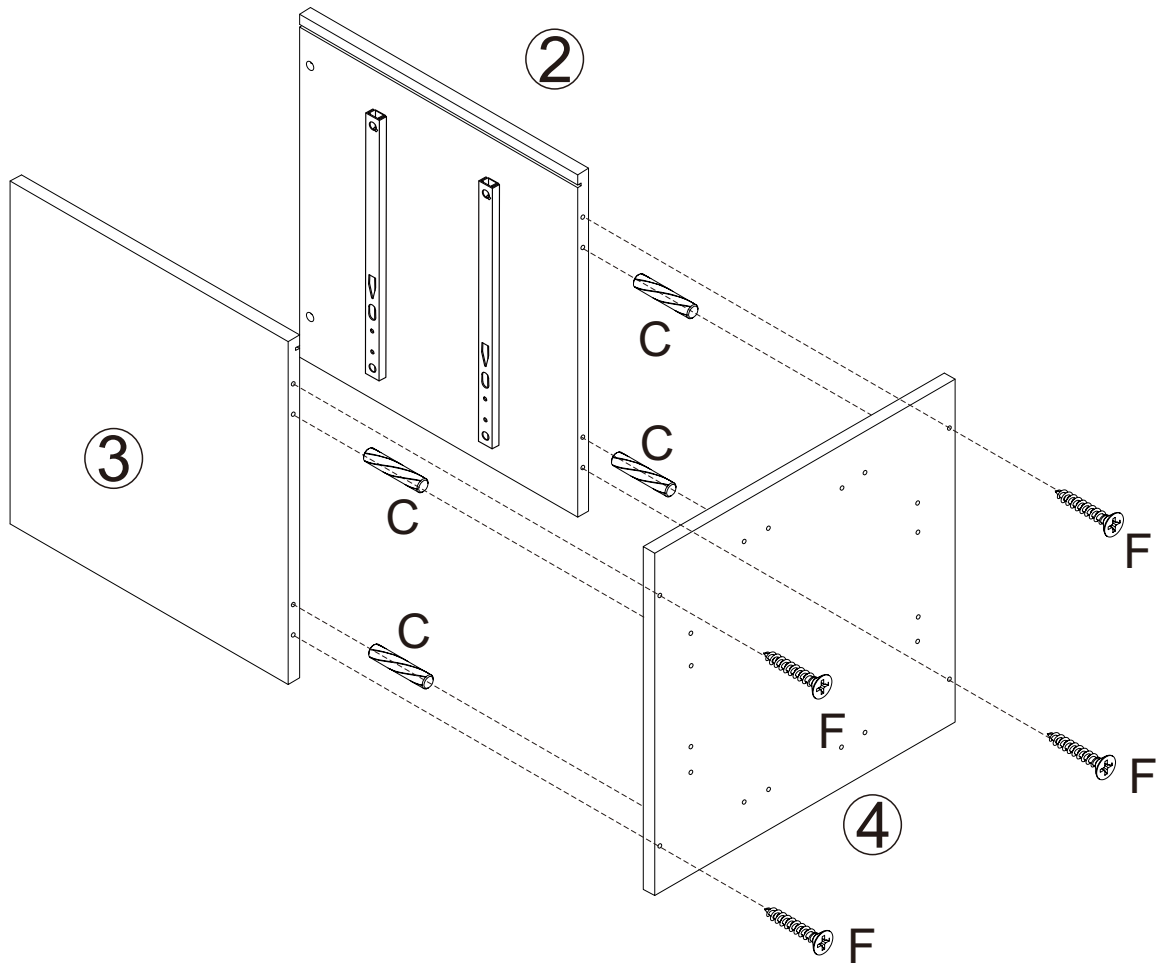
Dx4

Fix drawer track E to board 3 with screw D



Ex2

3



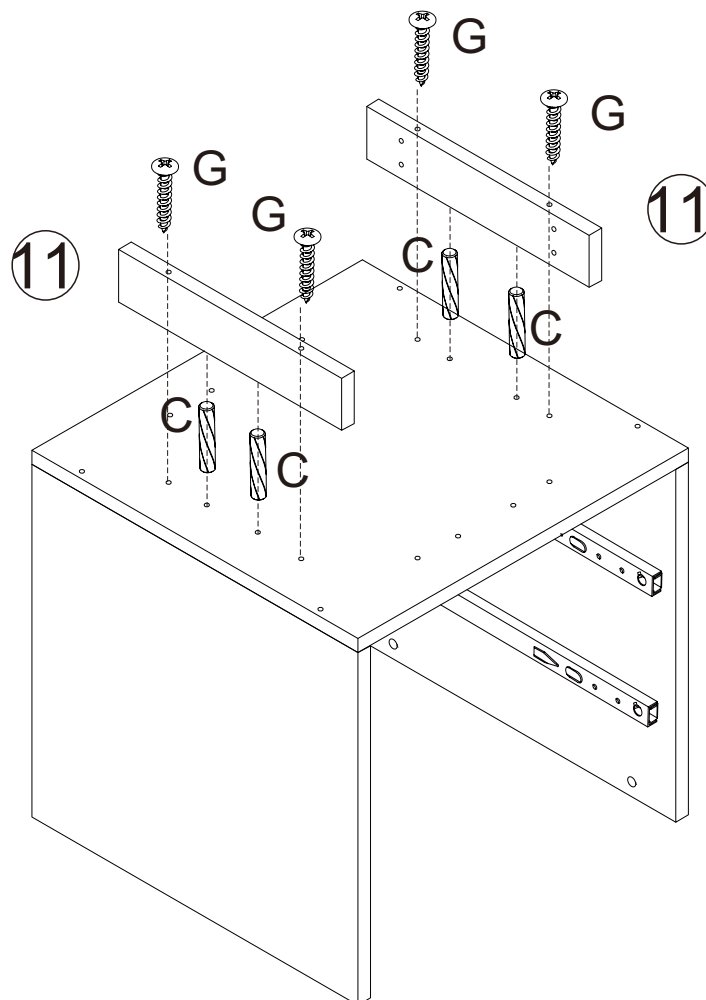
Cx4



Fx4

Connect board 4 to 3&2 with dowel C and screw F

4



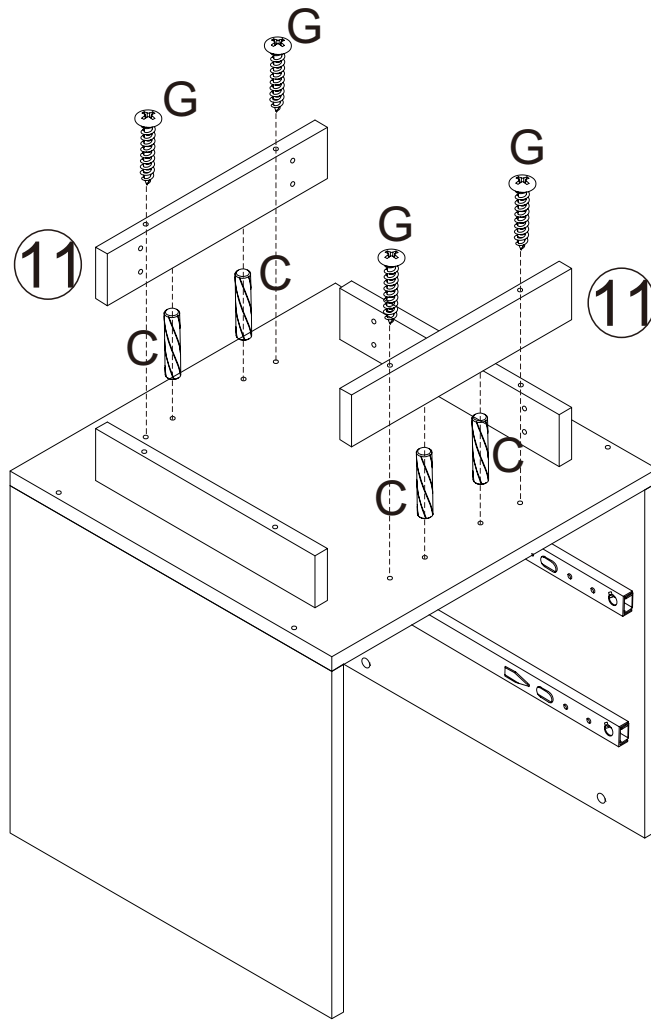
Cx4



Gx4

Fasten batten 11 to board 4 with dowel C and screw G

5



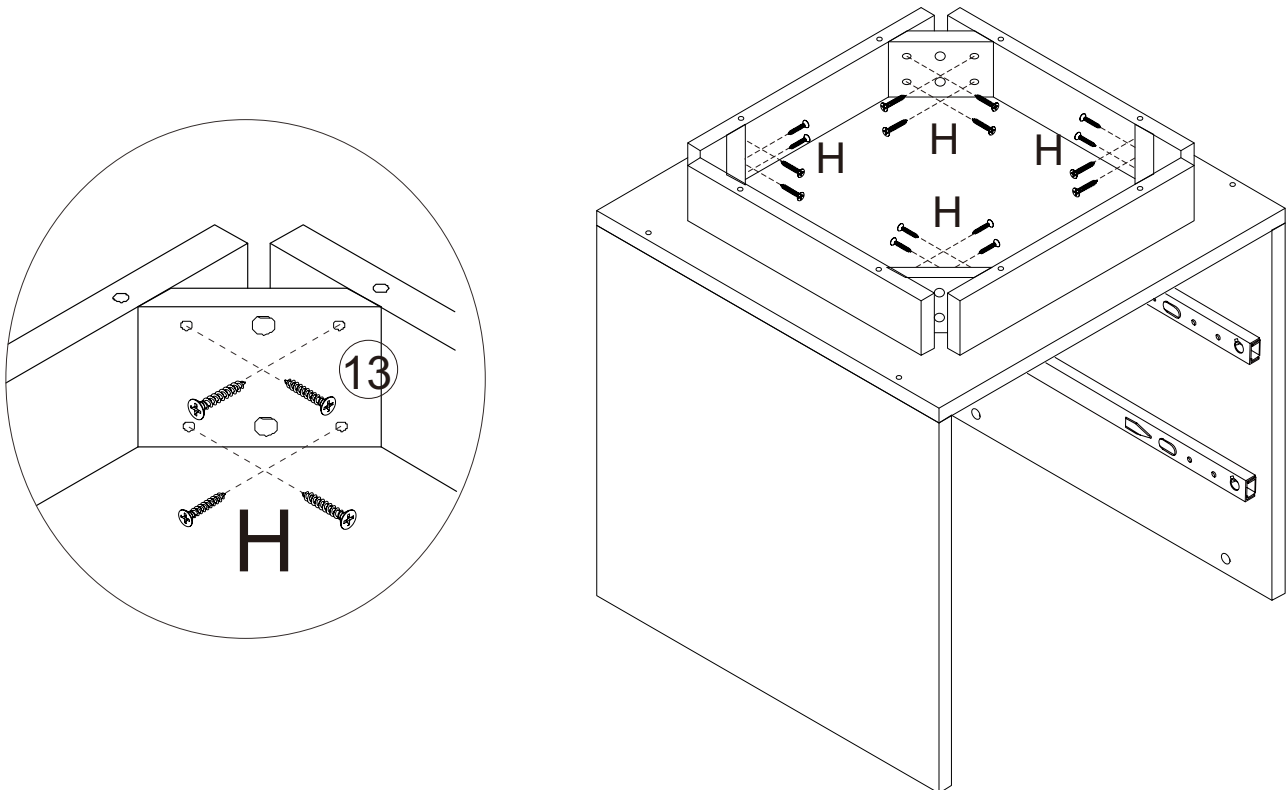
Cx4



Gx4

Fasten batten 11 to board 4 with dowel C and screw G

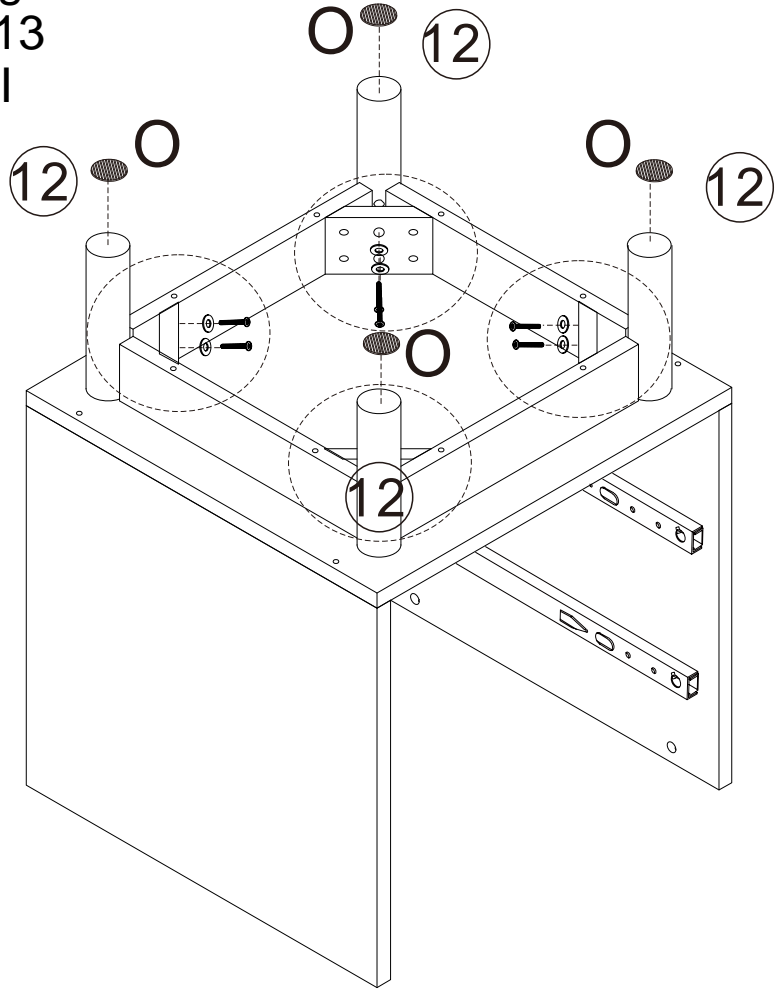
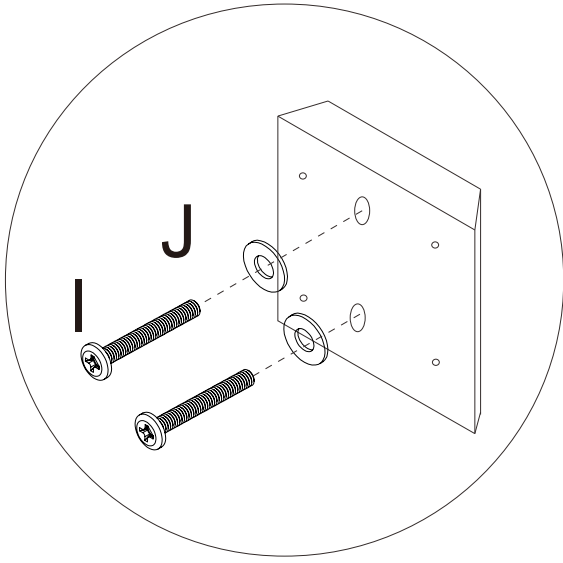
6






Hx16

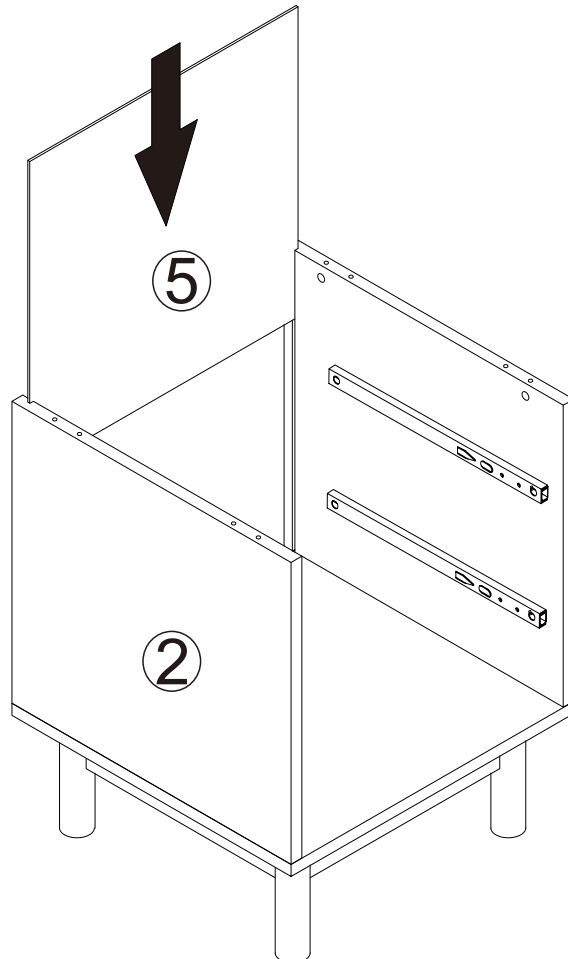
Connect board 13 to 11 with screw H

7 Stick non-slip mat O to leg 12 and fasten legs to board 13 with washer J and screw I



	Ix8
	Jx8
	Ox4

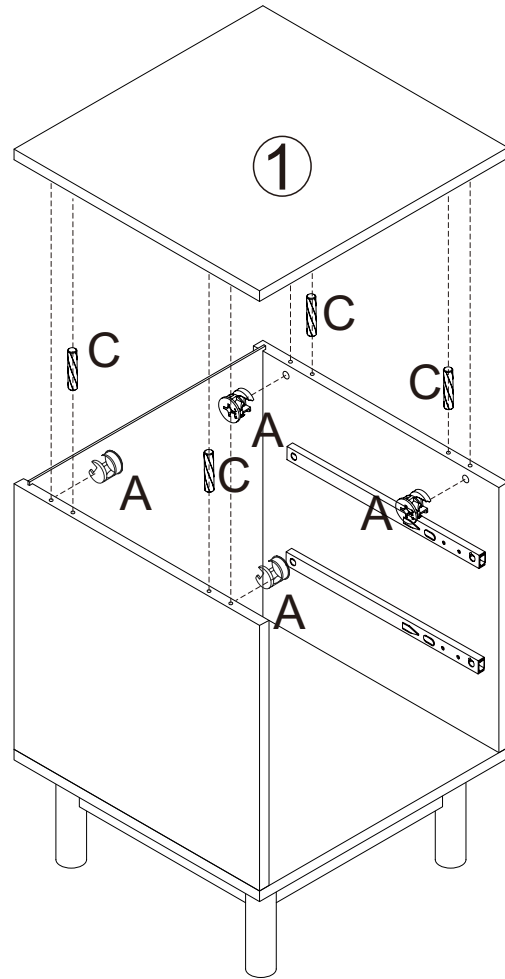
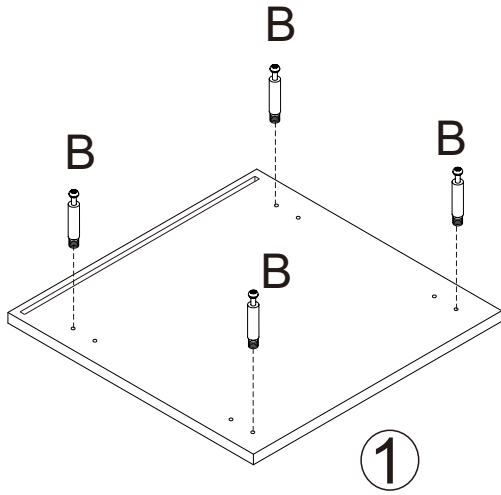
8






Slide board 5 into the grooves of 2&3&4

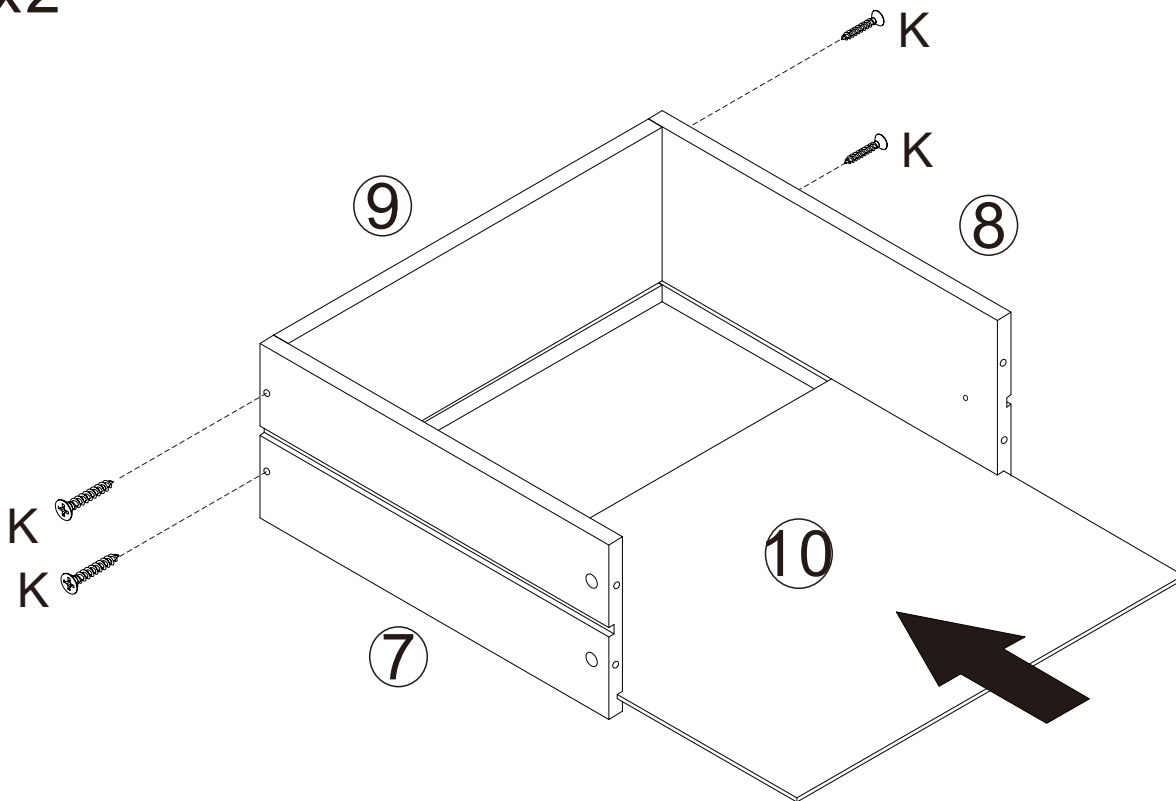
9

Screw cam bolt B into board 1 and connect board 1 to 2&3 with dowel C and cam lock A



	Ax4
	Bx4
	Cx4

10 x2

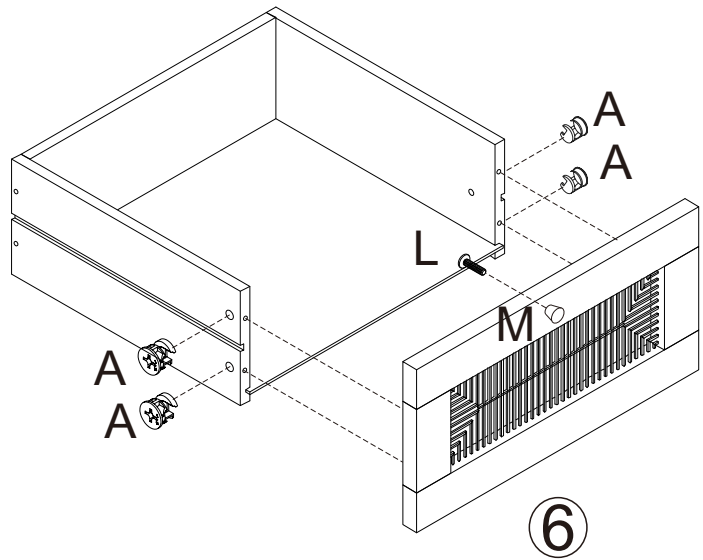
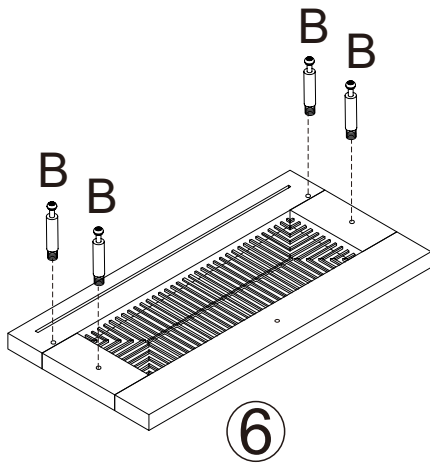


Fasten board 9 to 7&8 with screw K and slide board 10 into the grooves of 7&8&9

	Kx8
--	-----

11 x2

Screw cam bolt B into board 6 and fix handle M to board 6 with screw L.
Fasten board 6 to 7&8 with cam lock A



Ax8



Bx8



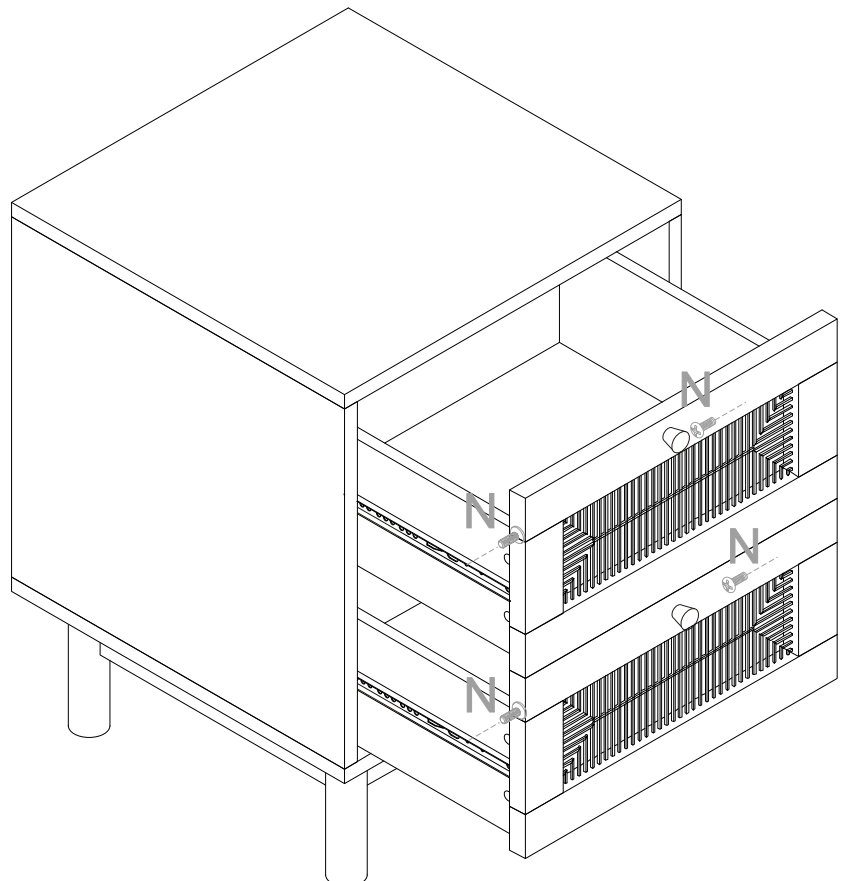
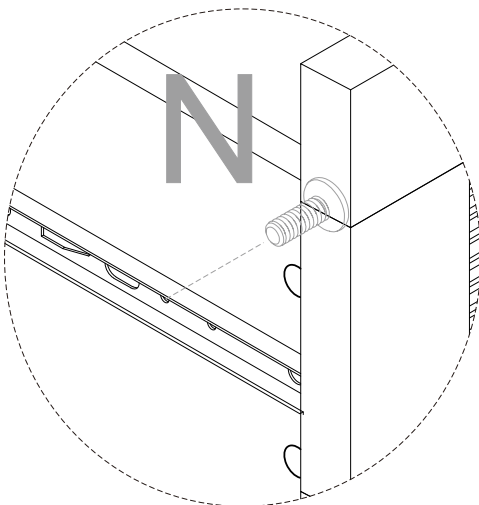
Lx2



Mx2

12

Stretch out drawer track E, and lock E to drawers with screw N



Nx4