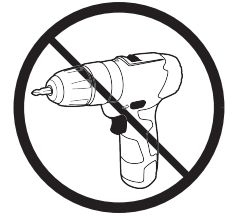
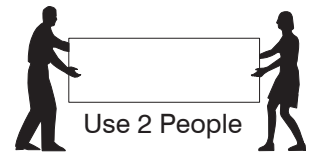
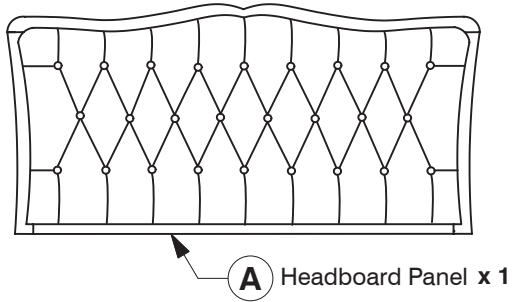


# 9766 Full / Queen Headboard

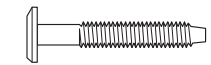
Assembly Instructions

WI-0622

## 1 Parts List



## 2 Hardware List



**1** M6 x 35mm JCB x 10



**2** Spring Washer x 10



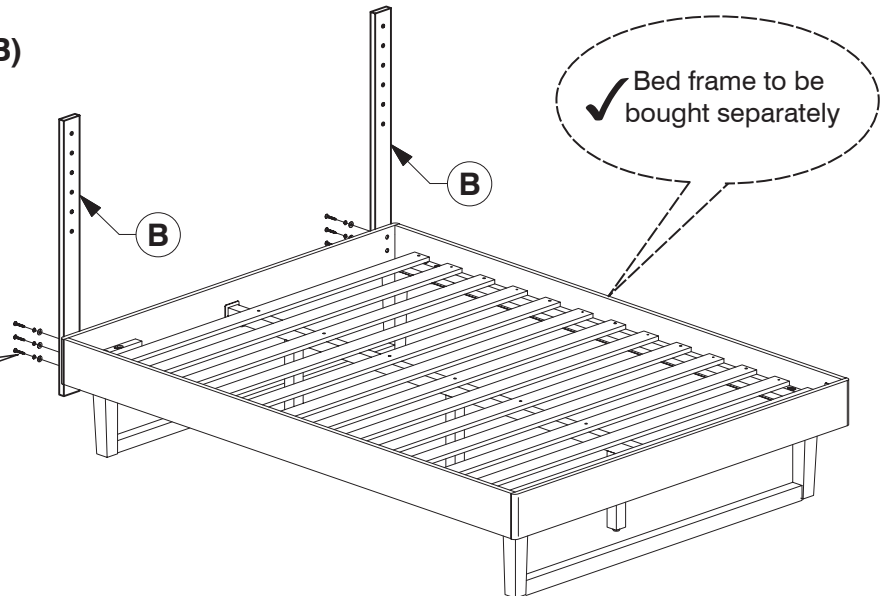
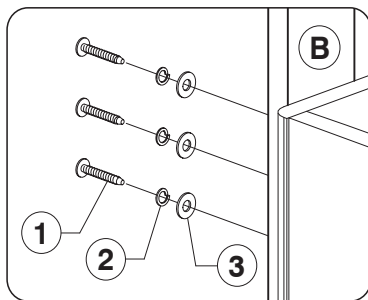
**3** Flat Washer x 10



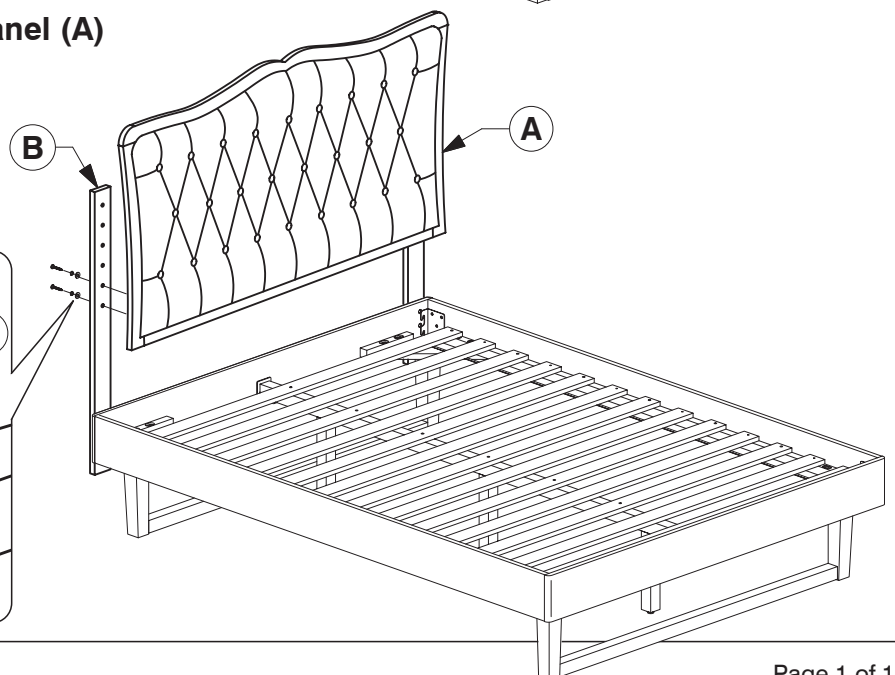
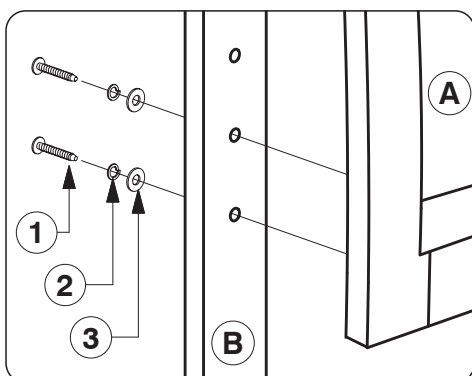
**4** Allen Key x 1

Note: Do not assemble using power tools. This can cause the bolts to be overtightened.

## 3 Assemble the Support Bars (B) to the Headboard Panel (A).



## 4 Assemble the Headboard Panel (A) to the Support Bars (B).

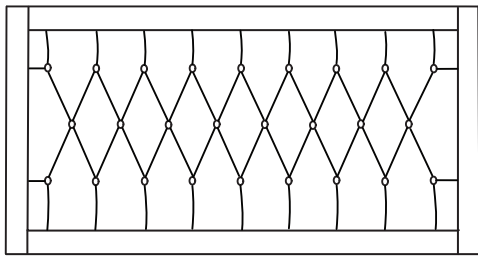


# 9765 Full / Queen Headboard

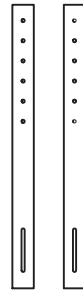
Assembly Instructions

WI-0622

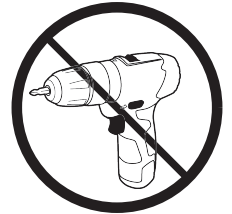
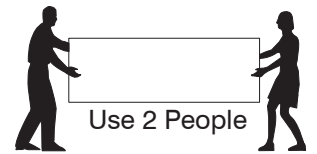
## 1 Parts List



**A**  
Headboard Panel  
x 1



**B**  
Support Bars  
x 2



## 2 Hardware List



**1** M6 x 35mm JCB  
x 10



**2** Spring Washer  
x 10



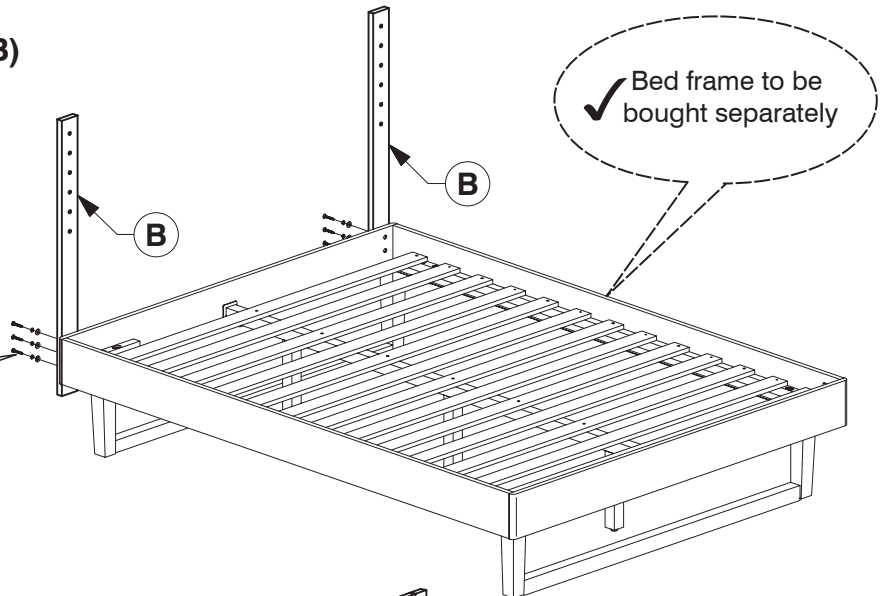
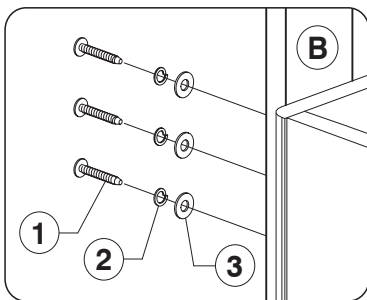
**3** Flat Washer  
x 10



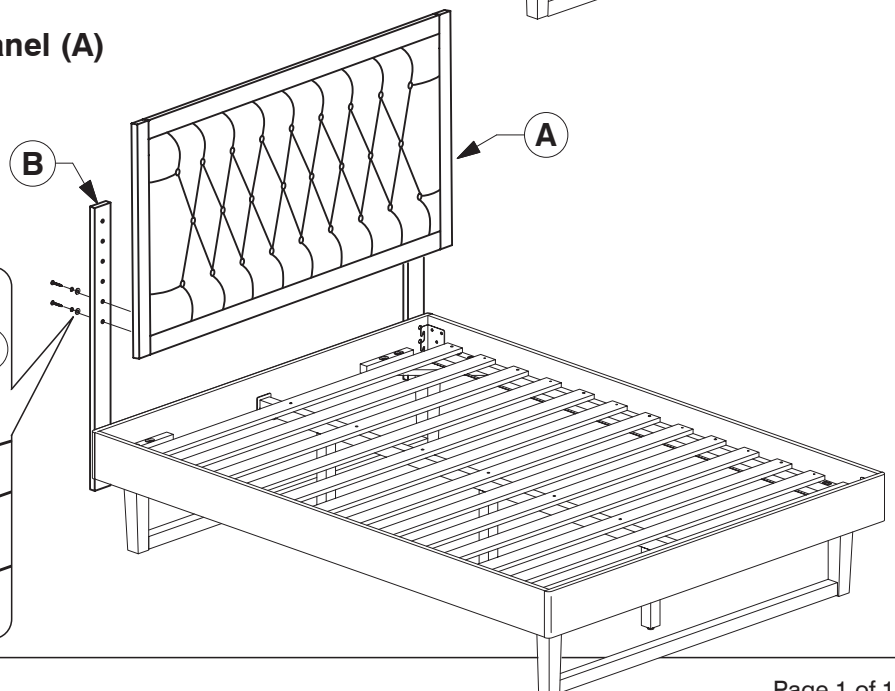
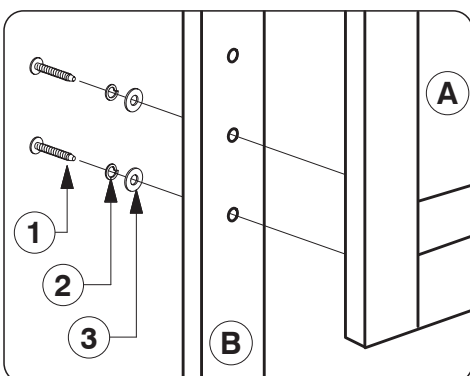
**4** Allen Key  
x 1

Note: Do not assemble using power tools. This can cause the bolts to be overtightened.

## 3 Assemble the Support Bars (B) to the Headboard Panel (A).



## 4 Assemble the Headboard Panel (A) to the Support Bars (B).

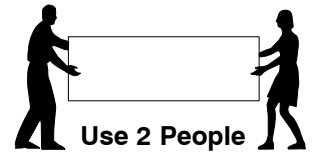
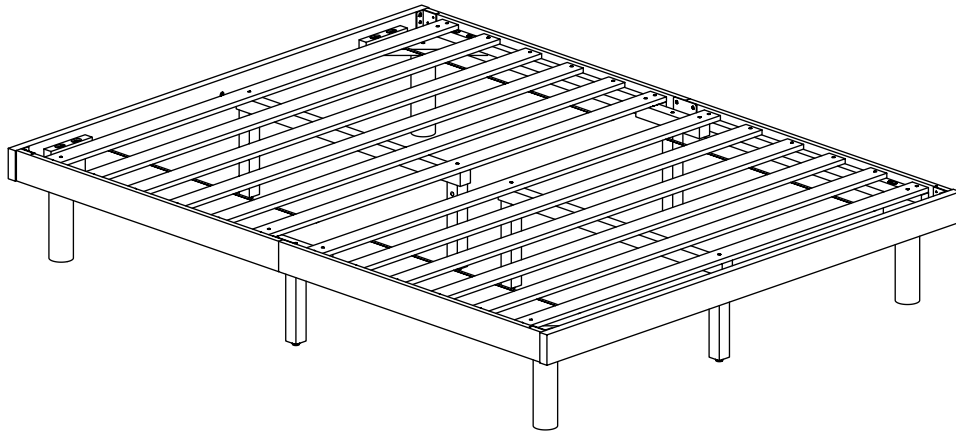


# 0082 S Queen Bed

## Assembly Instructions

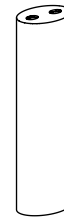
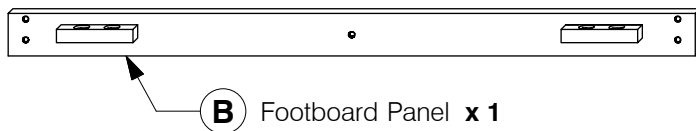
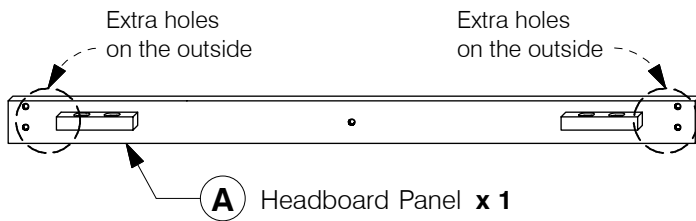
WI-0421

### 1 Assembled View



**Note:** Do not assemble using power tools. This can cause the bolts to be overtightened

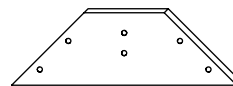
### 2 Parts List



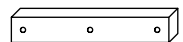
**F** Post x 4



**G** Support Leg x 6



**H** Support Panel x 4



**J** Support Bar x 2



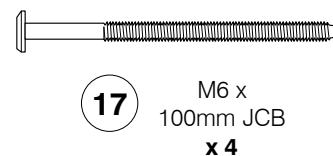
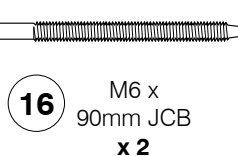
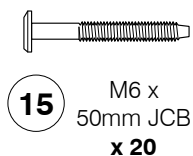
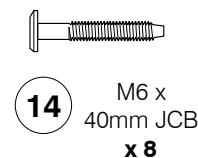
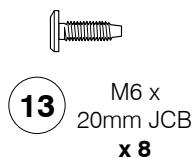
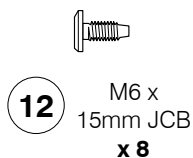
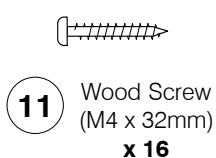
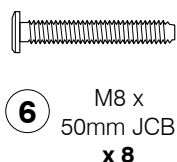
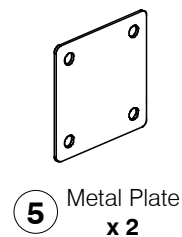
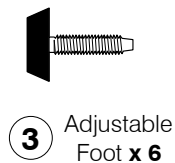
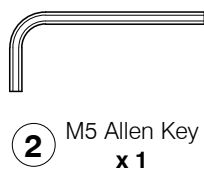
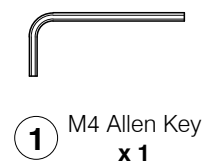
**K** Set of Bed Slats x 2

# 0082 S Queen Bed

## Assembly Instructions

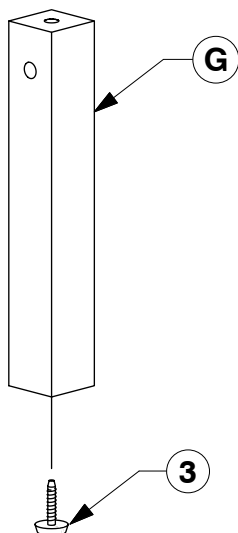
WI-0421

### 3 Hardware List



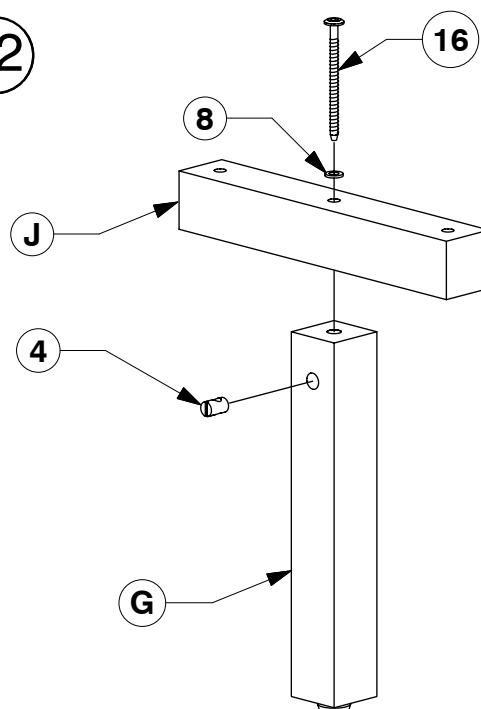
### 4 Fit the Adjustable foot to the bottom of the Support Legs (G).

x6



### 5 Fit the Support Bar (J) to the Support Leg (G).

x2



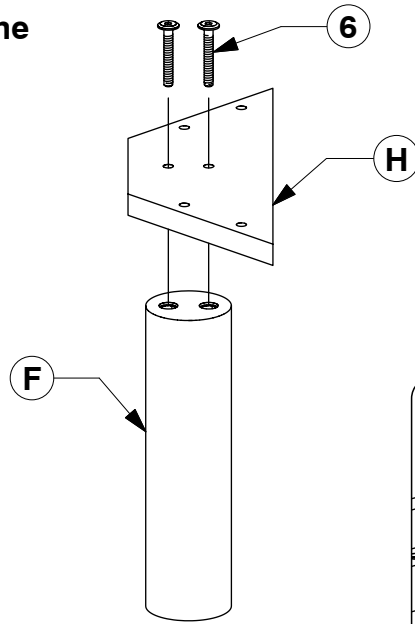
# 0082 S Queen Bed

## Assembly Instructions

WI-0421

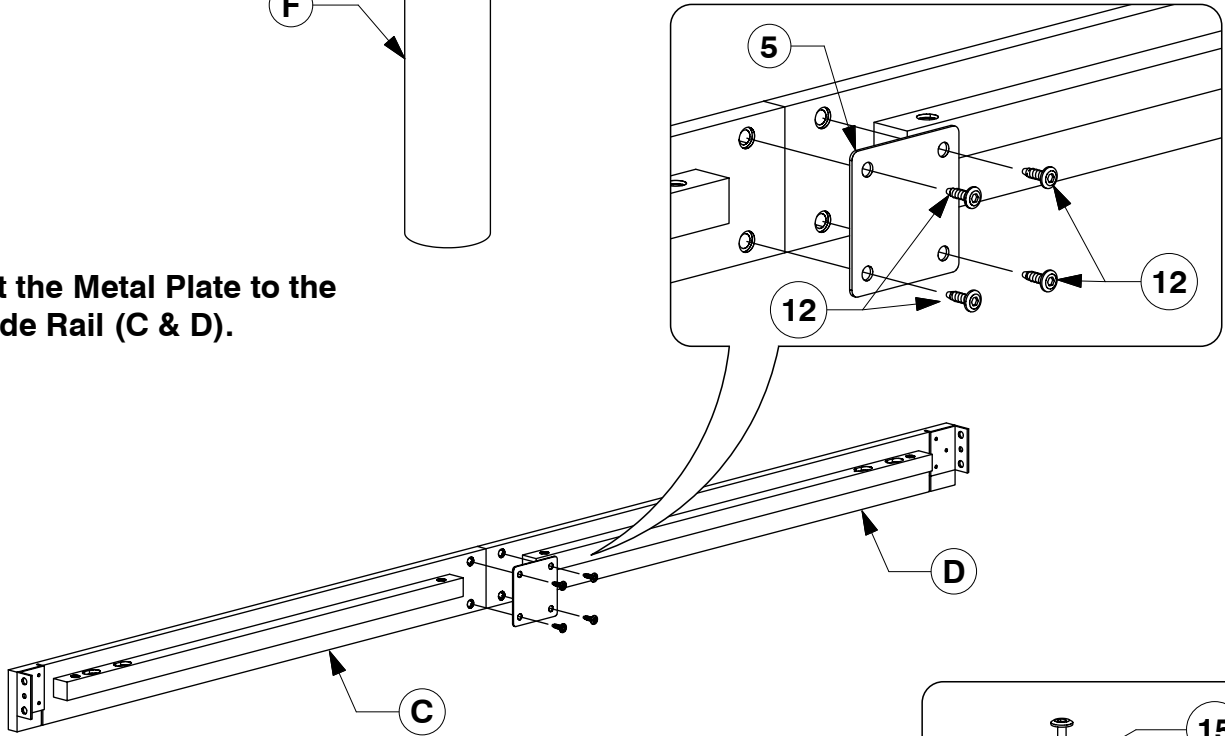
- 6** Fit the Post (F) to the Support Panel (H).

x4



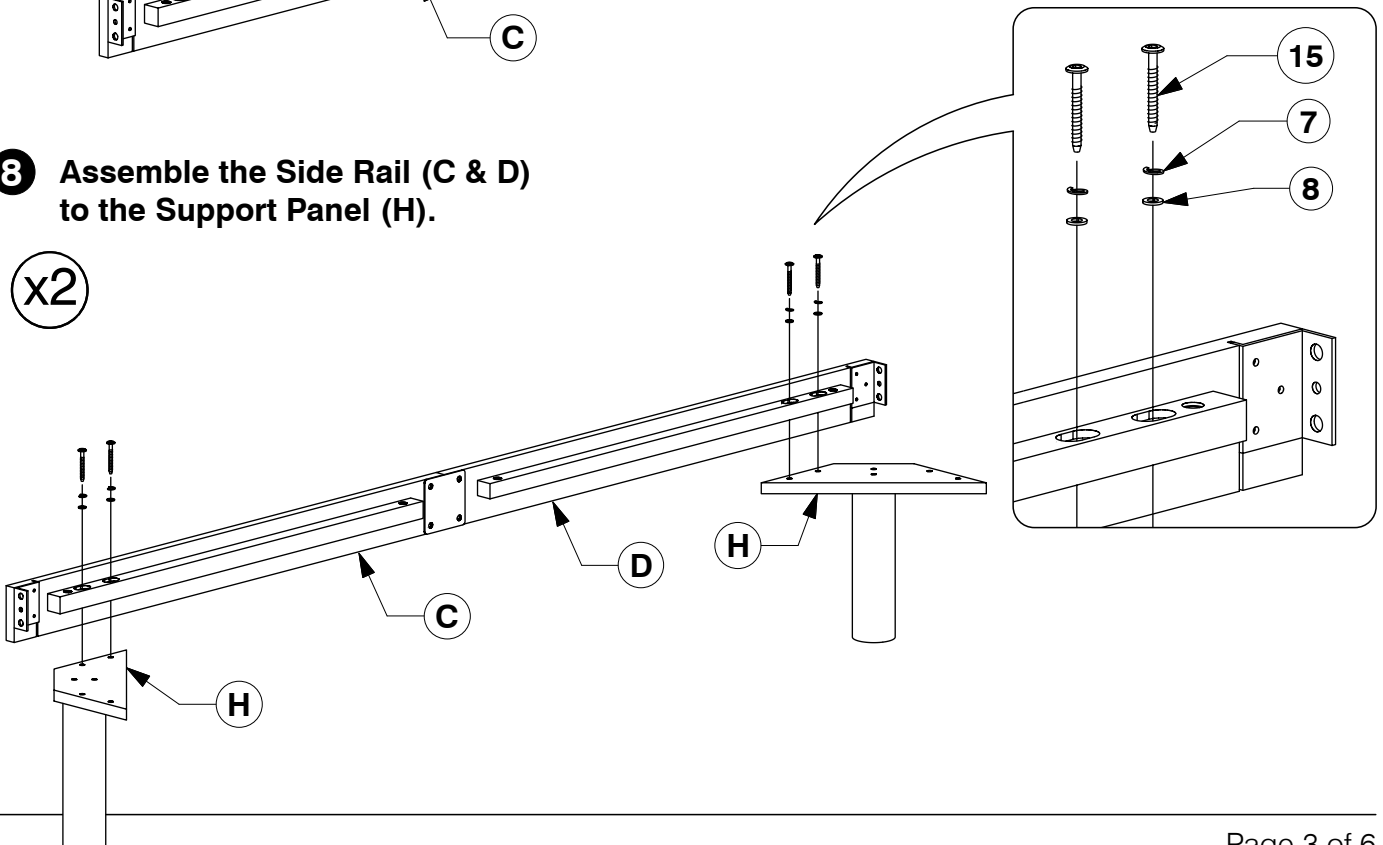
- 7** Fit the Metal Plate to the Side Rail (C & D).

x2



- 8** Assemble the Side Rail (C & D) to the Support Panel (H).

x2

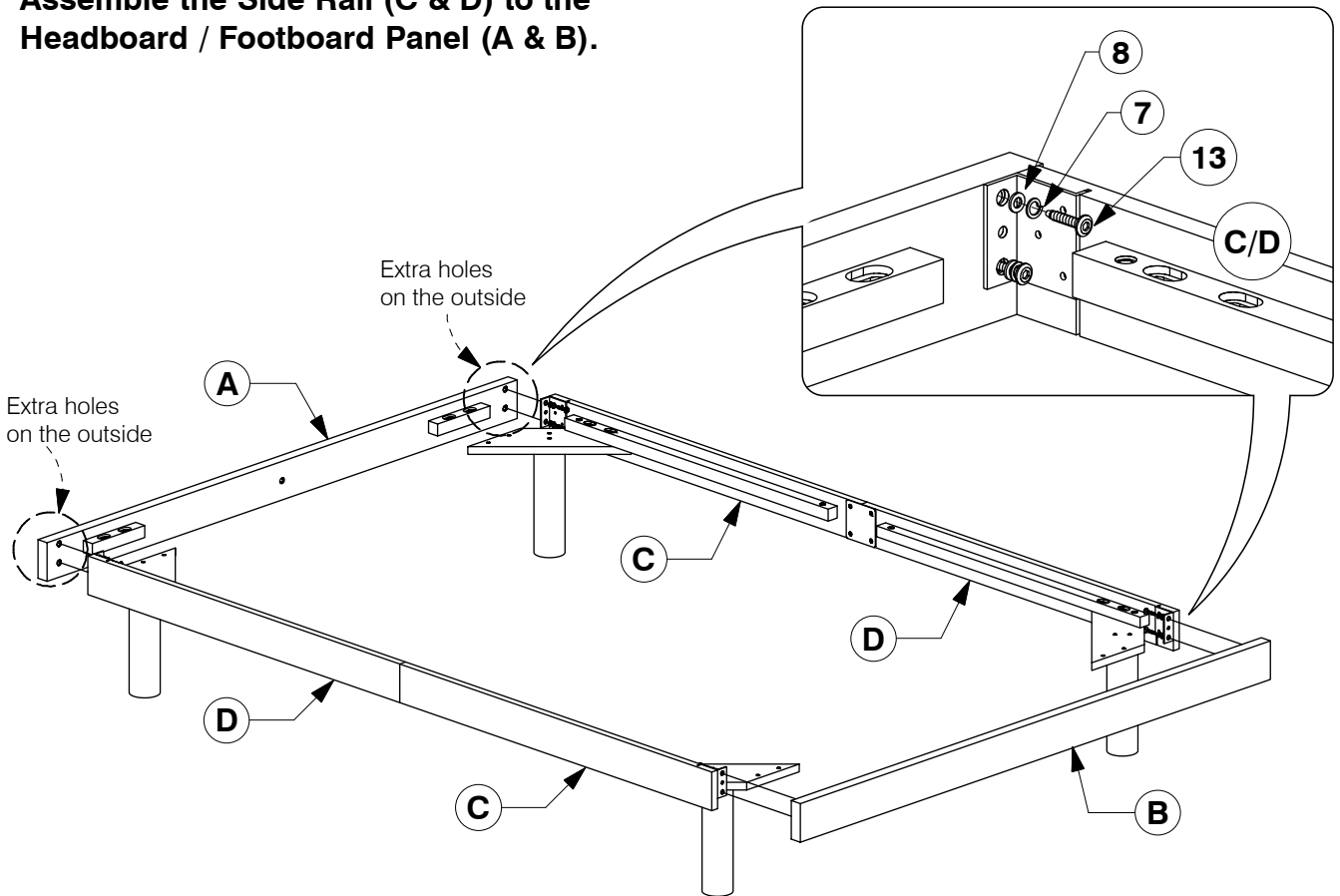


# 0082 S Queen Bed

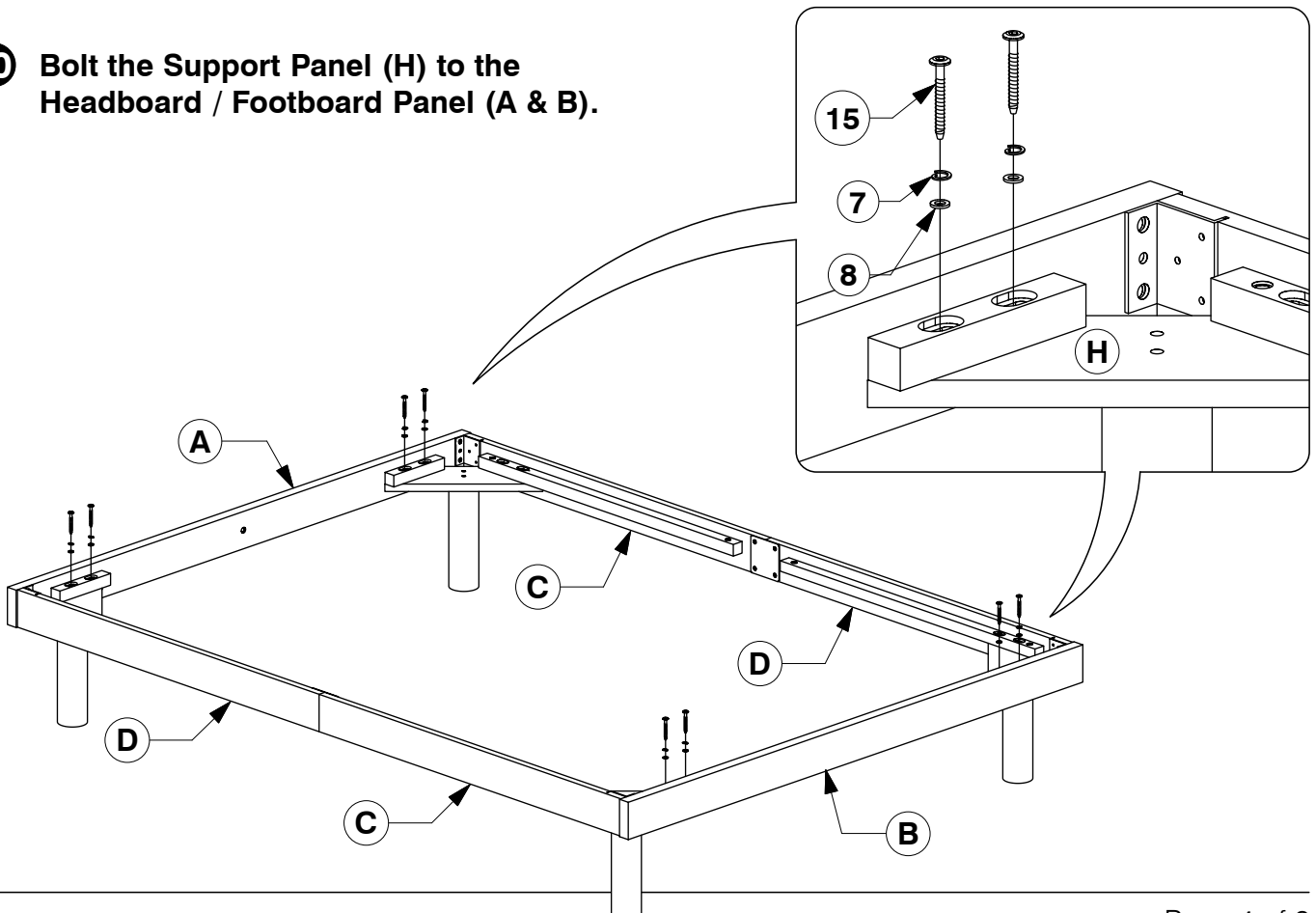
## Assembly Instructions

WI-0421

- 9 Assemble the Side Rail (C & D) to the Headboard / Footboard Panel (A & B).**



- 10 Bolt the Support Panel (H) to the Headboard / Footboard Panel (A & B).**



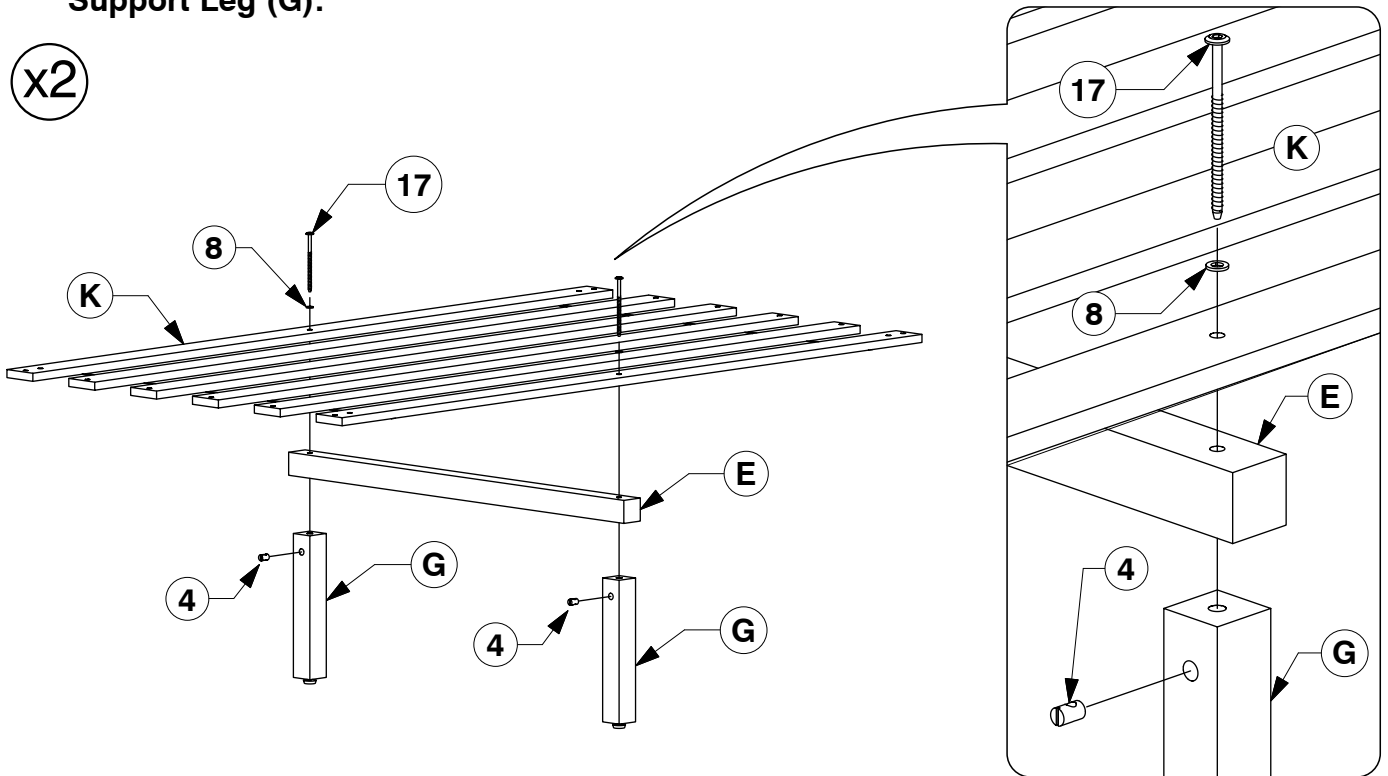
# 0082 S Queen Bed

## Assembly Instructions

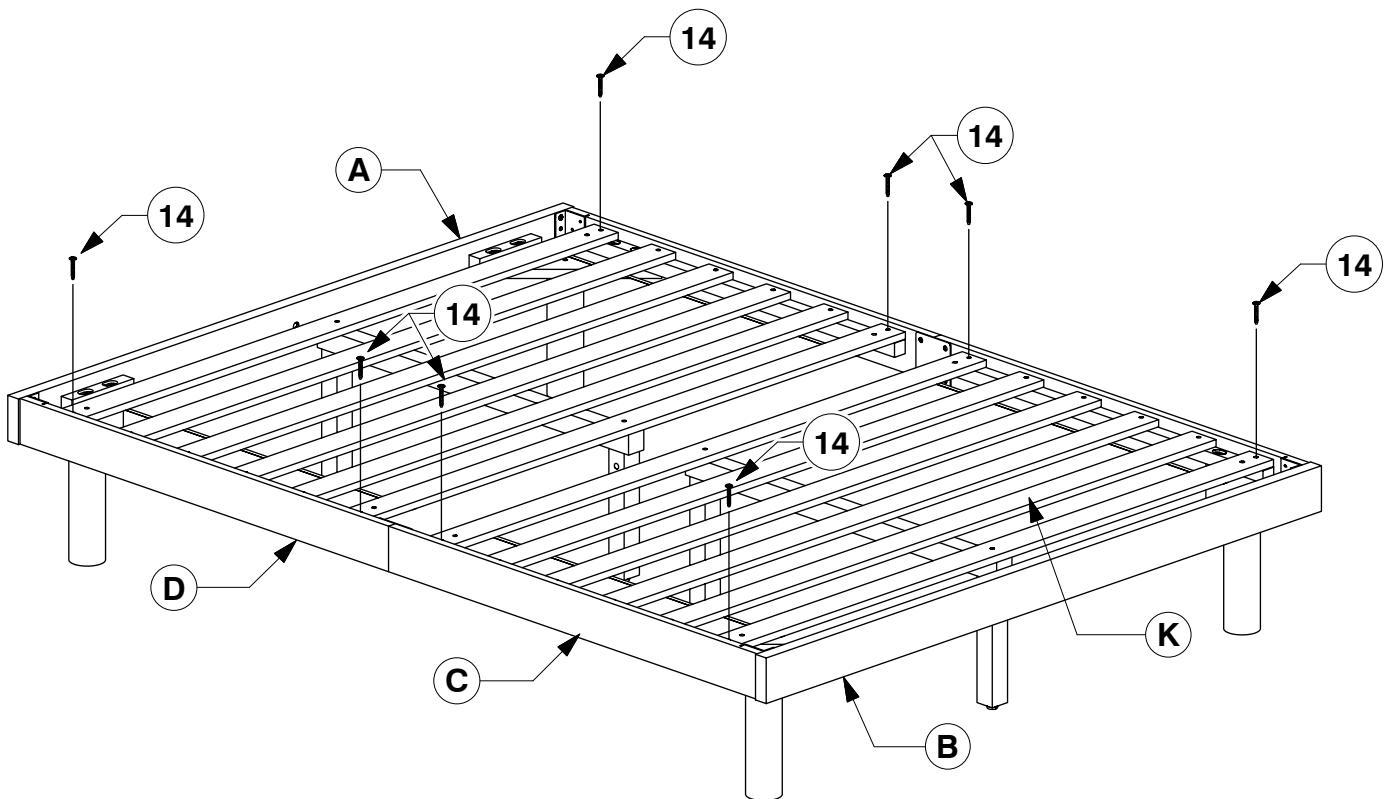
WI-0421

- 11** Fit the Slats (K) to the Long Support (E) & Support Leg (G).

x2



- 12** Bolt the Bed Slats (K) to the Side Rail (C & D).





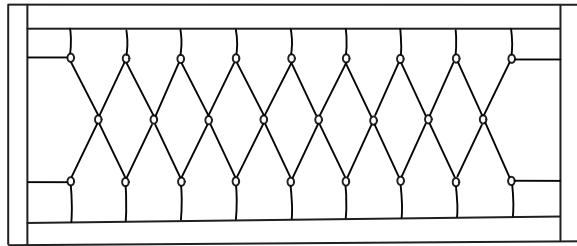


# 9765 King Headboard

Assembly Instructions

WI-0622

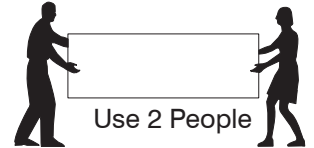
## 1 Parts List



**A**  
Headboard Panel  
x 1



**B**  
Support Bars  
x 2



## 2 Hardware List



**1** M6 X 35mm JCB  
x 10



**2** Spring Washer  
x 10



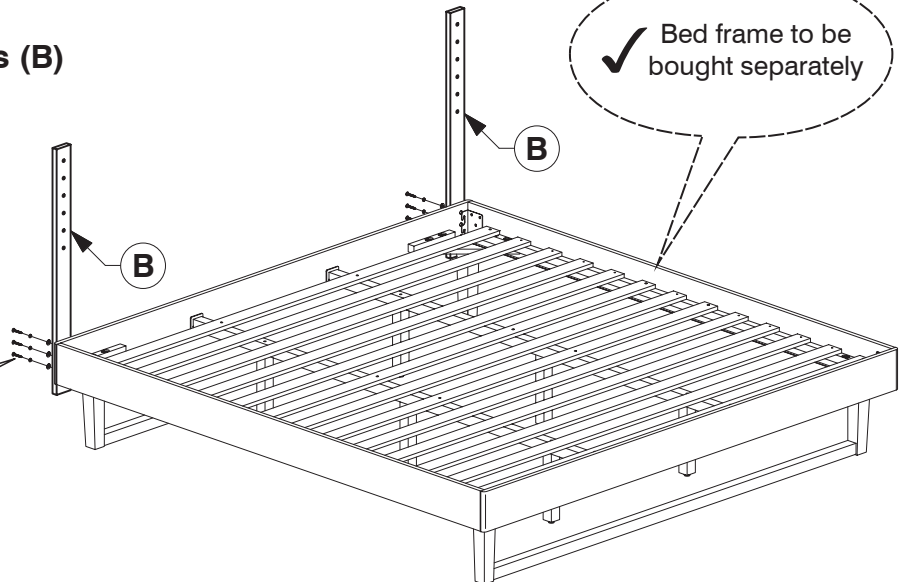
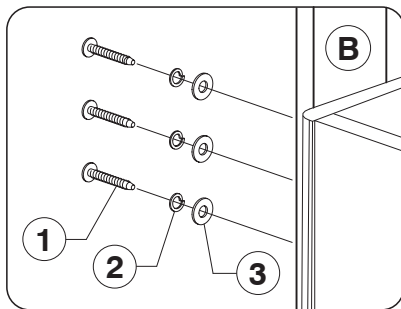
**3** Flat Washer  
x 10



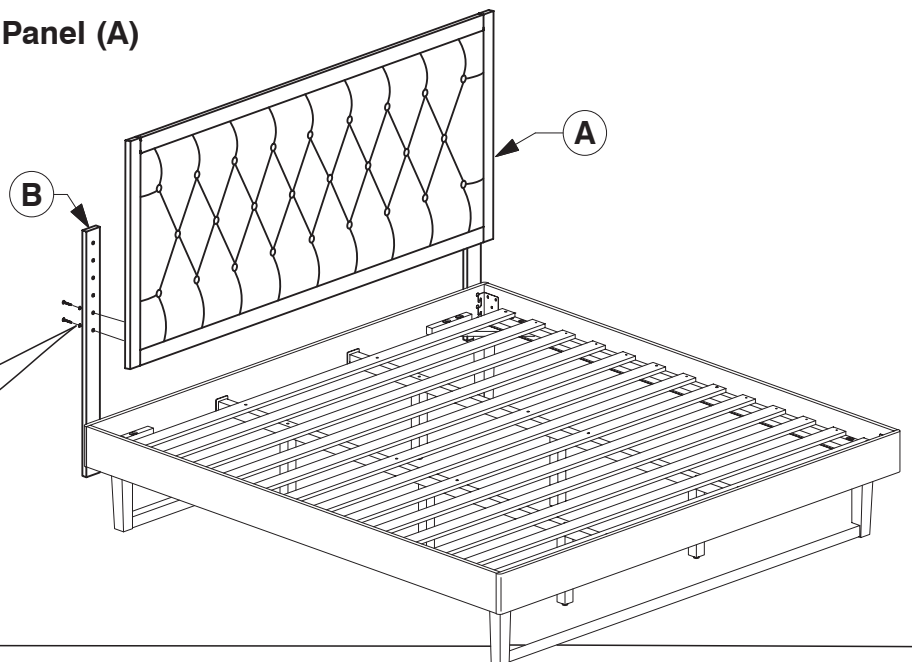
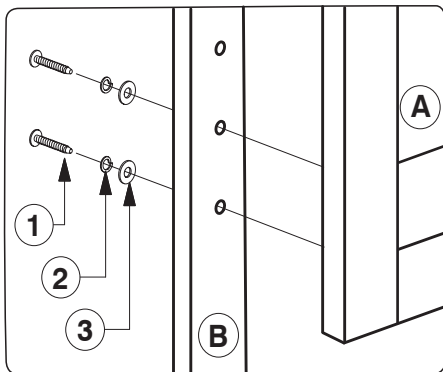
**4** Allen Key  
x 1

Note: Do not assemble using power tools. This can cause the bolts to be overtightened

## 3 Assemble the Support Bars (B) to the Headboard Panel.



## 4 Assemble the Headboard Panel (A) to the Support Bars (B).

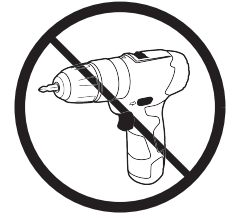
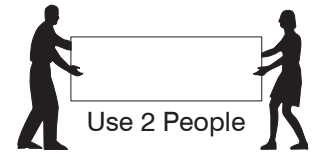
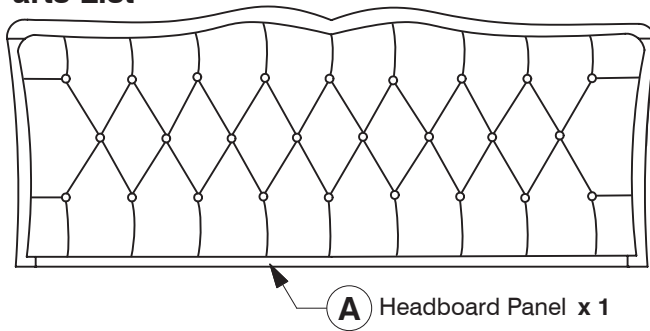


# 9766 King Headboard

Assembly Instructions

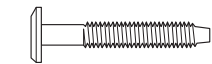
WI-0622

## 1 Parts List



Note: Do not assemble using power tools. This can cause the bolts to be overtightened.

## 2 Hardware List



1 M6 X 35mm JCB  
x 10



2 Spring Washer  
x 10

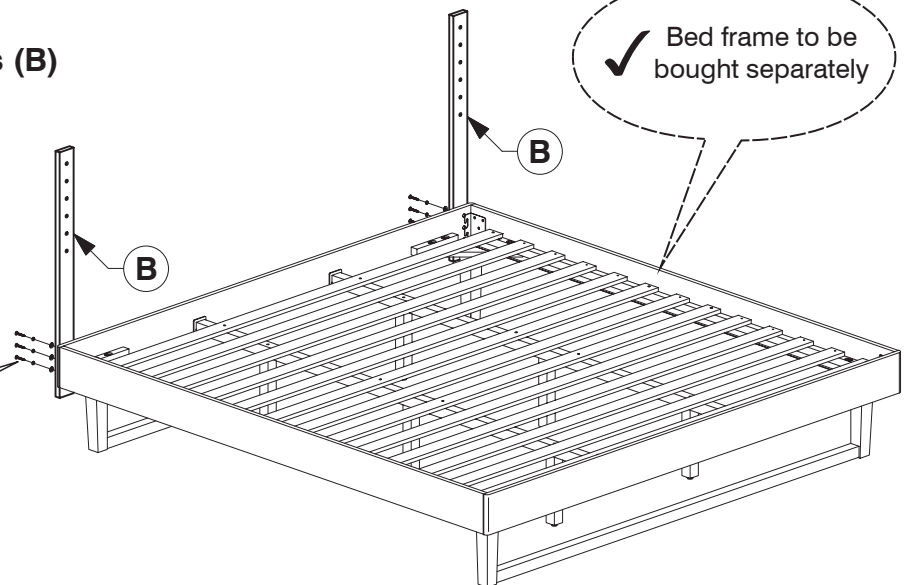
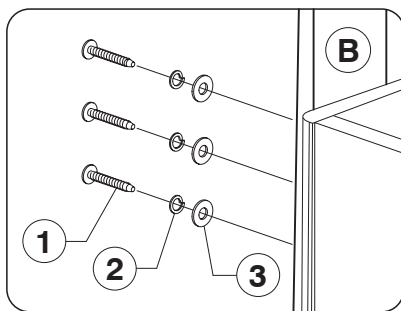


3 Flat Washer  
x 10



4 Allen Key  
x 1

## 3 Assemble the Support Bars (B) to the Headboard Panel.



## 4 Assemble the Headboard Panel (A) to the Support Bars (B).

