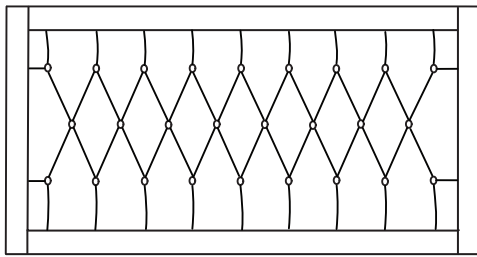


# 9765 Full / Queen Headboard

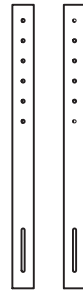
Assembly Instructions

WI-0622

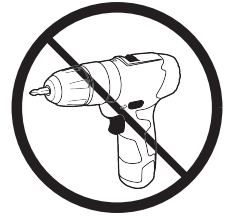
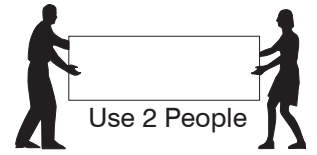
## 1 Parts List



**A**  
Headboard Panel  
x 1



**B**  
Support Bars  
x 2



## 2 Hardware List



**1** M6 x 35mm JCB  
x 10



**2** Spring Washer  
x 10



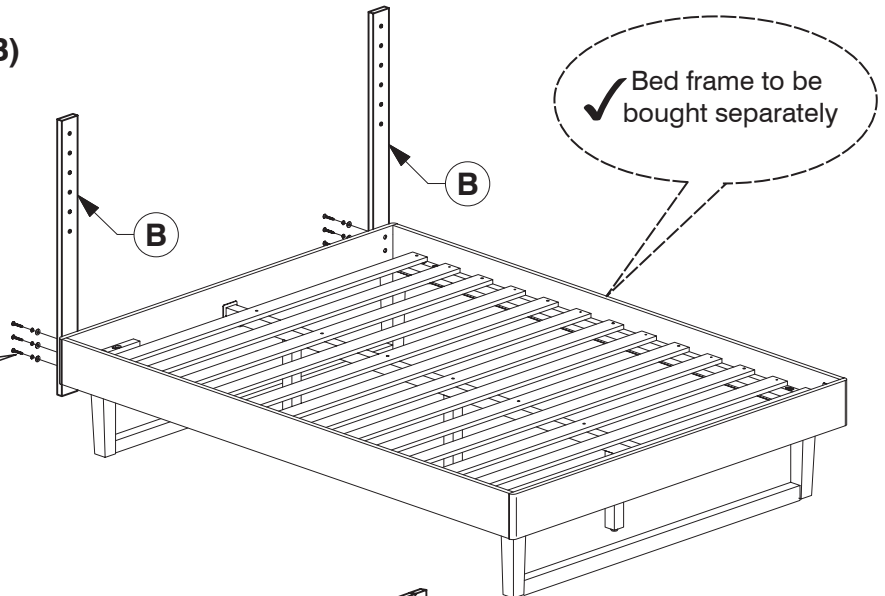
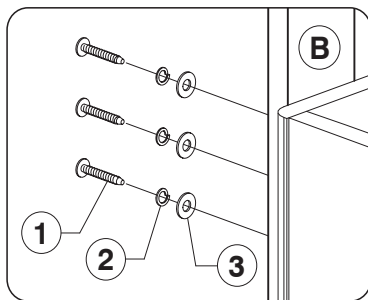
**3** Flat Washer  
x 10



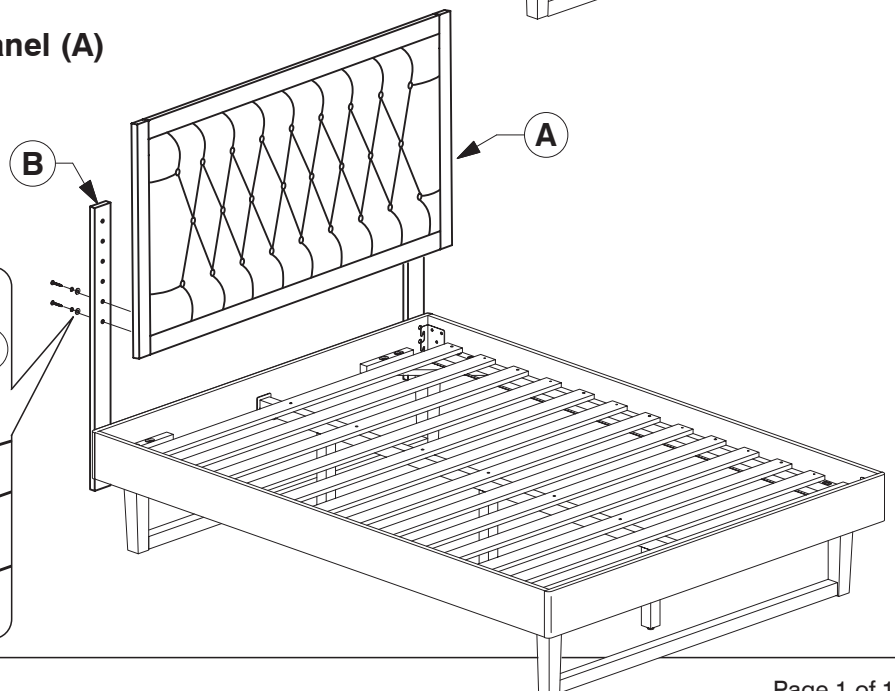
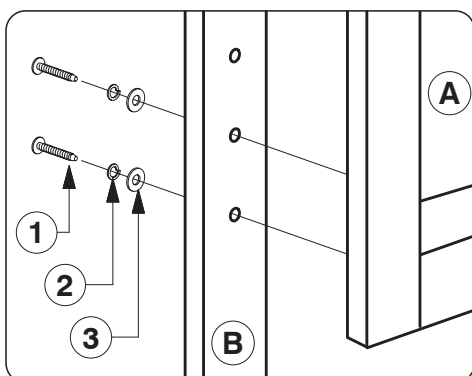
**4** Allen Key  
x 1

Note: Do not assemble using power tools. This can cause the bolts to be overtightened.

## 3 Assemble the Support Bars (B) to the Headboard Panel (A).



## 4 Assemble the Headboard Panel (A) to the Support Bars (B).

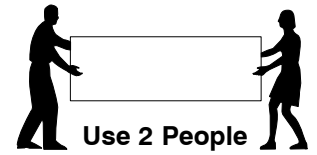
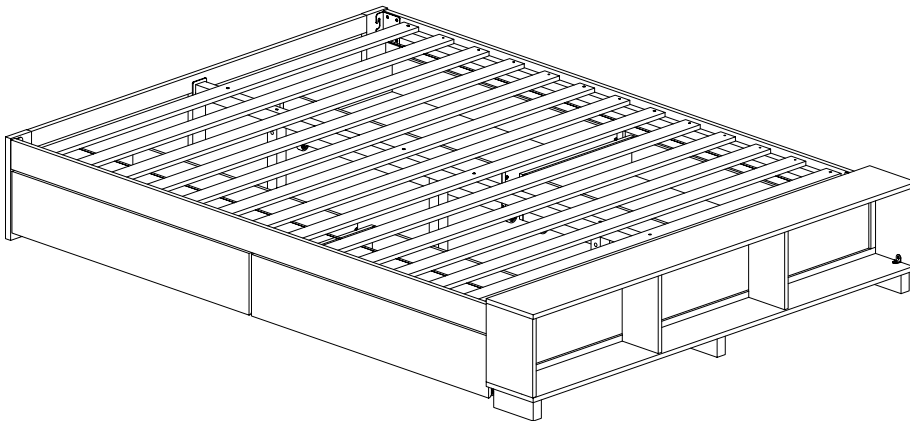


# 6001-1S 4D Queen Bed

## Assembly Instructions

WII-0919

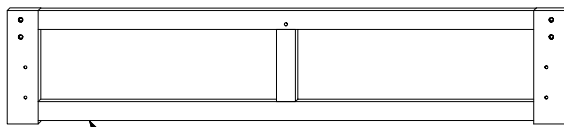
### 1 Assembled View



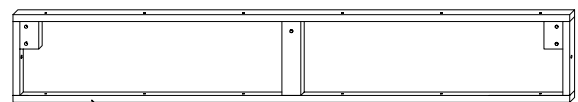
**Note:** Do not assemble using power tools. This can cause the bolts to be overtightened

### 2 Parts List

Parts in Box A:



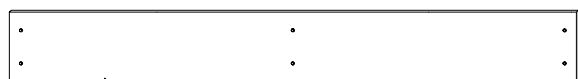
**A** Headboard Panel x 1



**C** Footboard Frame x 1



**B** Footboard Top Panel x 1



**D** Footboard Bottom Panel x 1



**E** Footboard Side Panel x 2



**F** Footboard Divider x 2



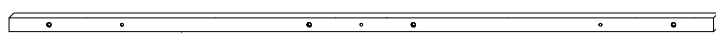
**G** Footboard Foot x 3



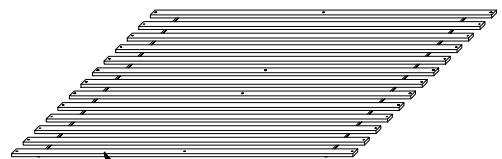
**H** Support Leg x 3



**J** Side Rail x 2



**K** Long Support x 1



**L** Set of Bed Slats x 1

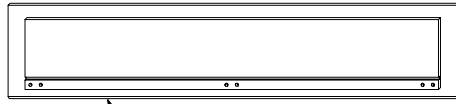
# 6001-1S 4D Queen Bed

## Assembly Instructions

WII-0919

### 2 Parts List

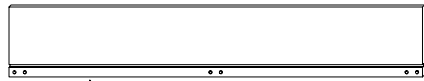
Parts in Box B:



**M** Drawer Face x 4



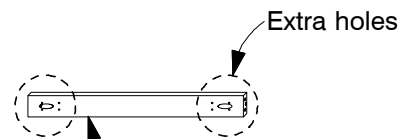
**N** Drawer Bottom x 4



**O** Drawer Back x 4



**P** Drawer Side x 8

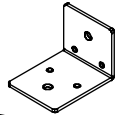


**Q** Drawer Rail x 12

### 3 Hardware List



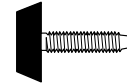
**1** M4 Allen Key x 1



**2** Center Rail Bracket x 2



**3** 'L' Bracket x 4



**4** Adjustable Foot x 3



**5** Barrel Nut x 3



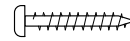
**6** Wheel x 16



**7** Wood Dowel (M8 x 30mm) x 56



**8** Wood Screw (M4 x 16mm) x 64



**9** Wood Screw (M4 x 32mm) x 86



**10** Spring Washer x 12



**11** Flat Washer x 12



**12** M6 x 15mm JCB x 12



**13** M6 x 20mm JCB x 8



**14** M6 x 30mm JCB x 2



**15** M6 x 40mm JCB x 16



**16** M6 x 60mm JCB x 6



**17** M6 x 90mm JCB x 3

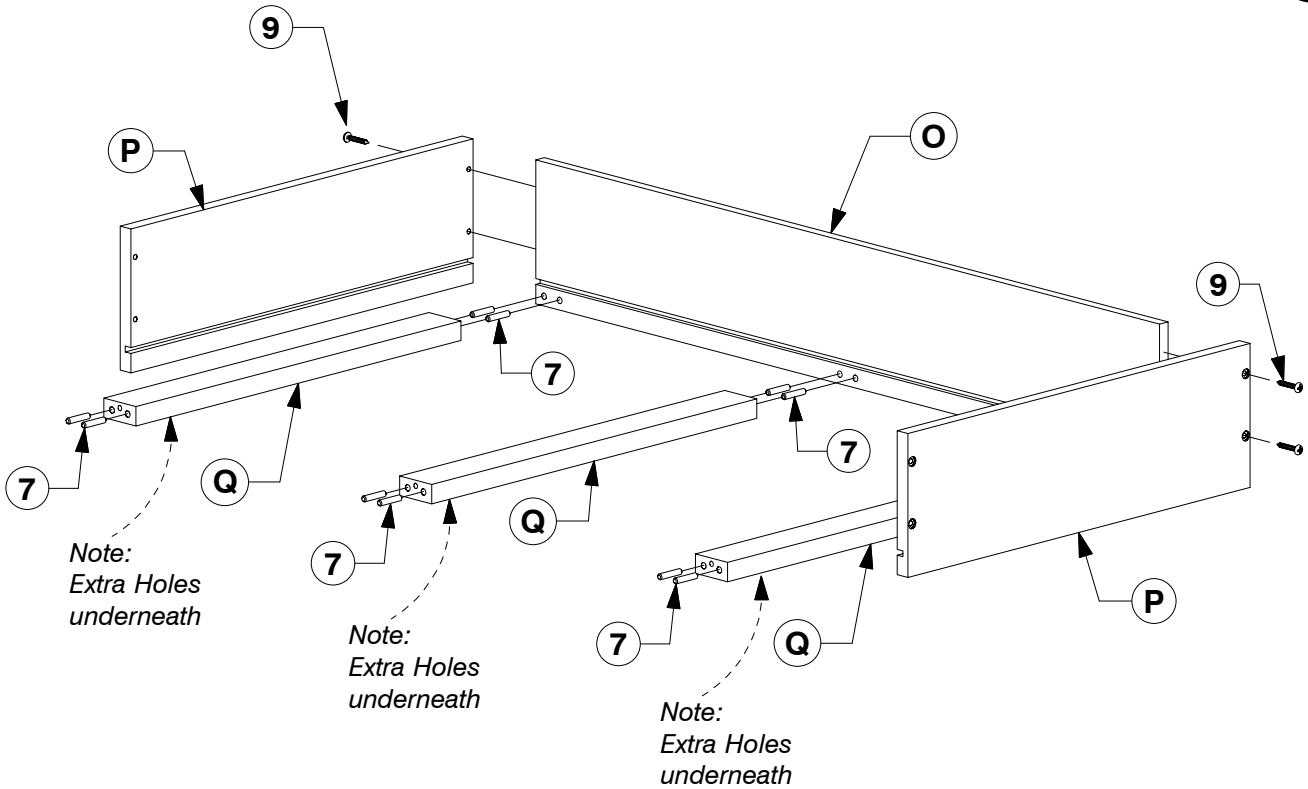
# 6001-1S 4D Queen Bed

## Assembly Instructions

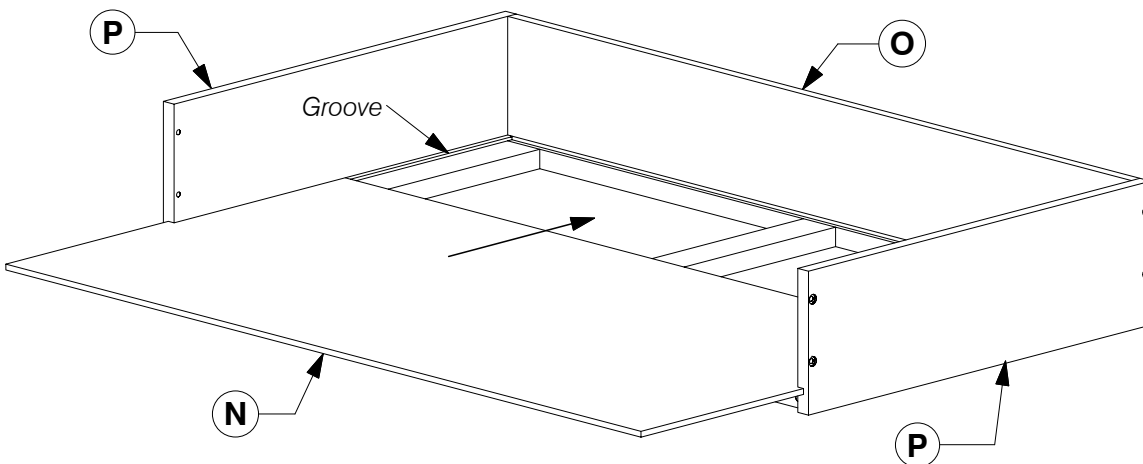
W11-0919

- 4** Assemble the Drawer Side (P) and Drawer Rail (Q) to the Drawer Back (O).

x4



- 5** Slide the Drawer Bottom (N) into the groove on the Drawer Sides (P).

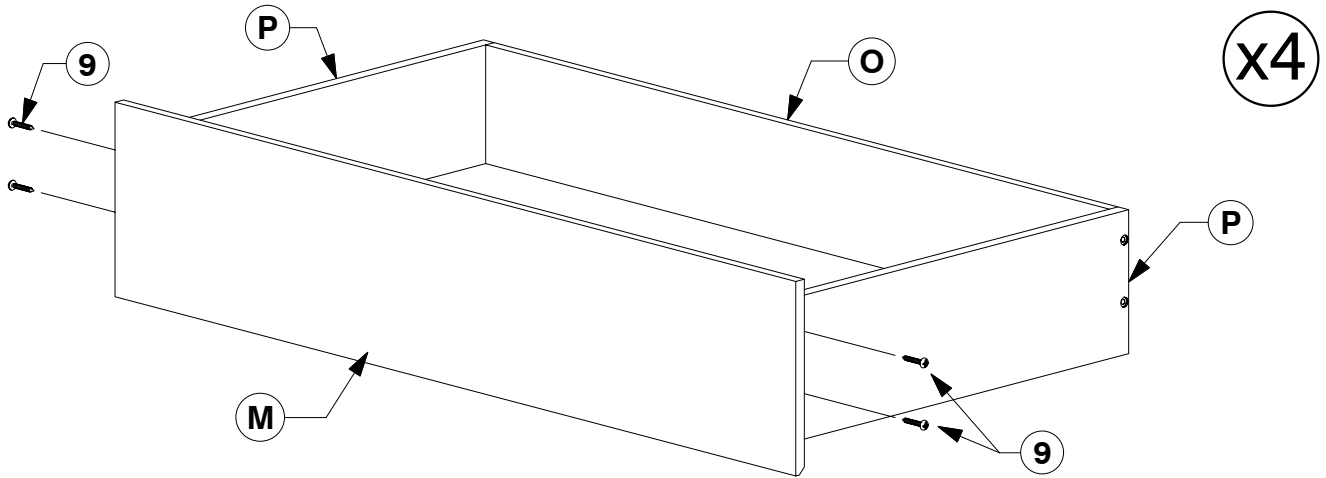


# 6001-1S 4D Queen Bed

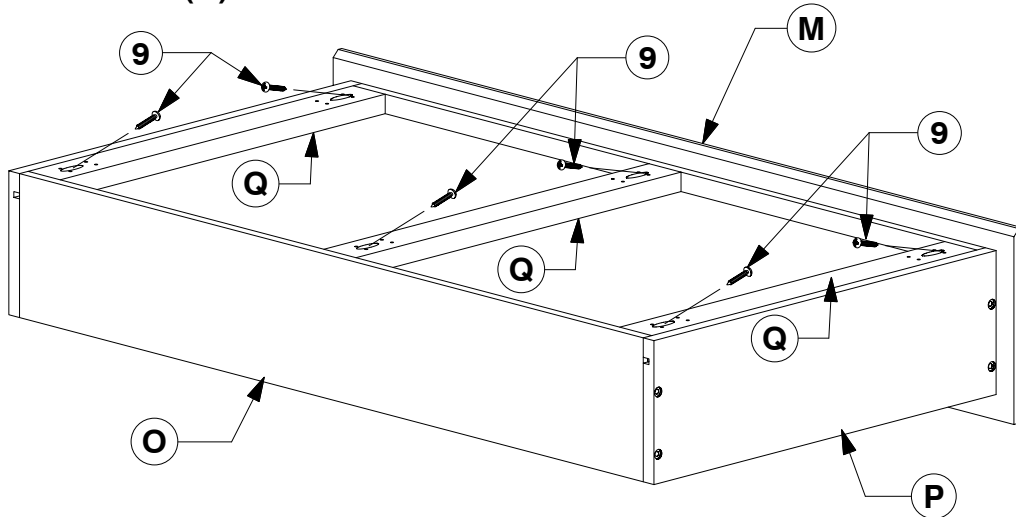
## Assembly Instructions

W11-0919

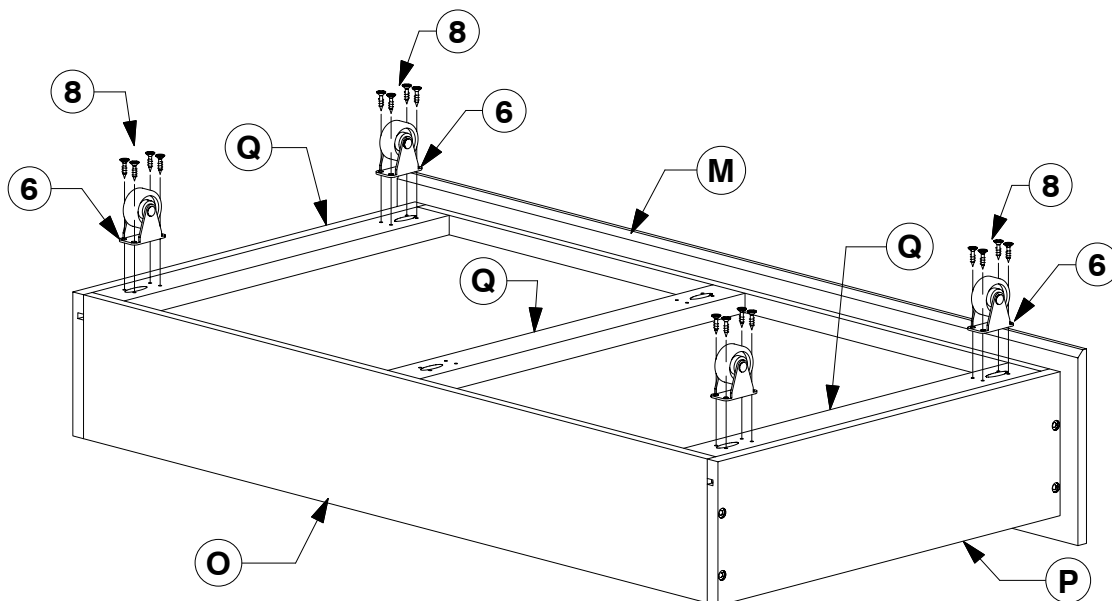
- 6** Assemble the Drawer Face (M) to the Drawer Sides (P).



- 7** Turn the Drawer over to fit angled 32mm Wood Screws (9) to the Drawer Rails (Q).



- 8** Fit the Wheels (6) to the Drawer Side Rail (Q).

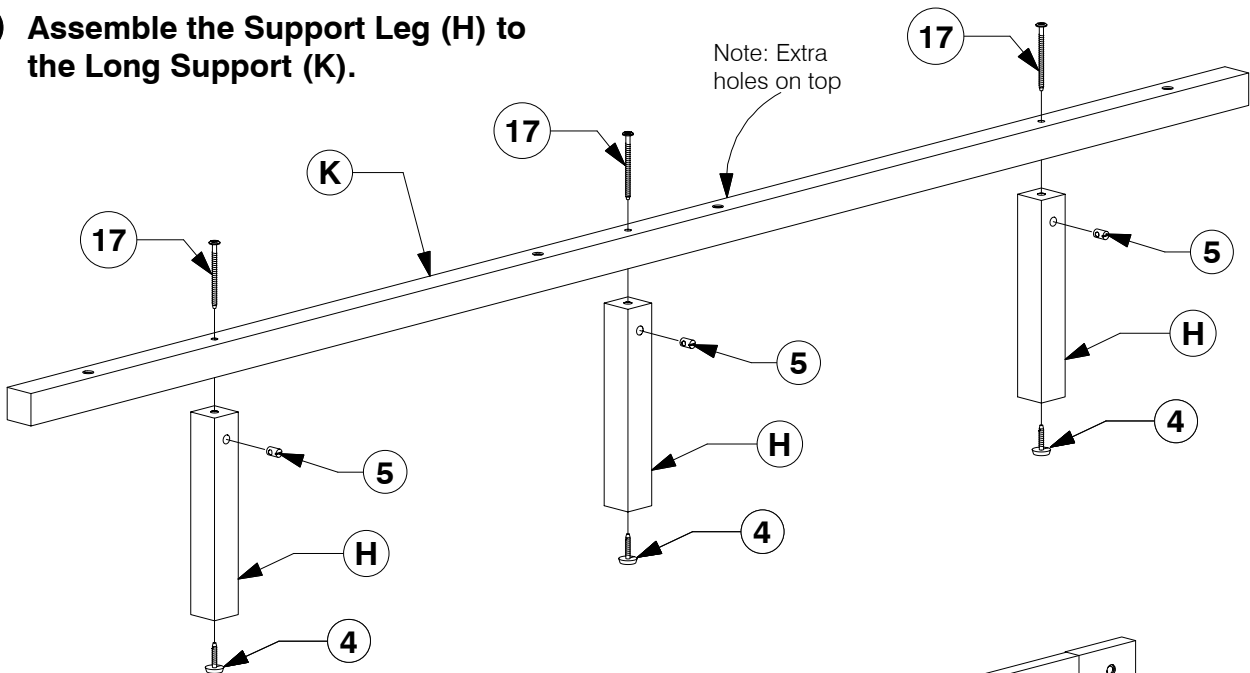


# 6001-1S 4D Queen Bed

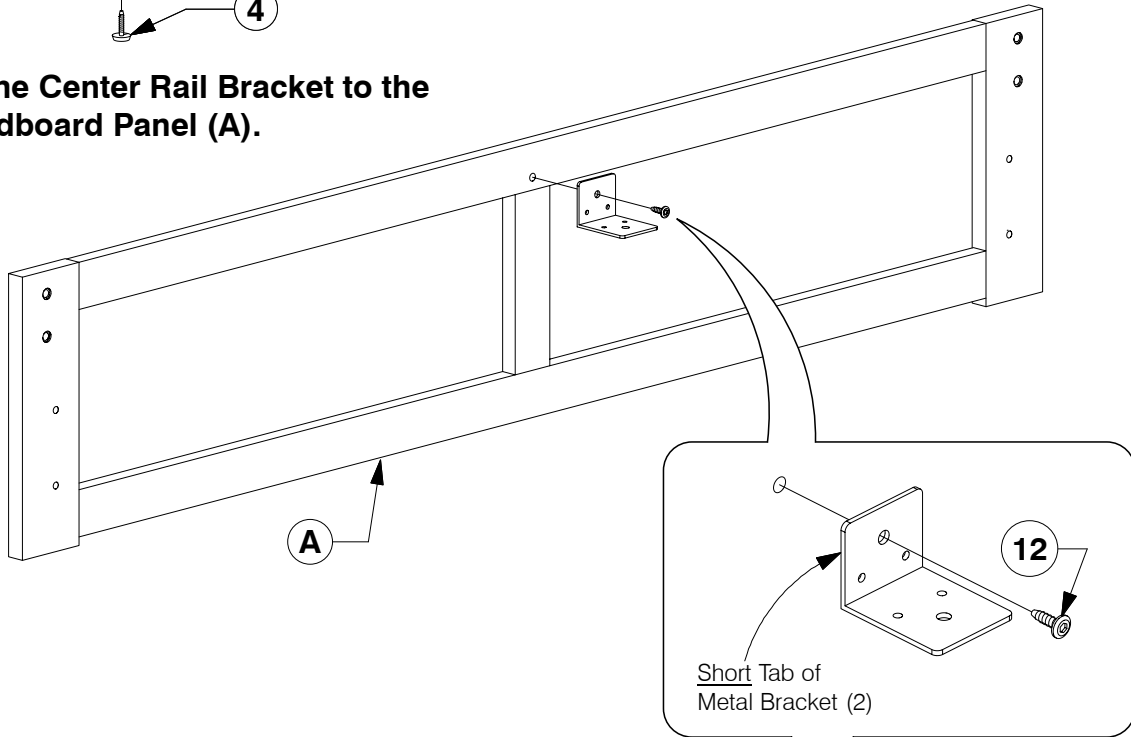
## Assembly Instructions

W11-0919

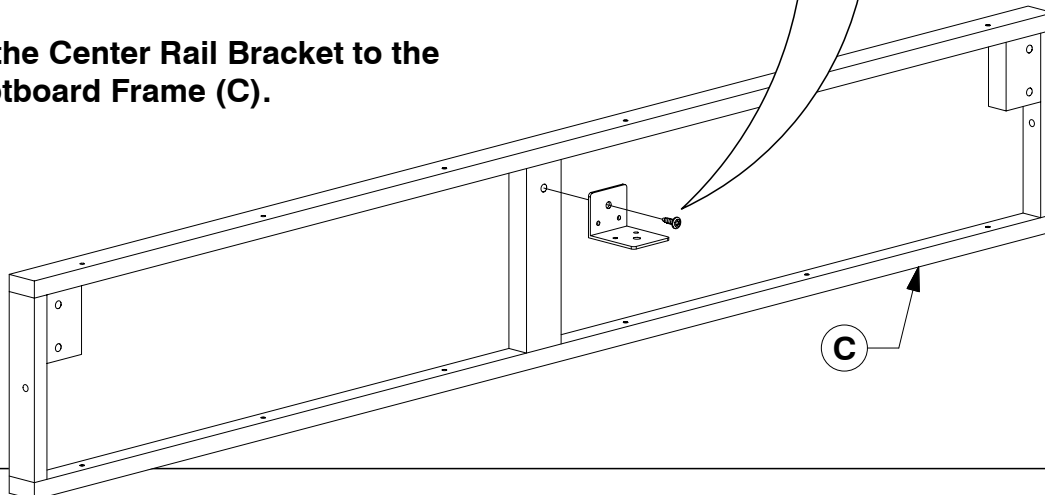
- 9 Assemble the Support Leg (H) to the Long Support (K).**



- 10 Fit the Center Rail Bracket to the Headboard Panel (A).**



- 11 Fit the Center Rail Bracket to the Footboard Frame (C).**

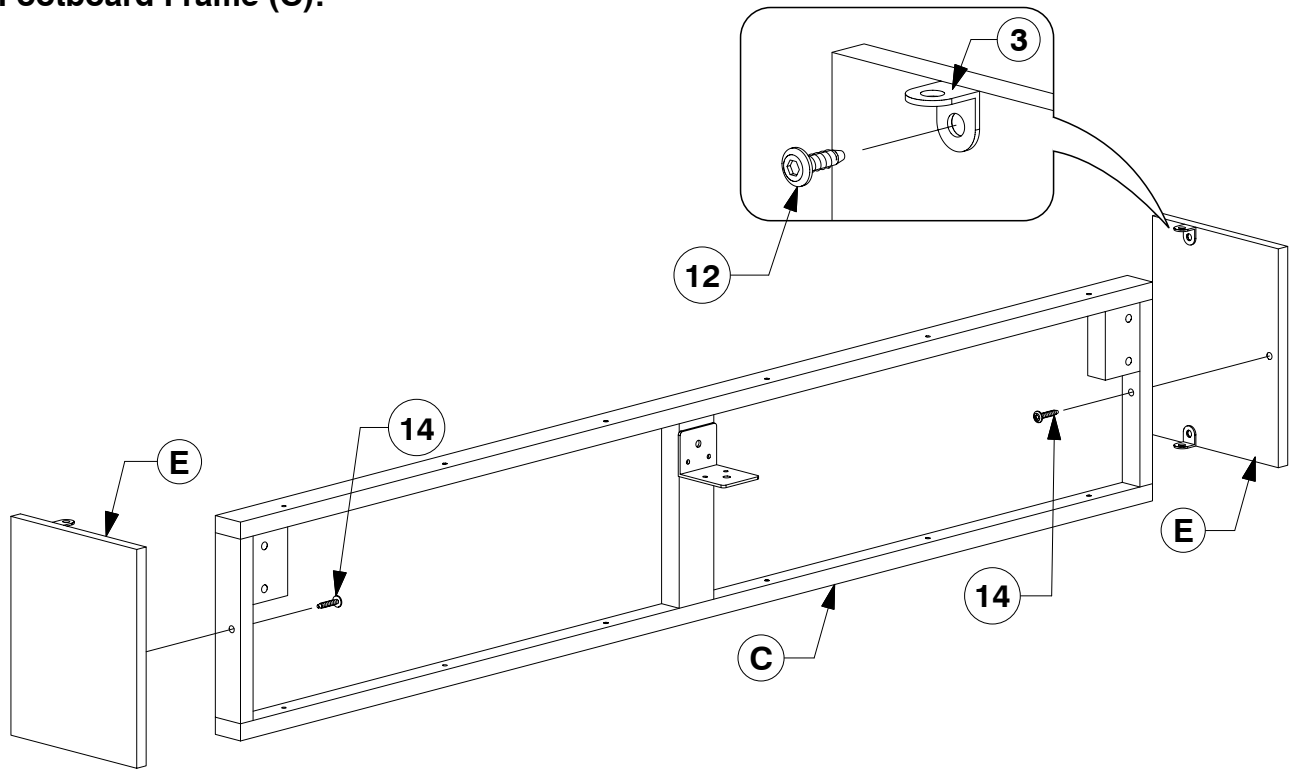


# 6001-1S 4D Queen Bed

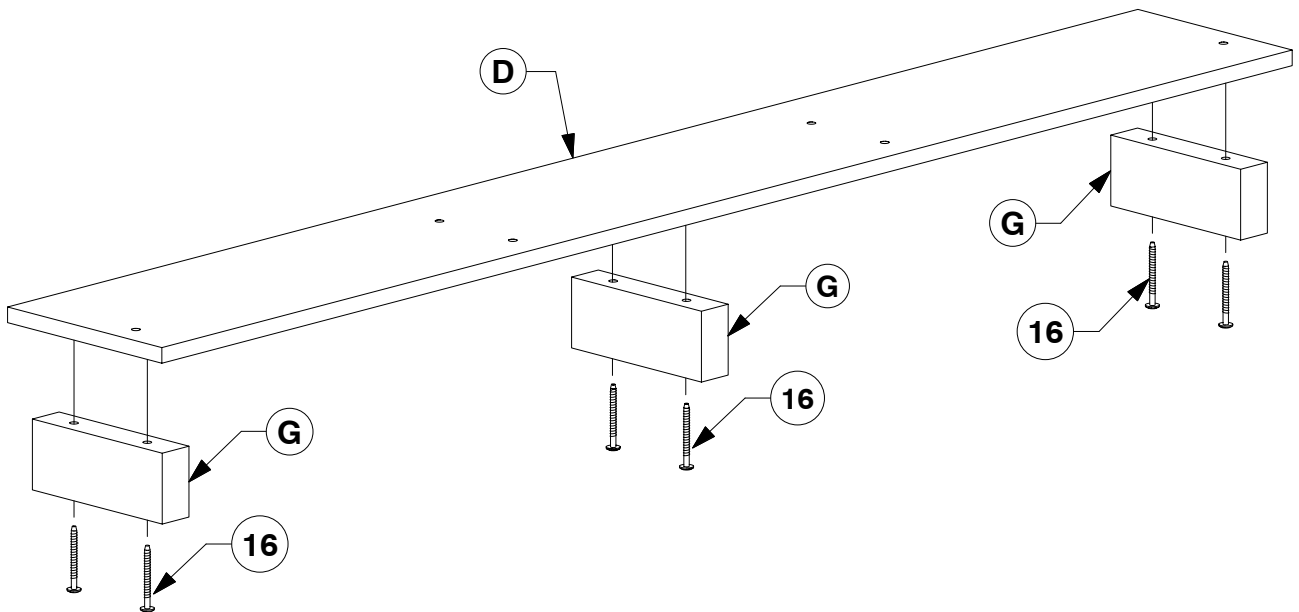
## Assembly Instructions

W11-0919

- 12** Fit 'L' Bracket to the Footboard Side Panel (E).  
Assemble the Footboard Side Panel (E) to the  
Footboard Frame (C).



- 13** Fit the Footboard Foot (G) to the Footboard Bottom Panel (D).

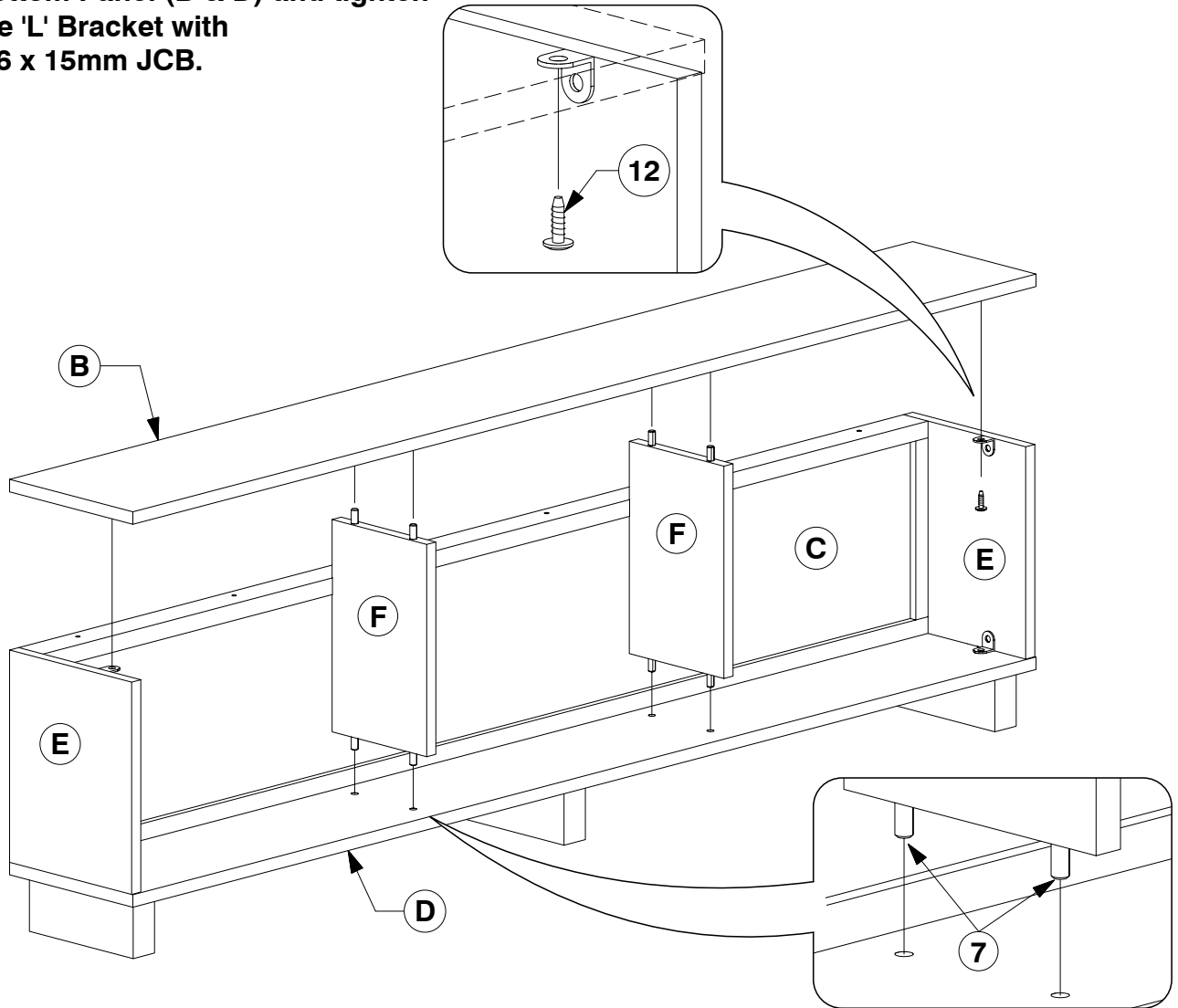


# 6001-1S 4D Queen Bed

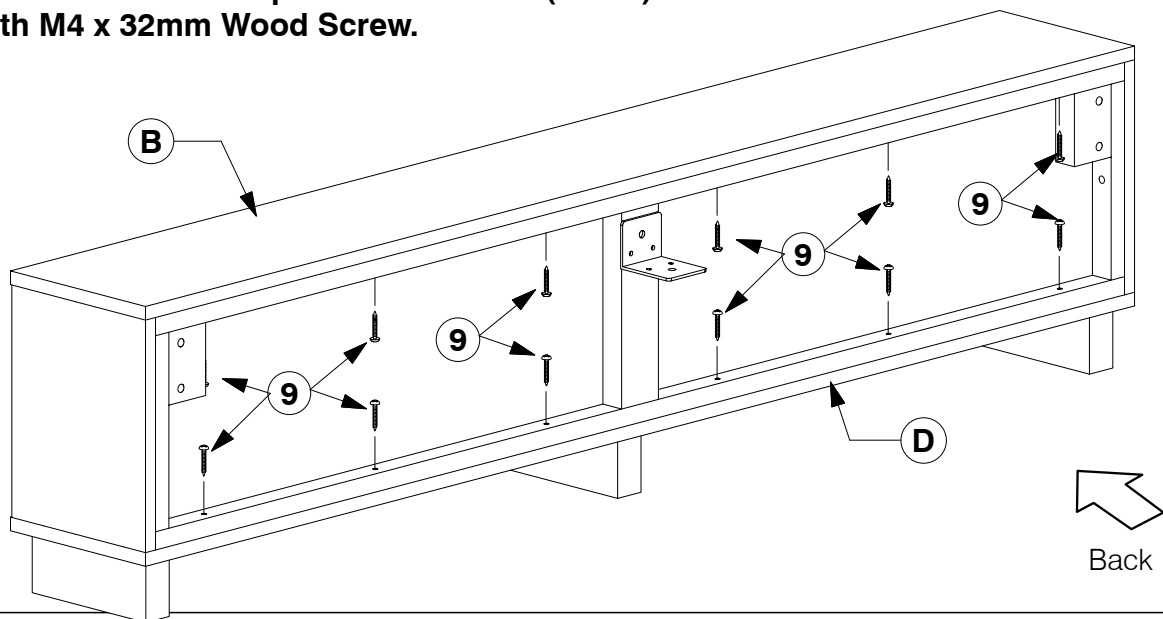
## Assembly Instructions

WII-0919

- 14** Fit the Footboard Divider (F) to the Footboard Top & Bottom Panel (B & D) and tighten the 'L' Bracket with M6 x 15mm JCB.



- 15** Fit the Footboard Top & Bottom Panel (B & D) with M4 x 32mm Wood Screw.



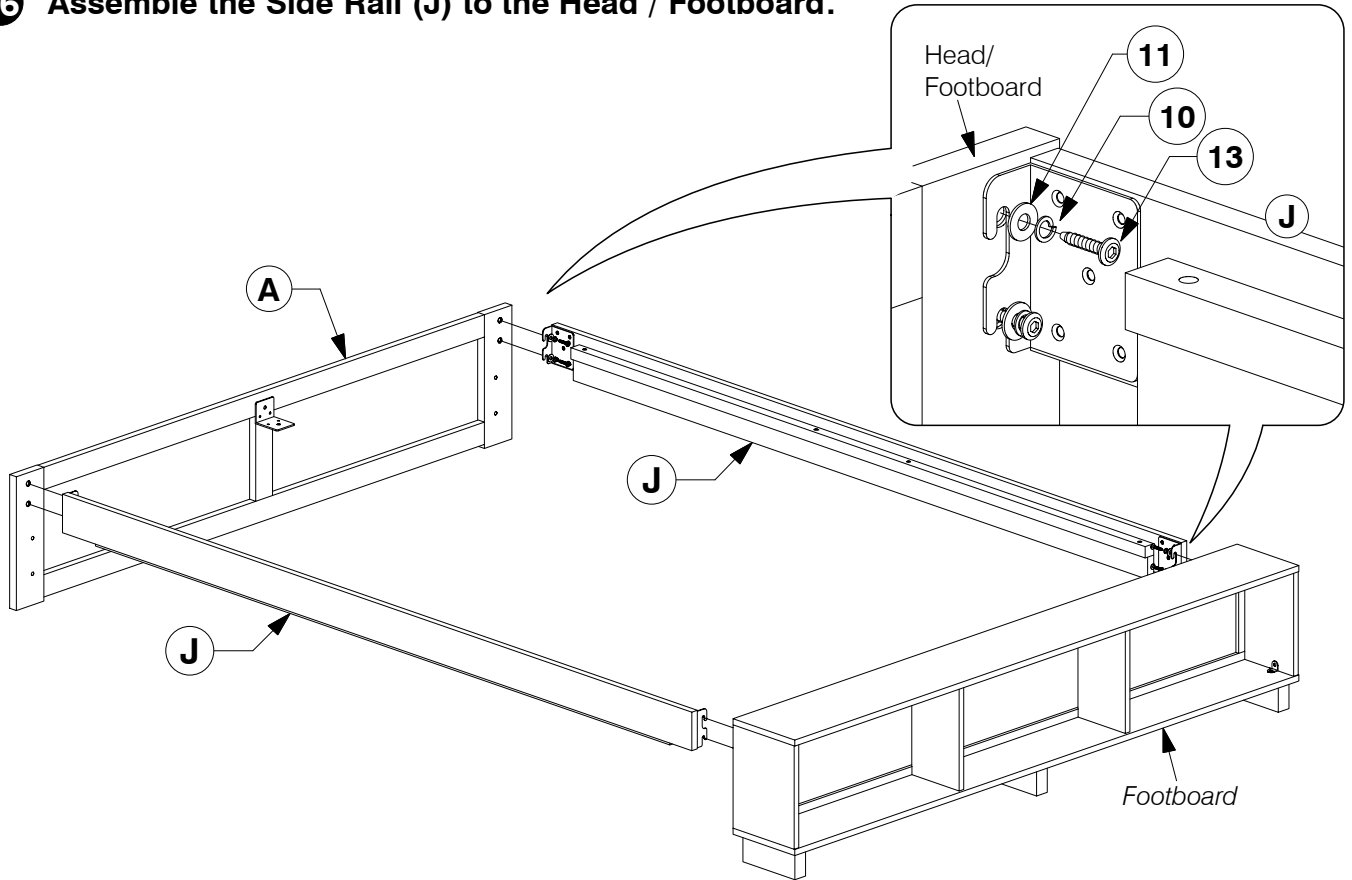


# 6001-1S 4D Queen Bed

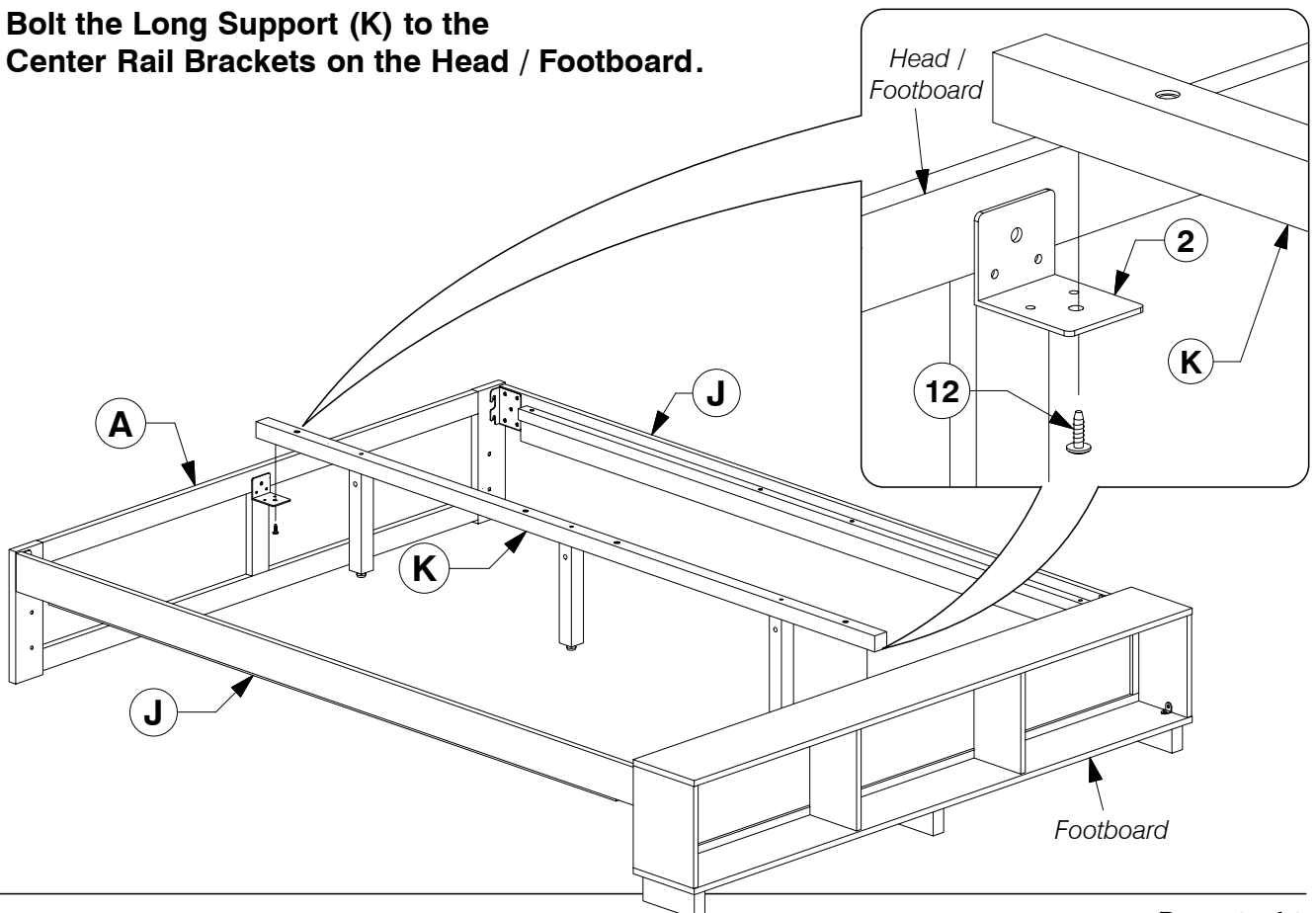
## Assembly Instructions

W11-0919

### 16 Assemble the Side Rail (J) to the Head / Footboard.



### 17 Bolt the Long Support (K) to the Center Rail Brackets on the Head / Footboard.

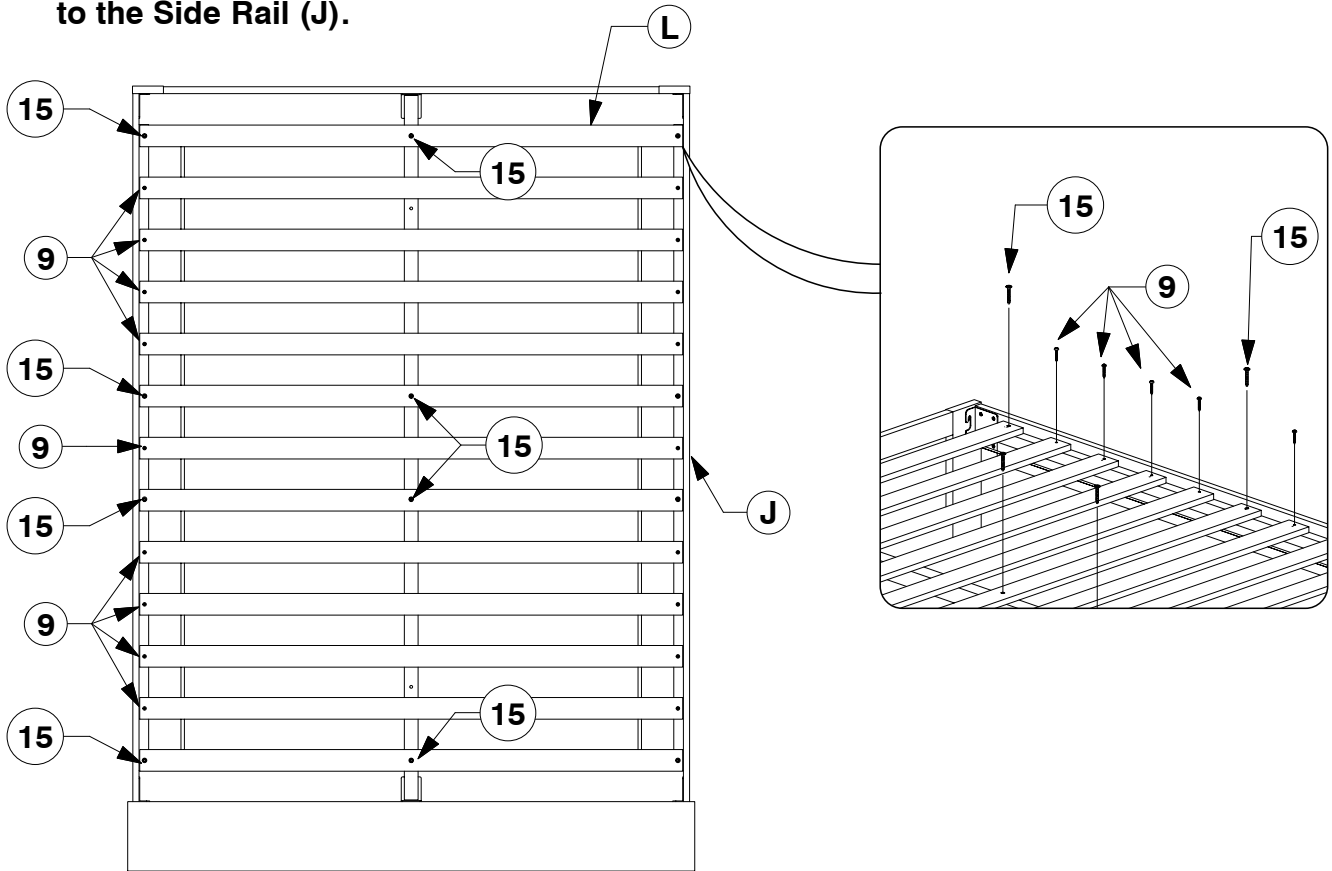


# 6001-1S 4D Queen Bed

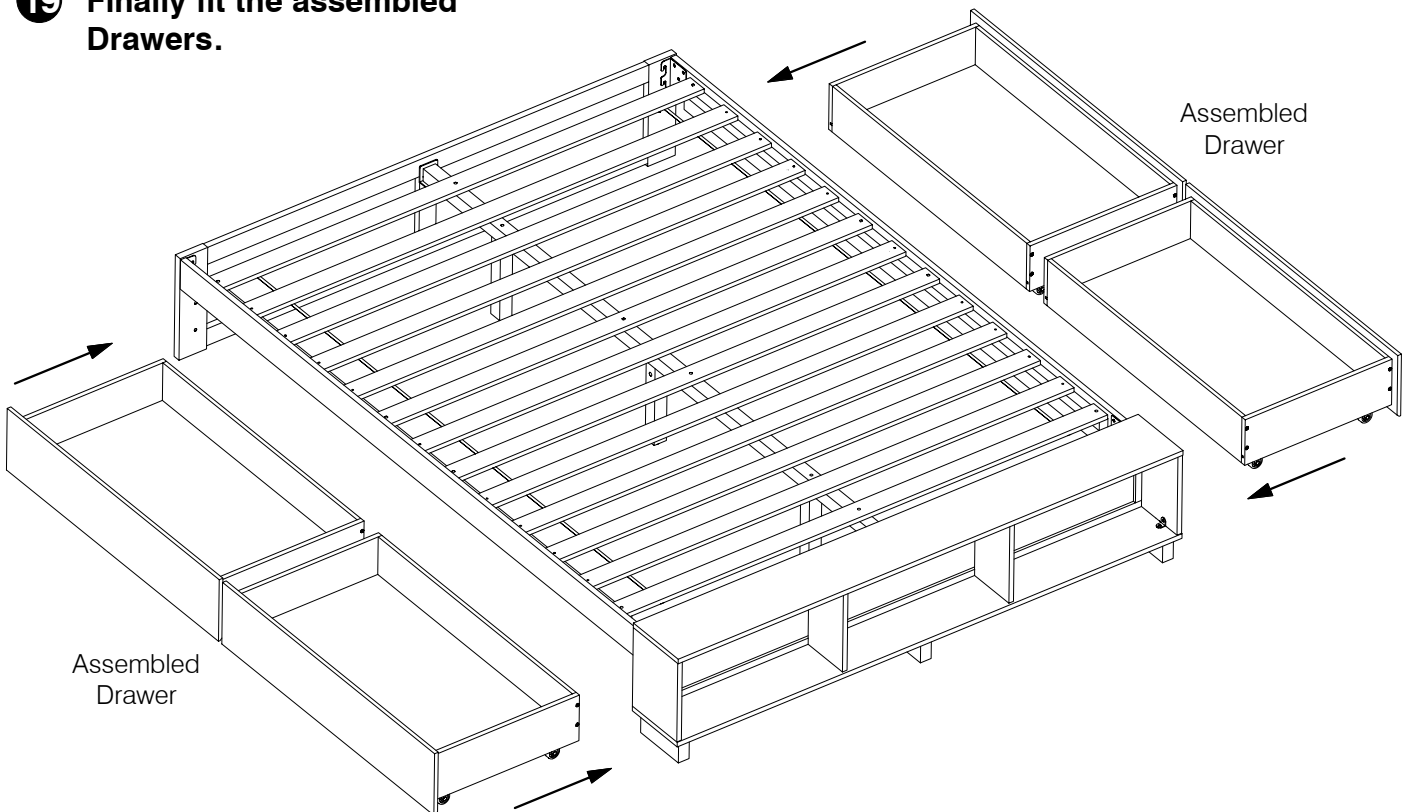
## Assembly Instructions

W11-0919

- 18** Bolt & screw the Bed Slats (L) to the Side Rail (J).



- 19** Finally fit the assembled Drawers.

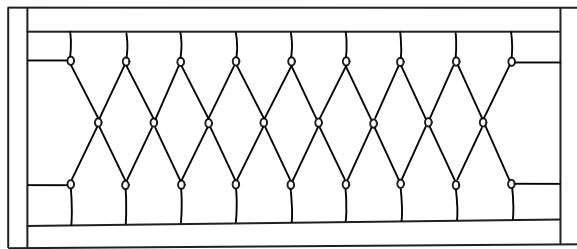


# 9765 King Headboard

Assembly Instructions

WI-0622

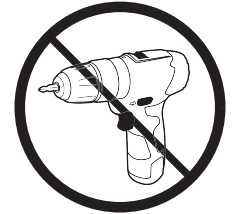
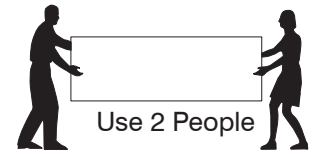
## 1 Parts List



**A**  
Headboard Panel  
x 1



**B**  
Support Bars  
x 2



## 2 Hardware List



**1** M6 X 35mm JCB  
x 10



**2** Spring Washer  
x 10



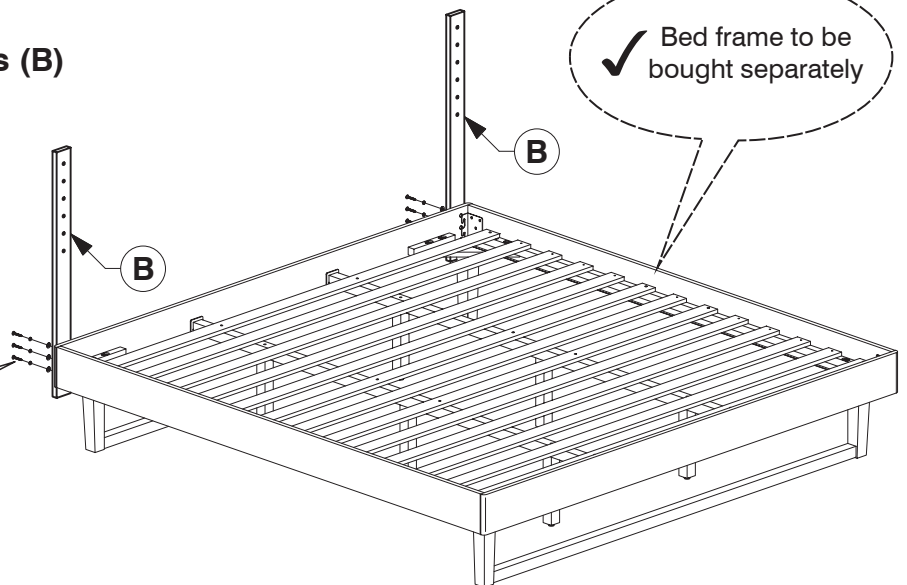
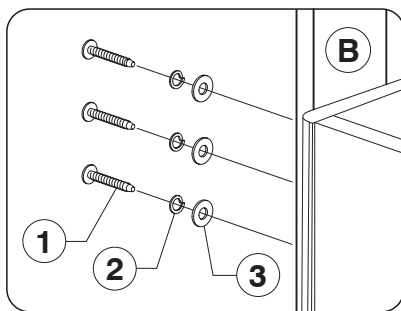
**3** Flat Washer  
x 10



**4** Allen Key  
x 1

Note: Do not assemble using power tools. This can cause the bolts to be overtightened

## 3 Assemble the Support Bars (B) to the Headboard Panel.



## 4 Assemble the Headboard Panel (A) to the Support Bars (B).

