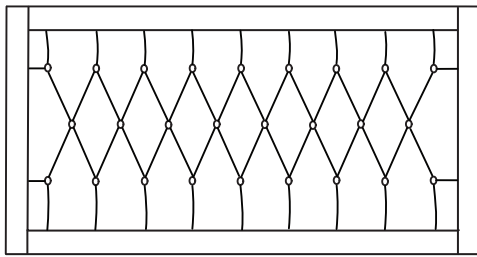


9765 Full / Queen Headboard

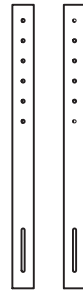
Assembly Instructions

WI-0622

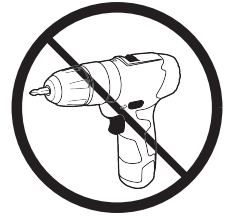
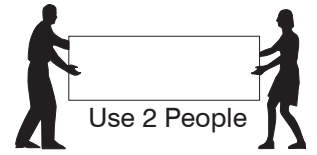
1 Parts List



A
Headboard Panel
x 1



B
Support Bars
x 2



2 Hardware List



1 M6 x 35mm JCB
x 10



2 Spring Washer
x 10



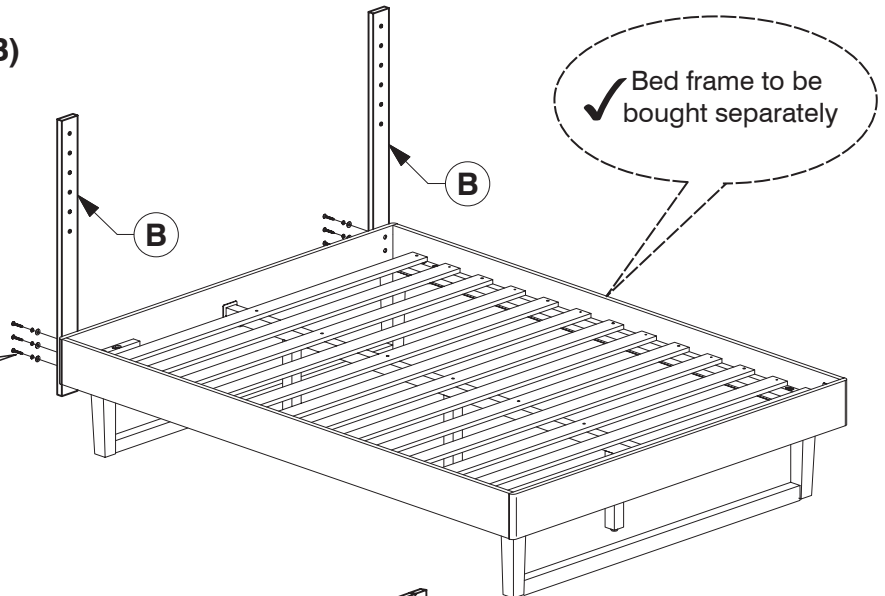
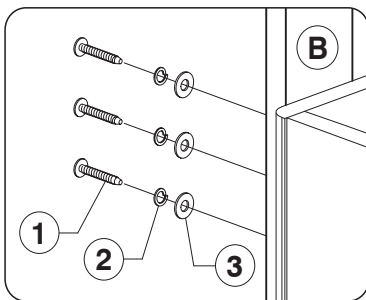
3 Flat Washer
x 10



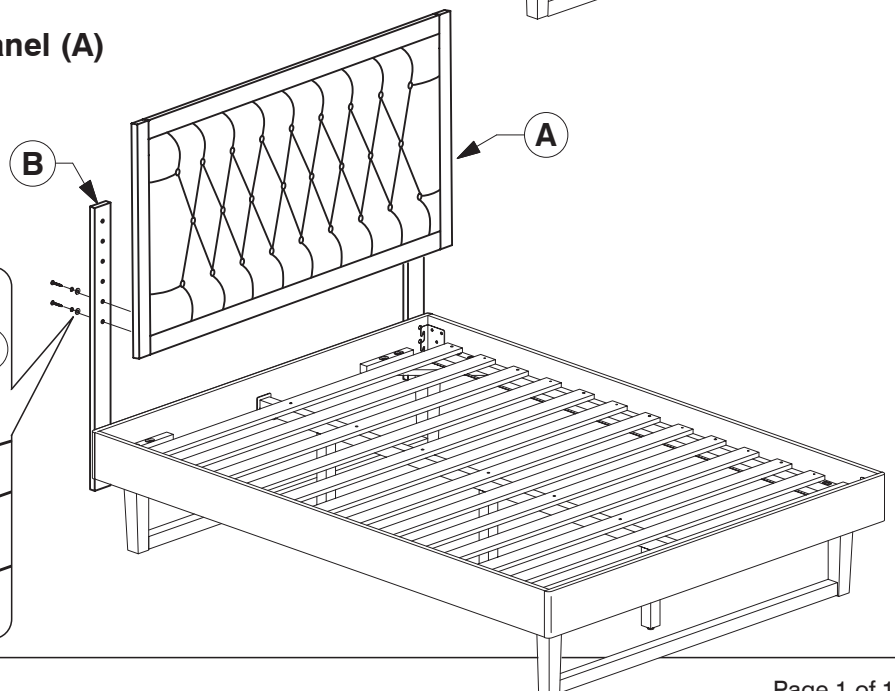
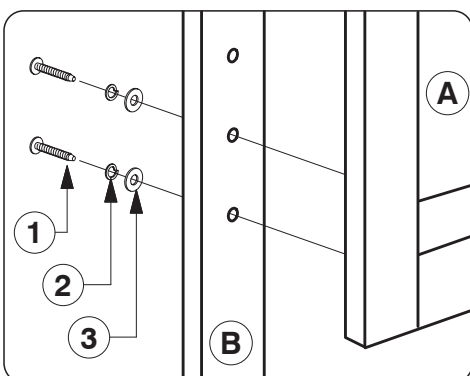
4 Allen Key
x 1

Note: Do not assemble using power tools. This can cause the bolts to be overtightened.

3 Assemble the Support Bars (B) to the Headboard Panel (A).



4 Assemble the Headboard Panel (A) to the Support Bars (B).

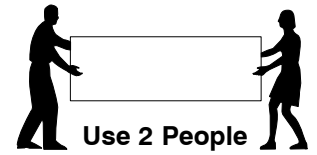
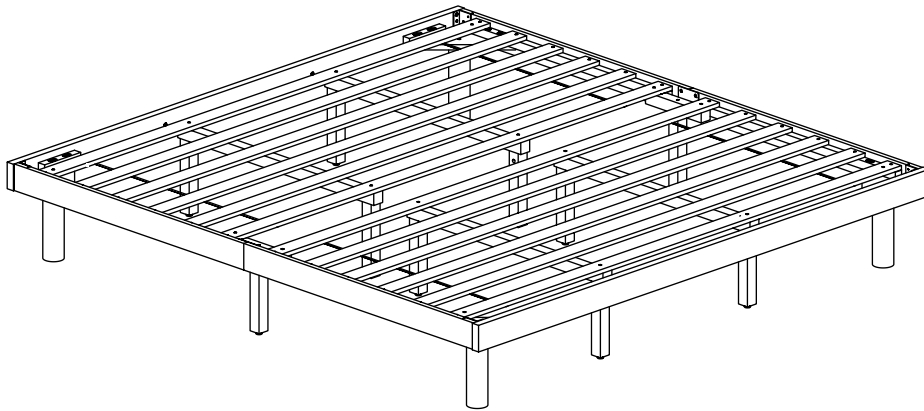


0082 S King Bed

Assembly Instructions

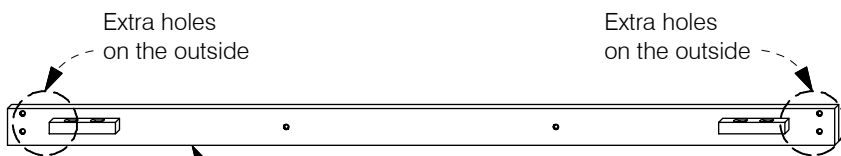
WI-0421

1 Assembled View



Note: Do not assemble using power tools. This can cause the bolts to be overtightened

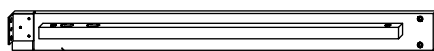
2 Parts List



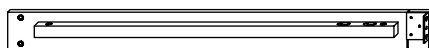
A Headboard Panel x 1



B Footboard Panel x 1



C Side Rail (Left Hand) x 2



D Side Rail (Right Hand) x 2



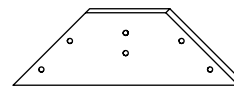
E Long Support x 4



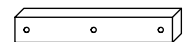
F Post x 4



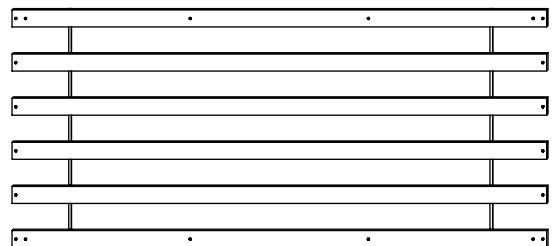
G Support Leg x 10



H Support Panel x 4



J Support Bar x 2



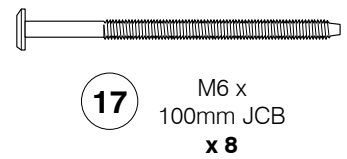
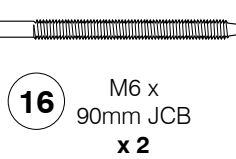
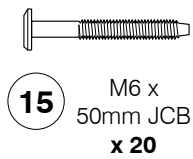
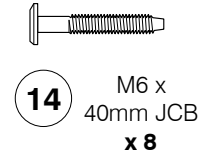
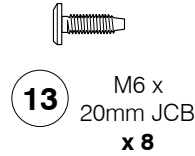
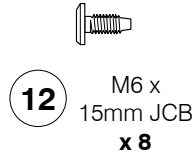
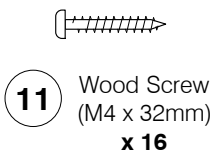
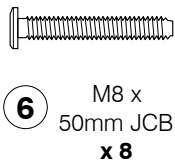
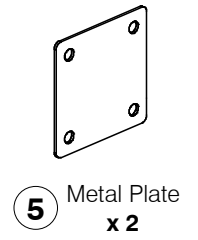
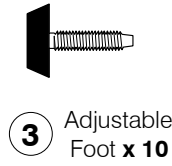
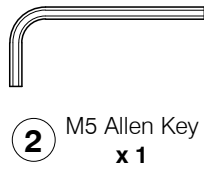
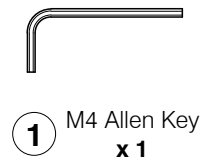
K Set of Bed Slats x 2

0082 S King Bed

Assembly Instructions

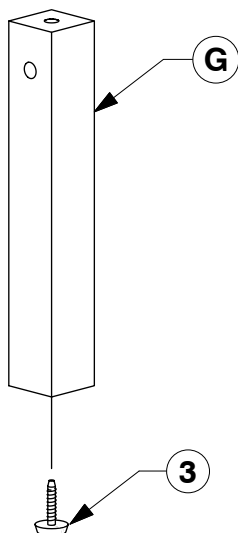
WI-0421

3 Hardware List



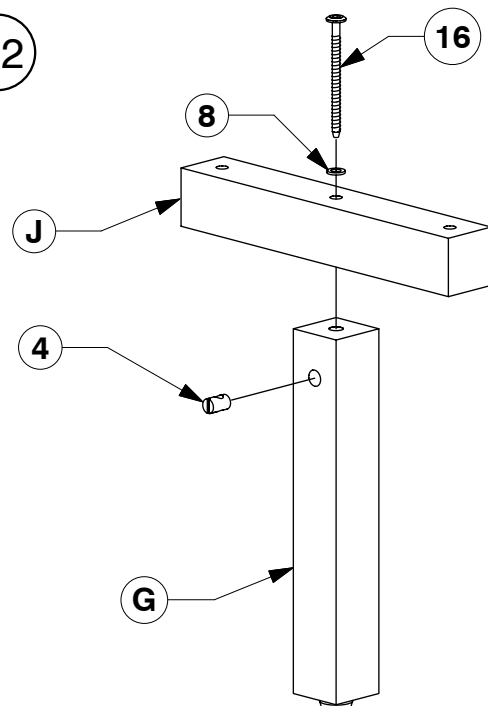
4 Fit the Adjustable foot to the bottom of the Support Legs (G).

x 10



5 Fit the Support Bar (J) to the Support Leg (G).

x 2



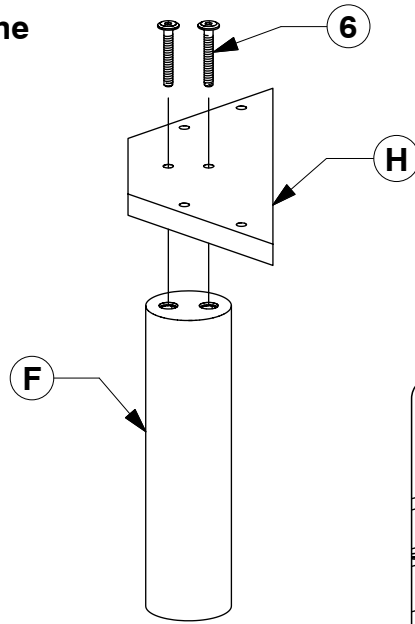
0082 S King Bed

Assembly Instructions

WI-0421

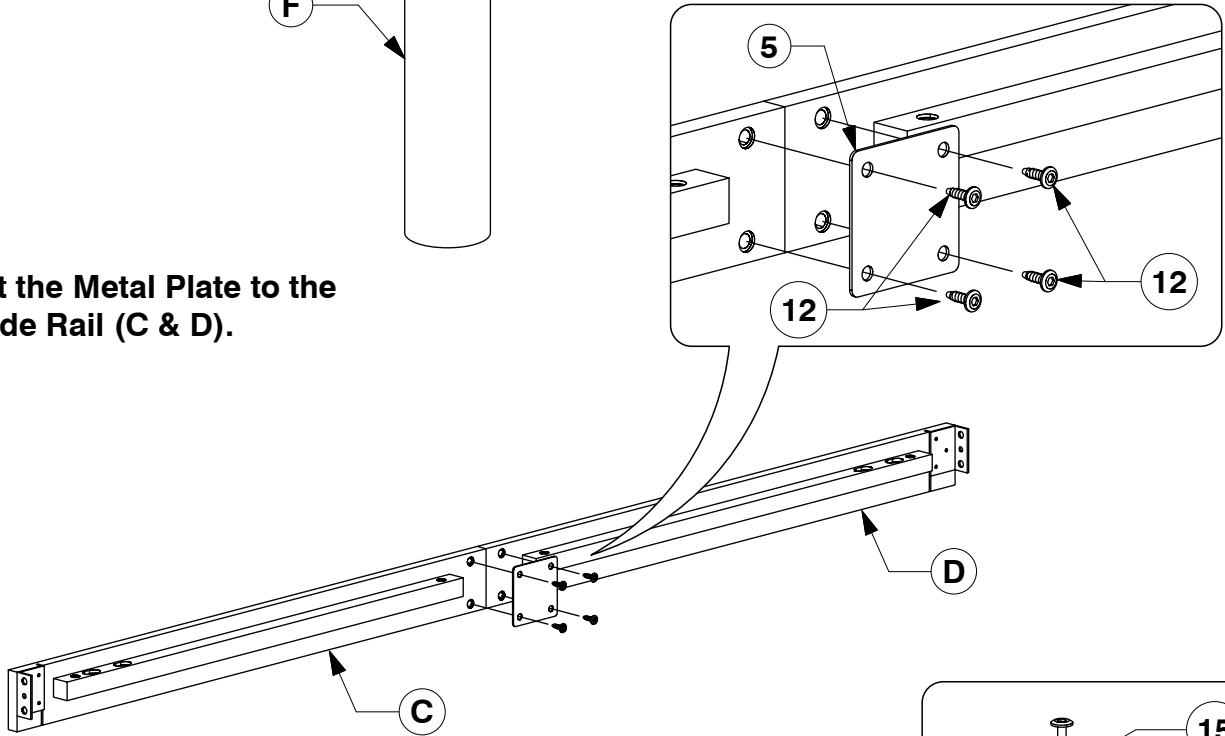
- 6** Fit the Post (F) to the Support Panel (H).

x4



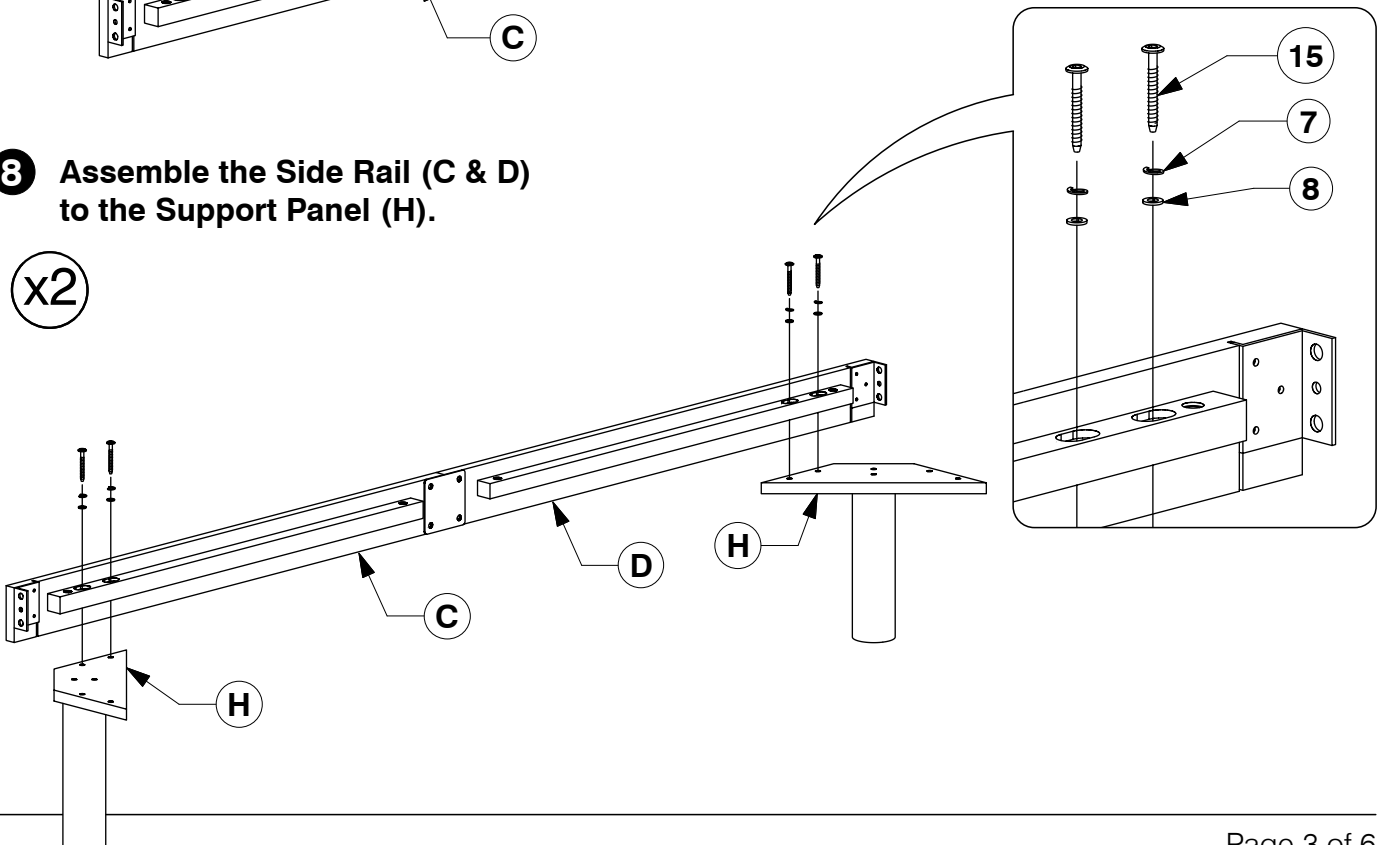
- 7** Fit the Metal Plate to the Side Rail (C & D).

x2



- 8** Assemble the Side Rail (C & D) to the Support Panel (H).

x2

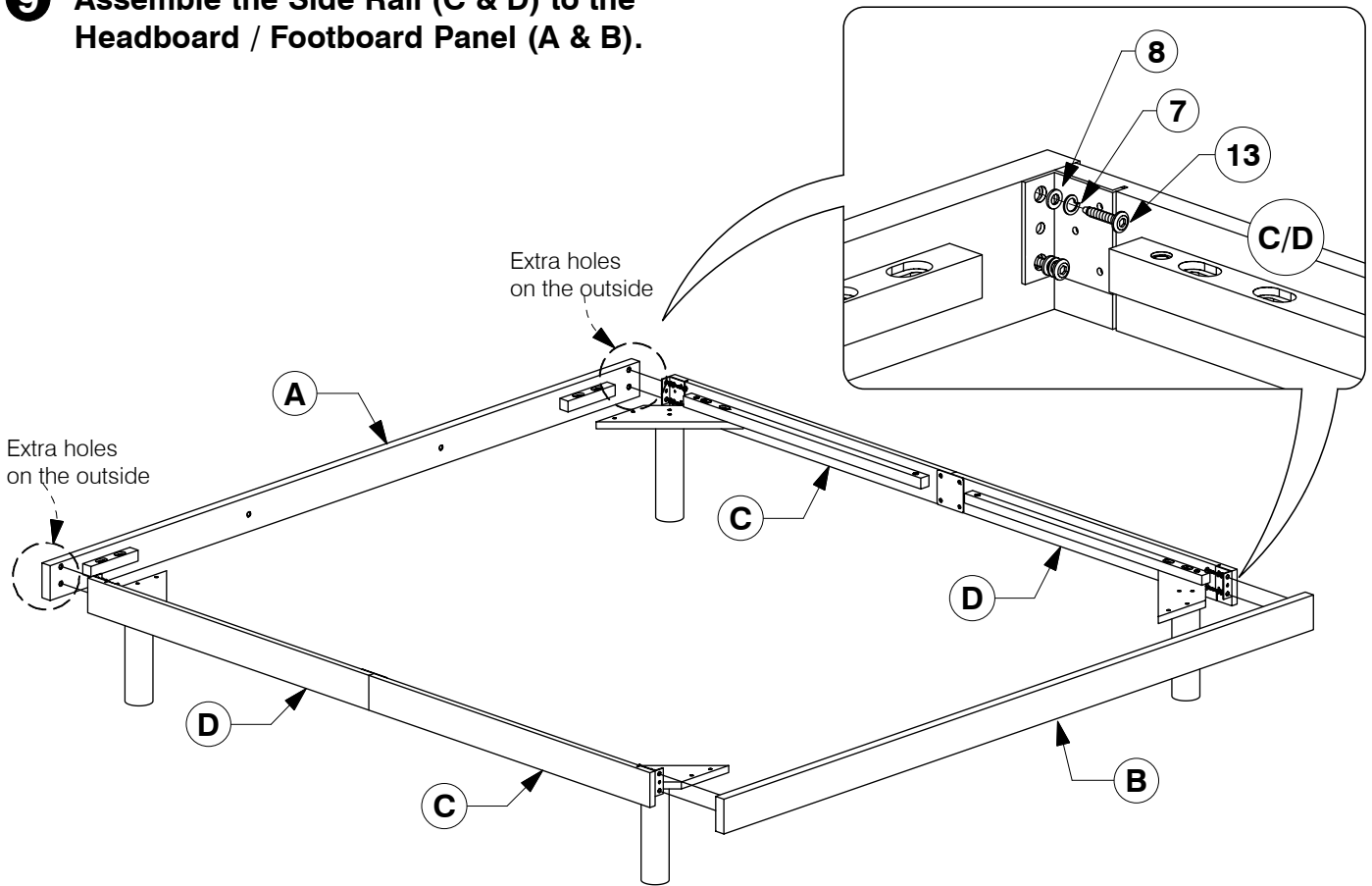


0082 S King Bed

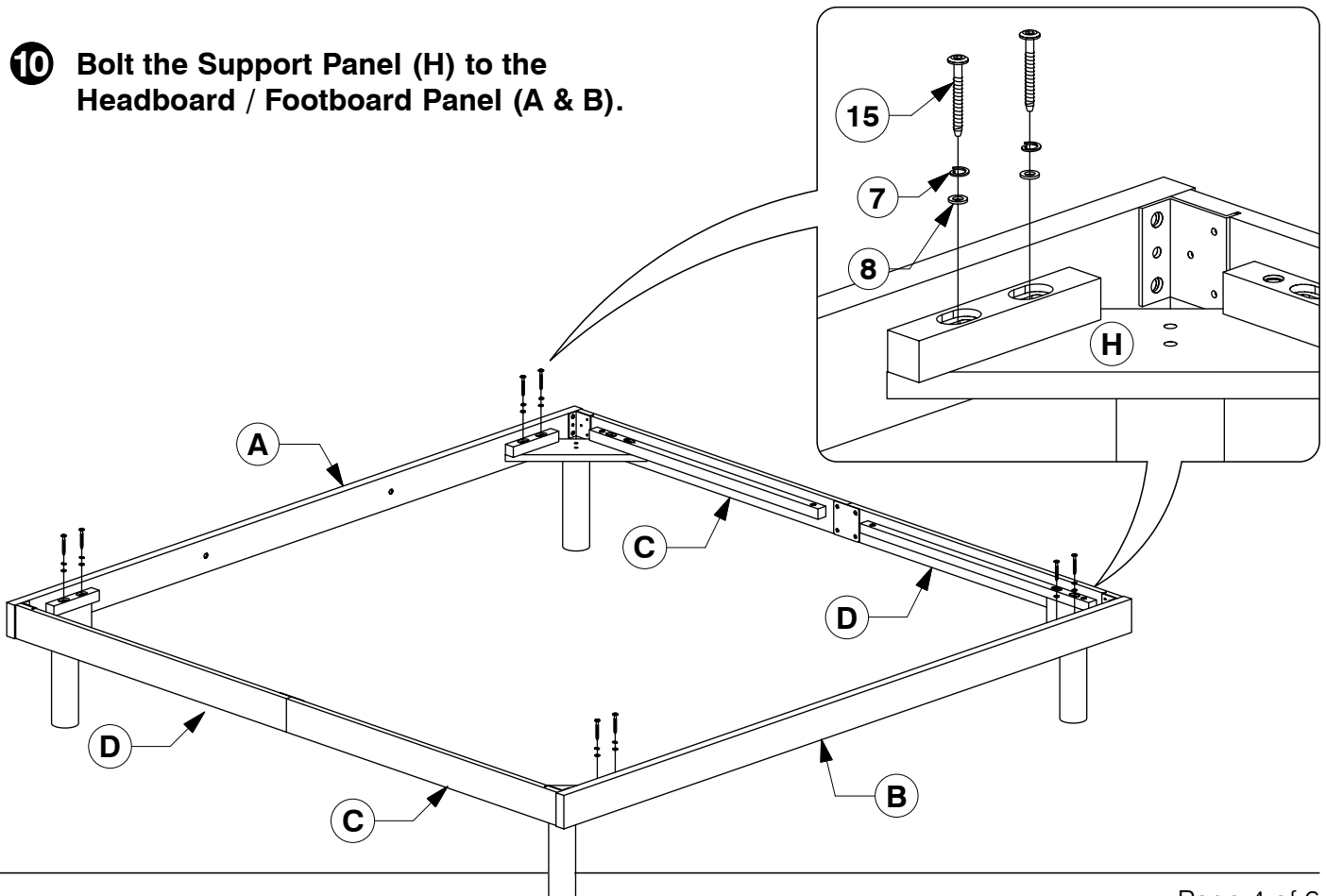
Assembly Instructions

WI-0421

- 9 Assemble the Side Rail (C & D) to the Headboard / Footboard Panel (A & B).**



- 10 Bolt the Support Panel (H) to the Headboard / Footboard Panel (A & B).**



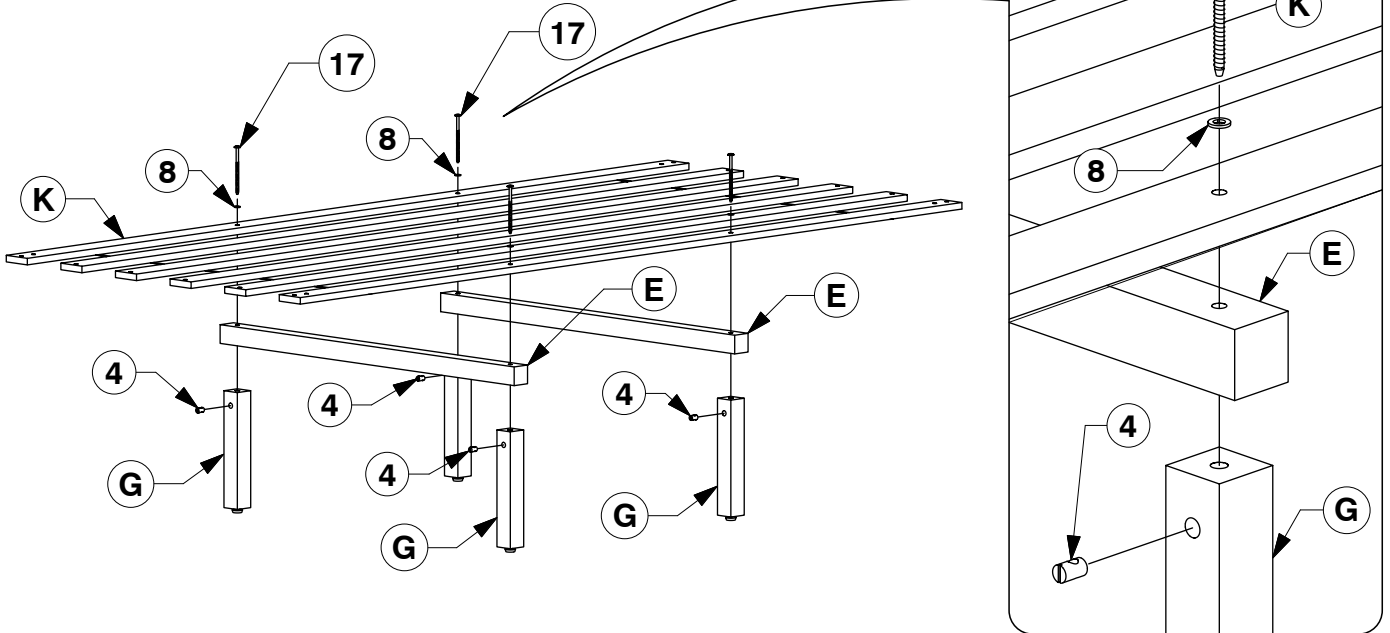
0082 S King Bed

Assembly Instructions

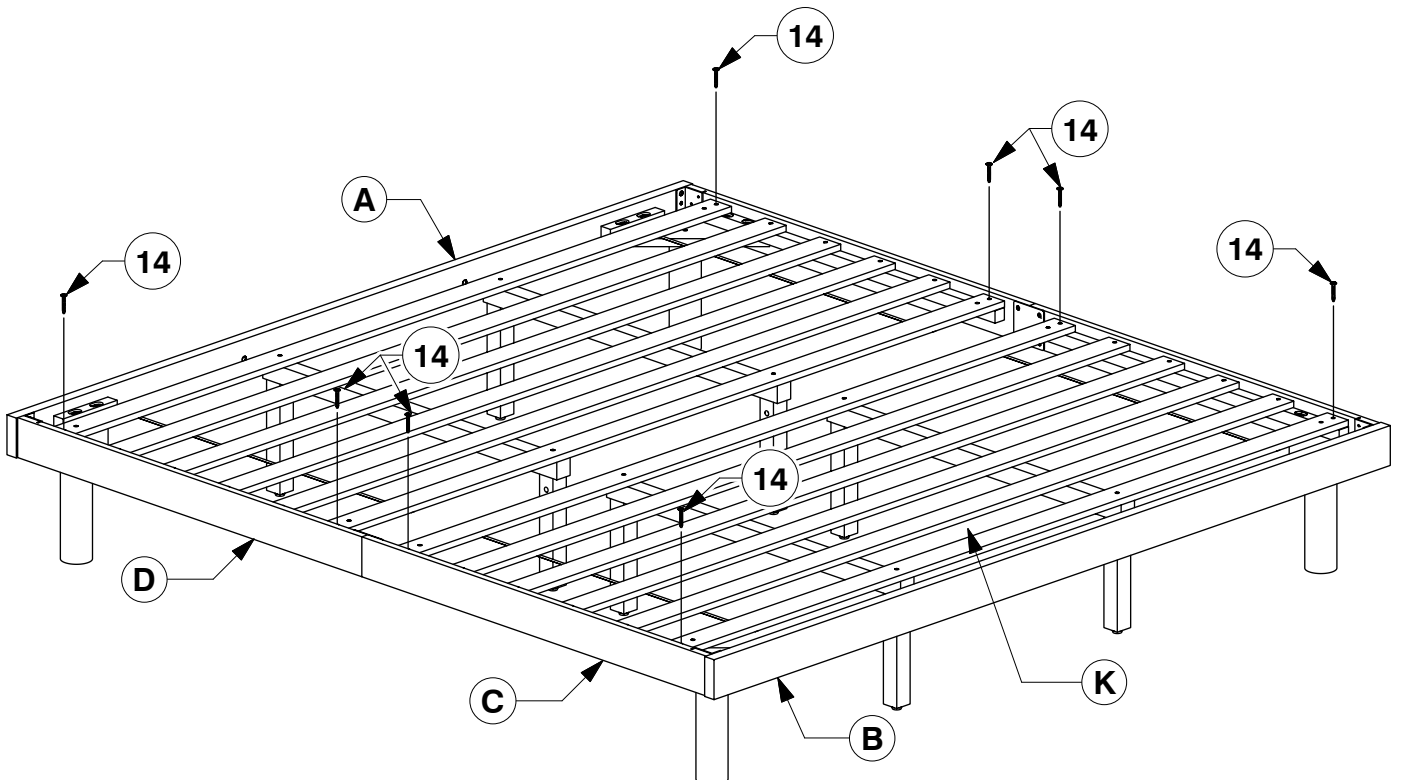
WI-0421

- 11** Fit the Slats (K) to the Long Support (E) & Support Leg (G).

x2



- 12** Bolt the Bed Slats (K) to the Side Rail (C & D).

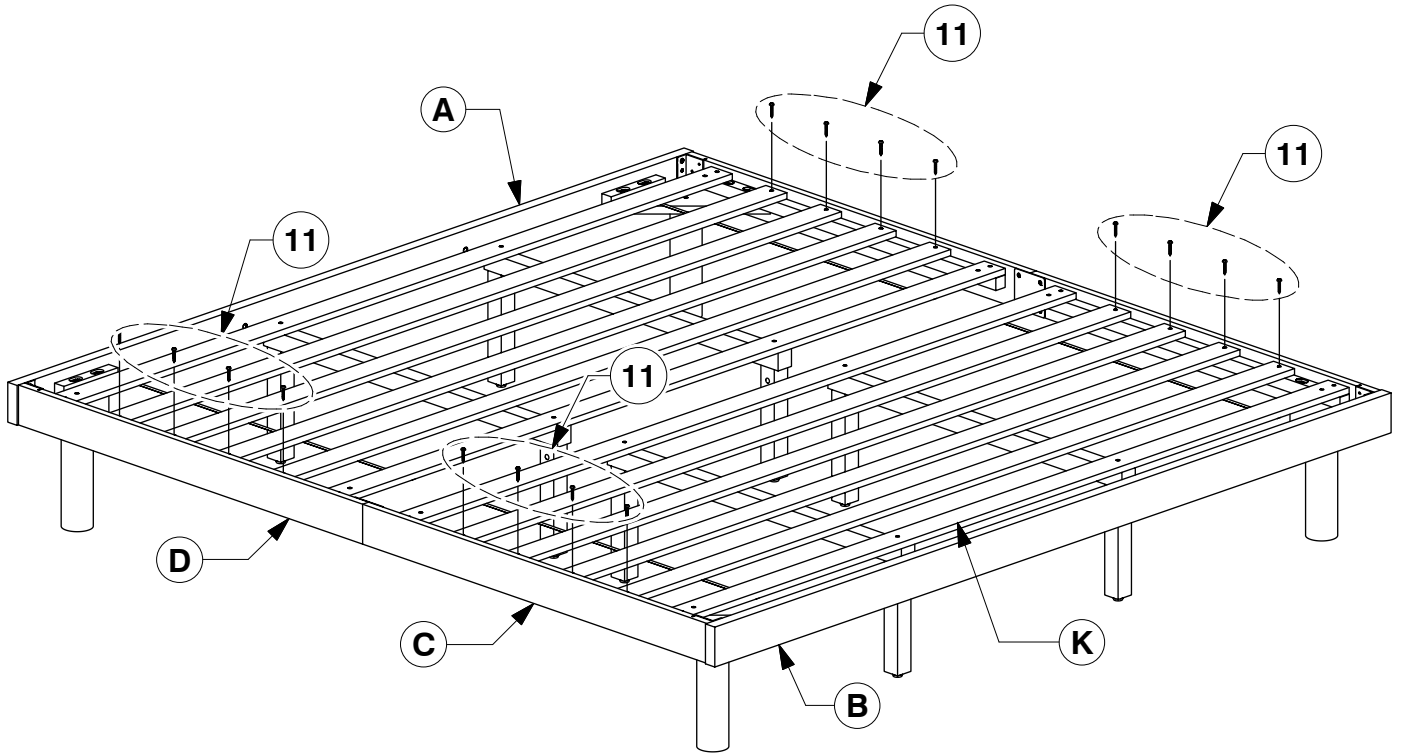


0082 S King Bed

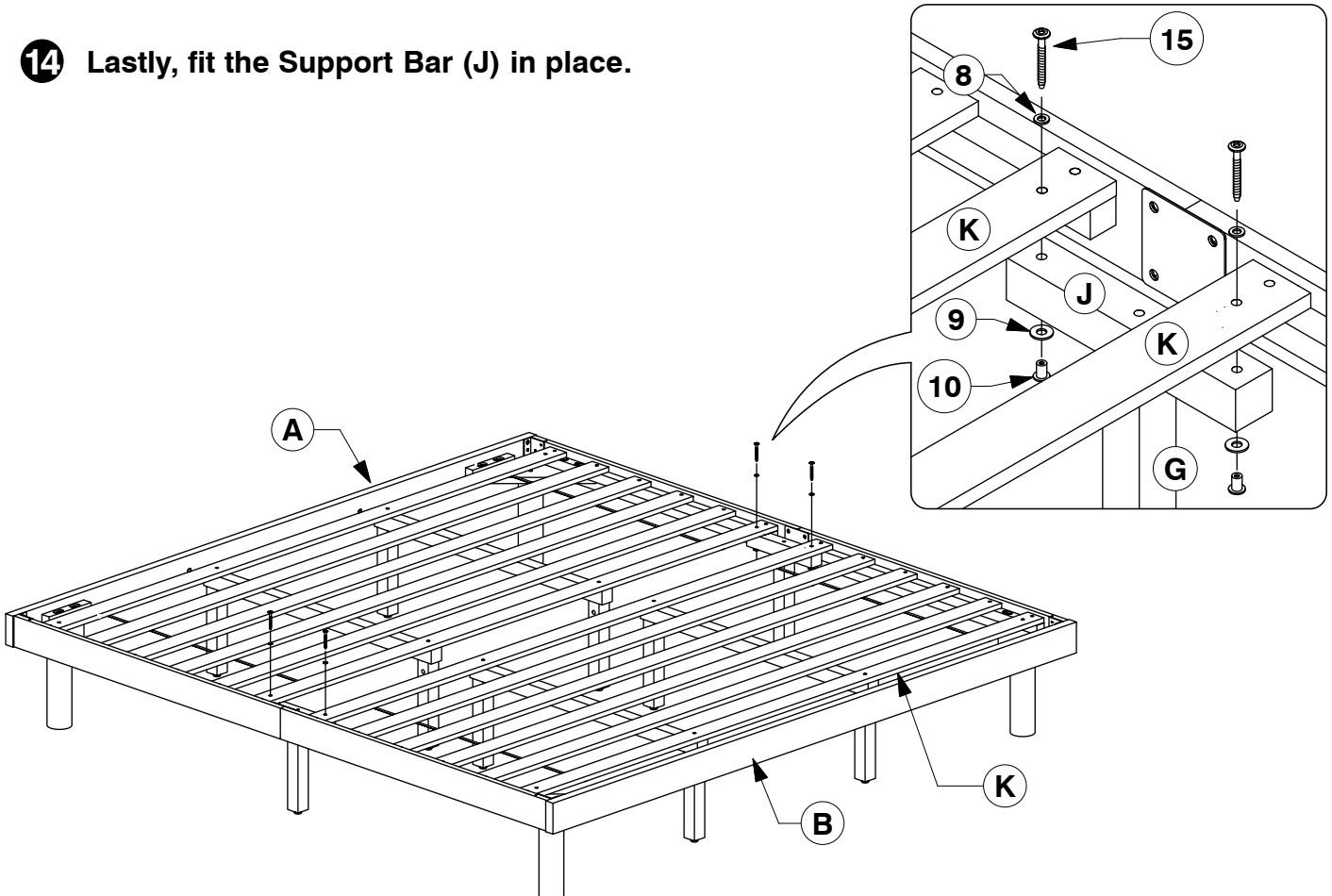
Assembly Instructions

WI-0421

- 13** Screw the Bed Slats (K) to the Side Rail (C & D).



- 14** Lastly, fit the Support Bar (J) in place.

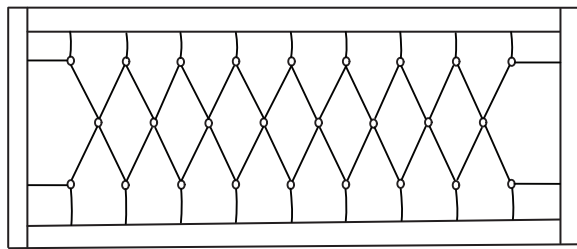


9765 King Headboard

Assembly Instructions

WI-0622

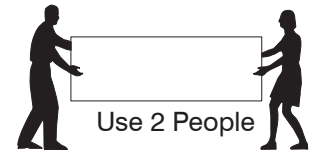
1 Parts List



A
Headboard Panel
x 1



B
Support Bars
x 2



2 Hardware List



1 M6 X 35mm JCB
x 10



2 Spring Washer
x 10



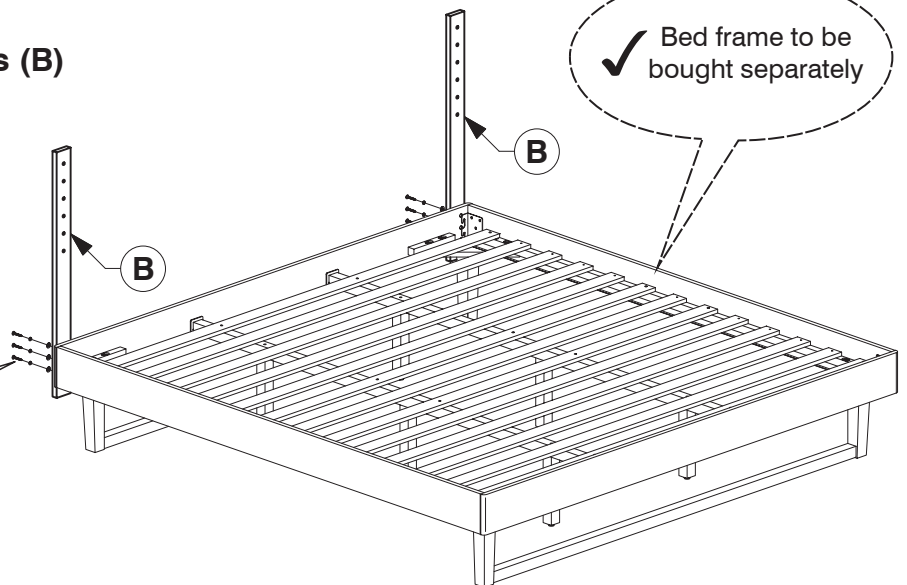
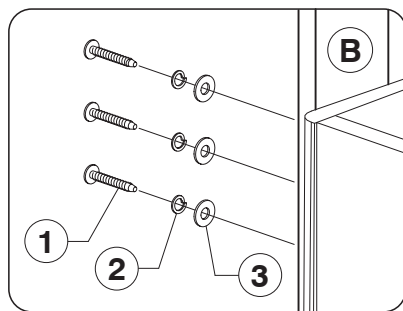
3 Flat Washer
x 10



4 Allen Key
x 1

Note: Do not assemble using power tools. This can cause the bolts to be overtightened

3 Assemble the Support Bars (B) to the Headboard Panel.



4 Assemble the Headboard Panel (A) to the Support Bars (B).

