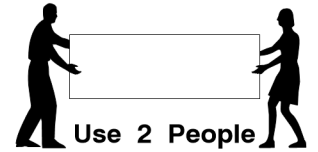
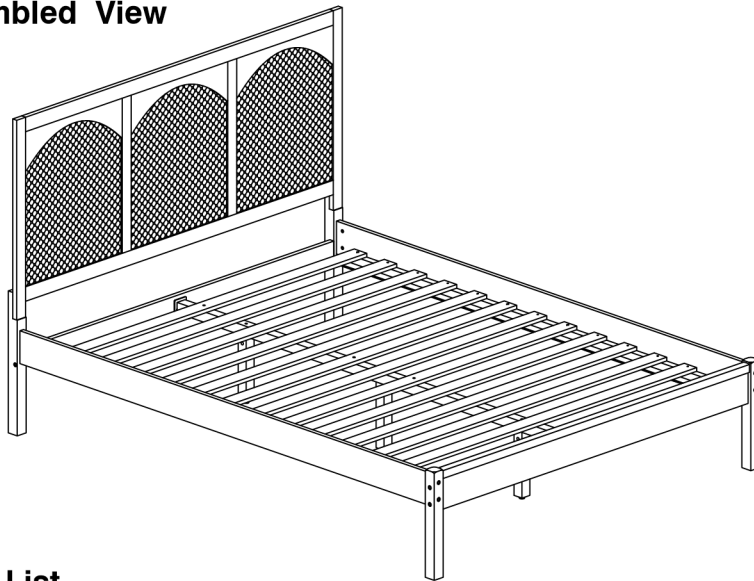


0084 Queen Bed

Assembly Instructions

WI-0622

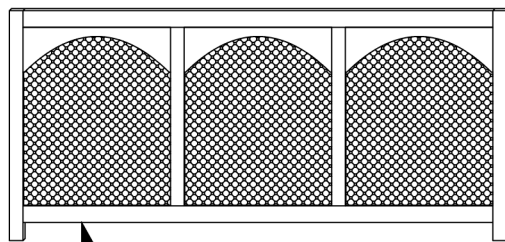
1 Assembled View



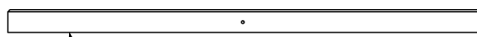
Note: Do not assemble using power tools. This can cause the bolts to be overtightened

2 Parts List

Parts in Box A:



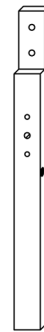
A Headboard Panel x 1



B Headboard Support x 1

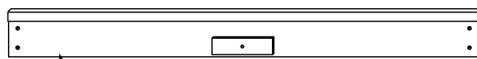


C Headboard Post (Left hand) x 1



D Headboard Post (Right hand) x 1

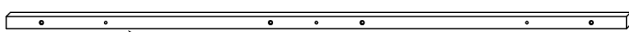
Parts in Box B:



E Footboard Panel x 1



F Side Rail x 2



G Long Support x 1



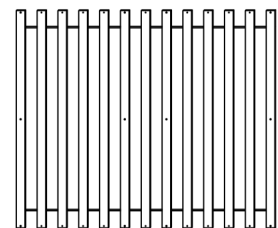
H Footboard Post (Left hand) x 1



J Footboard Post (Right hand) x 1



K Support Leg x 3



L Set of Bed Slats x 1

0084 Queen Bed

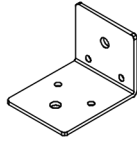
Assembly Instructions

WI-0622

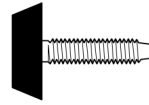
3 Hardware List



1 M4 Allen Key
x 1



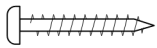
2 Center Rail
Bracket x 2



3 Adjustable
Foot x 3



4 Barrel Nut
x 17



5 Wood Screw
(M4 x 32mm) x 18



6 Wood Dowel
(10 x 40mm) x 8



7 Spring Washer
x 4



8 Flat Washer
x 4



9 M6 x 15mm JCB
x 4

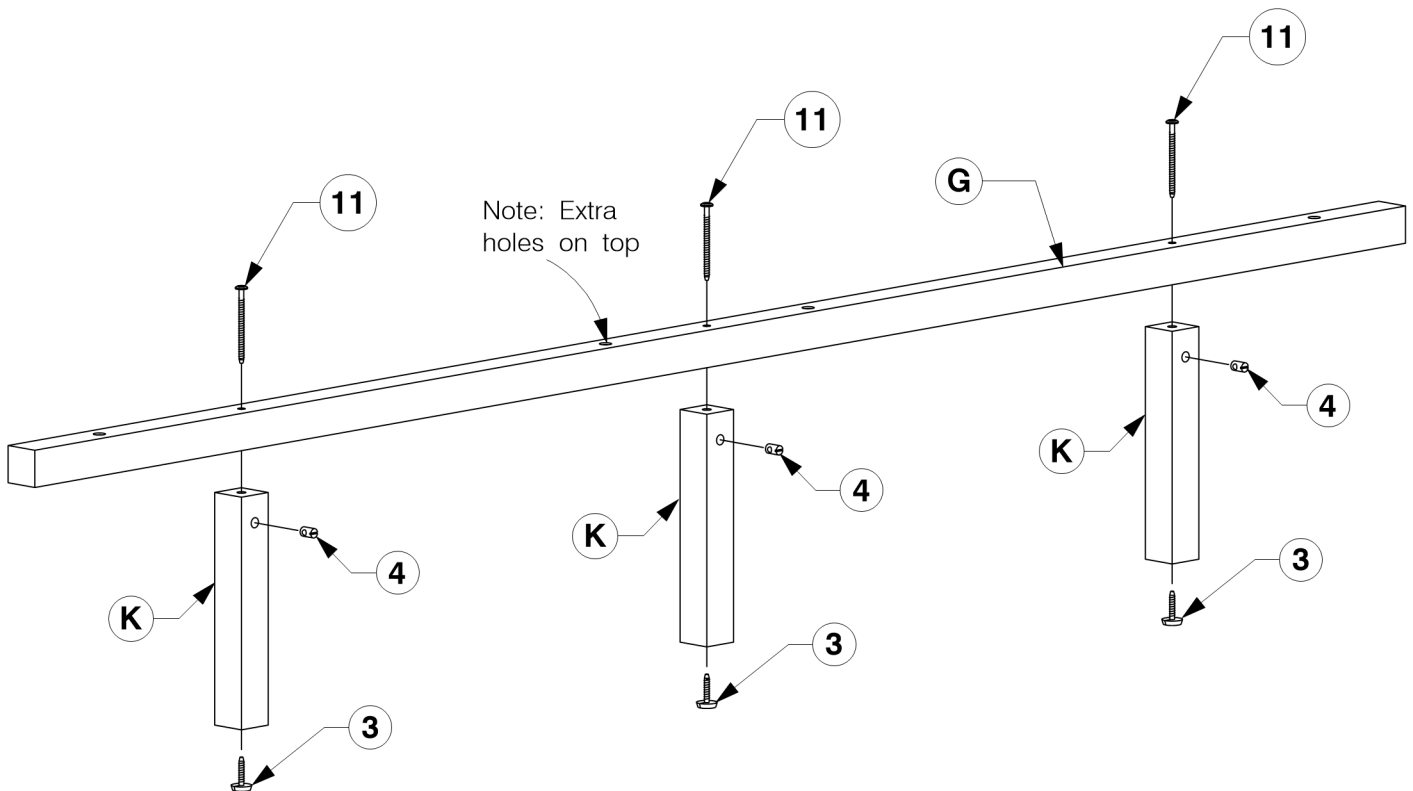


10 M6 x 40mm JCB
x 16



11 M6 x 90mm JCB
x 17

4 Assembled the Support Leg (K) to the Long Support (G).

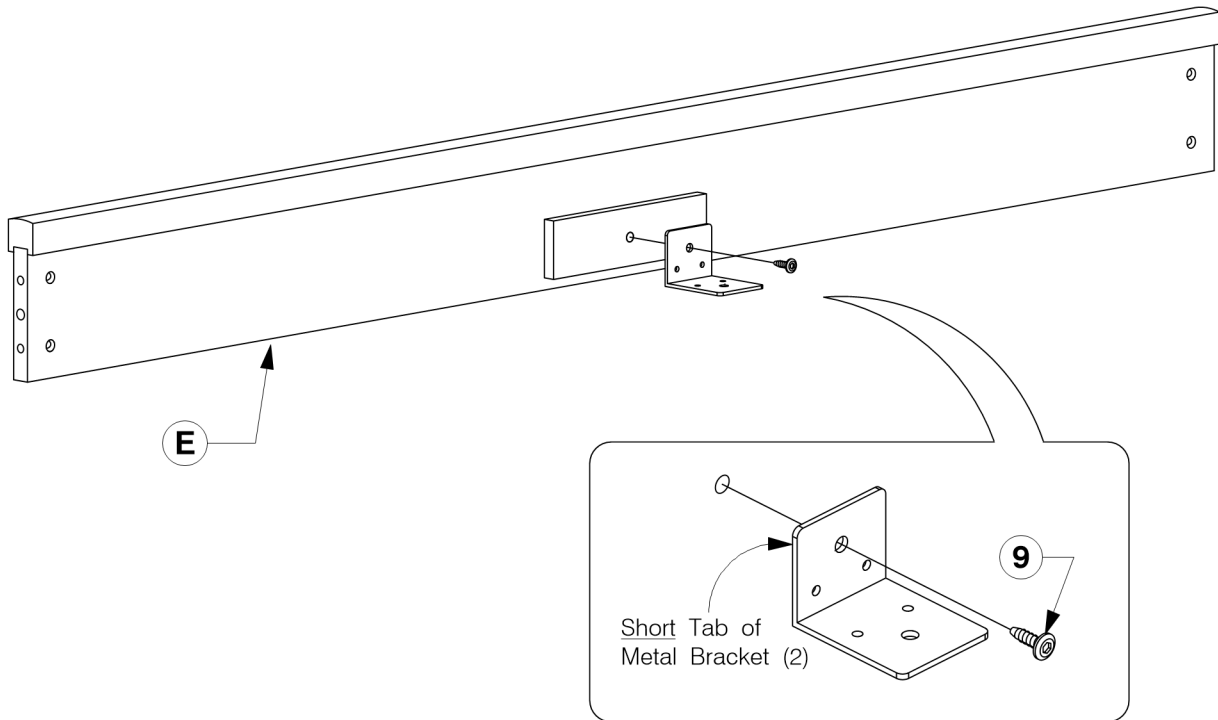


0084 Queen Bed

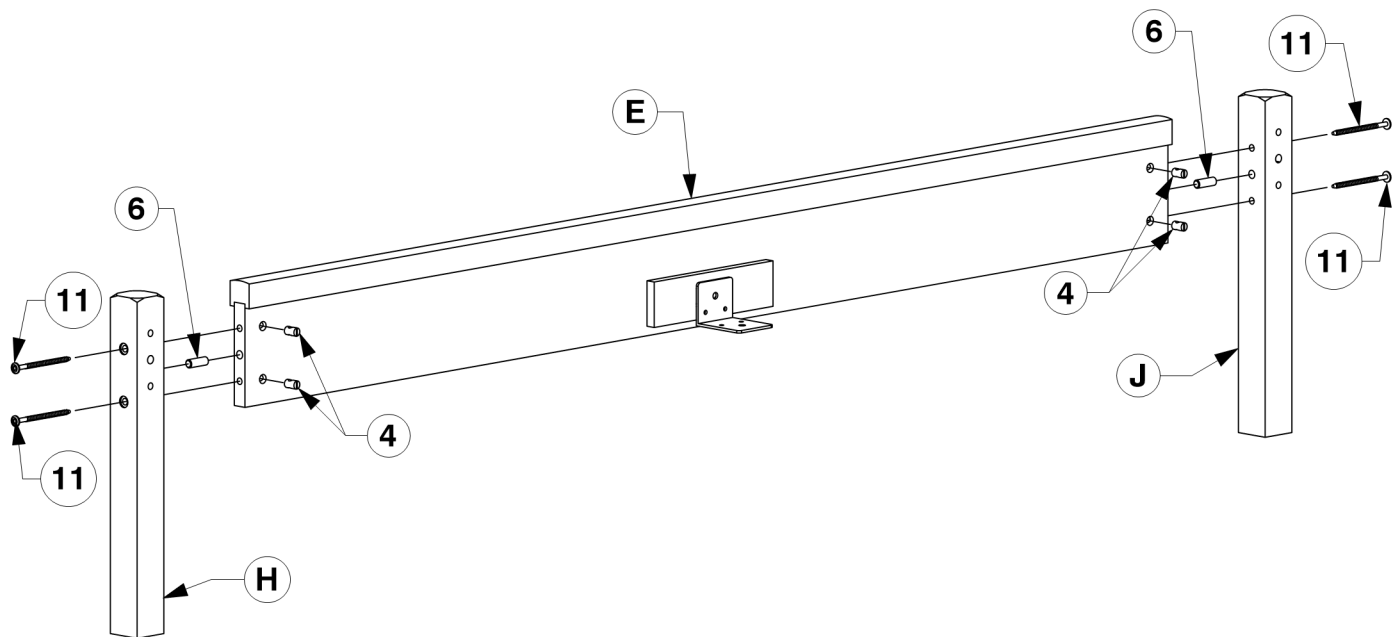
Assembly Instructions

WI-0622

5 Fit the Center Rail Bracket to the Footboard Panel (E).



6 Assemble the Footboard Post (H & J) to the Footboard Panel (E).

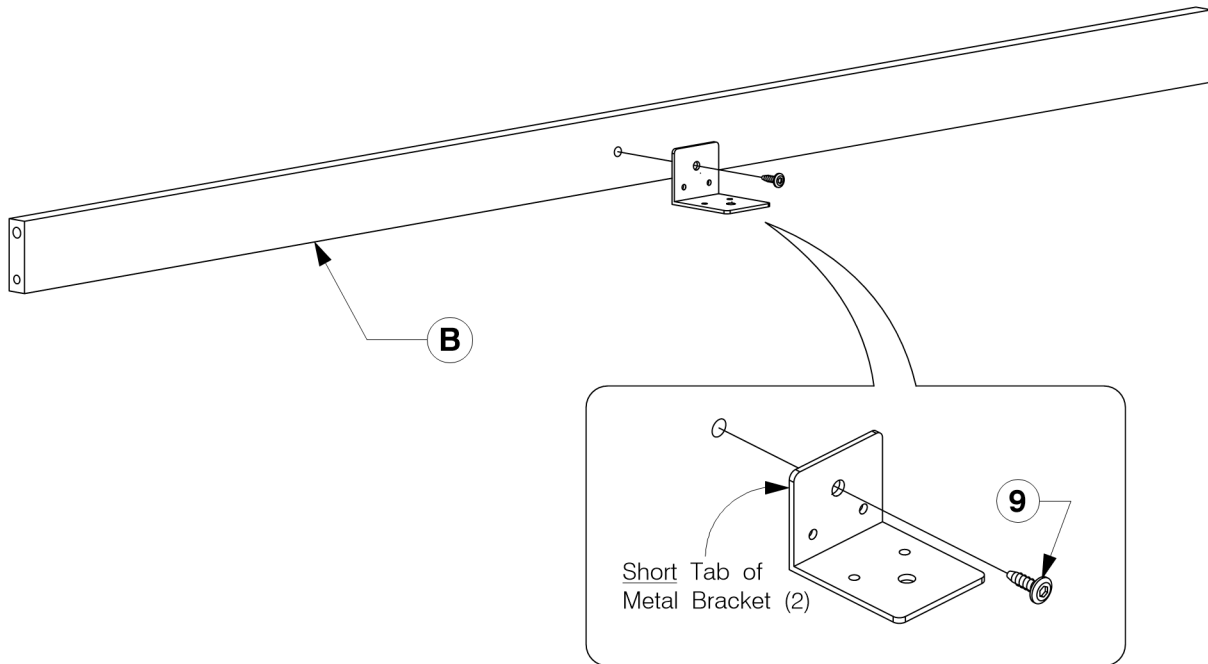


0084 Queen Bed

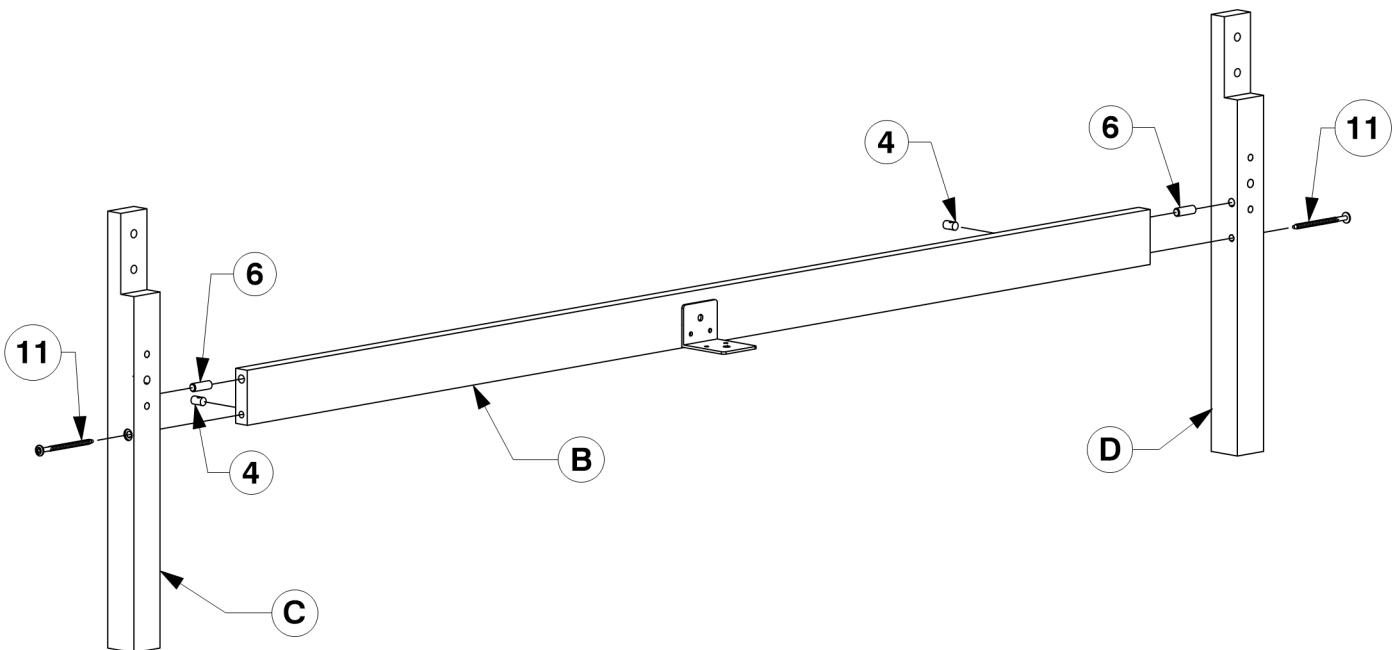
Assembly Instructions

WI-0622

- 7** Fit the Center Rail Bracket to the Headboard Support (B).



- 8** Assemble the Headboard Support (B) to the Headboard Post (C & D).

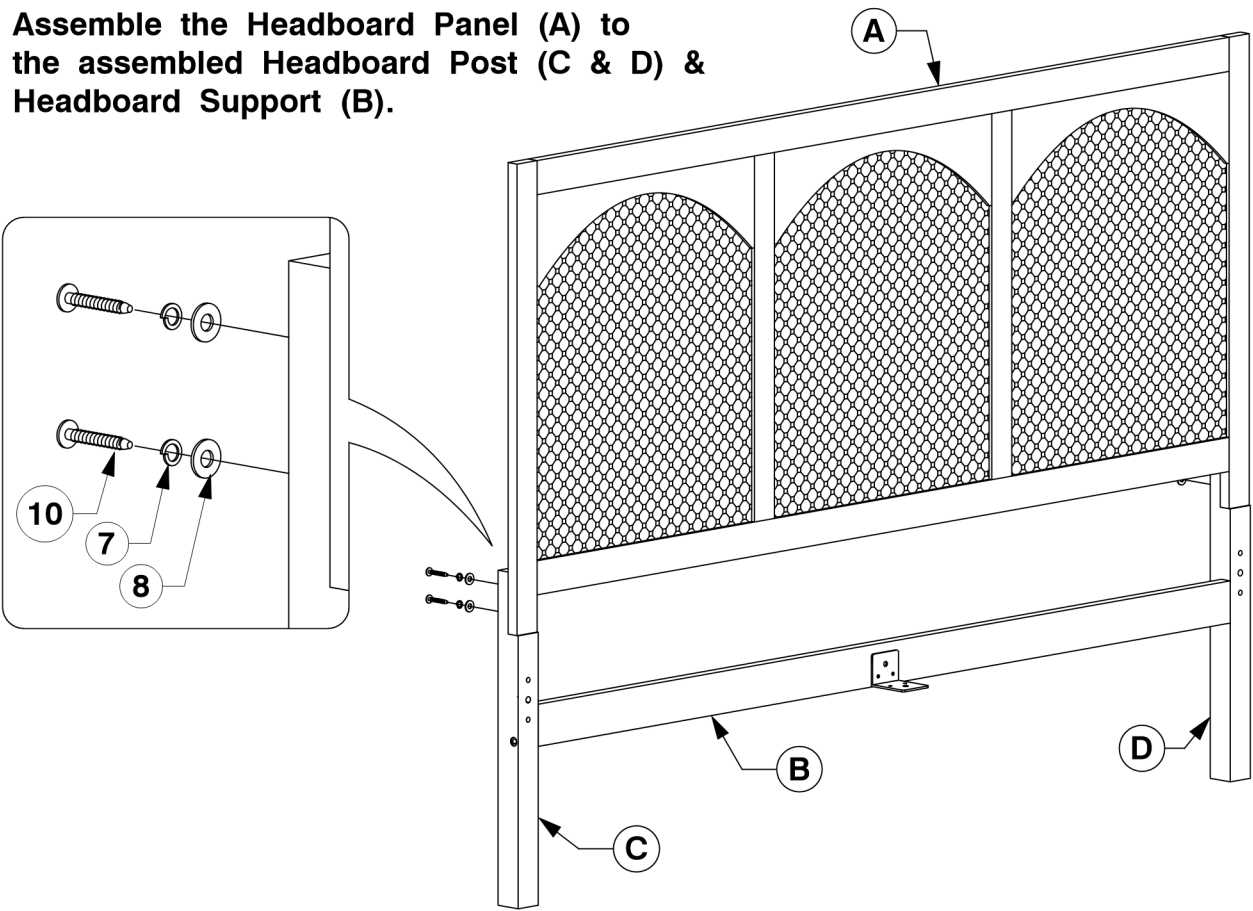


0084 Queen Bed

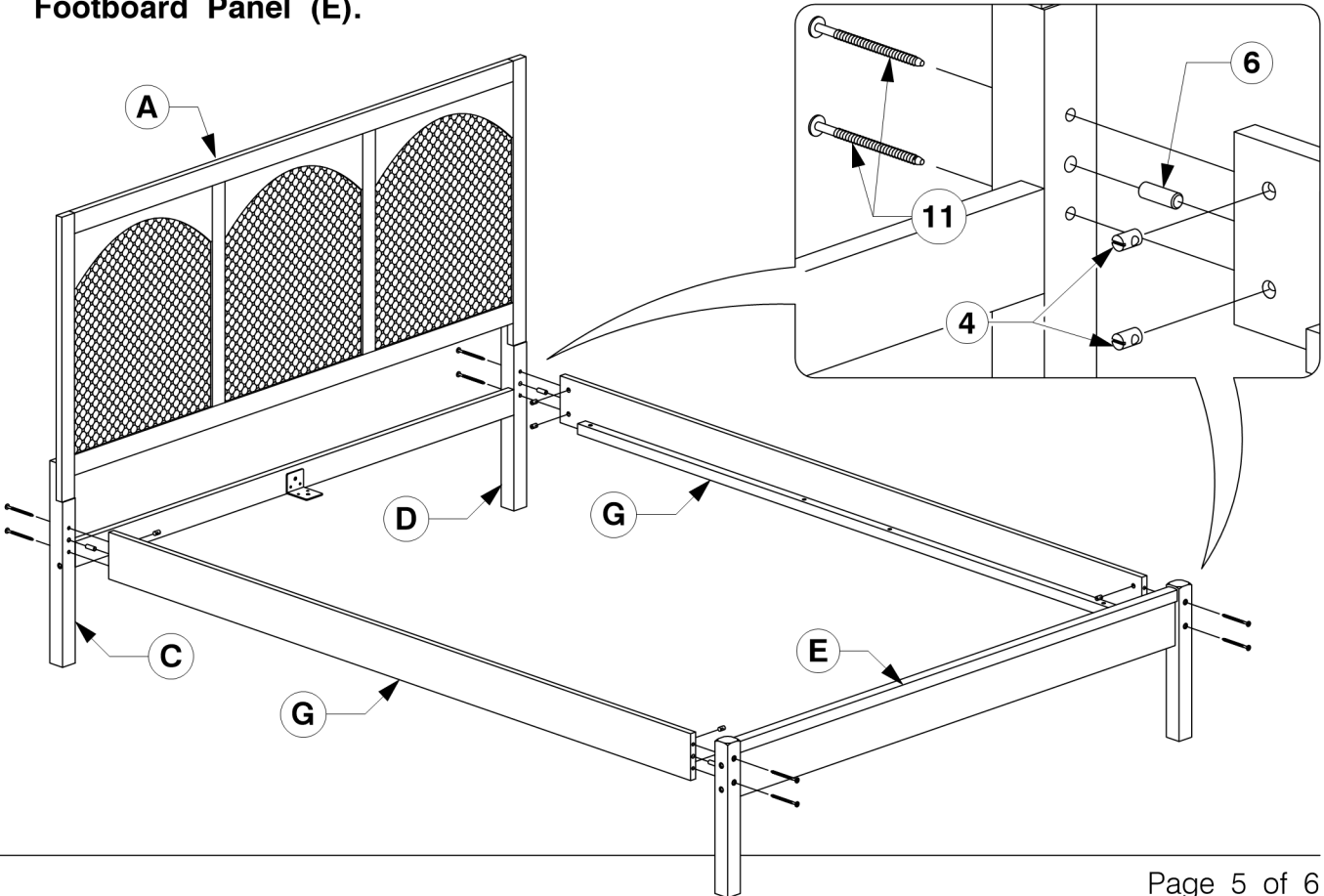
Assembly Instructions

WI-0622

- 9** Assemble the Headboard Panel (A) to the assembled Headboard Post (C & D) & Headboard Support (B).



- 10** Assemble the Side Rail (F) to the Headboard Post (C & D) and Footboard Panel (E).

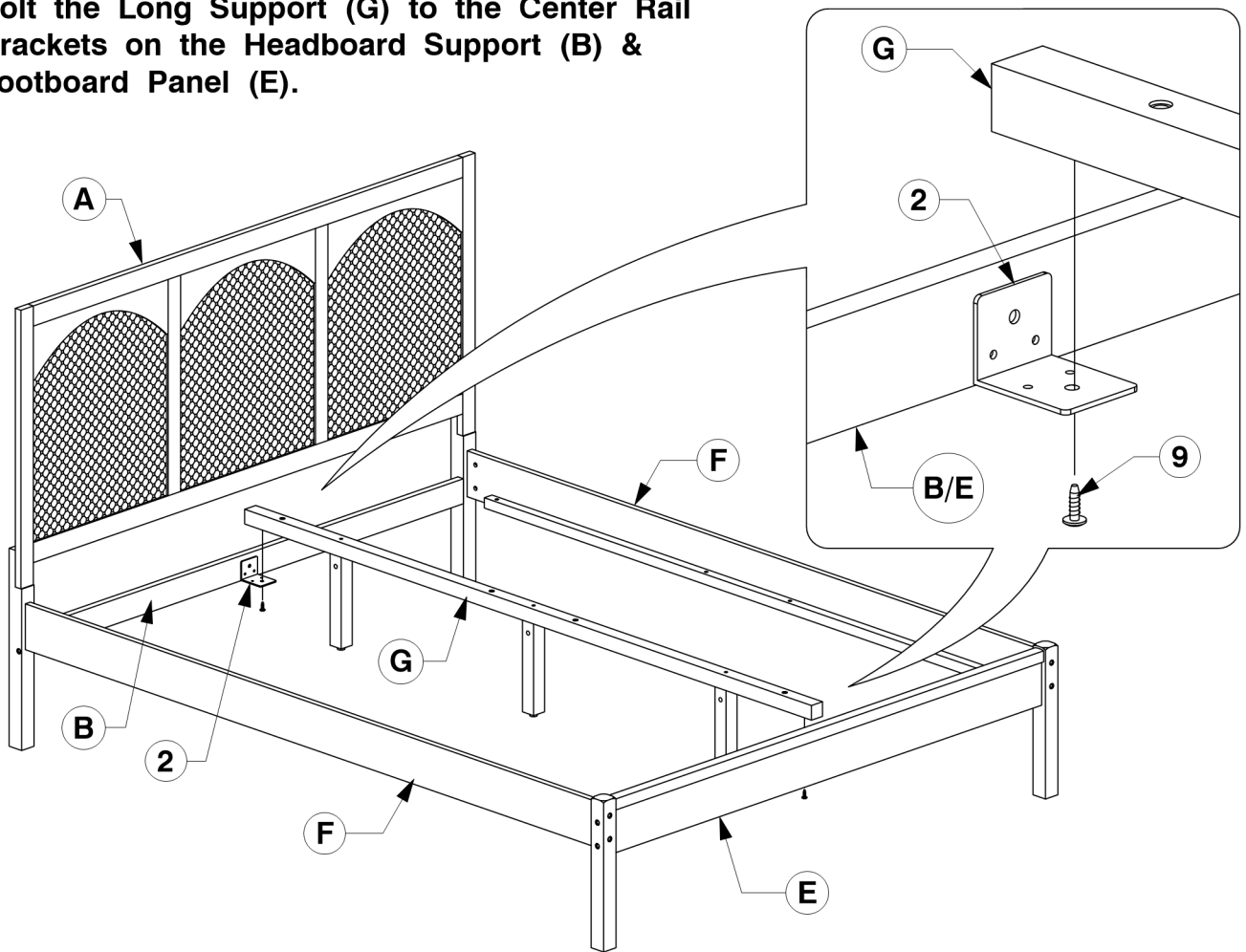


0084 Queen Bed

Assembly Instructions

WI-0622

- 11** Bolt the Long Support (G) to the Center Rail Brackets on the Headboard Support (B) & Footboard Panel (E).



- 12** Bolt & screw the Bed Slats (L) to the Side Rail (F).

