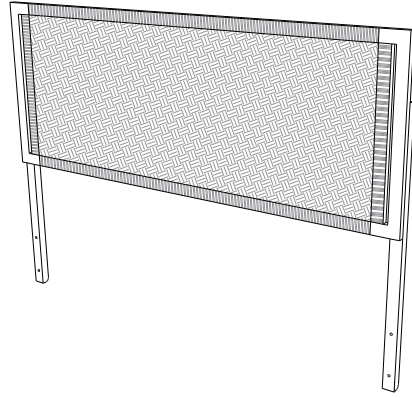


# HEADBOARD HOLTIZ

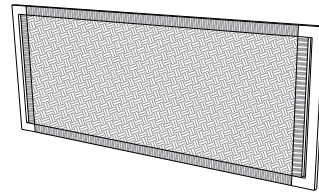


		Tools: 
--	--	------------

## HARDWAER LIST

<b>A</b>	
8 Pcs	

## PART LIST



1  
1 Pc

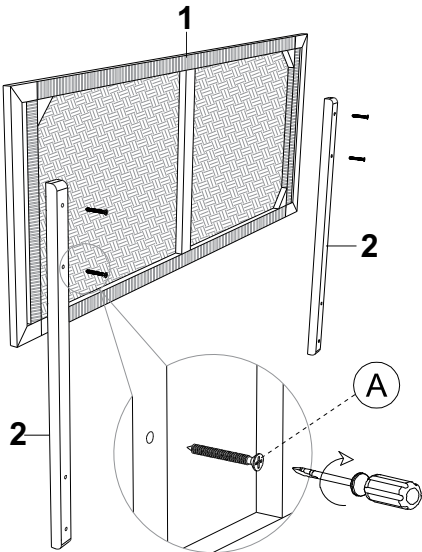


2  
2 Pcs

## ASSEMBLY STEPS

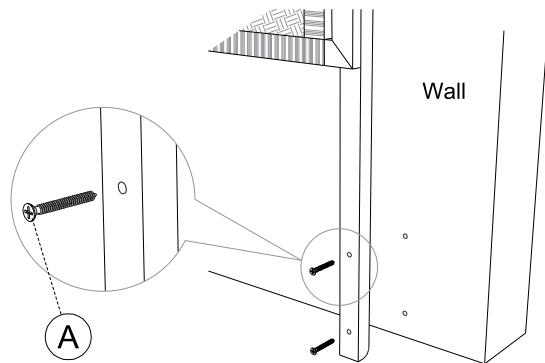
Attach part 2 to part 1 using screws with a screwdriver.

1



Attach the headboard to the wall with screws using a screwdriver and you're done.

2

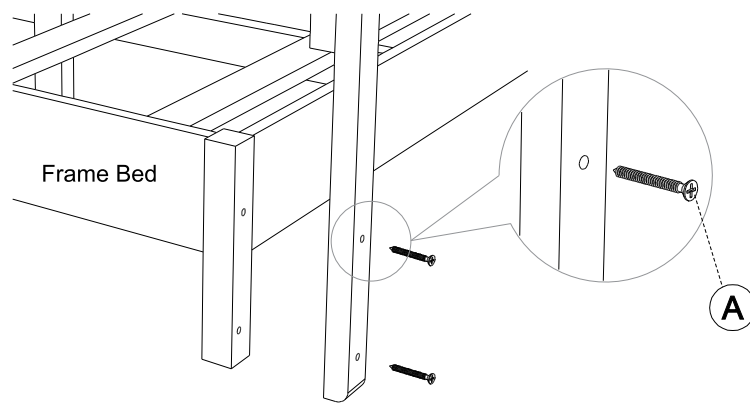


Fisher No Include

A X 4

Attach the headboard to the Frame Bed with screws using a screwdriver and you're done.

3



A X 4