

PRODUCT CODE : CS003C DINING CHAIR




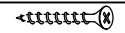


ASSEMBLY INSTRUCTIONS

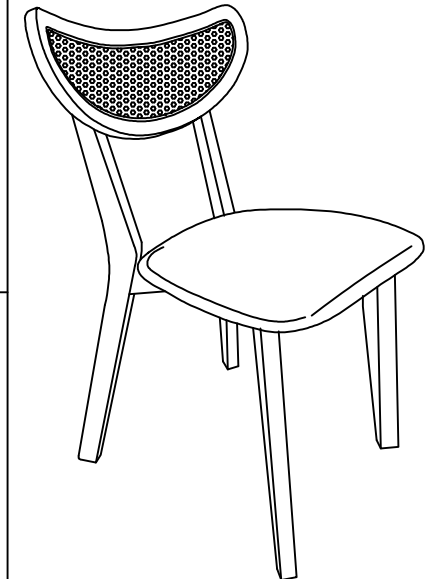
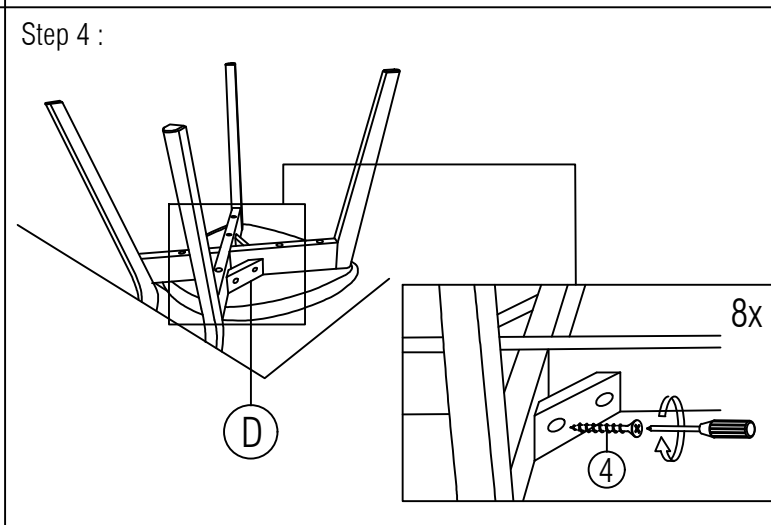
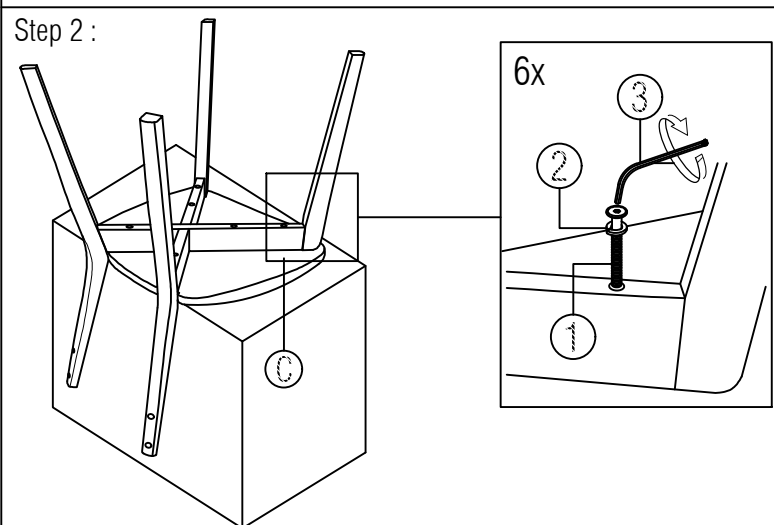
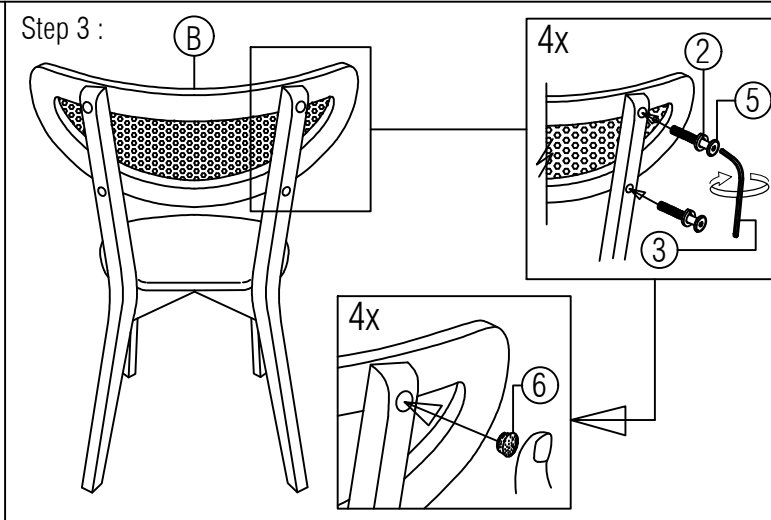
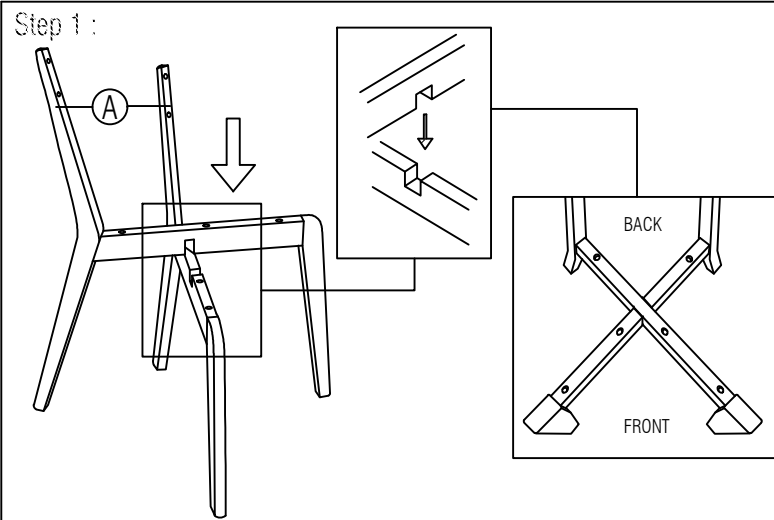
Read this instruction carefully. See hardware and furniture part list for guidance. Be sure all part is complete, before you assemble. Place all wooden furniture part on a clean and flat soft surface to prevent from being scratched. Follow the figure to start assembling.

CAUTIONS :

1. Do not FULLY-TIGHTEN the nut or nut bolt until all nut or bolt is ready assembled.
2. Do not OVER-TIGHTEN the nut or nut bolt to avoid causing damages to the thread.
3. Keep all hardware part out of reach of children.

PART LIST		
ITEM	DESCRIPTION	QTY
A	SIDE LEG FRAME - L & R	2 PCS
B	CAP FRAME	1 PC
C	CUSHION SEAT	1 PC
D	CORNER BLOCK	4 PCS

HARWARE LIST		
ITEM	DESCRIPTION	QTY
1	JCBC SCREW M6 x 50MM 	6 PCS
2	SPRING WASHER 1/4" 	10 PCS
3	ALLEN KEY (M4) LONG 	1 PC
4	CSK SCREW M4 x 25MM 	8 PCS
5	JCBC SCREW M6 x 30MM 	4 PCS
6	WOOD BUTTON Ø14.5 x 9MM 	4 PCS



COMPLETED CHAIR ASSEMBLY