

# PRODUCT CODE : CS003C DINING CHAIR




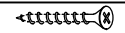


# ASSEMBLY INSTRUCTIONS

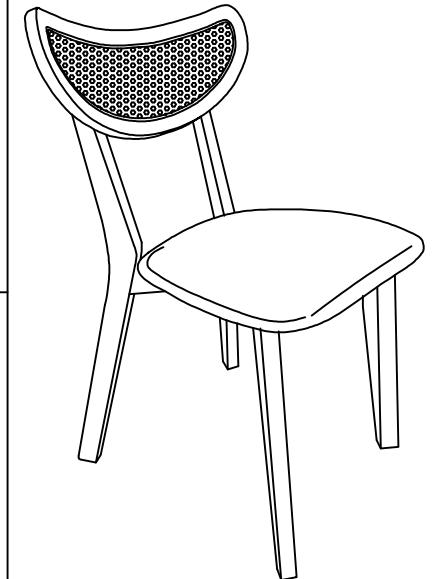
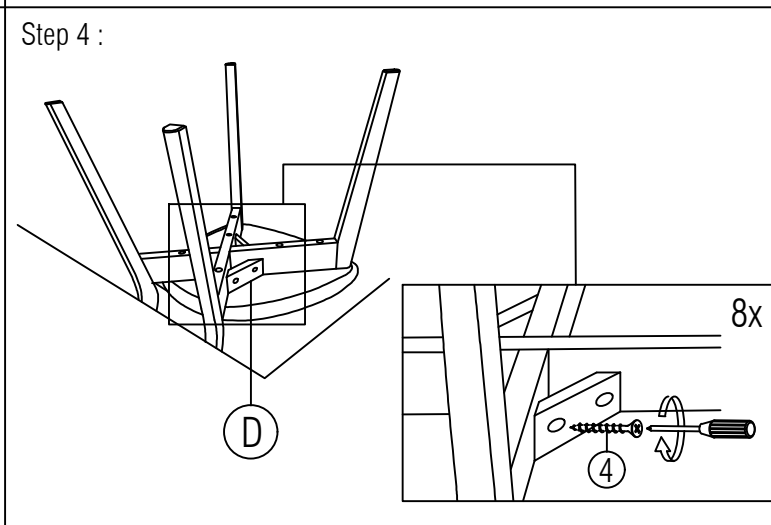
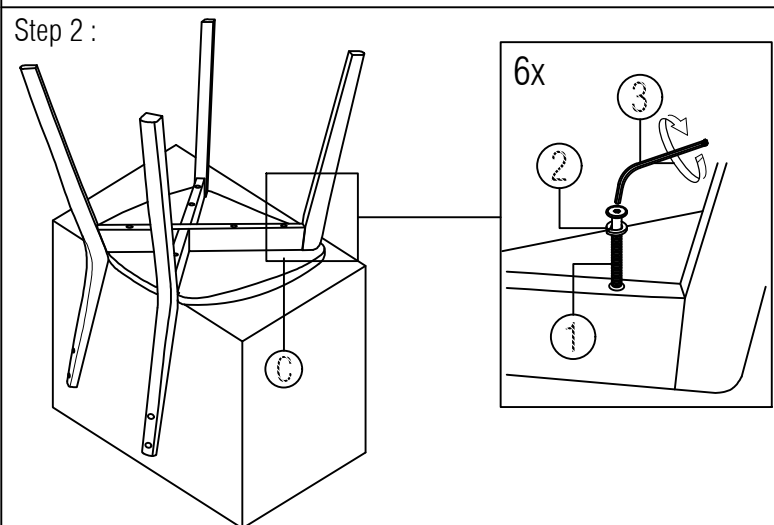
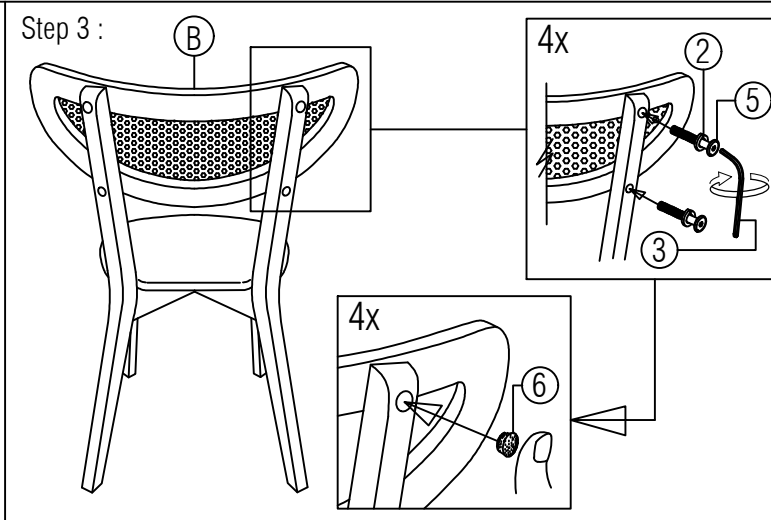
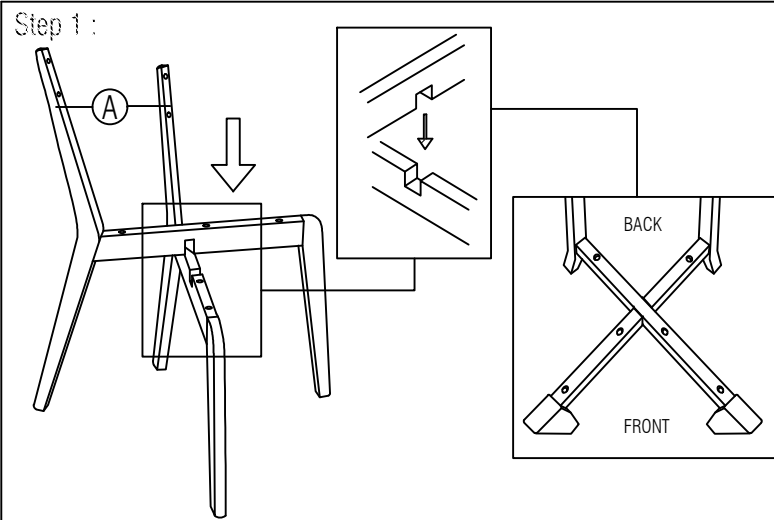
Read this instruction carefully. See hardware and furniture part list for guidance. Be sure all part is complete, before you assemble. Place all wooden furniture part on a clean and flat soft surface to prevent from being scratched. Follow the figure to start assembling.

### CAUTIONS :

1. Do not FULLY-TIGHTEN the nut or nut bolt until all nut or bolt is ready assembled.
2. Do not OVER-TIGHTEN the nut or nut bolt to avoid causing damages to the thread.
3. Keep all hardware part out of reach of children.

PART LIST		
ITEM	DESCRIPTION	QTY
A	SIDE LEG FRAME - L & R	2 PCS
B	CAP FRAME	1 PC
C	CUSHION SEAT	1 PC
D	CORNER BLOCK	4 PCS

HARWARE LIST		
ITEM	DESCRIPTION	QTY
1	JCBC SCREW M6 x 50MM 	6 PCS
2	SPRING WASHER 1/4" 	10 PCS
3	ALLEN KEY (M4) LONG 	1 PC
4	CSK SCREW M4 x 25MM 	8 PCS
5	JCBC SCREW M6 x 30MM 	4 PCS
6	WOOD BUTTON Ø14.5 x 9MM 	4 PCS



COMPLETED CHAIR ASSEMBLY

# ASSEMBLY INSTRUCTIONS

## MODEL : SHERWIN TABLE

Read this instruction carefully. Remove all wrapping material, staples and straps from the carton. See hardware and furniture part list for guidance.

Be sure you have all parts before you start assembling. Place all wooden furniture parts on a clean and flat soft surface, such as a carpet or rug, to prevent from being scratched.

### CAUTION:

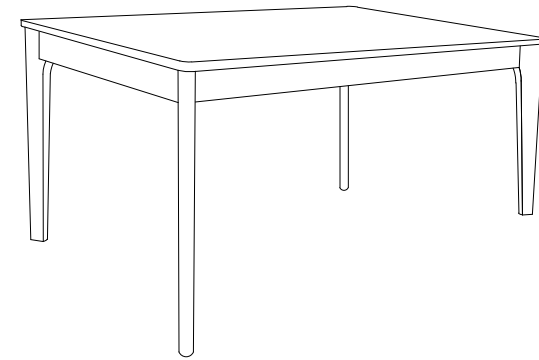
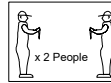
1. Do Not FULLY - TIGHTEN the nut or screw until all is ready to assemble.
2. Do Not OVER - TIGHTEN the nut or screw to avoid causing damages to the tread.
3. Keep all hardware part out reach of children.

### Part List

No.	Description	Qty
A	Table Top	1 pc
B	Leg	4 pcs

### Hardware List

No.	Description	Qty
1	JCBC M6 x 80mm	8 pcs
2	Spring Washer M6	8 pcs
3	Flat Washer M6 x 19mm	8 pcs
4	Allen Key M4 x 110mm	1 pc



### Step 1

