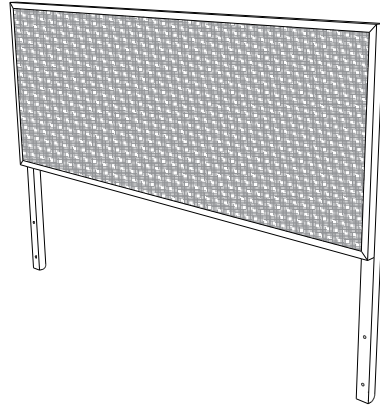


HEADBOARD CONCEPT

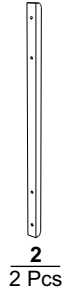
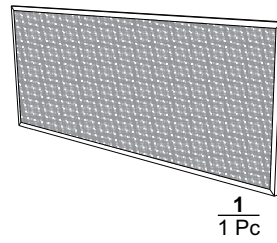


	20 Min	Tools:
--	--------	------------

HARDWAER LIST

A	
8 Pcs	

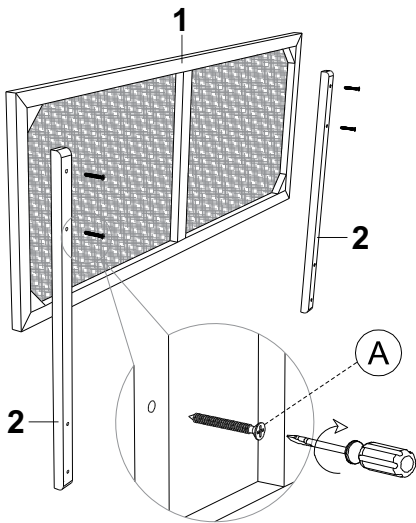
PART LIST



ASSEMBLY STEPS

Attach part 2 to part 1 using screws with a screwdriver.

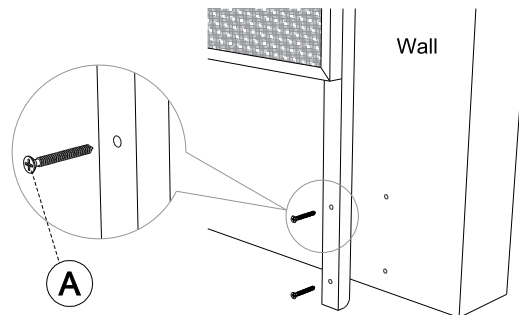
1



A X 4

Attach the headboard to the wall with screws using a screwdriver and you're done.

2

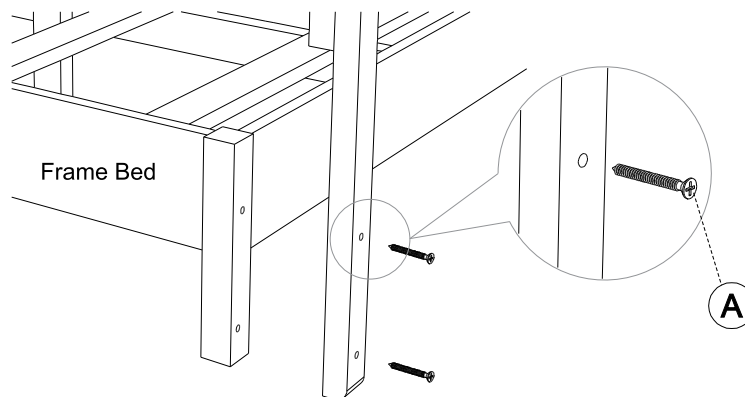


Fisher No Include

A X 4

Attach the headboard to the Frame Bed with screws using a screwdriver and you're done.

3



A X 4