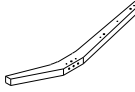
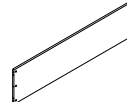
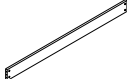

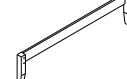
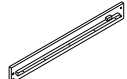
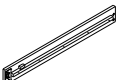
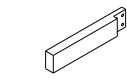
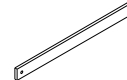
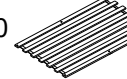



# SW 8521 - F/Q/K













## WARNING!!

- Remove hardware from box and sort by size.
- Please check to see that hardware and parts are present prior start of assembly.
- Please follow attached instruction in the same sequence numbered to ensure fast and easy assembly.
- Do not use this bed if any part is broken, torn or missing.
- The assembly of this product requires two people.
- Do not use any power tools as this may damage the frame and will invalidate any claim.

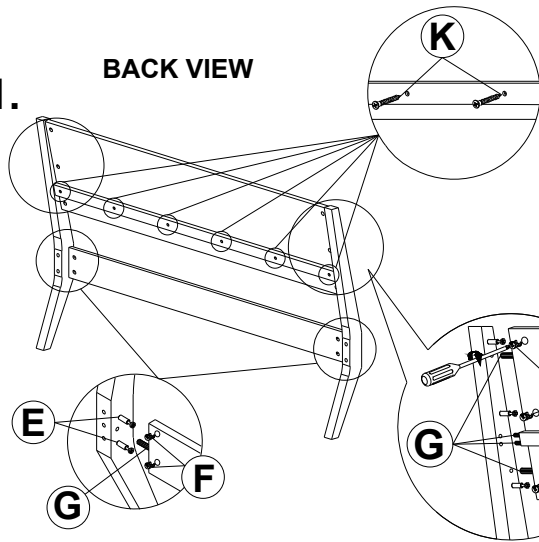
## PART LIST

P1		Headboard Post = L-1pc = R-1pc
P2		Headboard Panel = 1pc
P3		Headboard Bottom Rail = 1pc
P4		Headboard Support = 1pc
P5		Footboard = 1pc
P6		Side Rail Hole = L-1pc = R-1pc
P7		Side Rail L-Bracket = L-1pc = R-1pc
P8		Support Side Leg = 2pcs
P9		Center Rail = 2pcs
P10		Bed Slats = 14pcs
P11		Support Leg = 4pcs

## HARDWARE LIST

A		M6 X 90MM JCBC = 4pcs
B		M6 X 50MM JCBC = 4pcs
C		M6 X 30MM JCBC = 8pcs
D		M8 X 20MM JCBB = 4pcs
E		CAMLOCK SCREW = 10pcs
F		MINIFIX HOUSING 15*12MM = 10pcs
G		M8 X 30MM WOOD DOWEL = 12pcs
H		BARREL NUT = 4pcs
I		ALLEN KEY M4 = 1pc
J		ALLEN KEY M5 = 1pc
K		M4 X 25MM SCREW = 14pcs
L		ADJUSTER = 6pcs

### 1. BACK VIEW



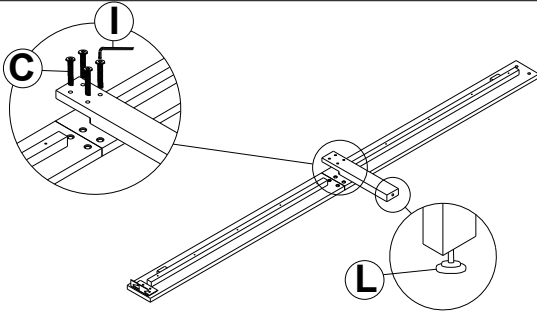
Attach the headboard panel (P2), headboard bottom rail (P3) and headboard support (P4) to the headboard post (P1). You will need to use hardware:

E = 10pcs  
F = 10pcs  
G = 10pcs

Attach the headboard support (P4) to the headboard panel (P2). You will need to use hardware:

K = 6pcs

### 2.



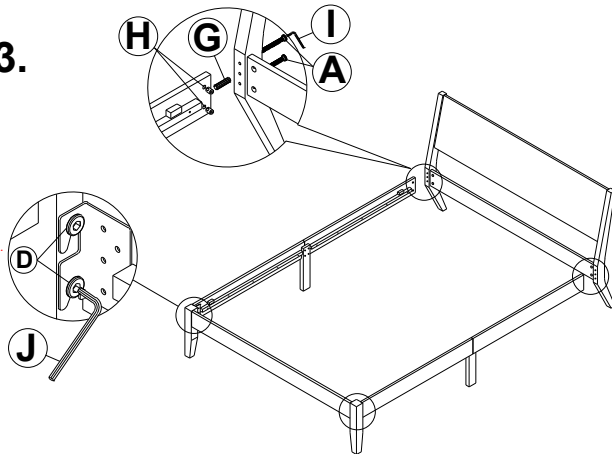
Fix the adjuster (L) to the support side leg (P8) using hardware:

L = 2pcs

Attach the support side leg (P8) to the side rail hole (P6) and side rail L-bracket (P7) using hardware:

C = 8pcs  
I = 1pc

### 3.



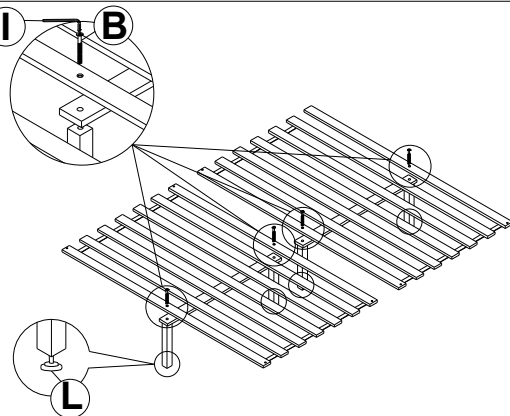
Attach the side rail I-bracket (P7) to the footboard (P5) using hardware:

D = 4pcs  
J = 1pc

Then, attach the side rail hole (P6) to the headboard post (P1) using hardware:

A = 4pcs  
G = 2pcs  
H = 4pcs  
I = 1pc

### 4.



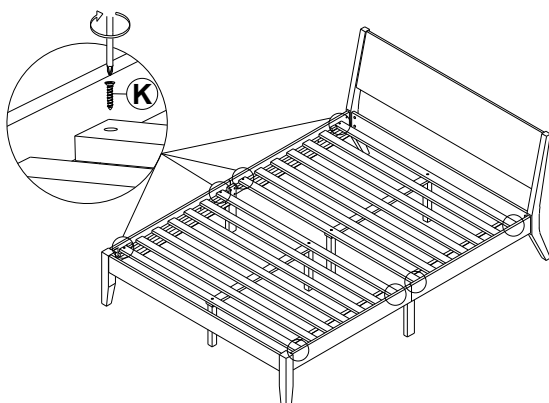
Fix the adjuster (L) to the support leg (P11) using hardware:

L = 4pcs

Attach the support leg (P11) to the center rail (P9) and bed slats (P10) using hardware:

B = 4pcs  
I = 1pc

### 5.



Lay the bed slats (P10) between the side rail hole (P6) and side rail I-bracket (P7) using hardware:

K = 8pcs

**\*\*Apply pressure with your knee to the side rail whilst attaching the slats to ensure that the slats are flush against the inside of side rail\*\***

