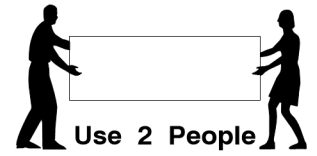
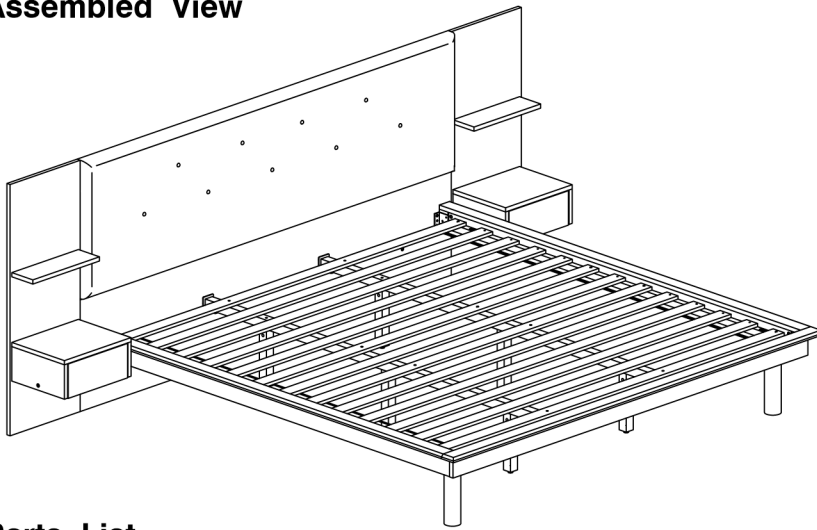


0086 King Bed

Assembly Instructions

WI-0622

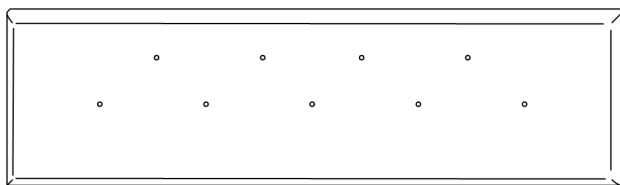
1 Assembled View



Note: Do not assemble using power tools. This can cause the bolts to be overtightened

2 Parts List

Parts in Box A:



A Headboard Panel (Upper) x 1

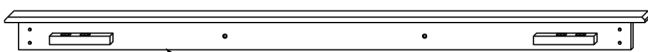


B Headboard Panel (Lower) x 1

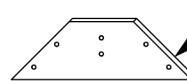


C
Support Bar
x 2

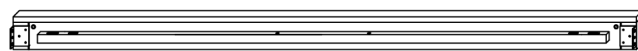
Parts in Box B:



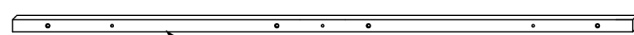
D Footboard Panel x 1



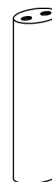
H Support Panel x 2



E Side Rail x 2



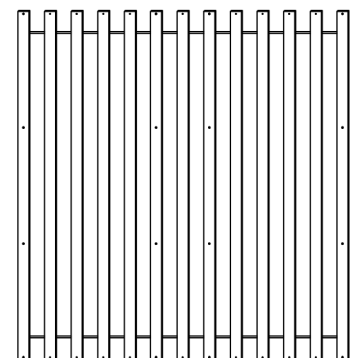
F Long Support x 2



J
Post
x 2



G Support Leg x 6



K Set of Bed Slats x 1

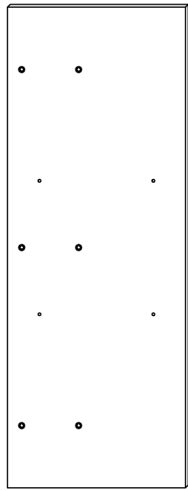
0086 King Bed

Assembly Instructions

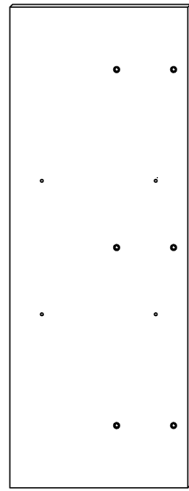
WI-0622

2 Parts List

Parts in Box C:



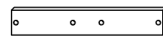
L Side Panel (Left Hand) x 1



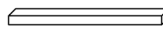
M Side Panel (Right Hand) x 1



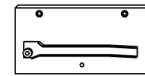
N Shelf Panel x 2



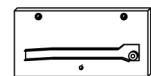
O Headboard Support Rail x 6



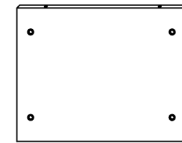
P Drawer Unit-Support Rail x 2



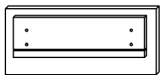
Q Drawer Unit - Side Panel (Left Hand) x 2



R Drawer Unit-Side Panel (Right Hand) x 2



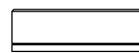
S Drawer Unit-Top Panel x 2



T Drawer Unit-Drawer Face x 2



U Drawer Unit-Drawer Side x 4

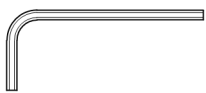


V Drawer Unit-Drawer Back x 2

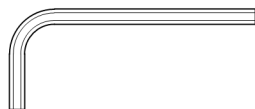


W Drawer Unit-Drawer Bottom x 2

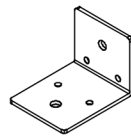
3 Hardware List



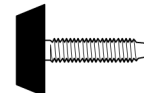
1 M4 Allen Key x 1



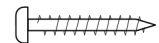
2 M5 Allen Key x 1



3 Center Rail Bracket x 4



4 Adjustable Foot x 6



5 Wood Screw (M4 x 32mm) x 18



6 Wood Screw (M4 x 25mm) x 16



7 'L' Bracket (5005-3) x 8



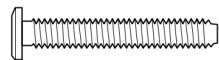
8 Barrel Nut x 6



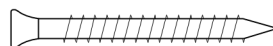
9 Spring Washer x 46



10 Flat Washer x 46



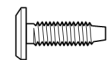
11 M8 x 50mm JCB x 4



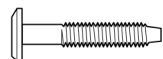
12 CSK Cap Wood Screw (M5 x 50mm) x 8



13 M6 x 15mm JCB x 24



14 M6 x 20mm JCB x 8



15 M6 x 35mm JCB x 38



16 M6 x 40mm JCB x 16



17 M6 x 50mm JCB x 8



18 M6 x 90mm JCB x 6

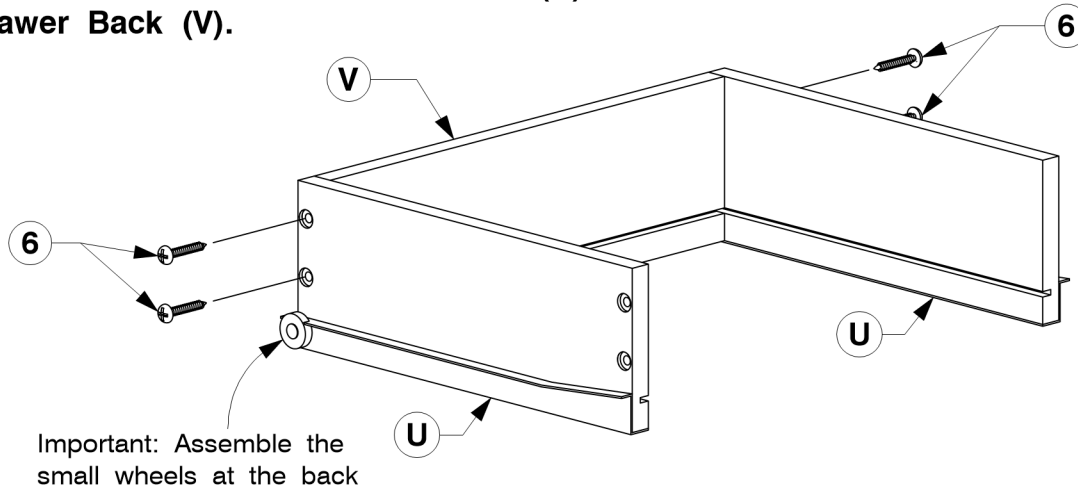
0086 King Bed

Assembly Instructions

WI-0622

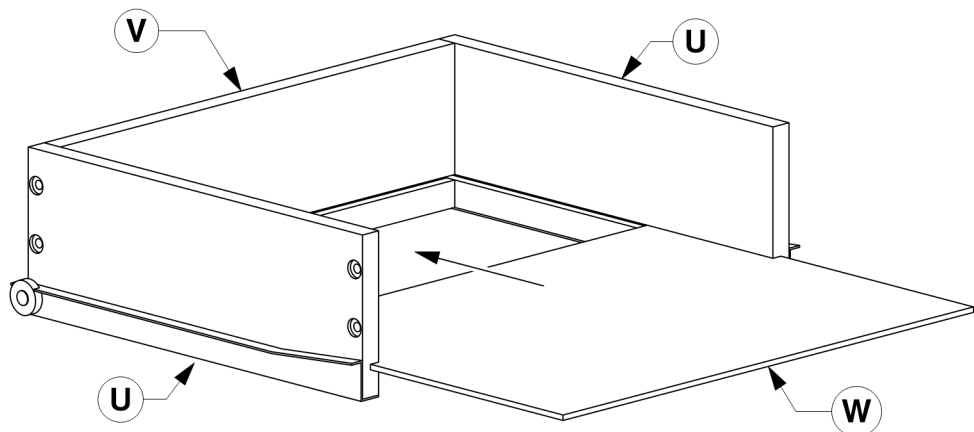
- 4** Assemble the Drawer Sides (U) to the Drawer Back (V). Make sure the small wheels on the Drawer Sides (U) are next to the Drawer Back (V).

x2



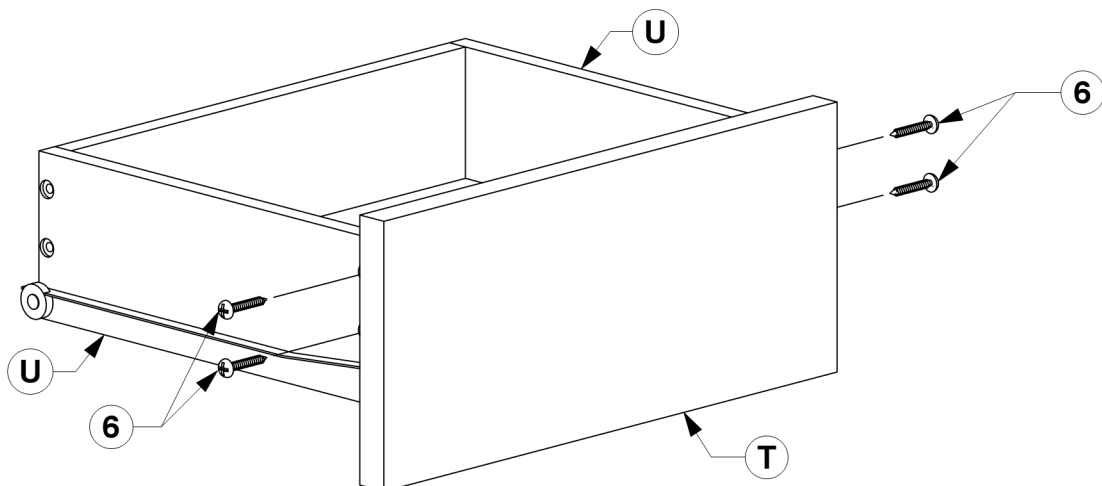
- 5** Slide the Drawer Bottom (W) into the groove on the Drawer Sides (U).

x2



- 6** Assemble the Drawer Face (T) to the Drawer Sides (U).

x2

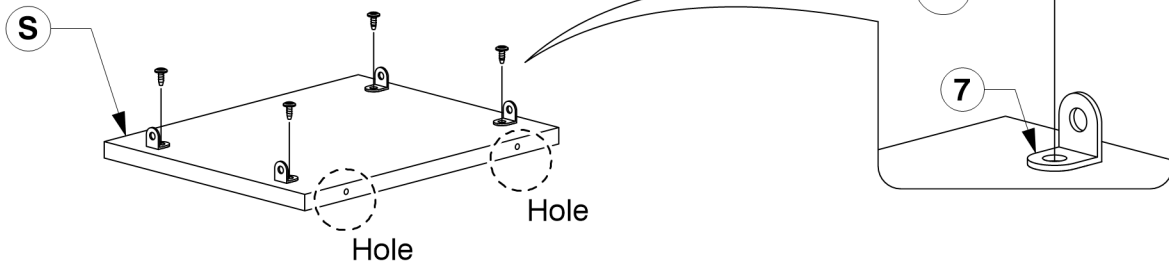


0086 King Bed

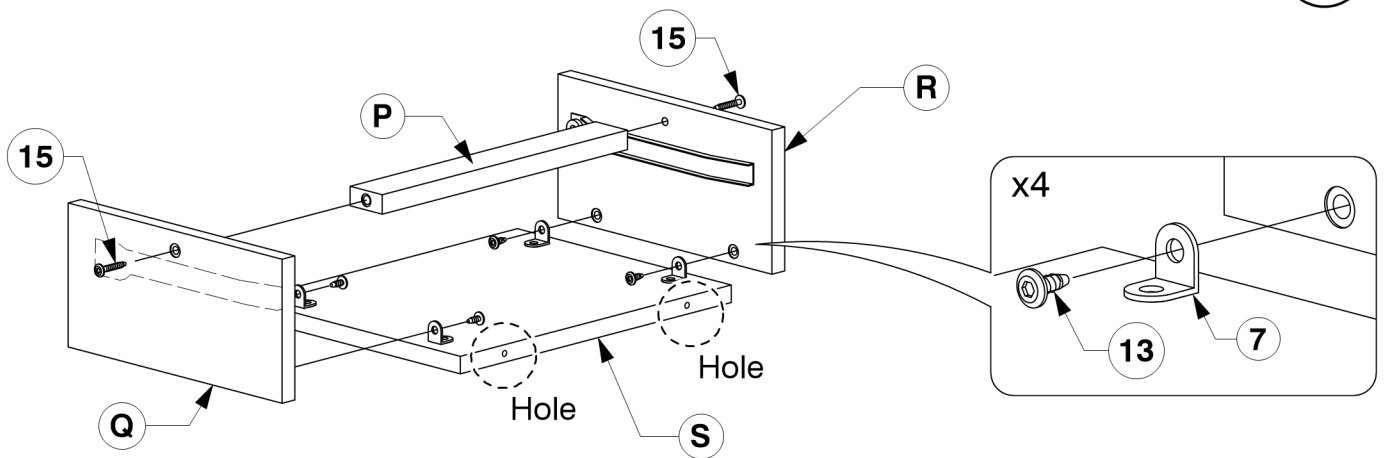
Assembly Instructions

WI-0622

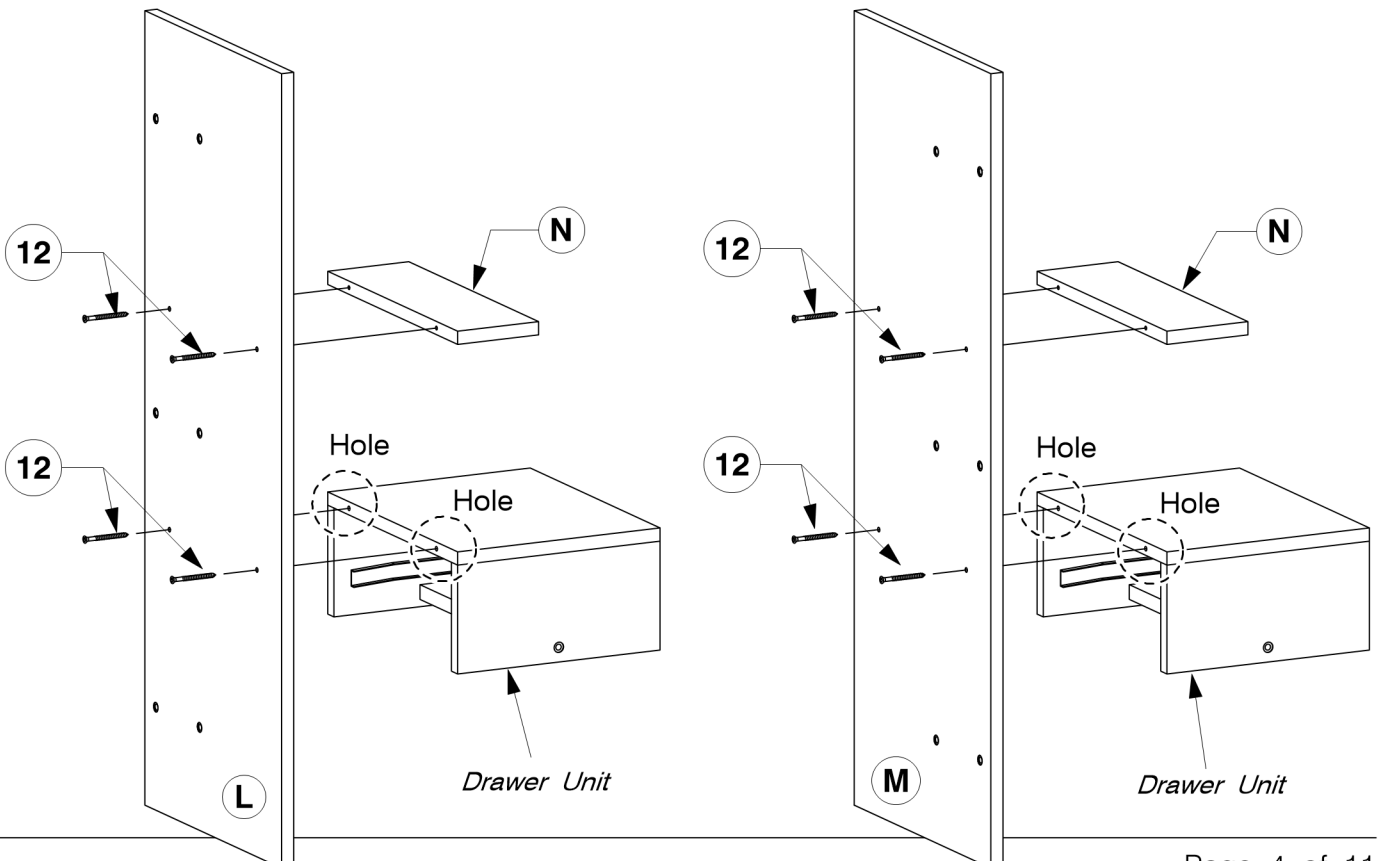
- 7** Fit 'L' Bracket (7) to the Drawer Unit-
Top Panel (S).



- 8** Assemble the Drawer Unit- Left & Right Side Panel (Q & R)
to the Support Rail (P) & Top Panel (S).



- 9** Fit the Shelf Panel (N) & Drawer Unit to the Left & Right Side Panel (L & M) .

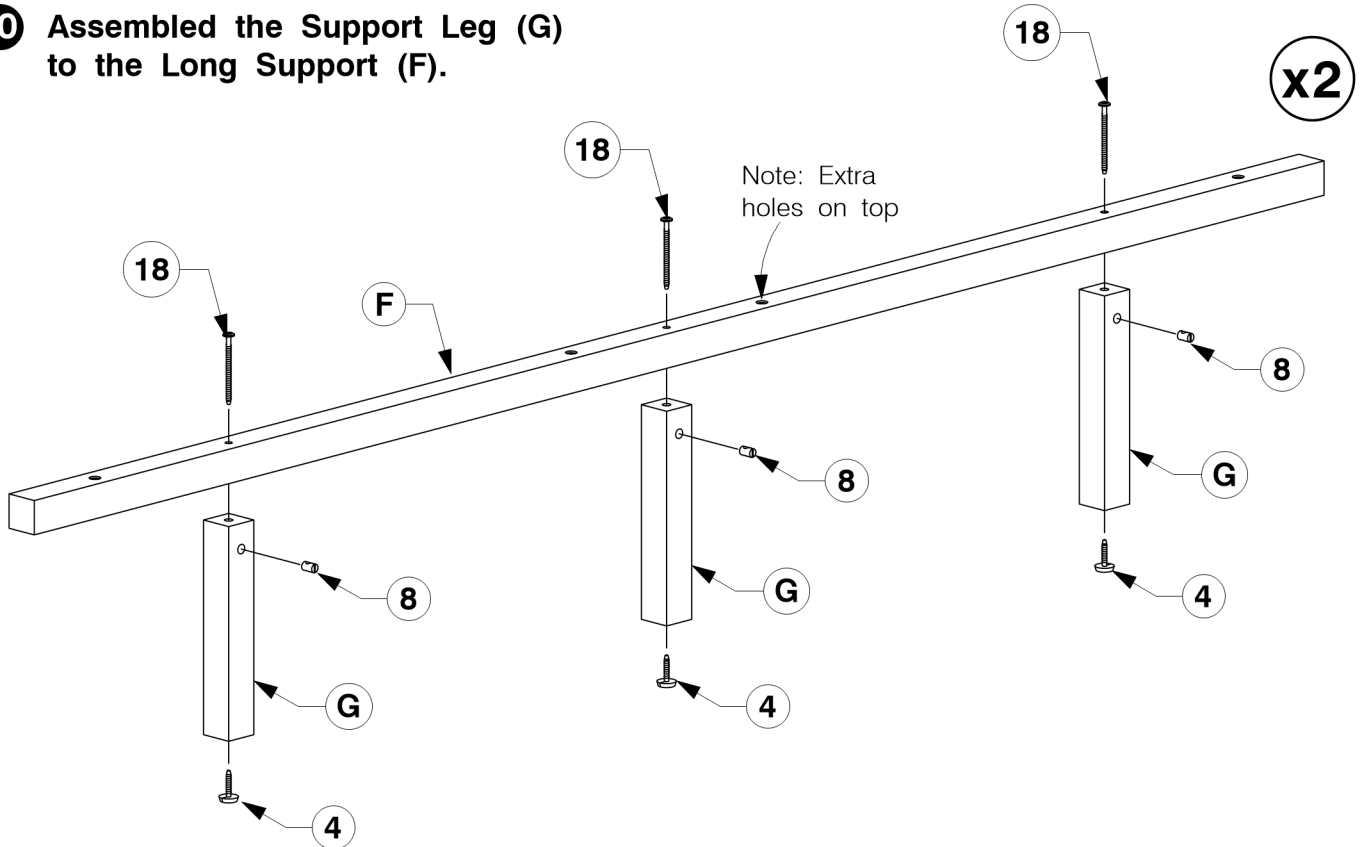


0086 King Bed

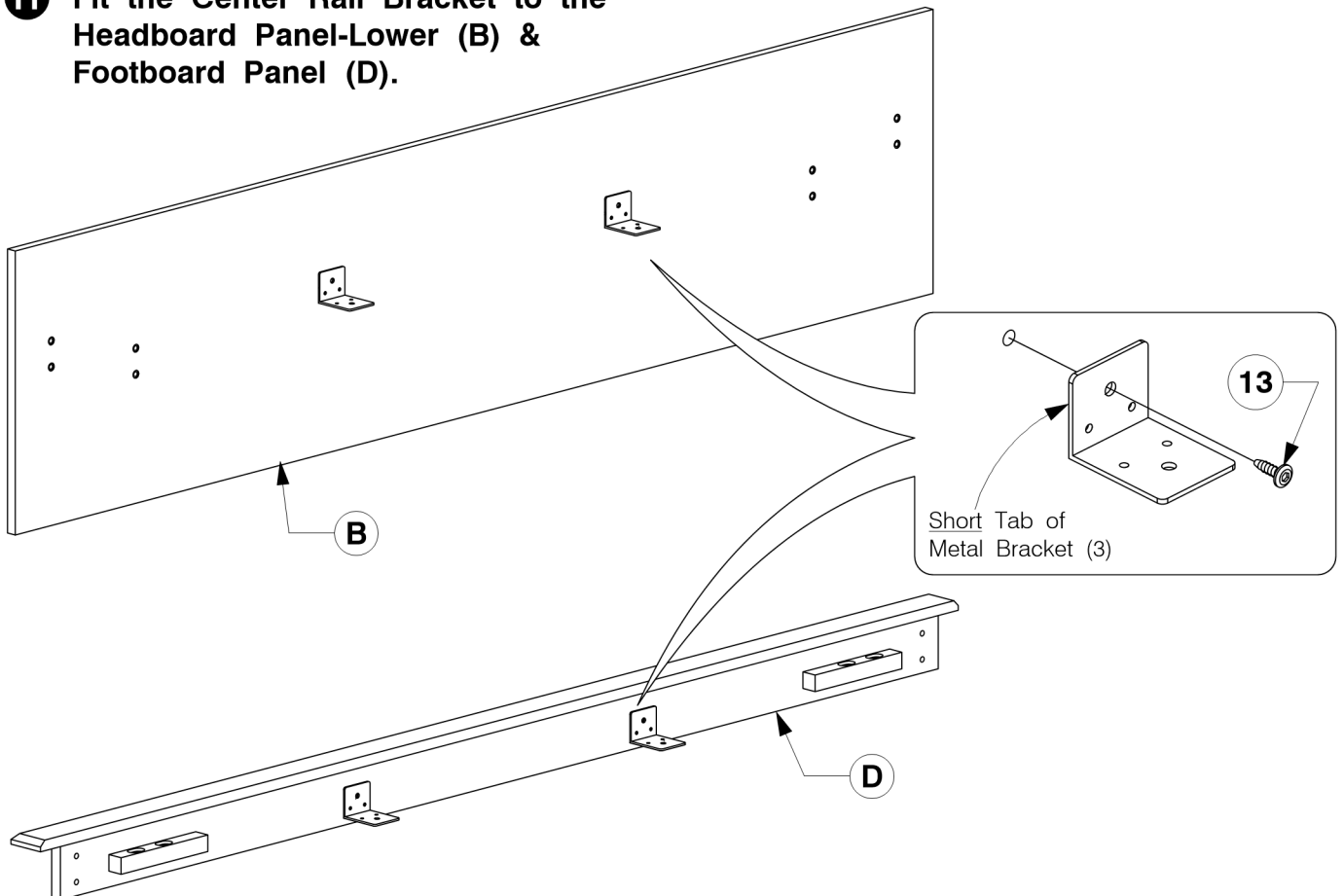
Assembly Instructions

WI-0622

- 10** Assembled the Support Leg (G) to the Long Support (F).



- 11** Fit the Center Rail Bracket to the Headboard Panel-Lower (B) & Footboard Panel (D).



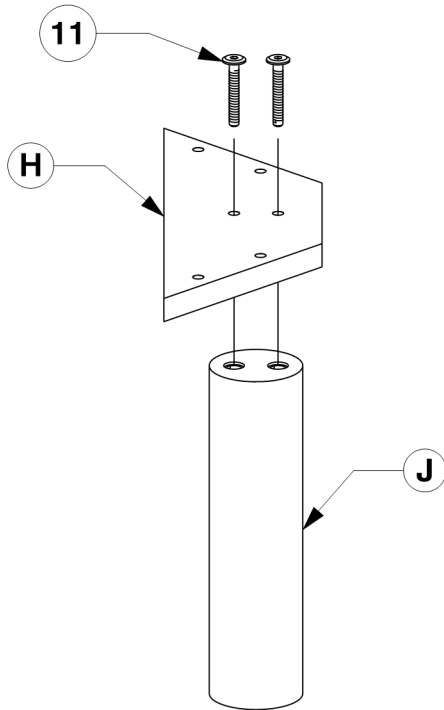
0086 King Bed

Assembly Instructions

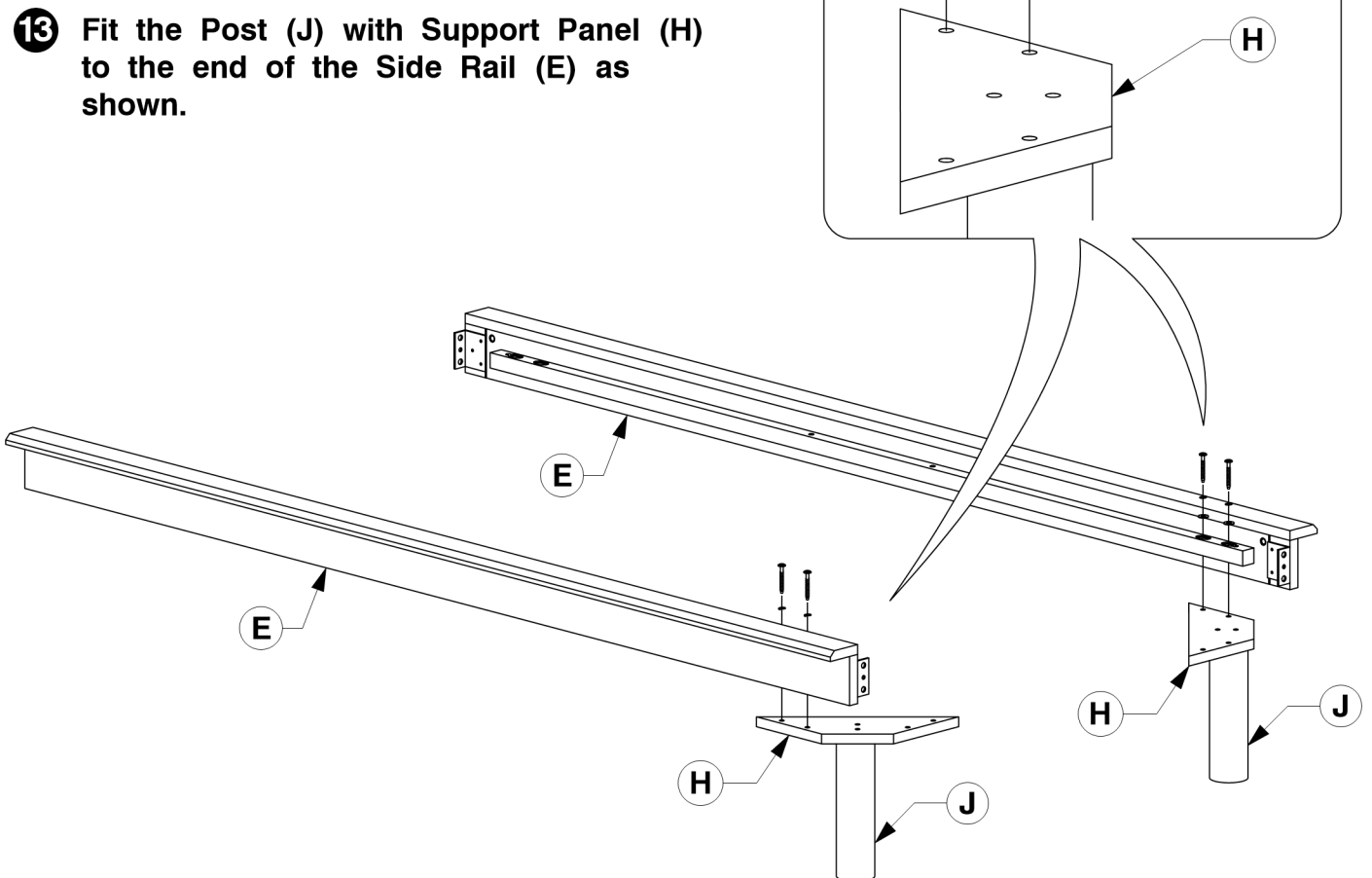
WI-0622

12 Fit the Post (J) to the Support Panel (H).

x2



13 Fit the Post (J) with Support Panel (H) to the end of the Side Rail (E) as shown.

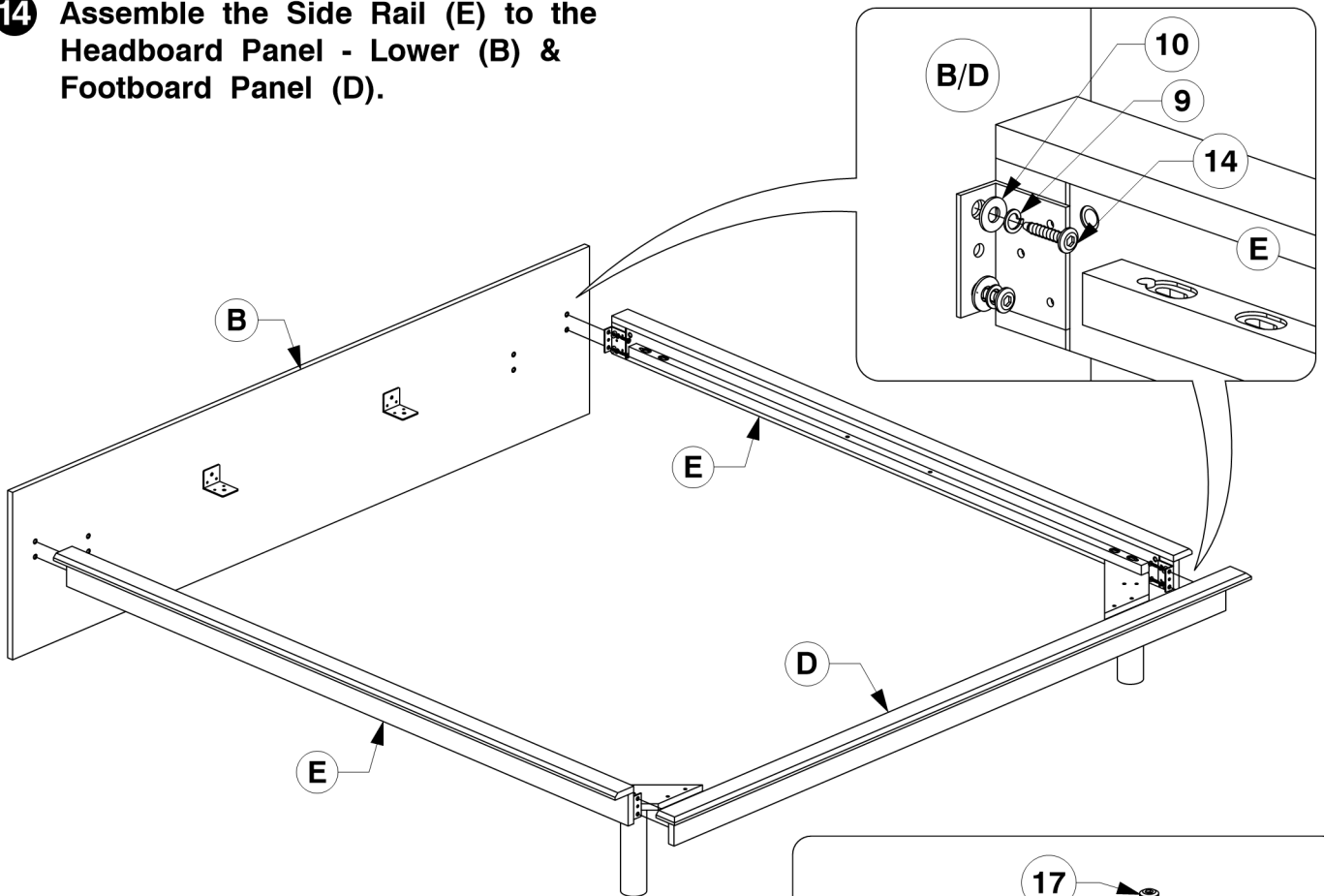


0086 King Bed

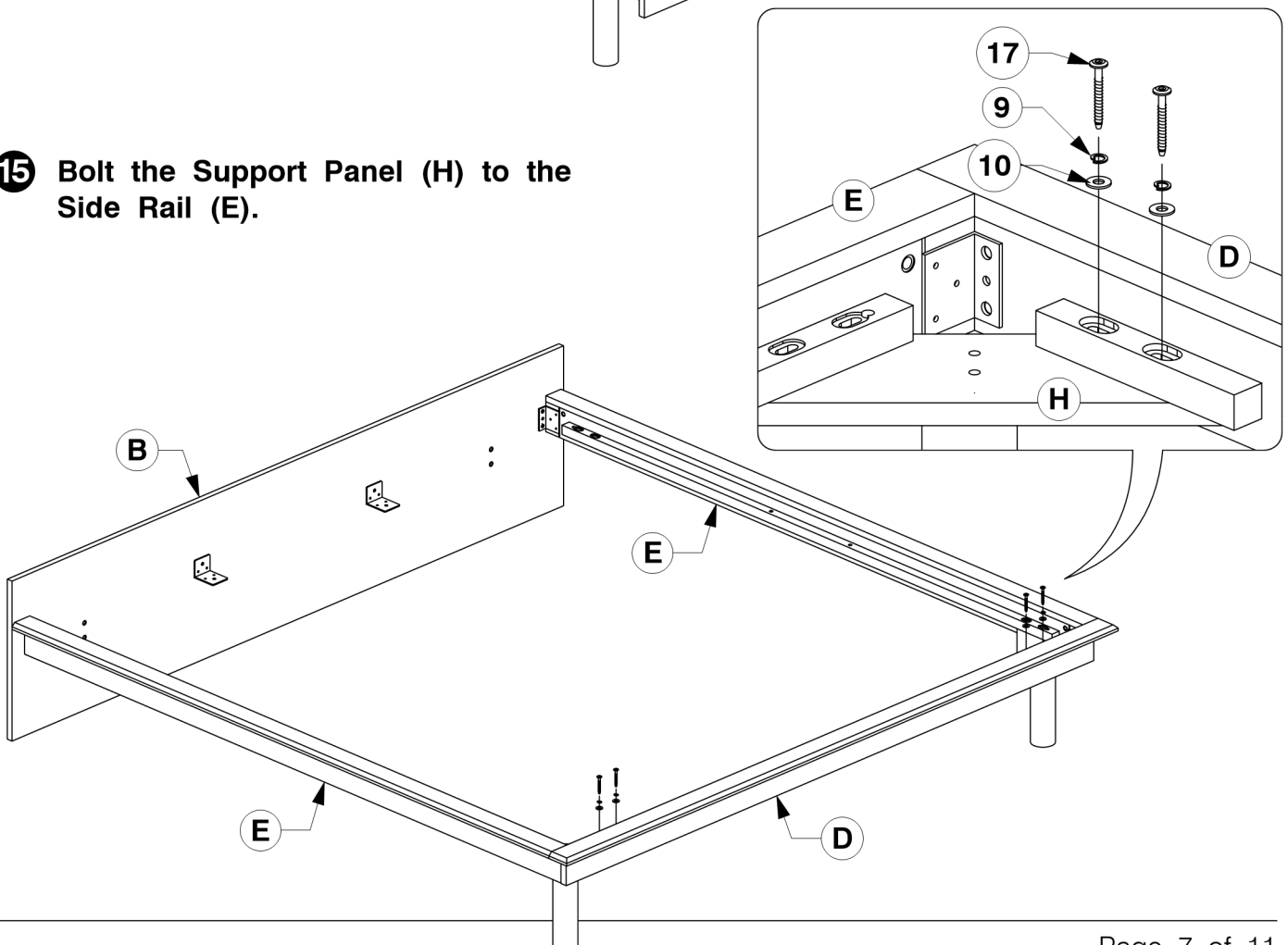
Assembly Instructions

WI-0622

- 14** Assemble the Side Rail (E) to the Headboard Panel - Lower (B) & Footboard Panel (D).



- 15** Bolt the Support Panel (H) to the Side Rail (E).

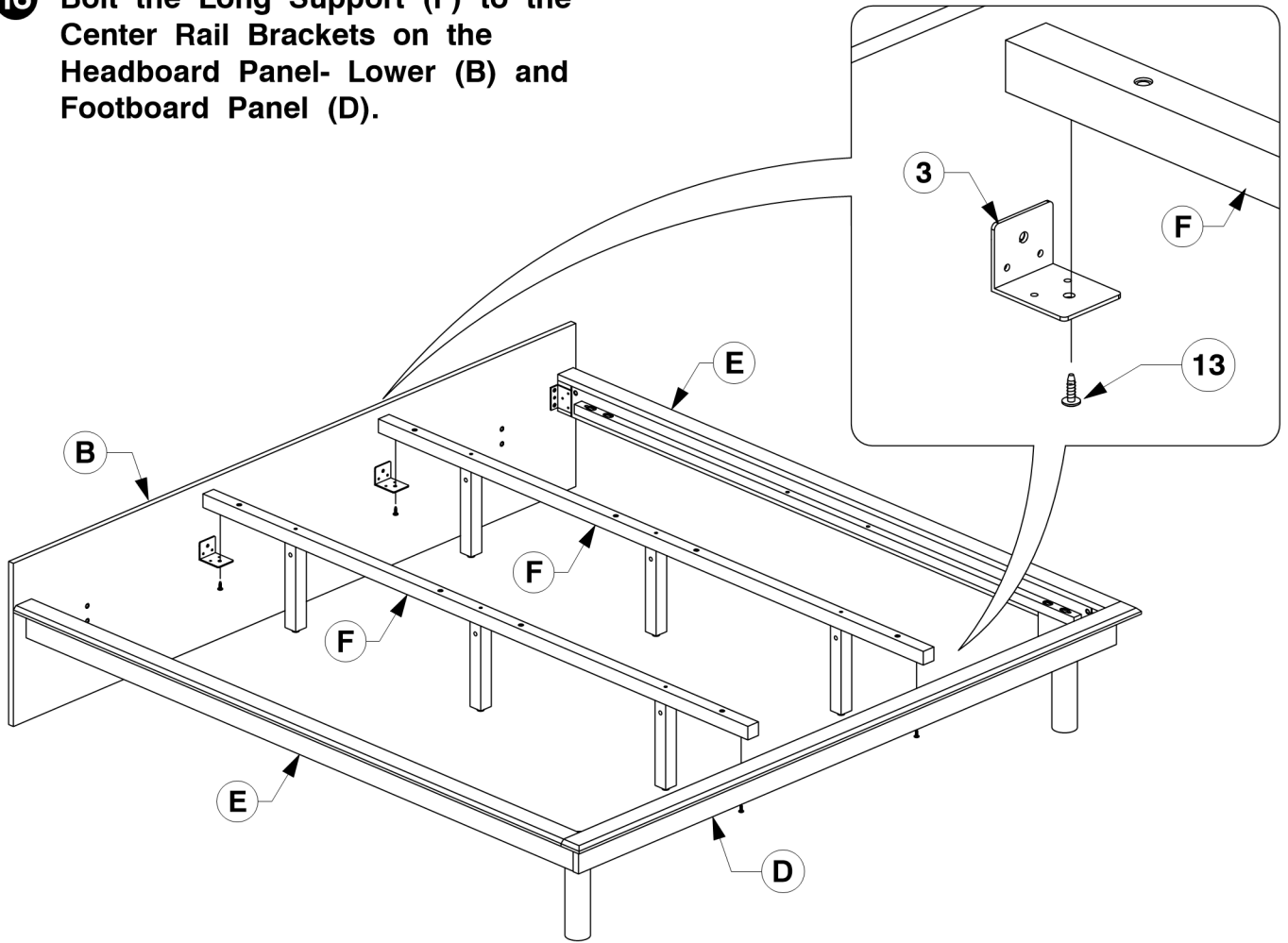


0086 King Bed

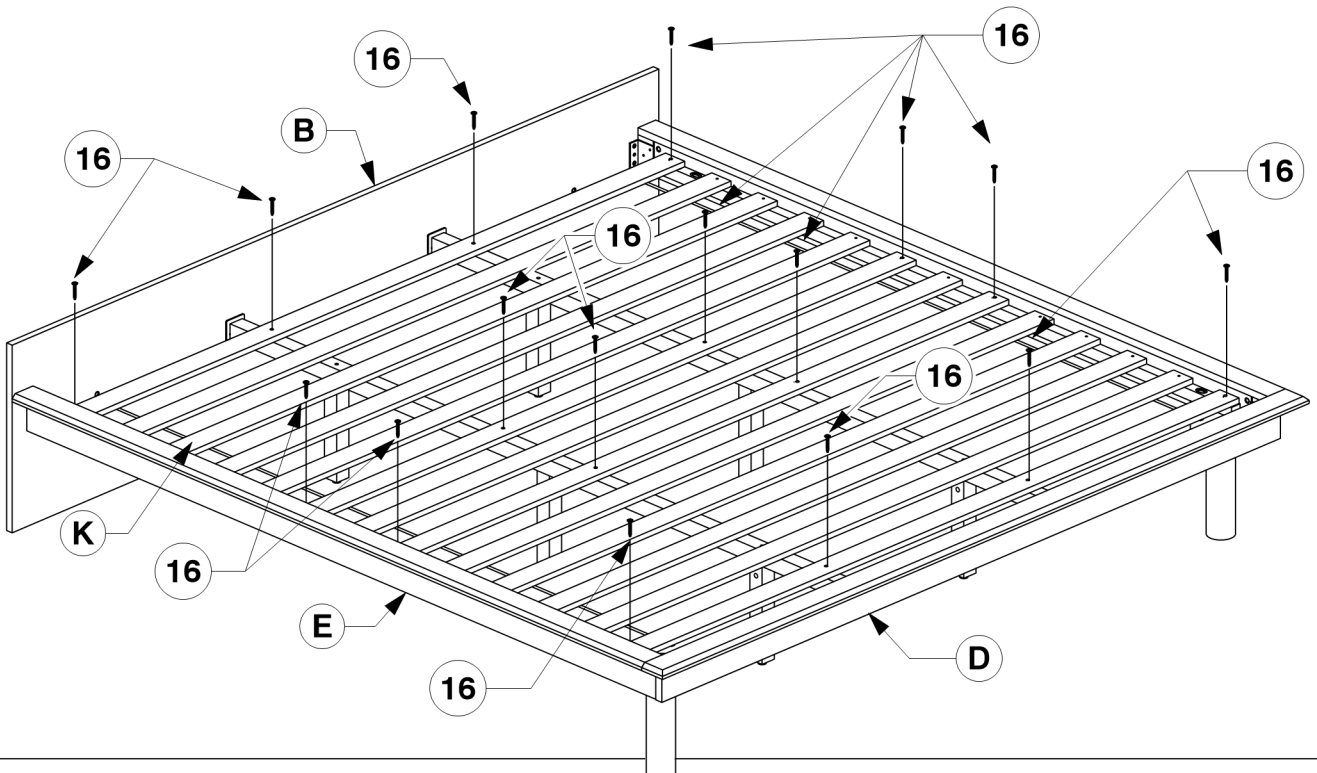
Assembly Instructions

WI-0622

- 16** Bolt the Long Support (F) to the Center Rail Brackets on the Headboard Panel- Lower (B) and Footboard Panel (D).



- 17** Bolt the Bed Slats (K) to the Side Rail (E).

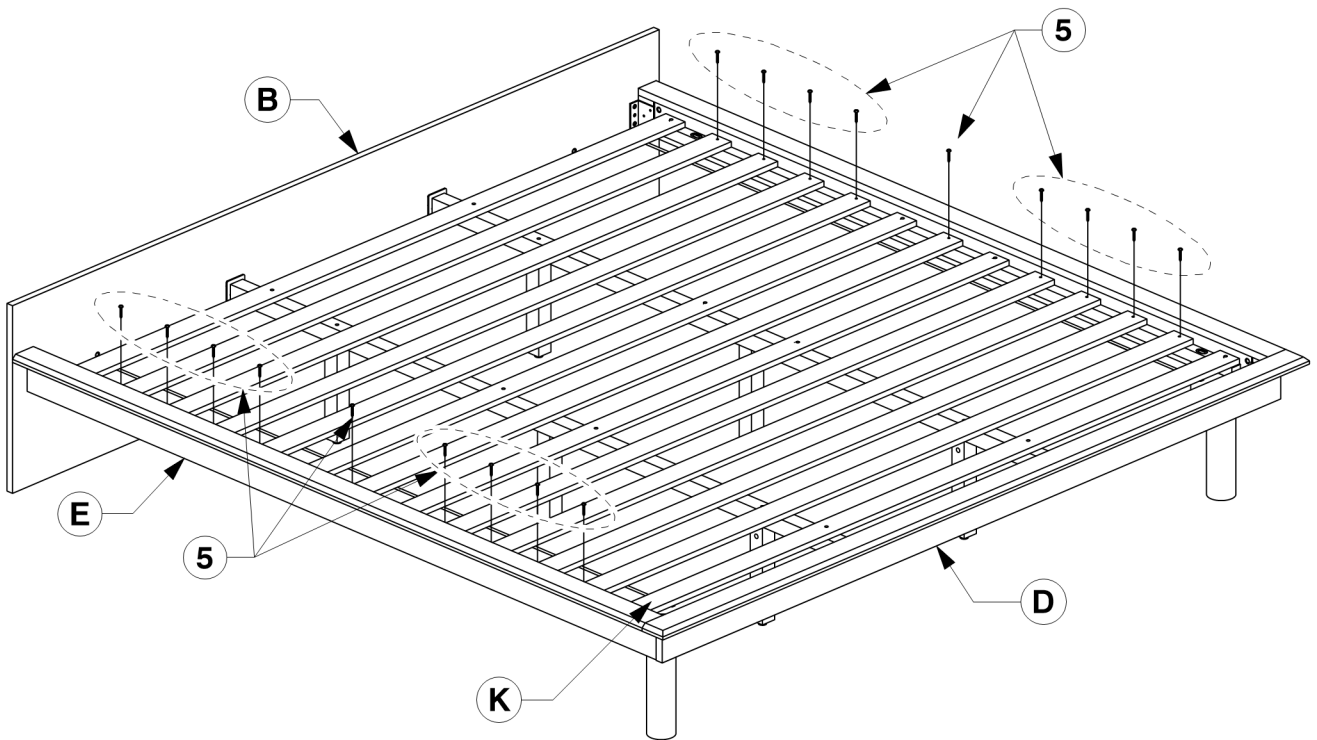


0086 King Bed

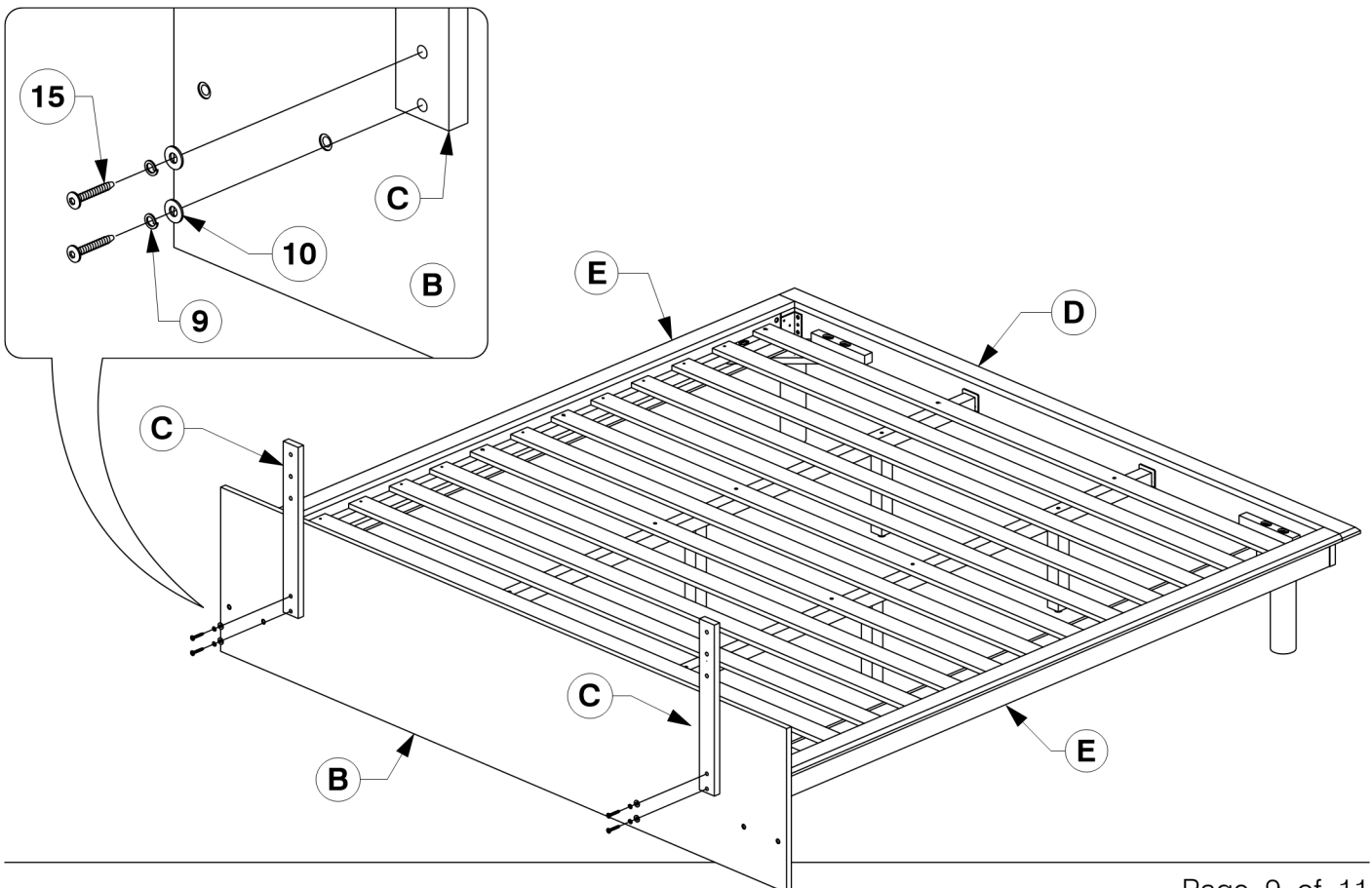
Assembly Instructions

WI-0622

18 Screw the Bed Slats (K) to the Side Rail (E).



19 Assemble the Support Bars (C) to the back of the Headboard Panel- Lower (B).

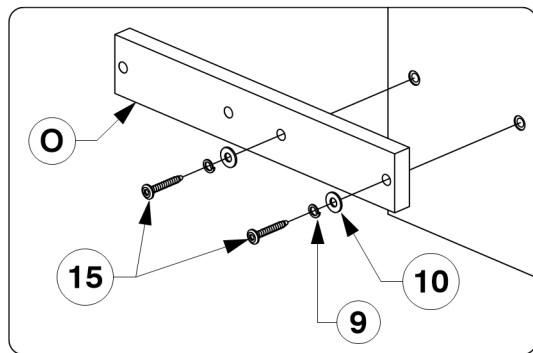
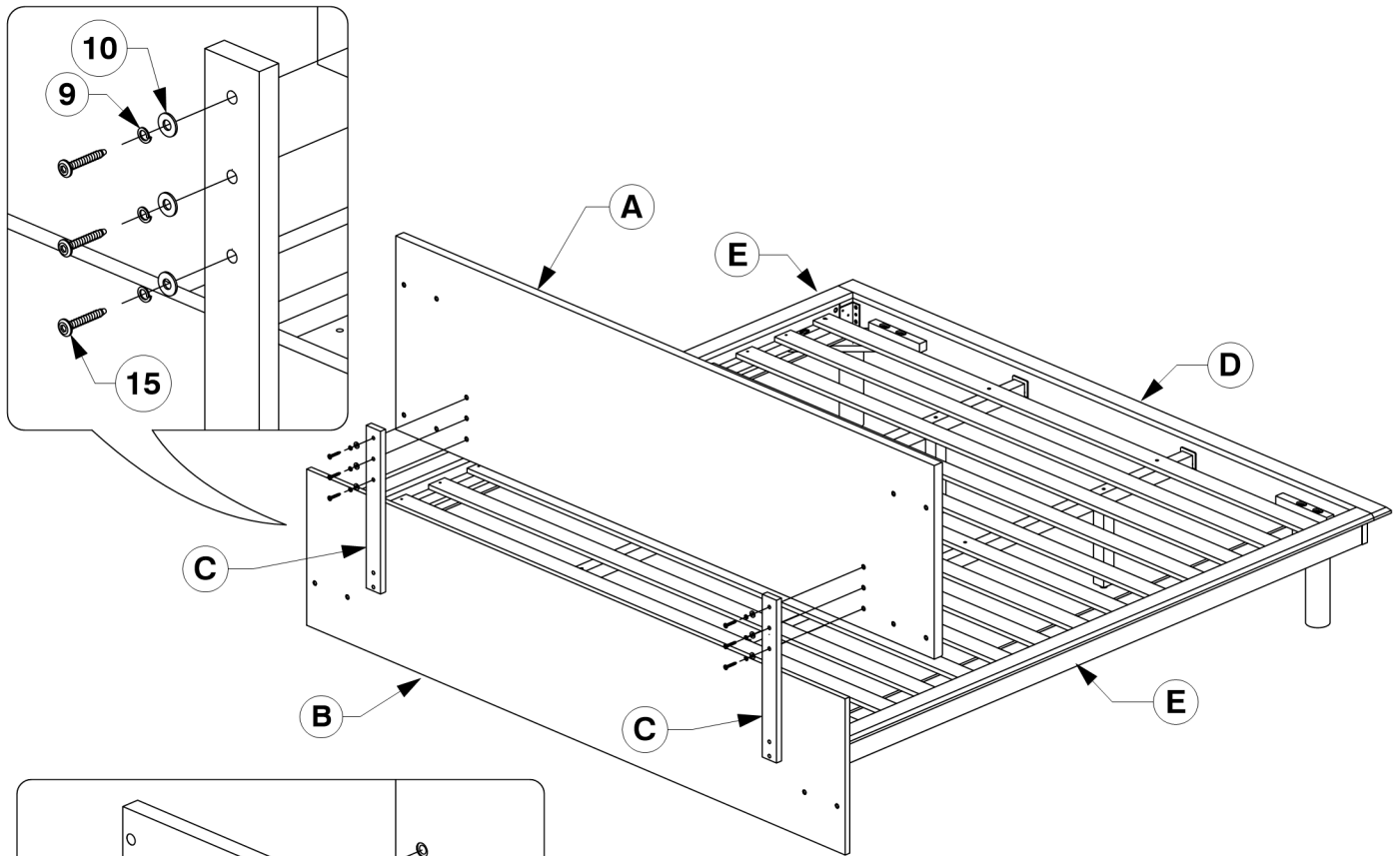


0086 King Bed

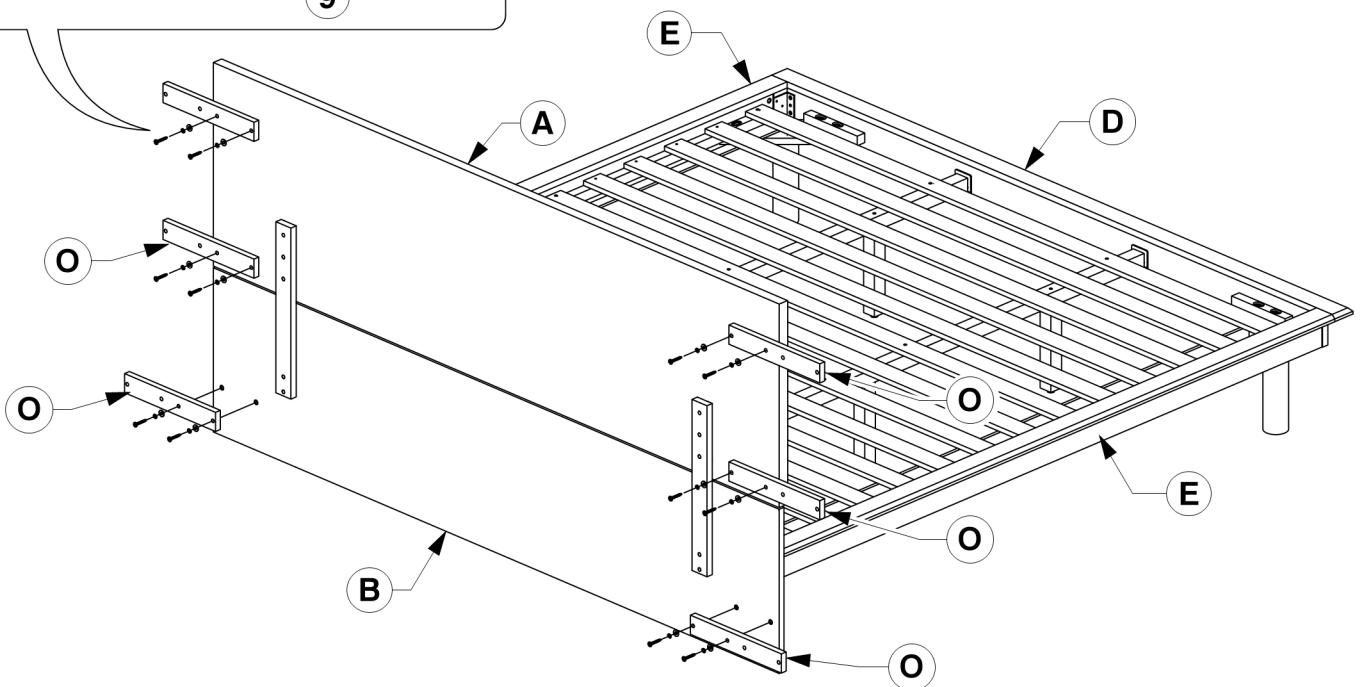
Assembly Instructions

WI-0622

20 Assemble the Headboard Panel- Upper (A) to the Support Bars (C).



21 Fit the Headboard Support Rail (O) with JCBs & Washes on both sides.

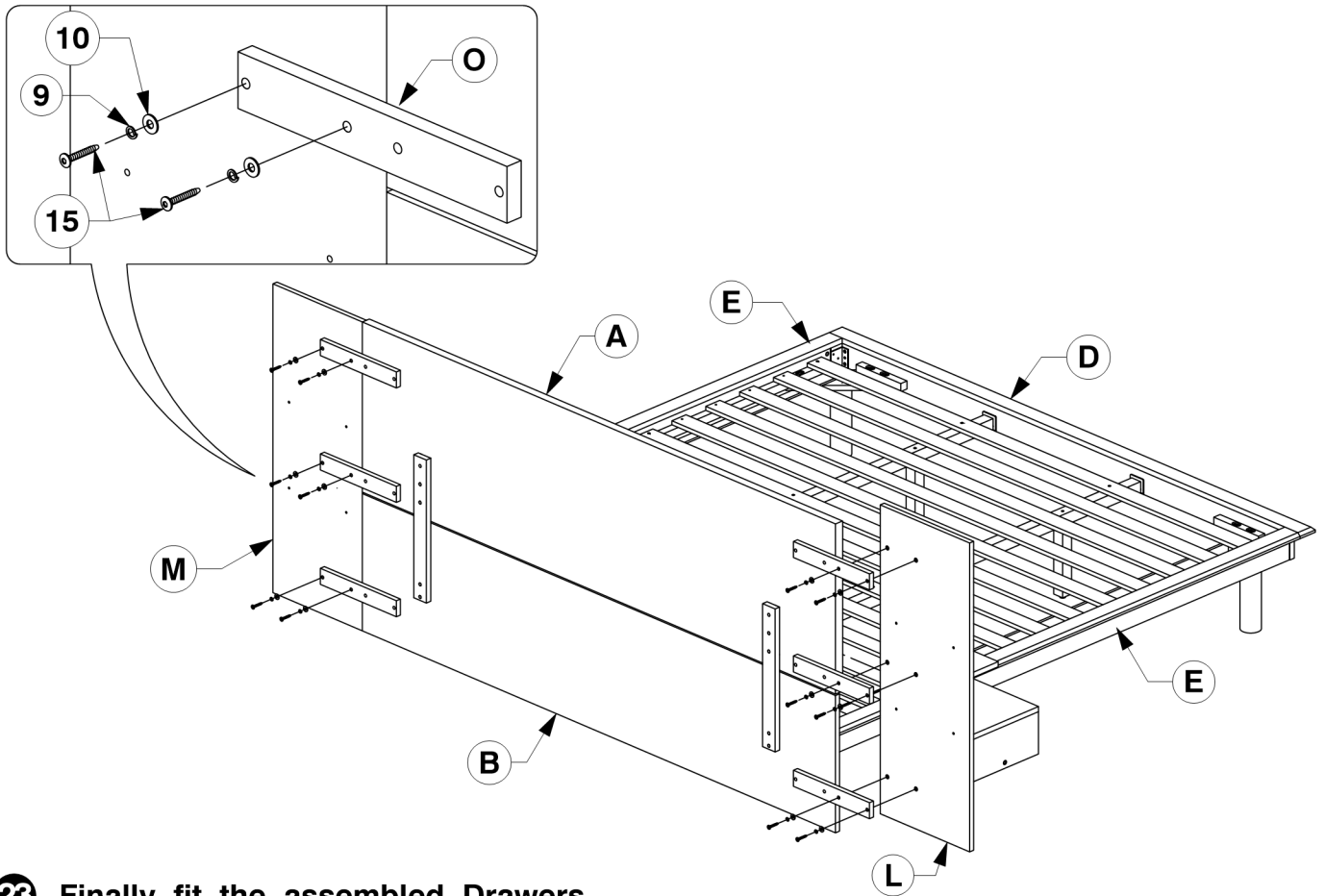


0086 King Bed

Assembly Instructions

WI-0622

- 22** Assembled the Left & Right Side Panel (L & M) to the Headboard Support Rail (O) with JCBs & Washers on both sides.



- 23** Finally fit the assembled Drawers.

