

PRODUCT CODE : CS004P BAR CHAIR





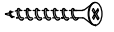
ASSEMBLY INSTRUCTIONS

Read this instruction carefully. See hardware and furniture part list for guidance. Be sure all part is complete, before you assemble. Place all wooden furniture part on a clean and flat soft surface to prevent from being scratched. Follow the figure to start assembling.

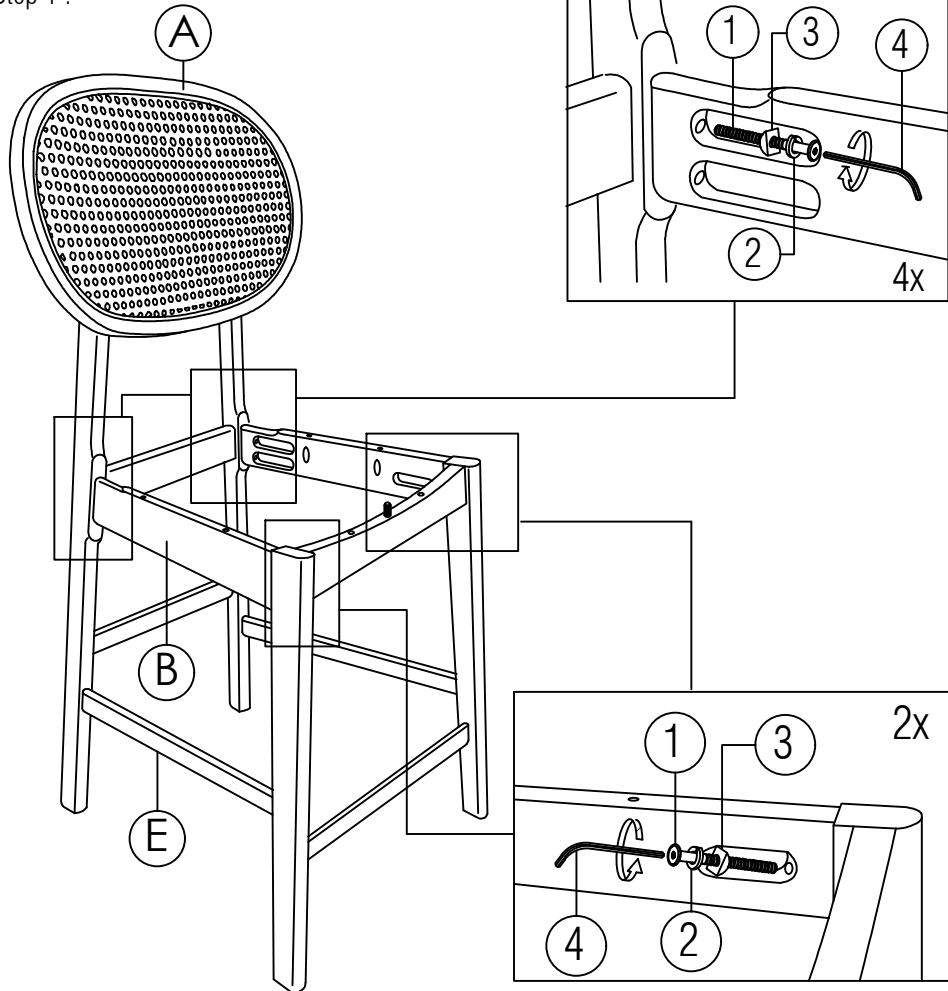
CAUTIONS :

1. Do not FULLY-TIGHTEN the nut or nut bolt until all nut or bolt is ready assembled.
2. Do not OVER-TIGHTEN the nut or nut bolt to avoid causing damages to the thread.
3. Keep all hardware part out of reach of children.

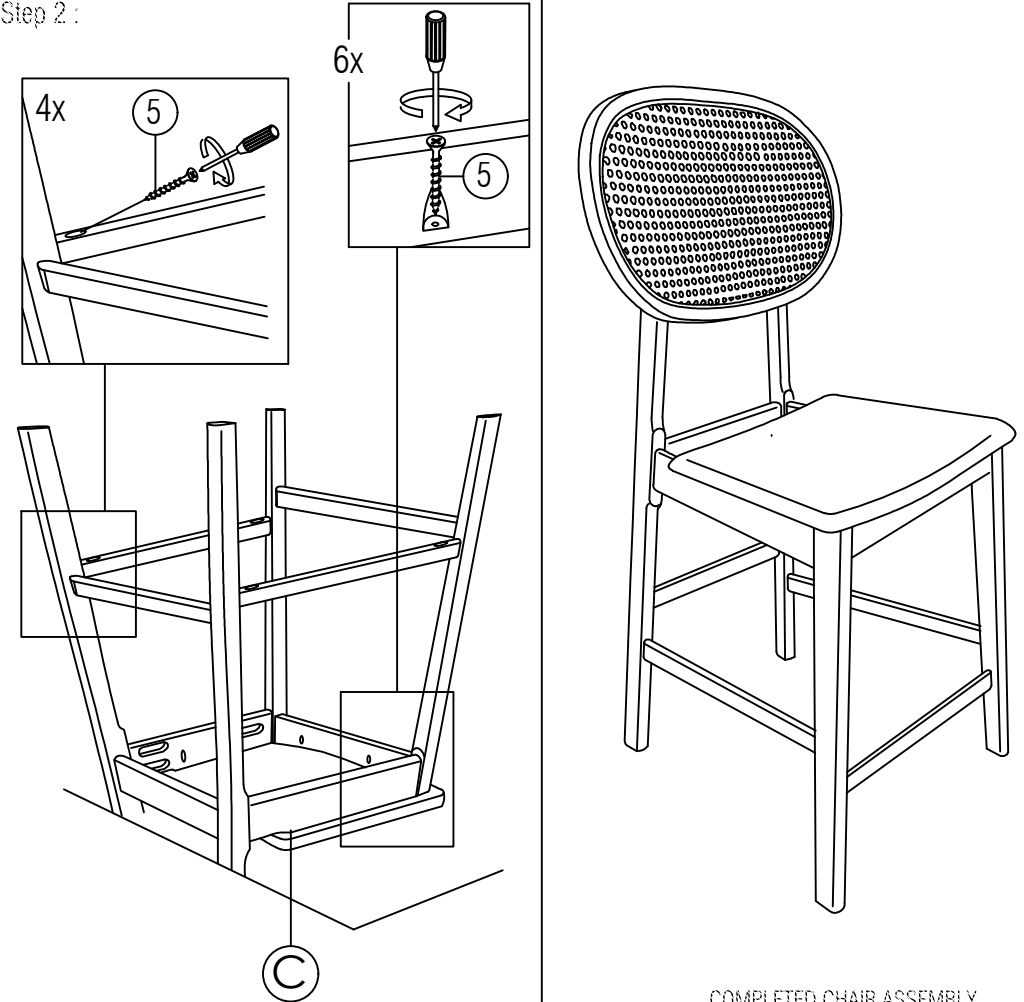
PART LIST		
ITEM	DESCRIPTION	QTY
A	BACK REST	1 PC
B	SIDE RAIL - L & R	2 PCS
C	CUSHION SEAT	1 PC
D	FRONT LEG	1 PC
E	SIDE STRETCHER - L & R	2 PCS

HARWARE LIST		
ITEM	DESCRIPTION	QTY
1	JCBC SCREW M6 x 50MM 	6 PCS
2	SPRING WASHER 1/4" 	6 PCS
3	NYLON WASHER - 15 x 17.5 x 6MM 	6 PCS
4	ALLEN KEY (M4) LONG 	1 PC
5	CSK SCREW M4 x 32MM 	10 PCS

Step 1 :



Step 2 :



COMPLETED CHAIR ASSEMBLY

ASSEMBLY INSTRUCTION

MODEL: LEENA SQUARE BAR TABLE

Read this instruction carefully. Remove all wrapping material, staples and straps from the carton. See hardware and furniture part list for guidance. Be sure you have all wooden furniture parts on a clean and flat soft surface, such as a carpet or rug, to prevent from being scratched.






CAUTION :

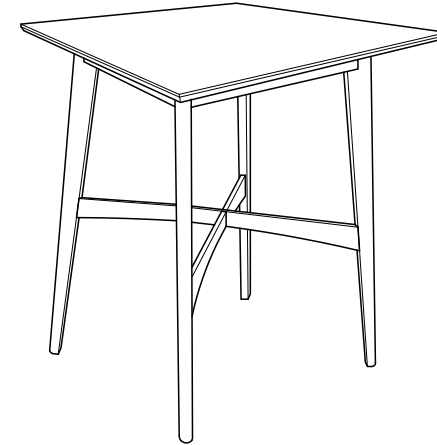
1. Do Not FULLY - TIGHTEN the nut or screw until all is ready to assemble.
2. Do Not OVER - TIGHTEN the nut or screw to avoid causing damages to the tread.
3. Keep all hardware part out reach of children.

Part List

No.	Description	Qty.
A	Table Top	1pc
B	Table Leg	4 pcs
C	Stertcher	2 pcs

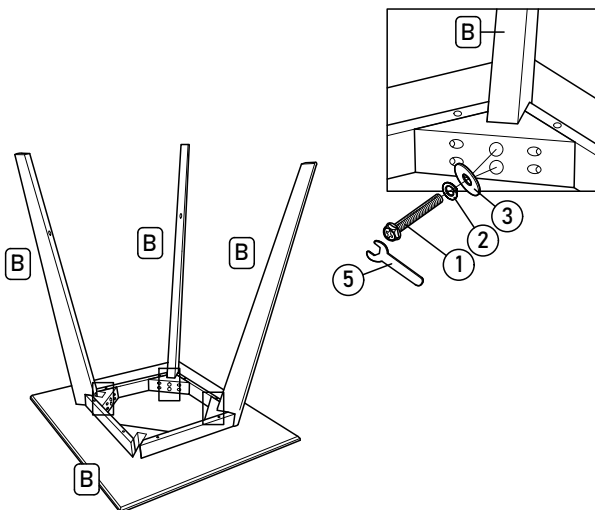
Hardware List

No.	Description	Qty.
1	Hex Comb $\frac{5}{16}$ " x $2\frac{1}{2}$ " 	8 pcs
2	Spring Washer $\frac{5}{16}$ " 	8 pcs
3	Flat Washer $\frac{5}{16}$ " x 22mm 	8 pcs
4	CSK Screw M4 x 32mm 	5 pcs
5	Spanner 12.8 	1 pc



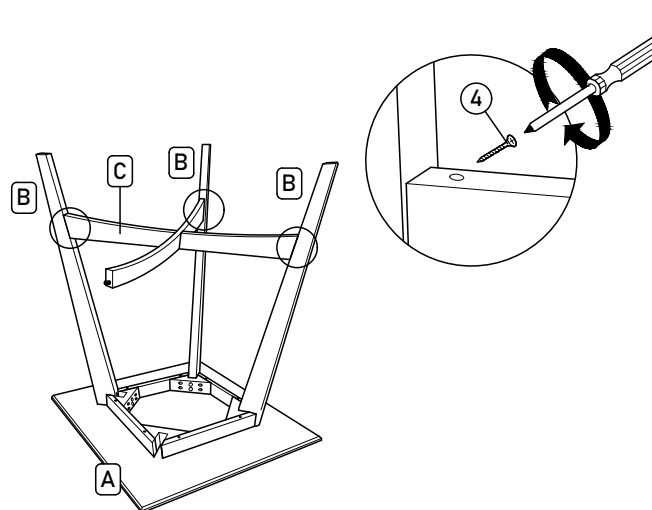
Step 1

Install 3 parts of Part (B) as shown below.
Please do not fully tighten the bolts.



Step 2

Install Part (C) as shown below.
Please do not fully tighten the screws.



Step 3

Install last part of Part (B) as shown below.
Make sure to tighten the bolts and screws in this step.

