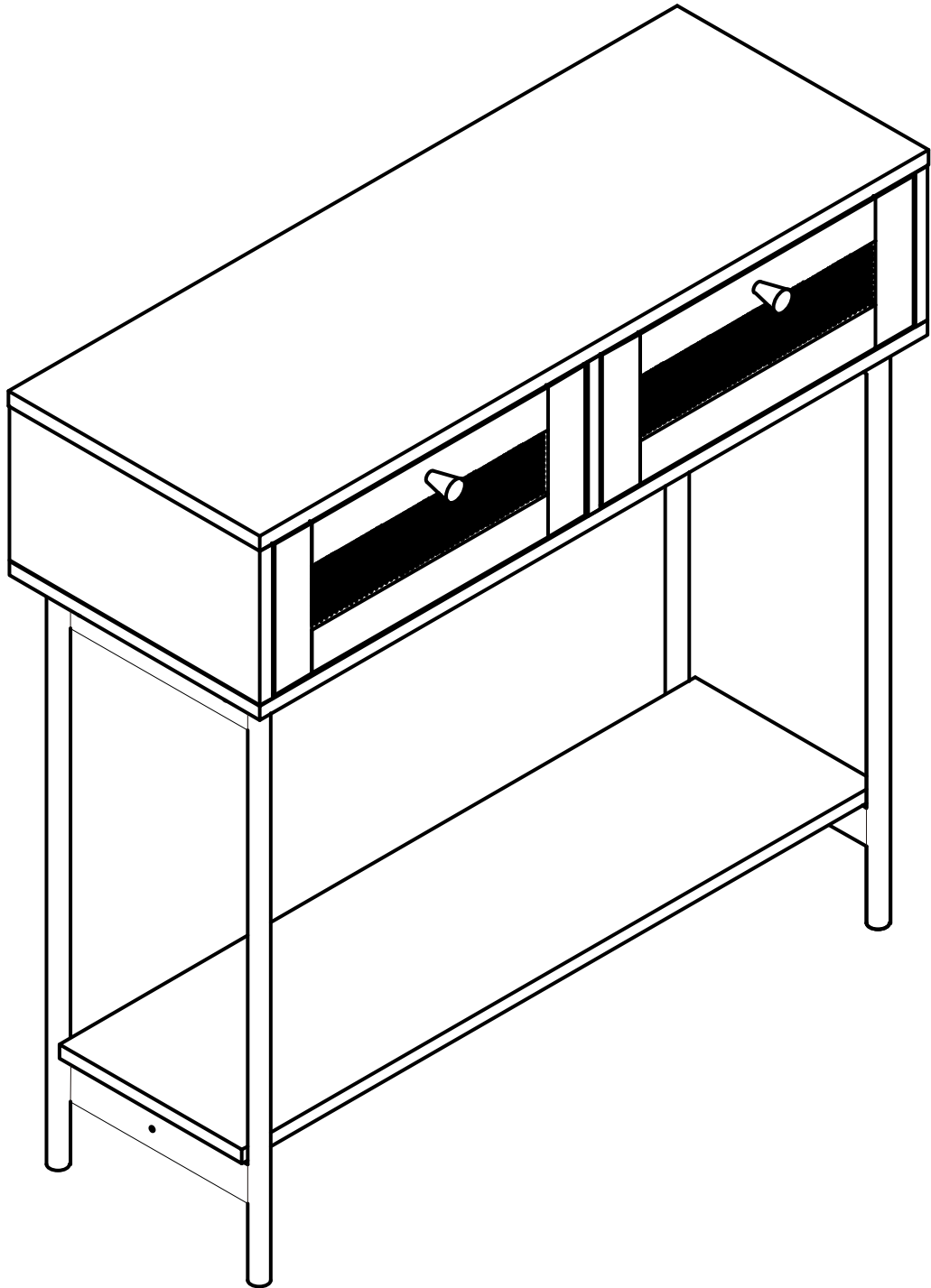
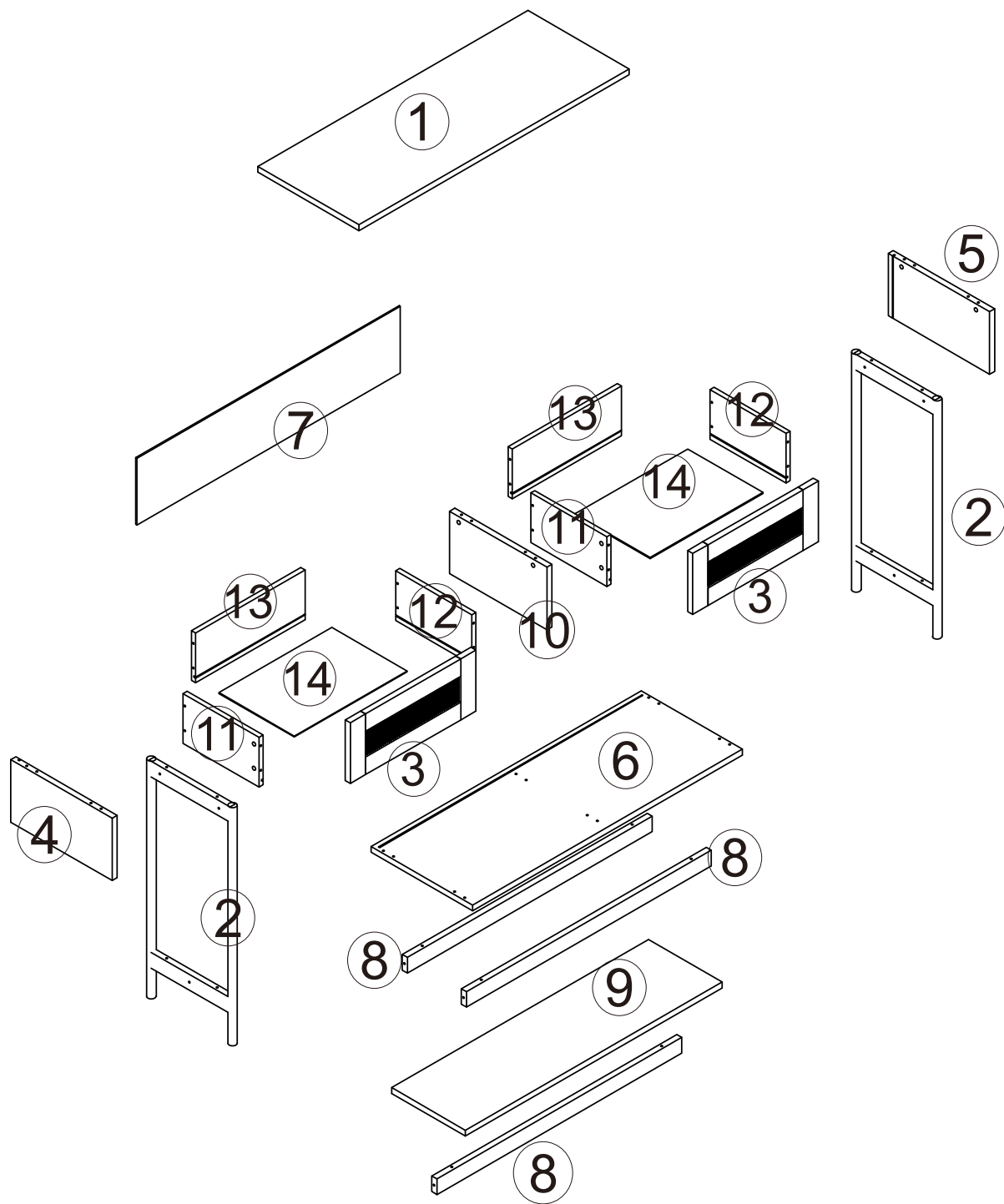

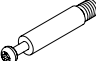


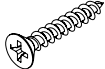
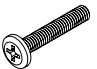



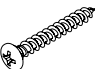
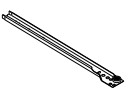

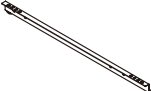
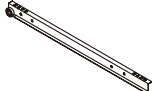


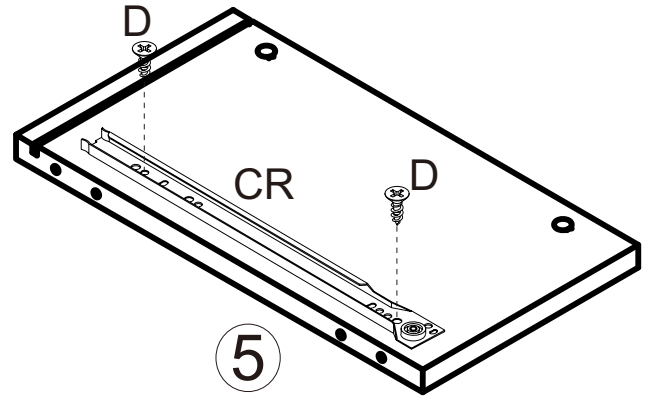
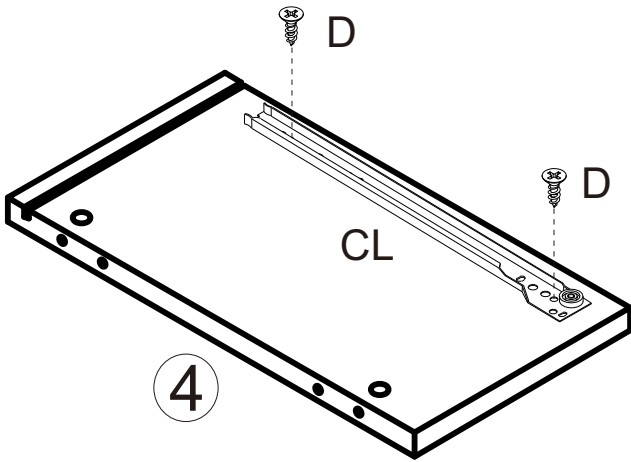
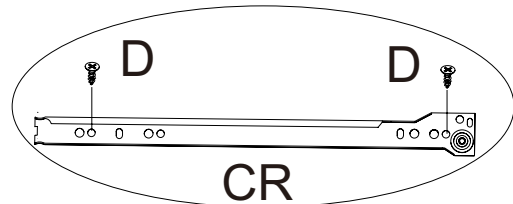
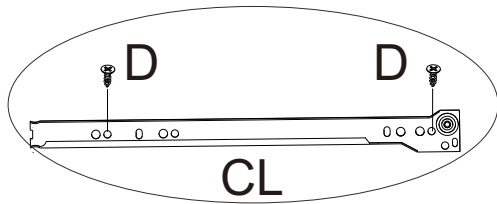
WI13221





				
Ax14	Bx14	Cx12	Dx16	Ex6
				
Fx6	Gx8	Hx2	Ix2	Jx14
				
CLx2	CRx2	DLx2	DRx2	

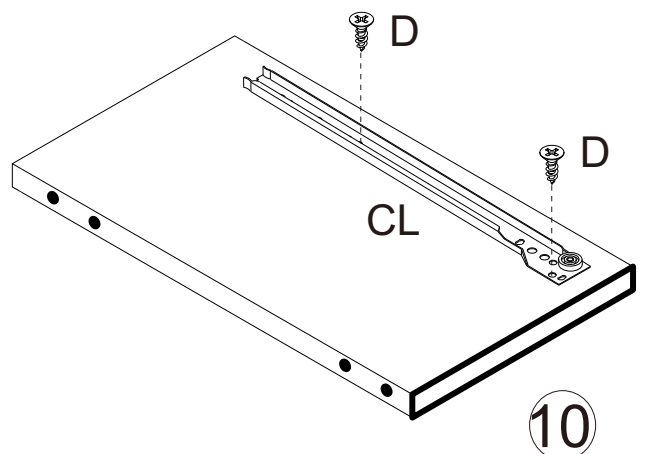
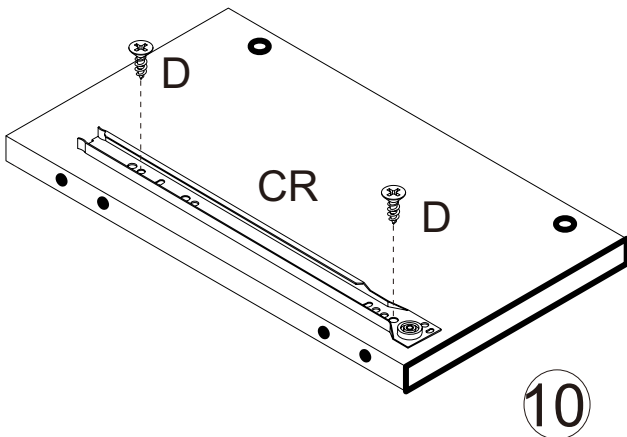
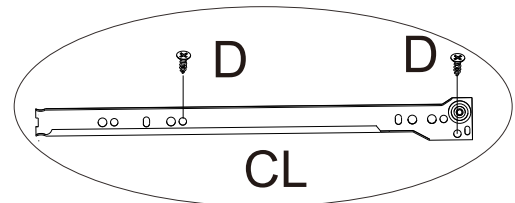
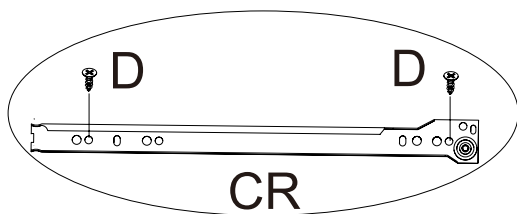
1



	Dx4
	CLx1
	CRx1

Fix drawer track CL to board 4 and fix drawer track CR to board 5 with screw D

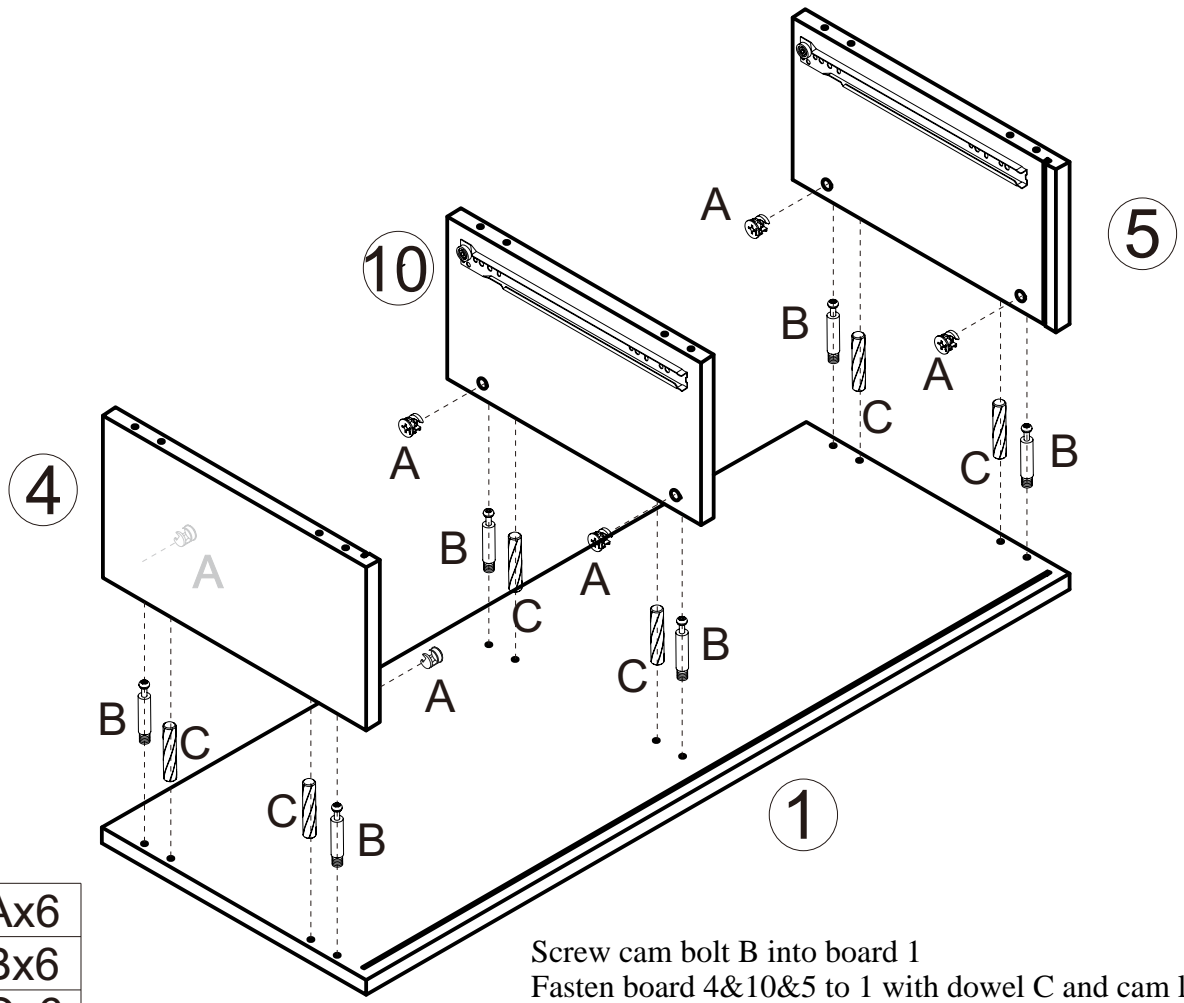
2






	Dx4
	CLx1
	CRx1

Fix drawer track CR and CL to board 10 with screw D

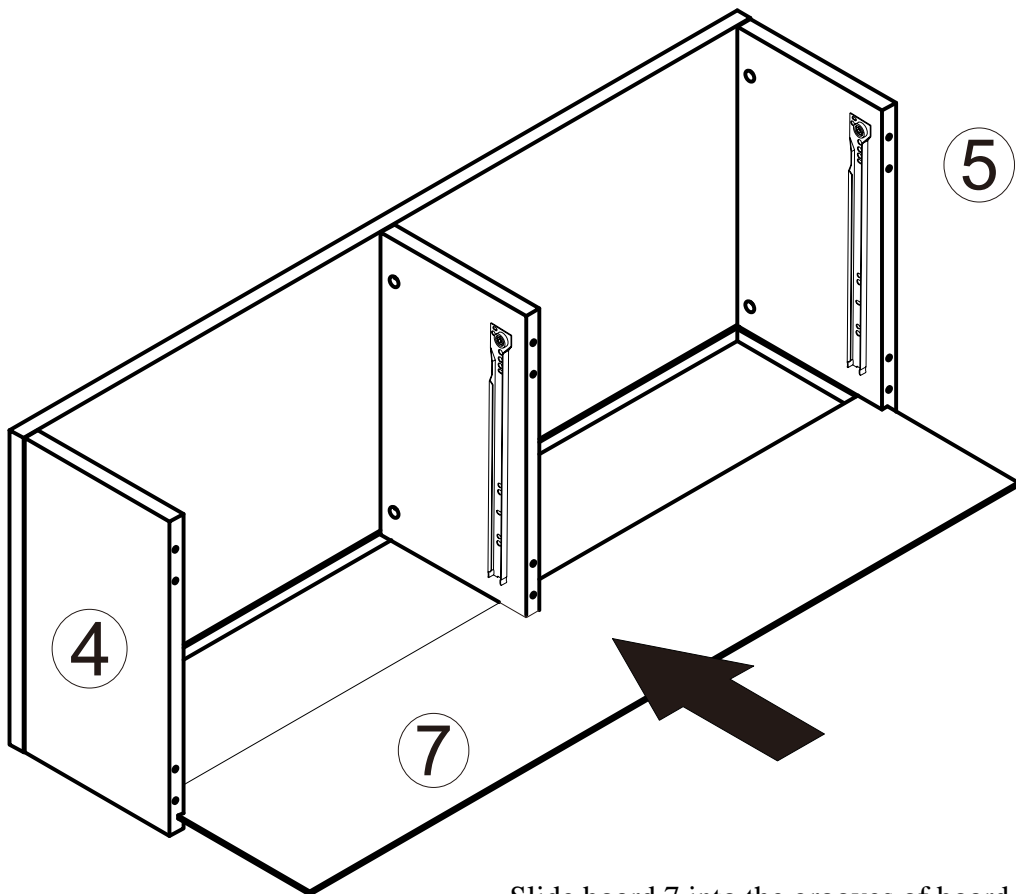
3



	Ax6
	Bx6
	Cx6

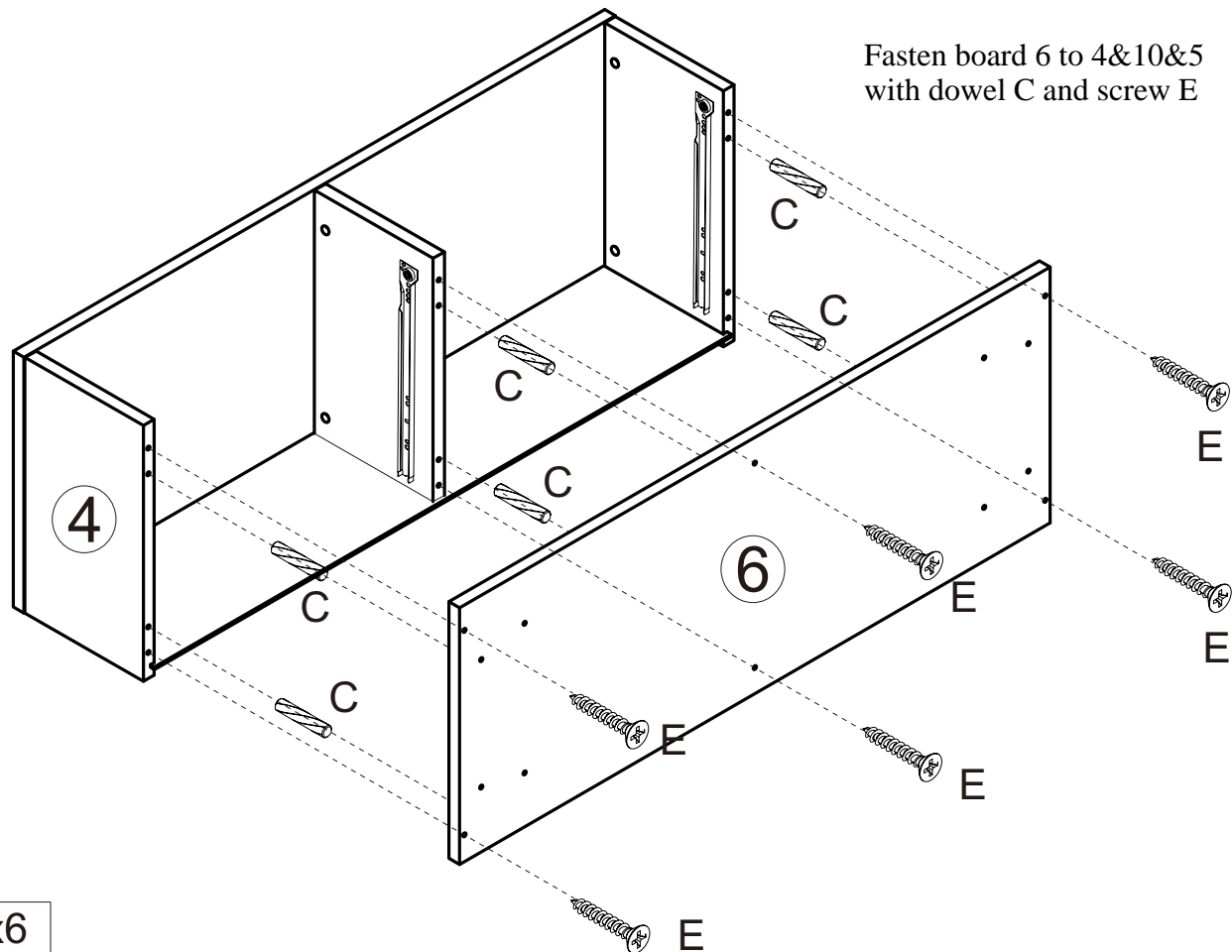
Screw cam bolt B into board 1
Fasten board 4&10&5 to 1 with dowel C and cam lock A

4



Slide board 7 into the grooves of board 4&5&1

5

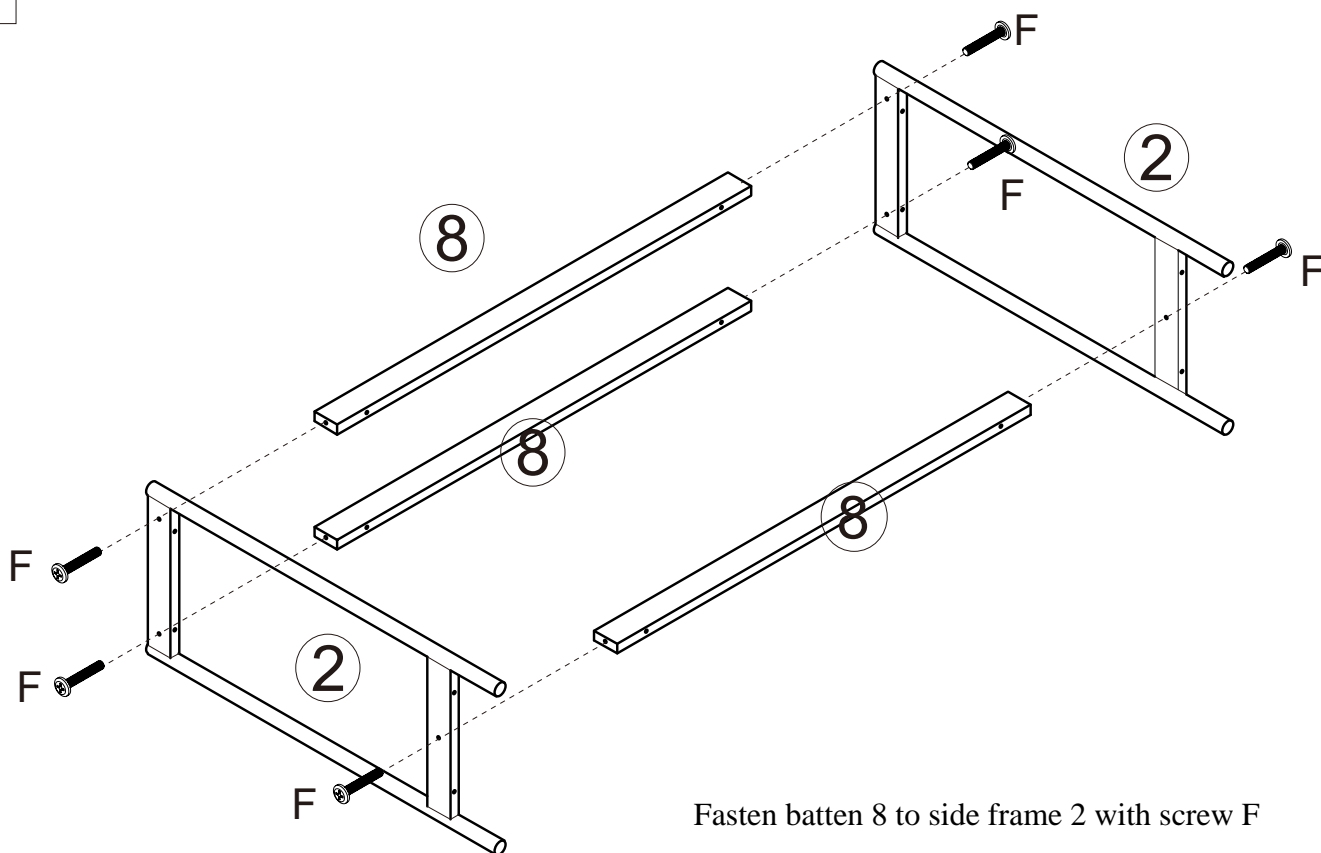


Cx6



Ex6

6

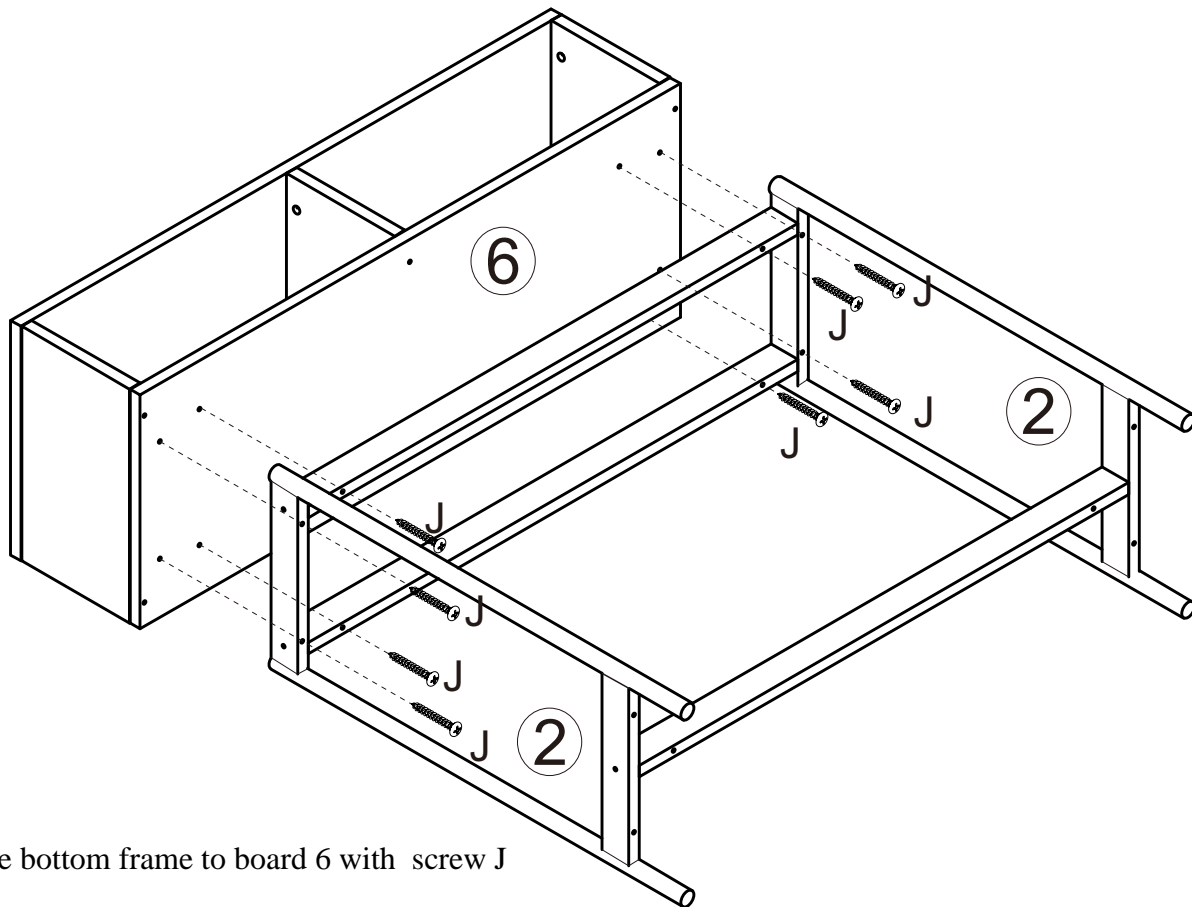


Fasten batten 8 to side frame 2 with screw F



Fx6

7



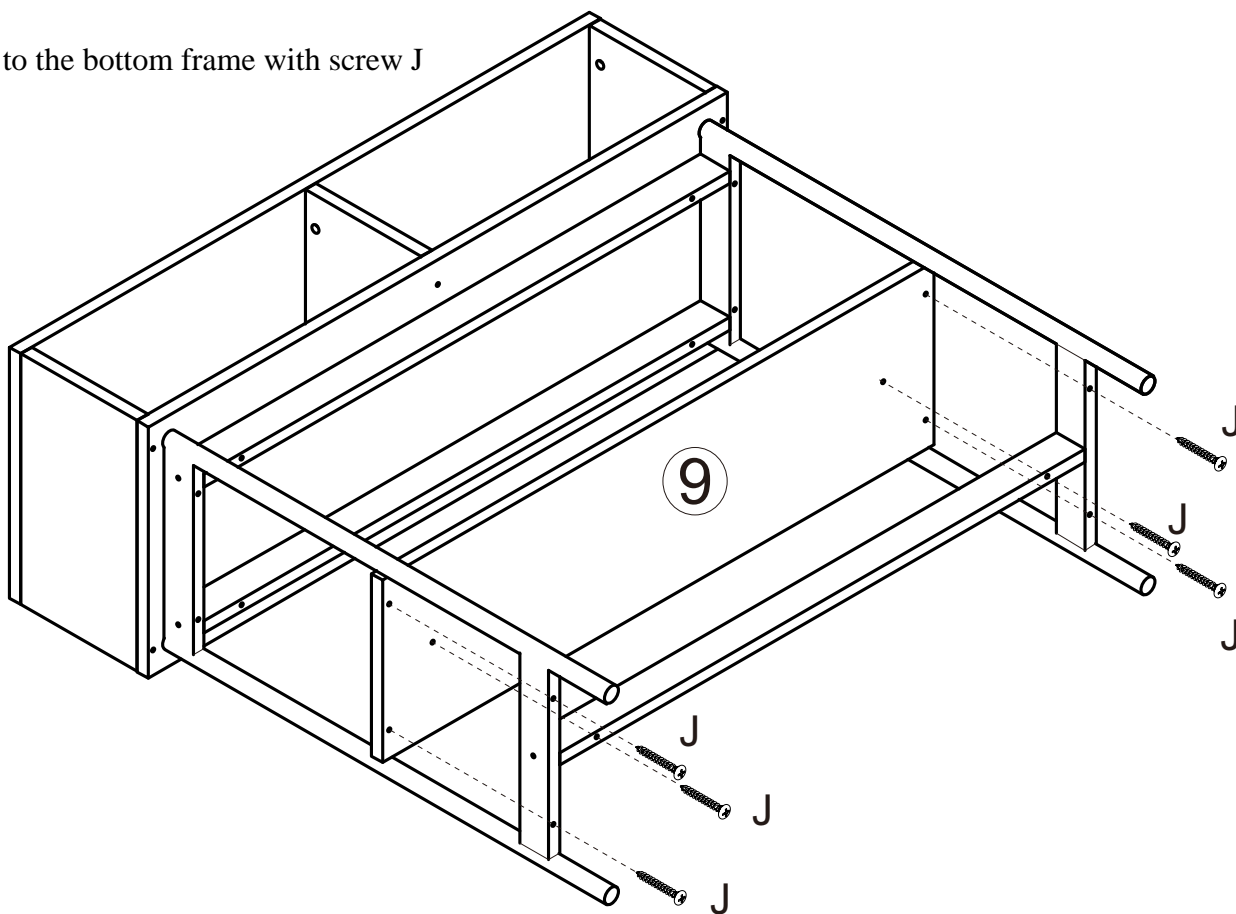
Fasten the bottom frame to board 6 with screw J



Jx8

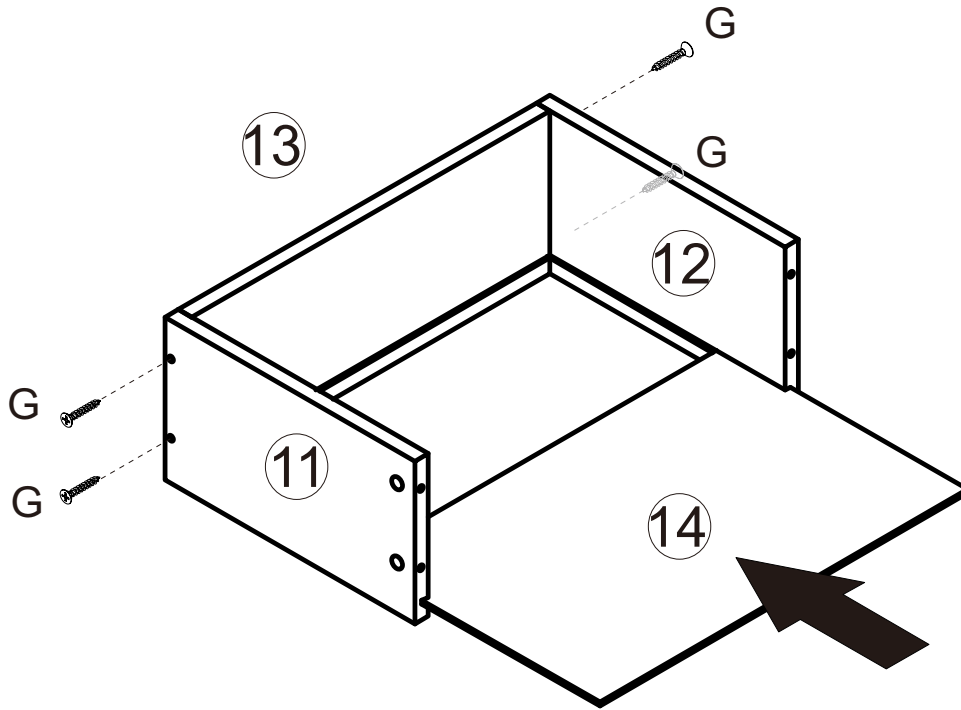
8

Fix board 9 to the bottom frame with screw J



Jx6

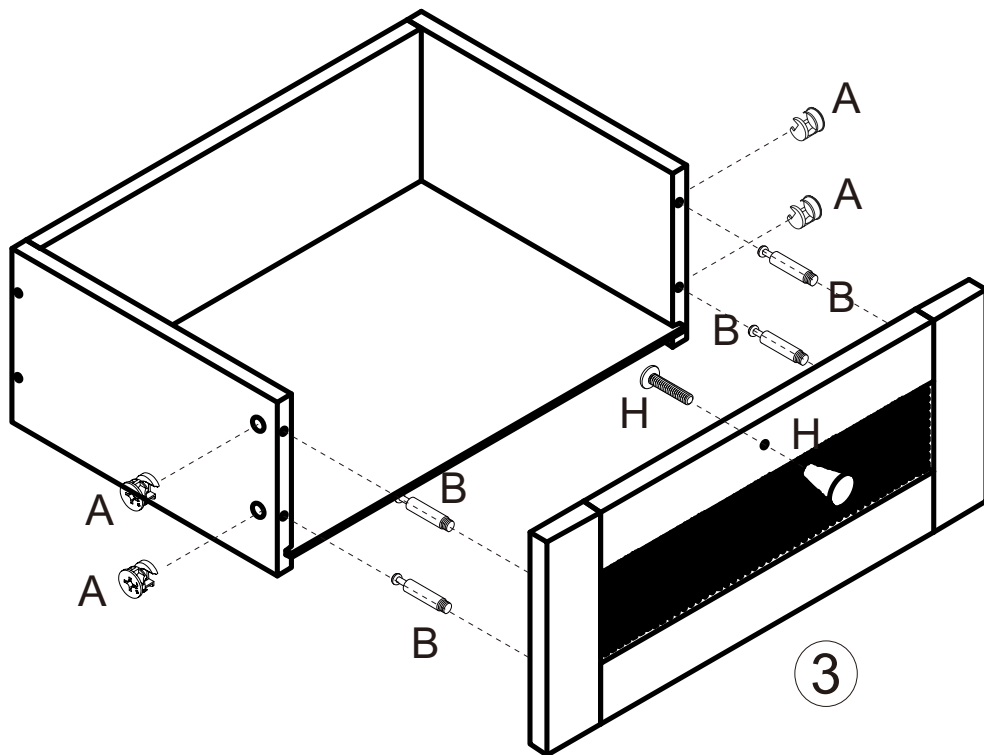
9 x2



Fix board 13 to 11&12 with screw G.
Slide board 14 into the grooves of 11&12&13

 Gx8

10 x2



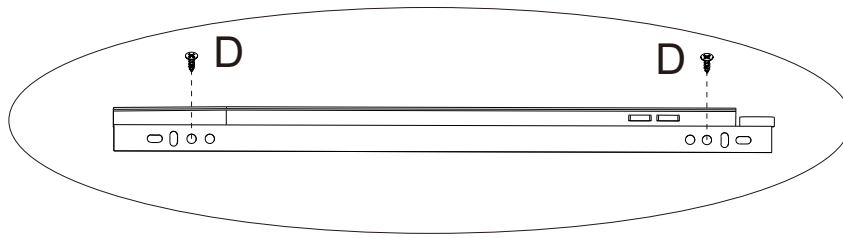
Fix cam bolt B and handle H to board 3
Fasten board 3 to 11&12 with cam lock A

 Ax8

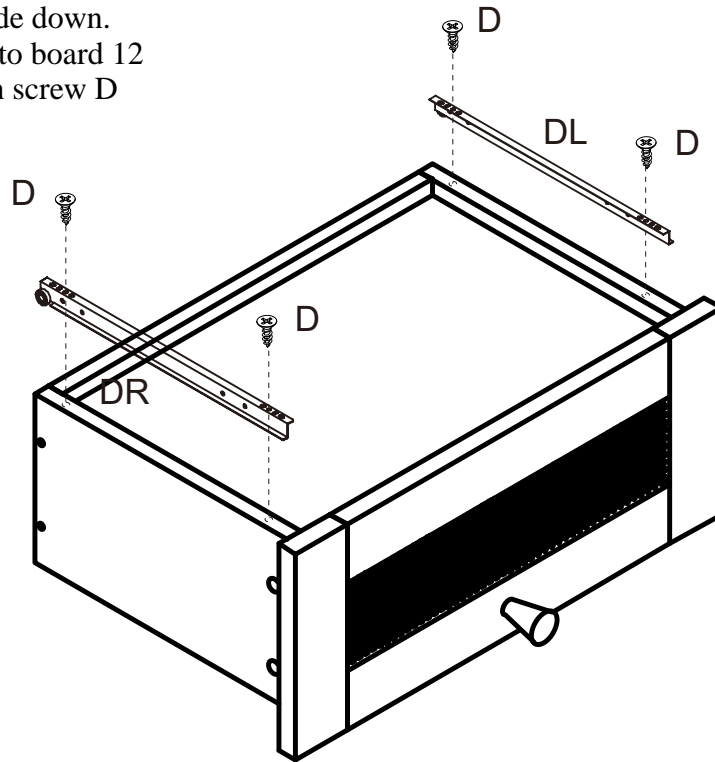
 Bx8




 Hx2

11 x2

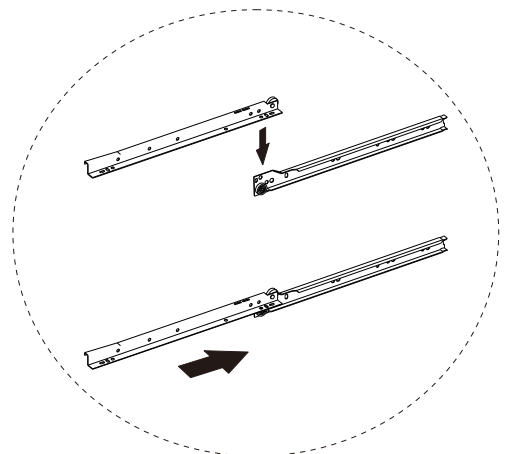
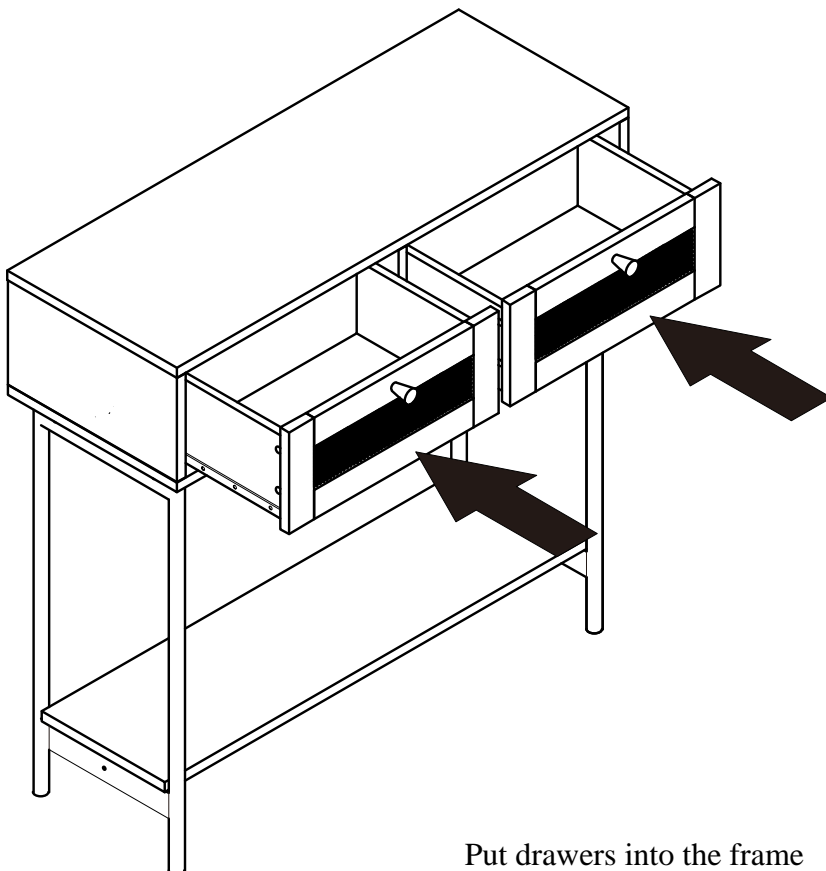


Turn the drawer upside down.
Fix drawer track DR to board 12
and fix DL to 11 with screw D



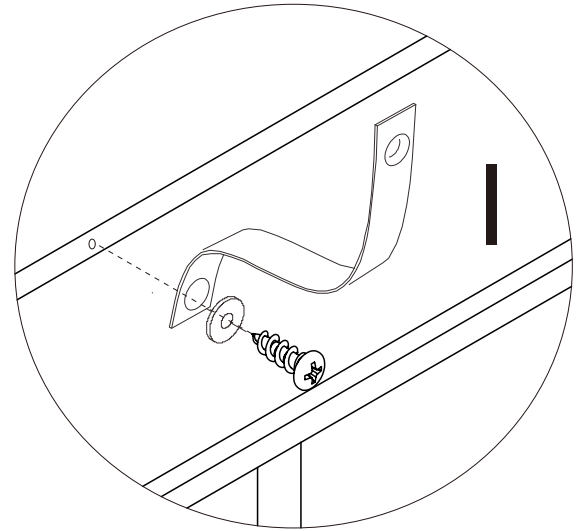
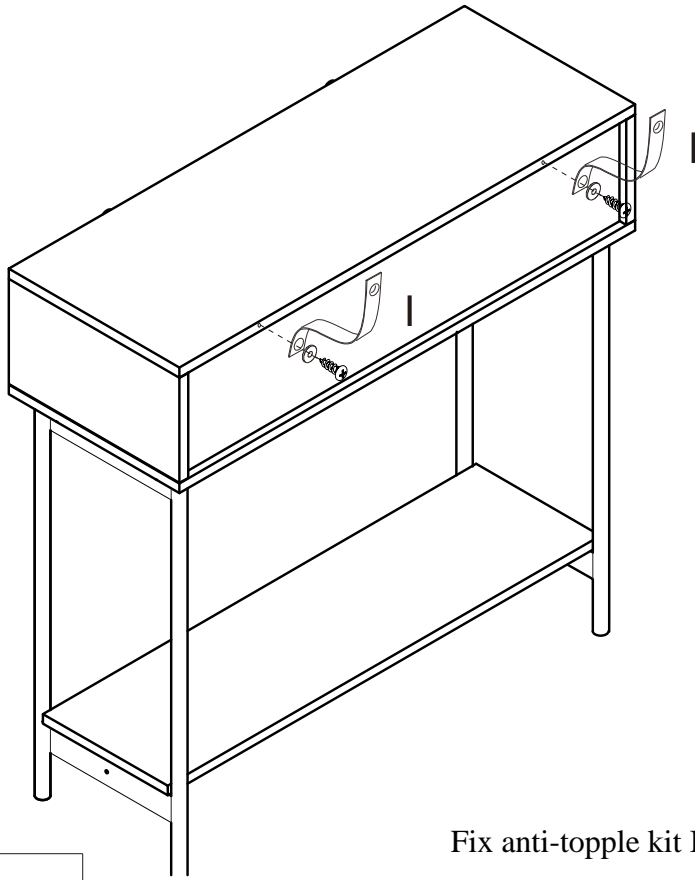
	Dx8
	DLx2
	DRx2

12



Put drawers into the frame

13

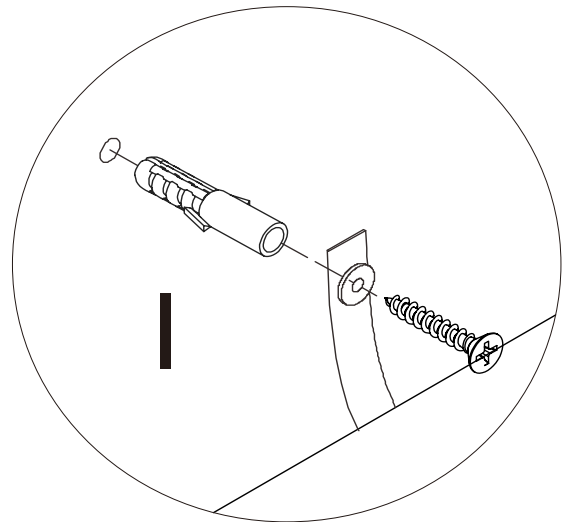
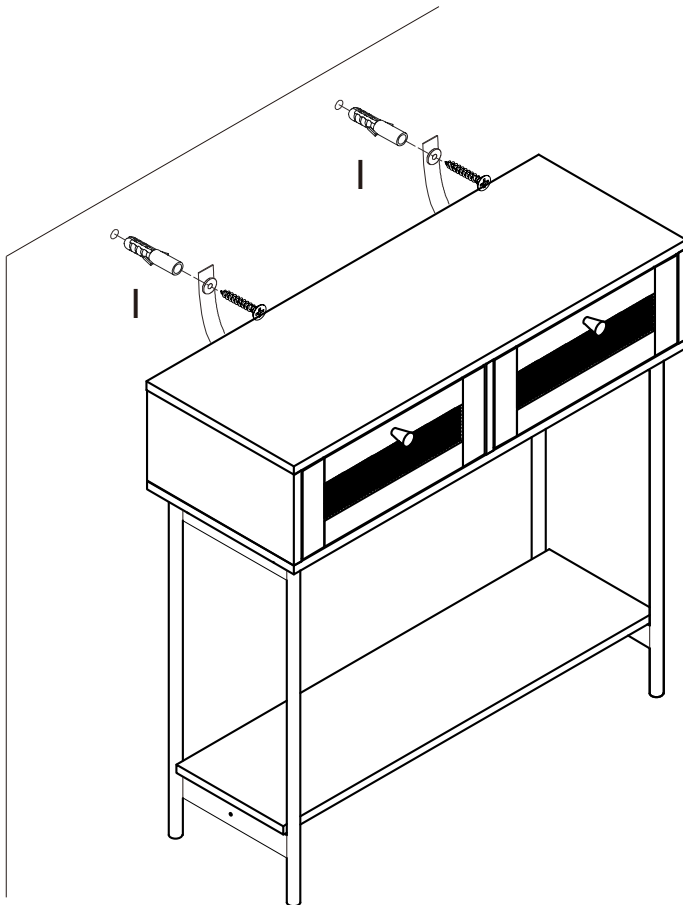


Fix anti-topple kit I to board 1

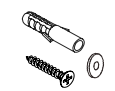


1x2

14



Lock the table to the wall



1x2