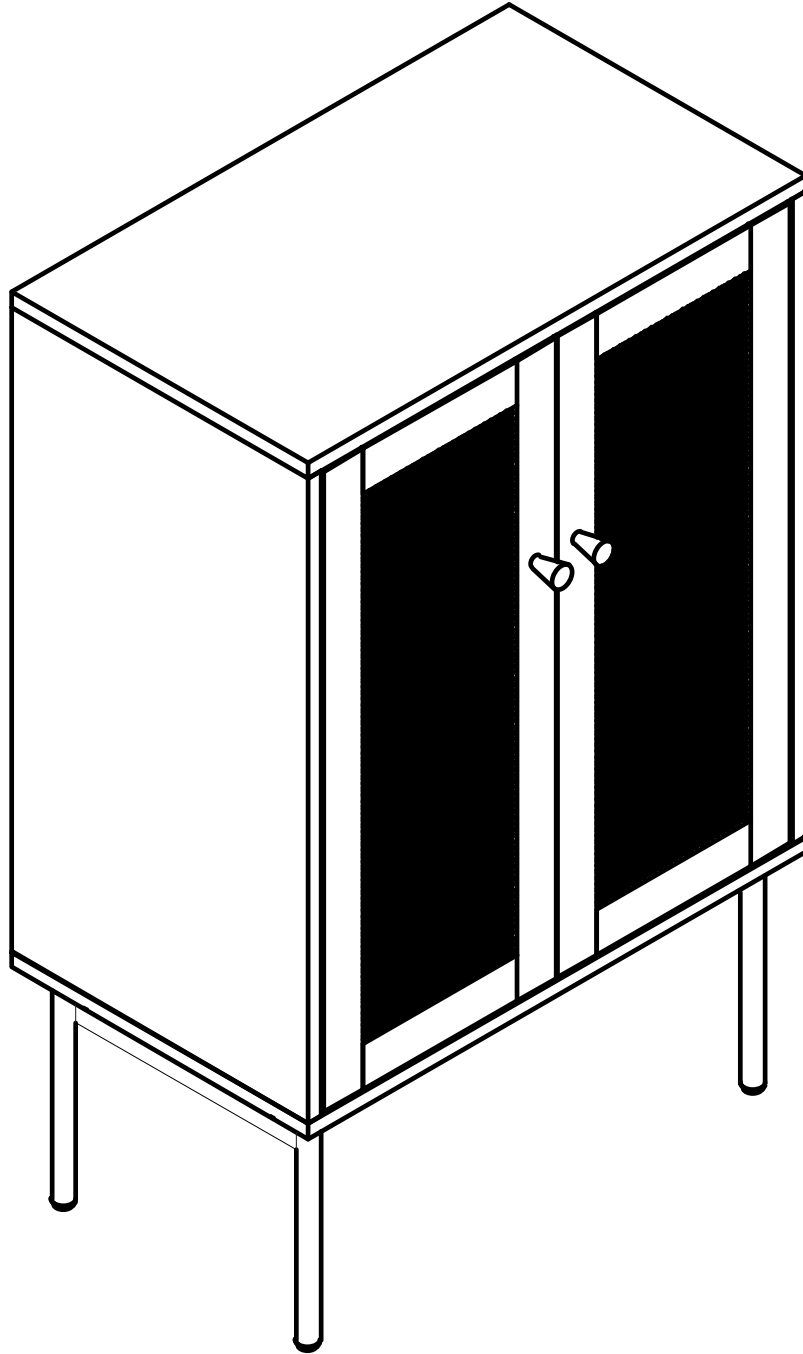
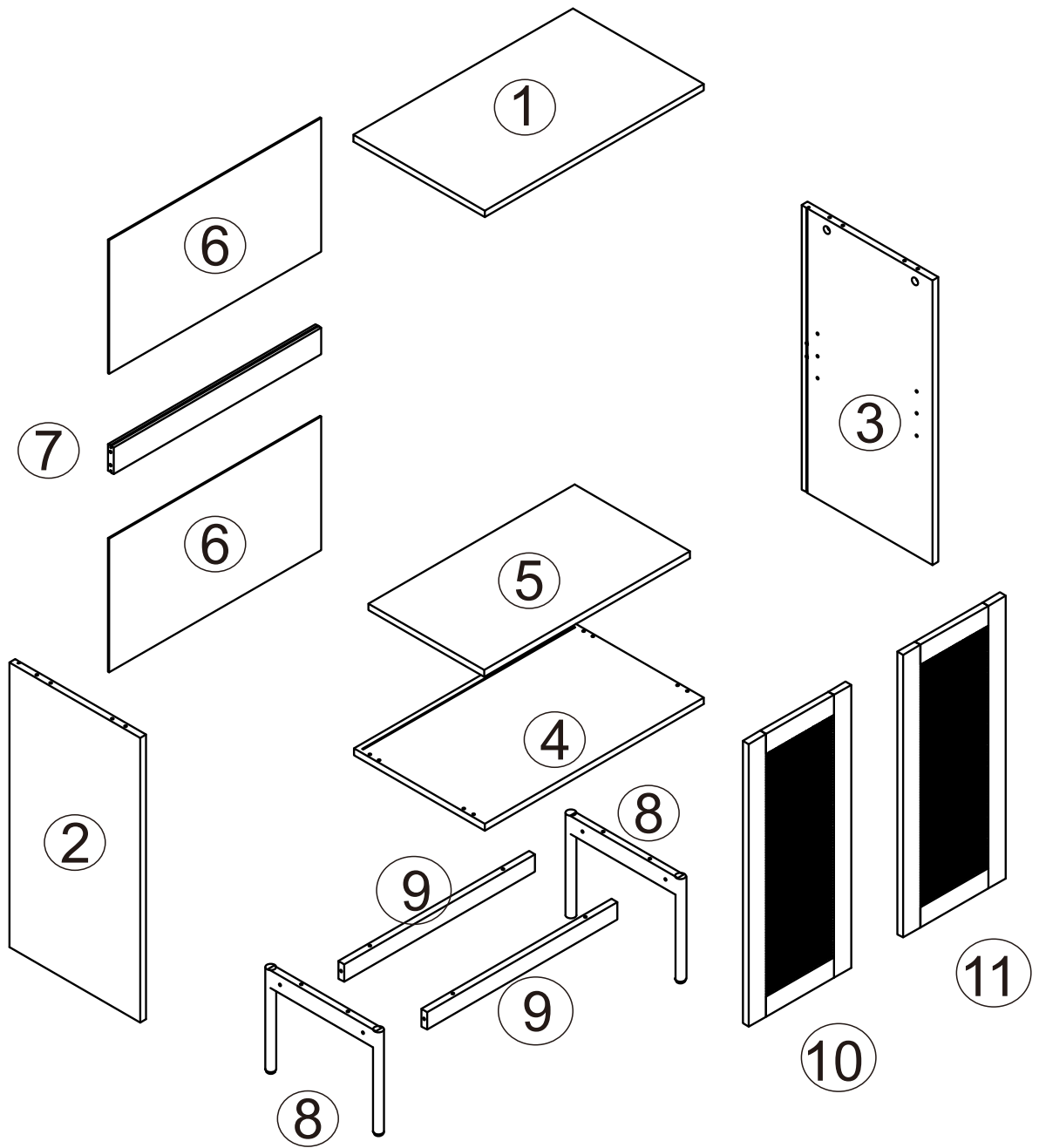

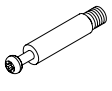
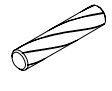

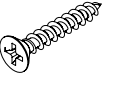
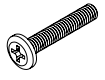
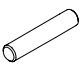
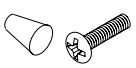
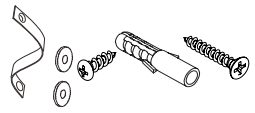
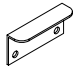


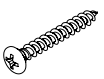


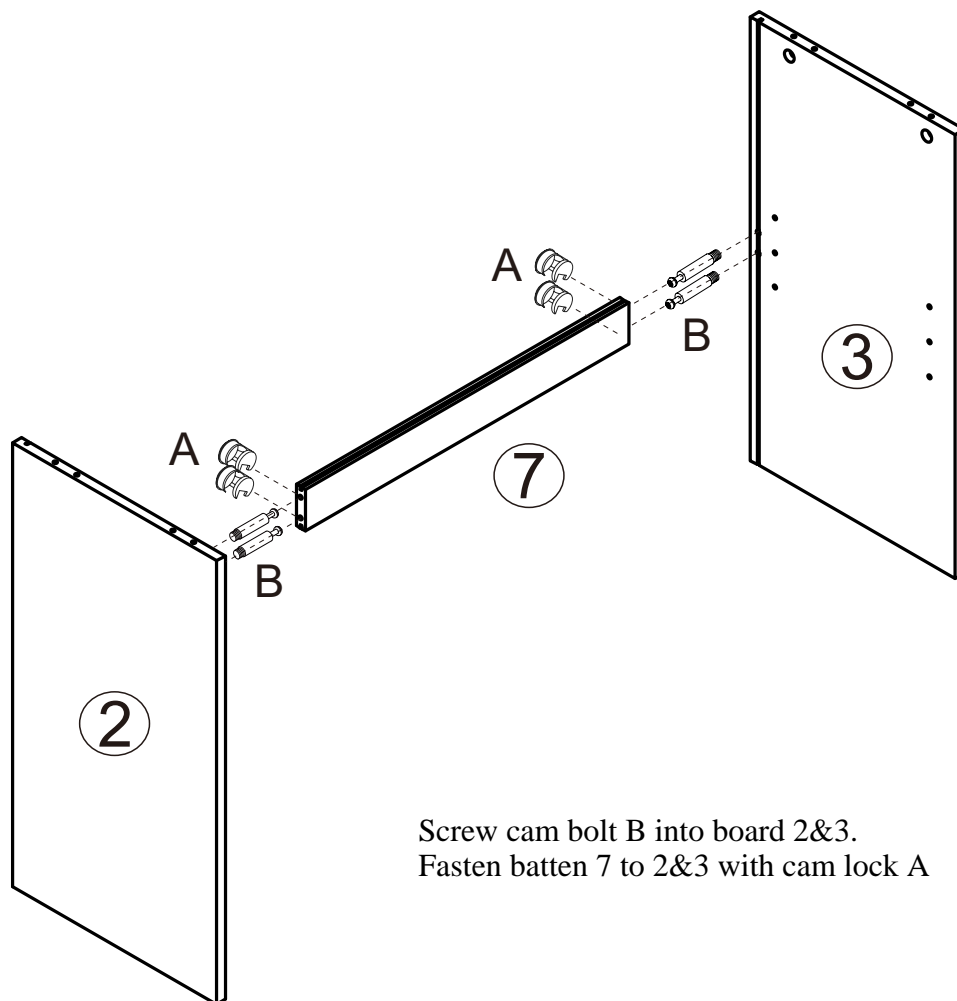
WI13223





				
Ax8	Bx8	Cx8	Dx2	Ex4
				
Fx4	Gx4	Hx2	Ix1	Jx1
				
Kx24	Lx4	Mx8		

1



Screw cam bolt B into board 2&3.
Fasten batten 7 to 2&3 with cam lock A

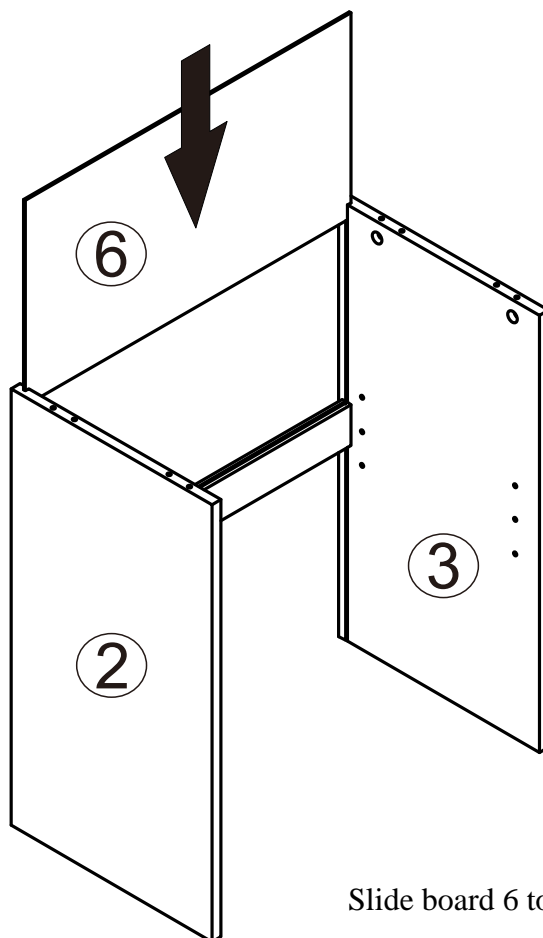


Ax4



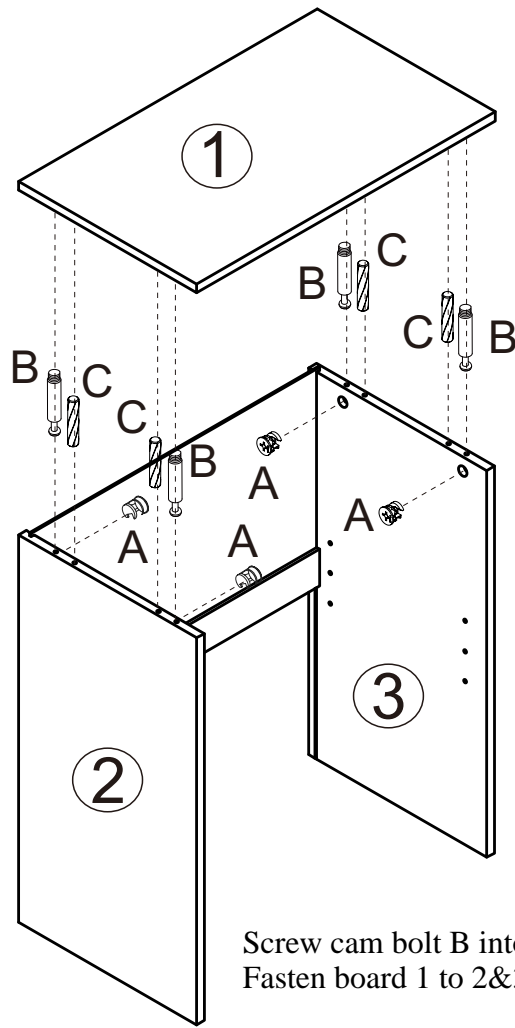
Bx4

2






Slide board 6 to the grooves of 2&3&7

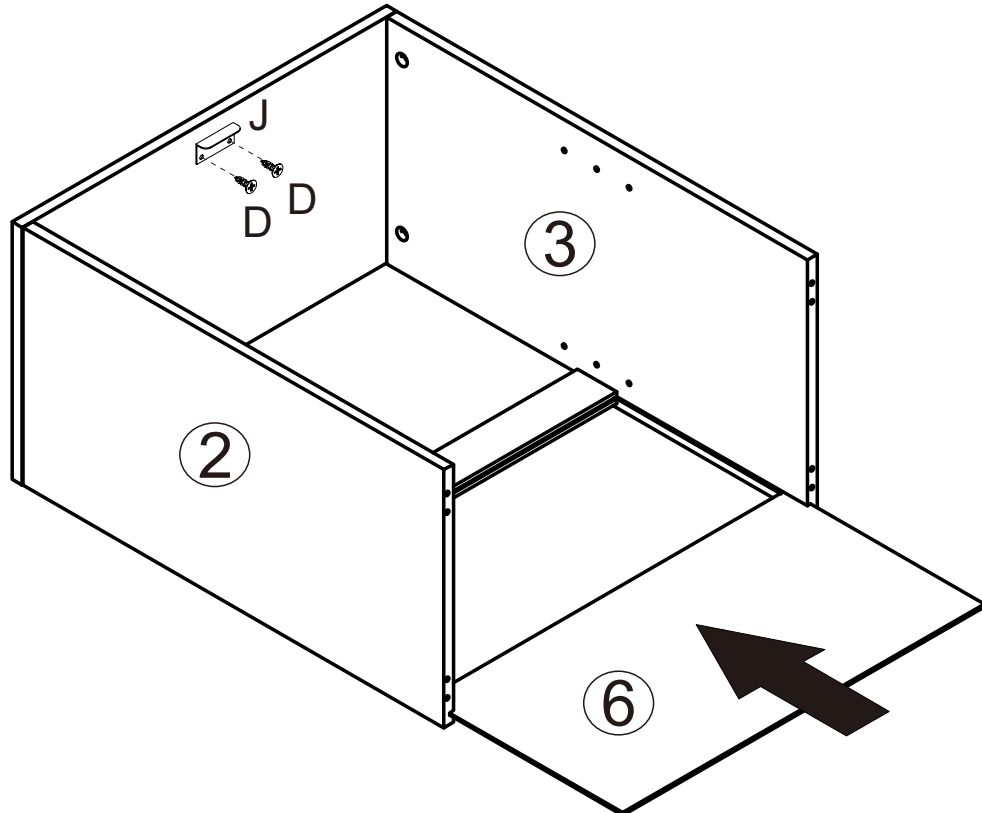
3





Screw cam bolt B into board 1
Fasten board 1 to 2&3 with dowel C and cam lock A

	Ax4
	Bx4
	Cx4

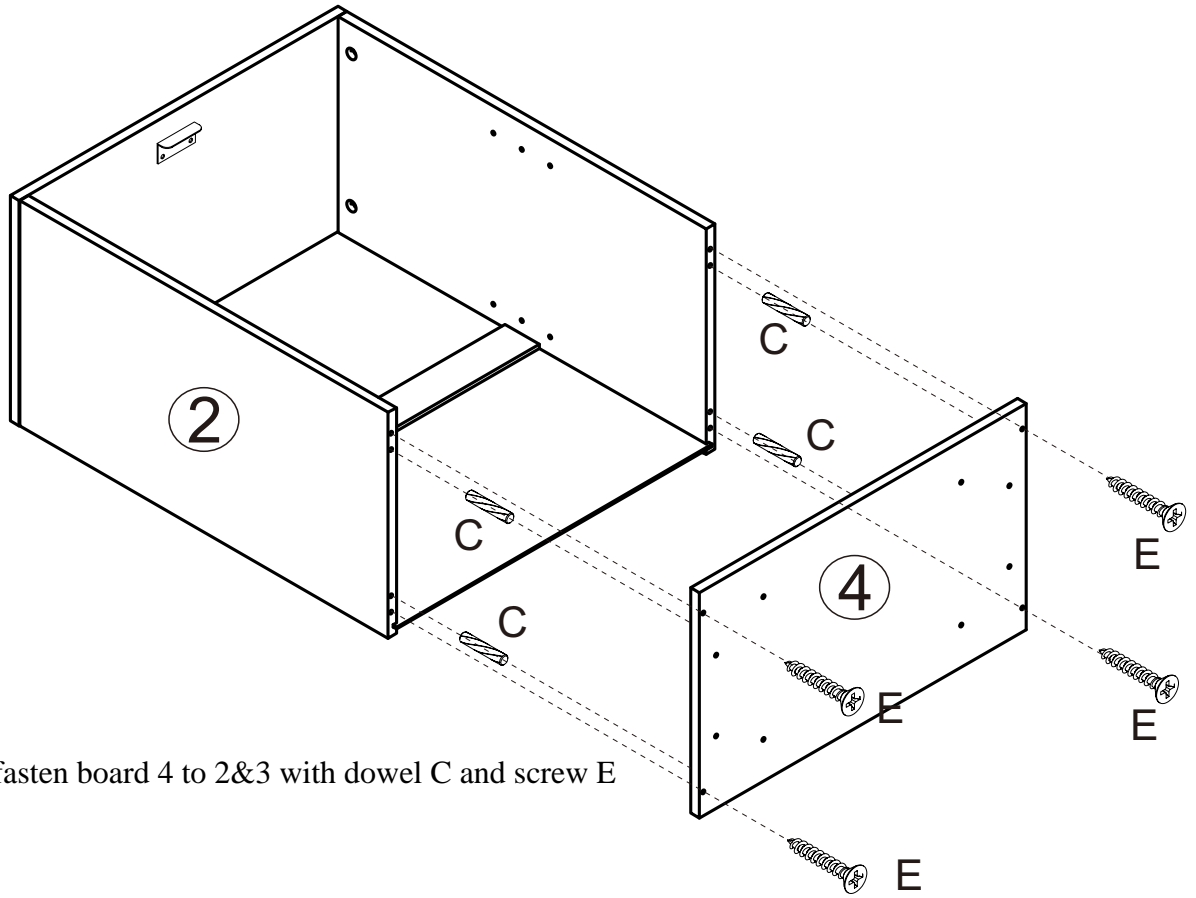
4



Slide board 6 to the grooves of 2&3&7

	Dx2
	Jx1

5



Connect and fasten board 4 to 2&3 with dowel C and screw E

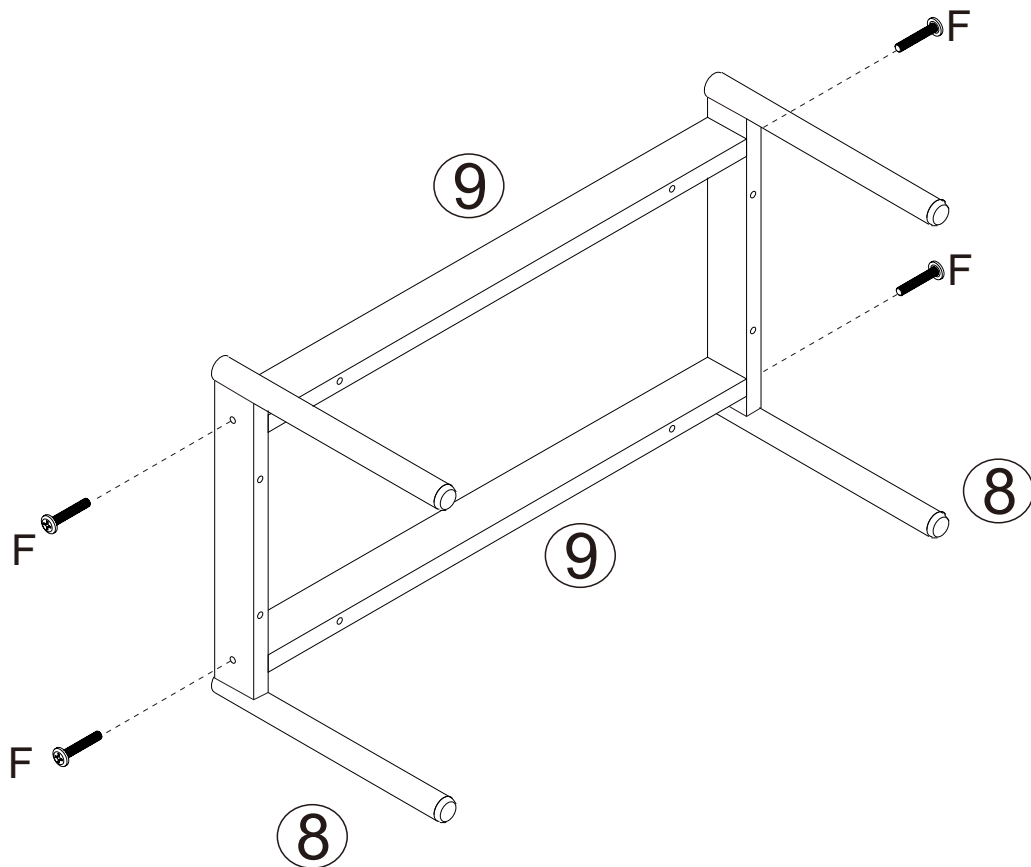


Cx4



Ex4

6

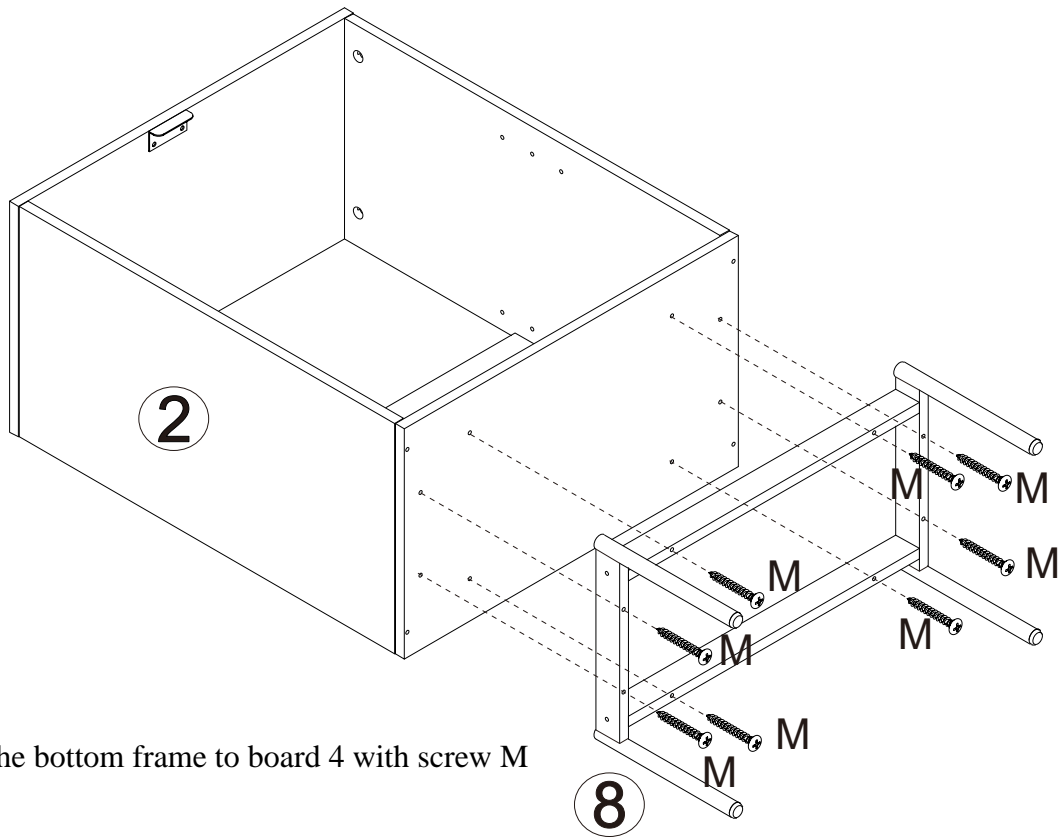


Connect leg 8 to batten 9 with screw F



Fx4

7

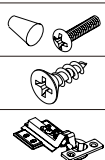
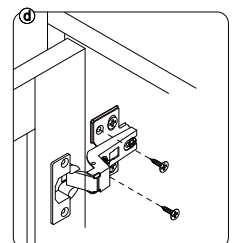
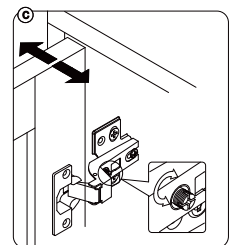
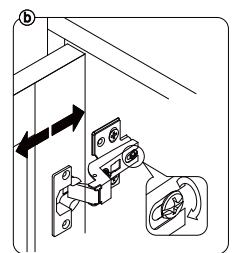
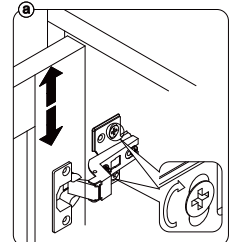
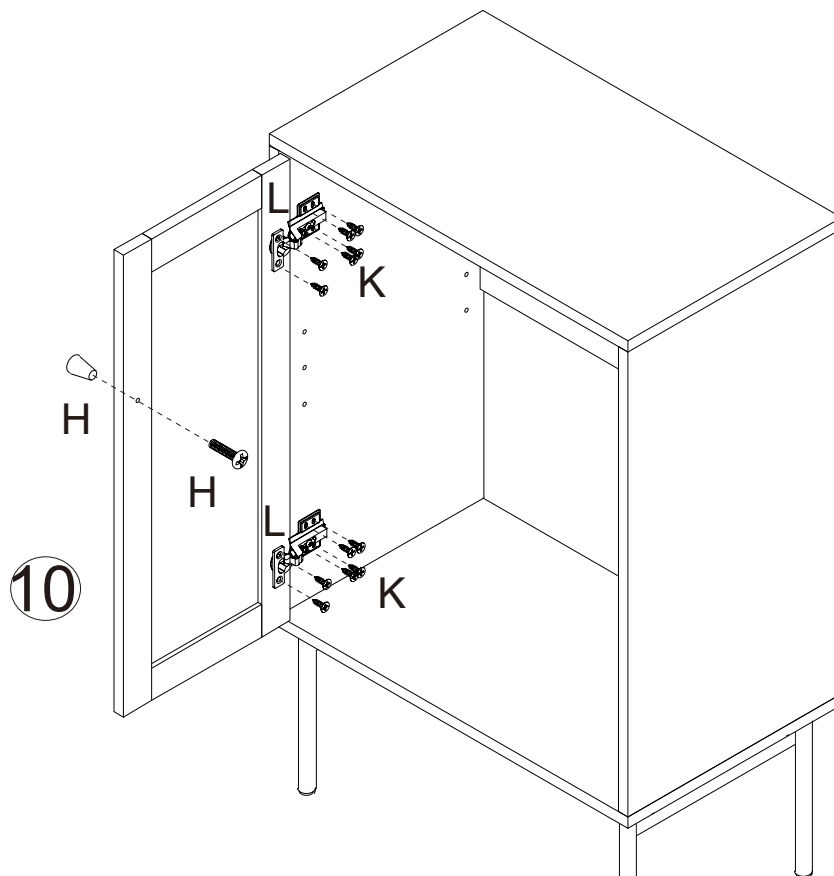


Attach the bottom frame to board 4 with screw M



Mx8

8



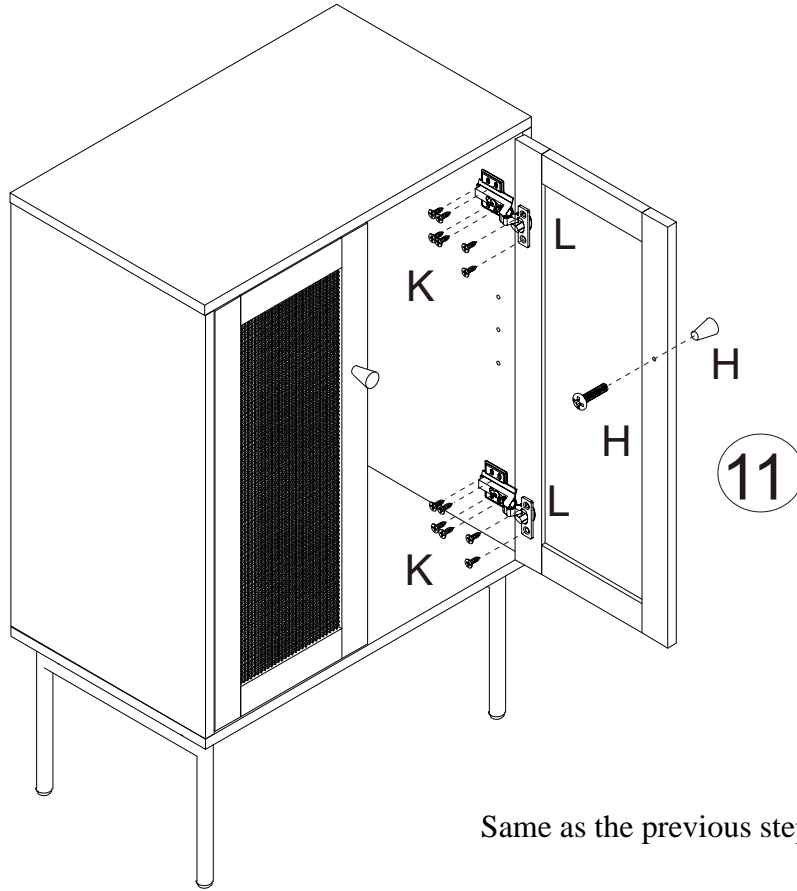
Hx1

Kx12




Lx2

Install handle H to board 10 and
fix hinge L to board 10 with screw K.
Stretch hinge L and fix its other end to board 2 with screw K

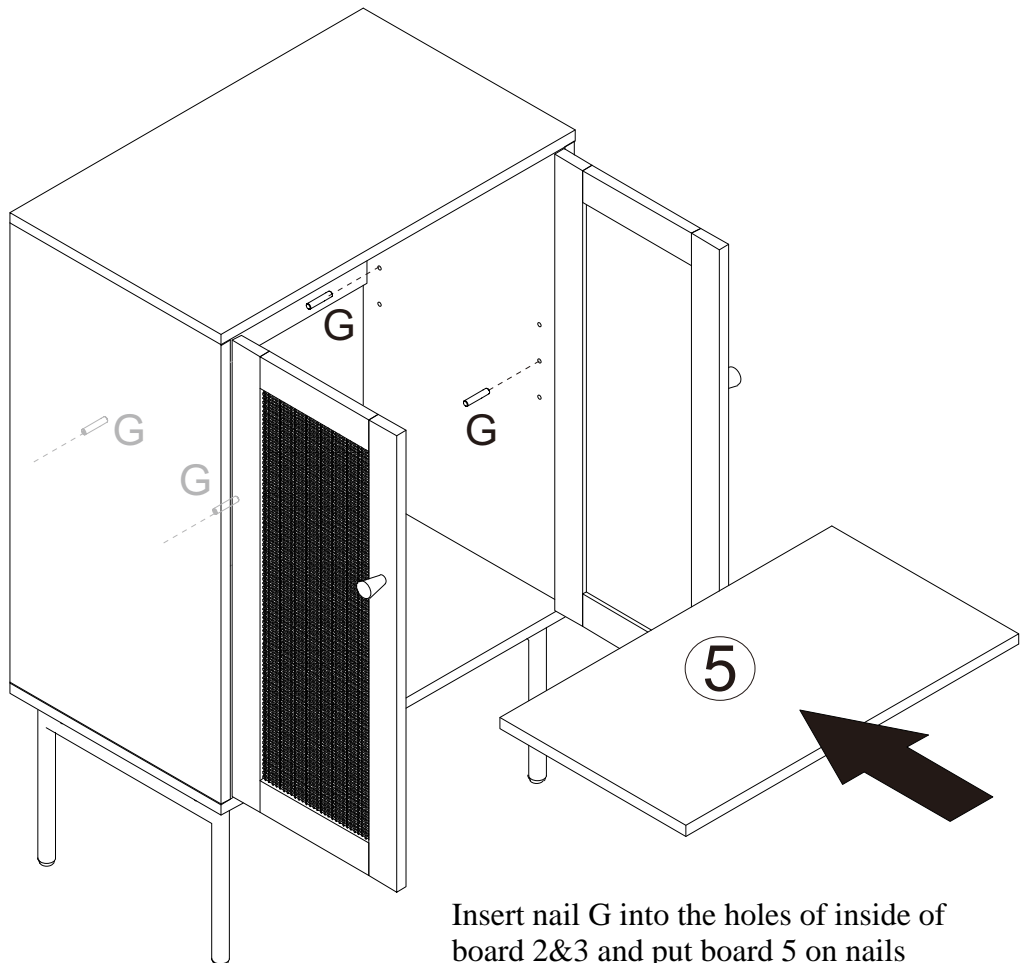
9



Same as the previous step

	Hx1
	Kx12
	Lx2

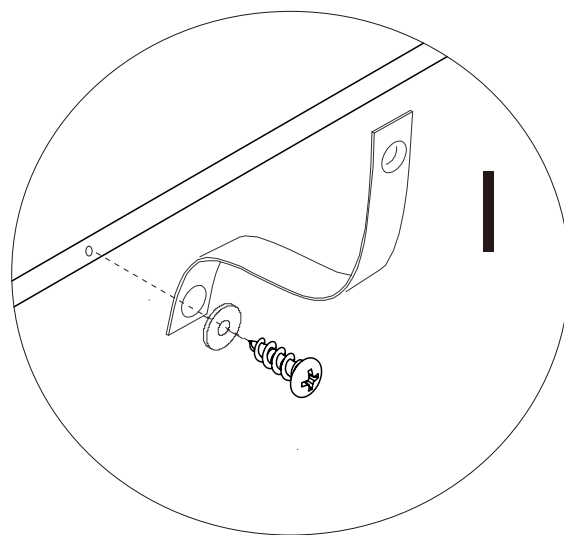
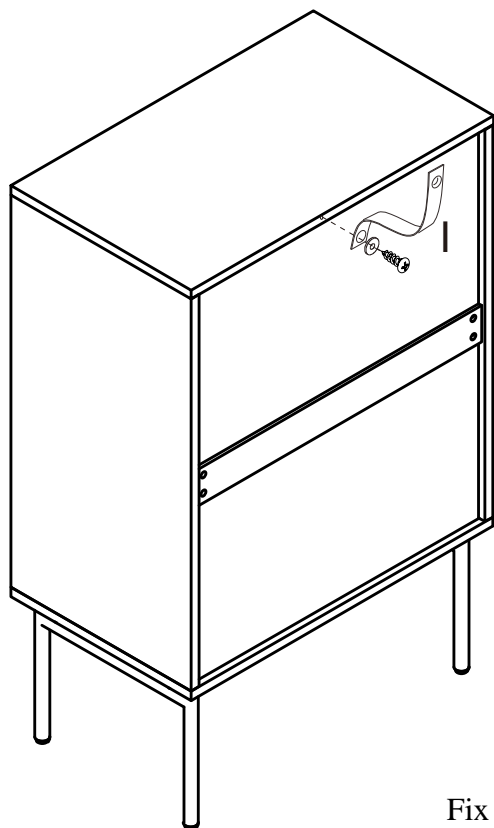
10



Insert nail G into the holes of inside of board 2&3 and put board 5 on nails

	Gx4
--	-----

11

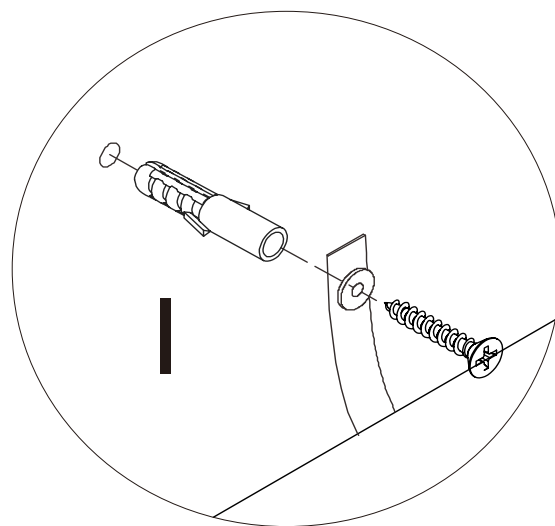
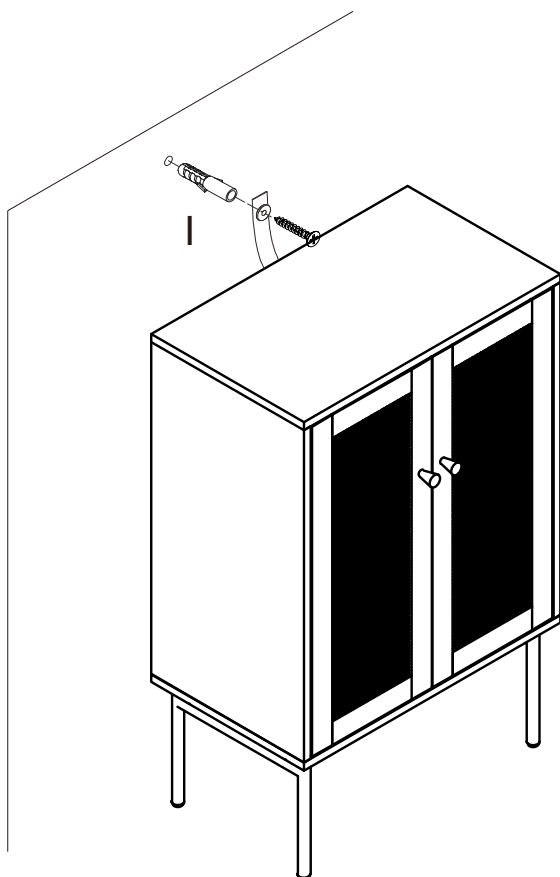


Fix anti-topple kit I to board 1



1x1

12



Lock the cabinet to the wall



1x1