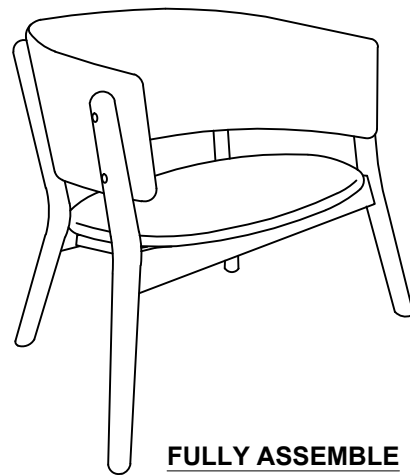


# ASSEMBLY INSTRUCTIONS

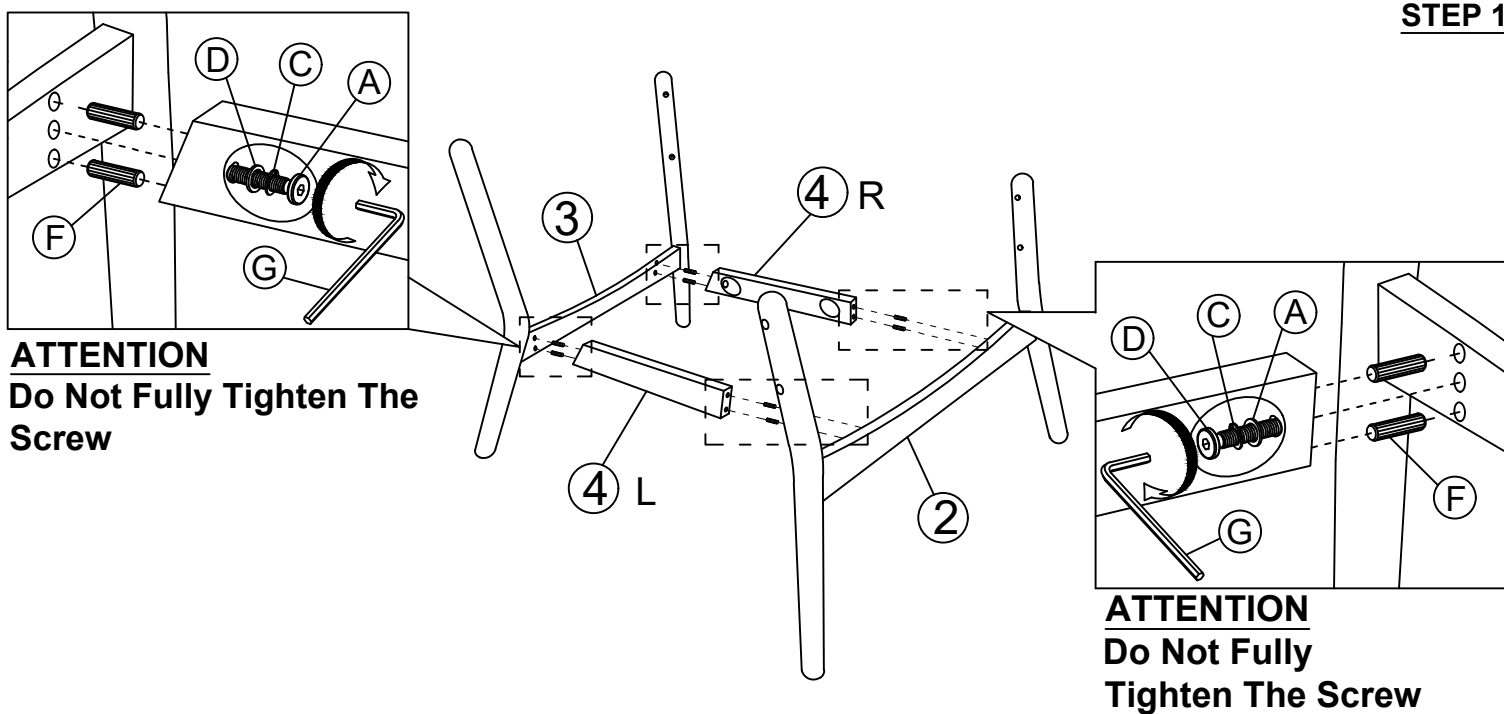
MODEL : RDC 794S-AC

ITEM	PART NAME	QTY
1	Back Rest	1 PC
2	Front Leg (Low)	1 PC
3	Back Leg (High)	1 PC
4	Support Bar Wrap (L=1pc & R=1pc)	2 PCS
5	Cushion Seat	1 PC

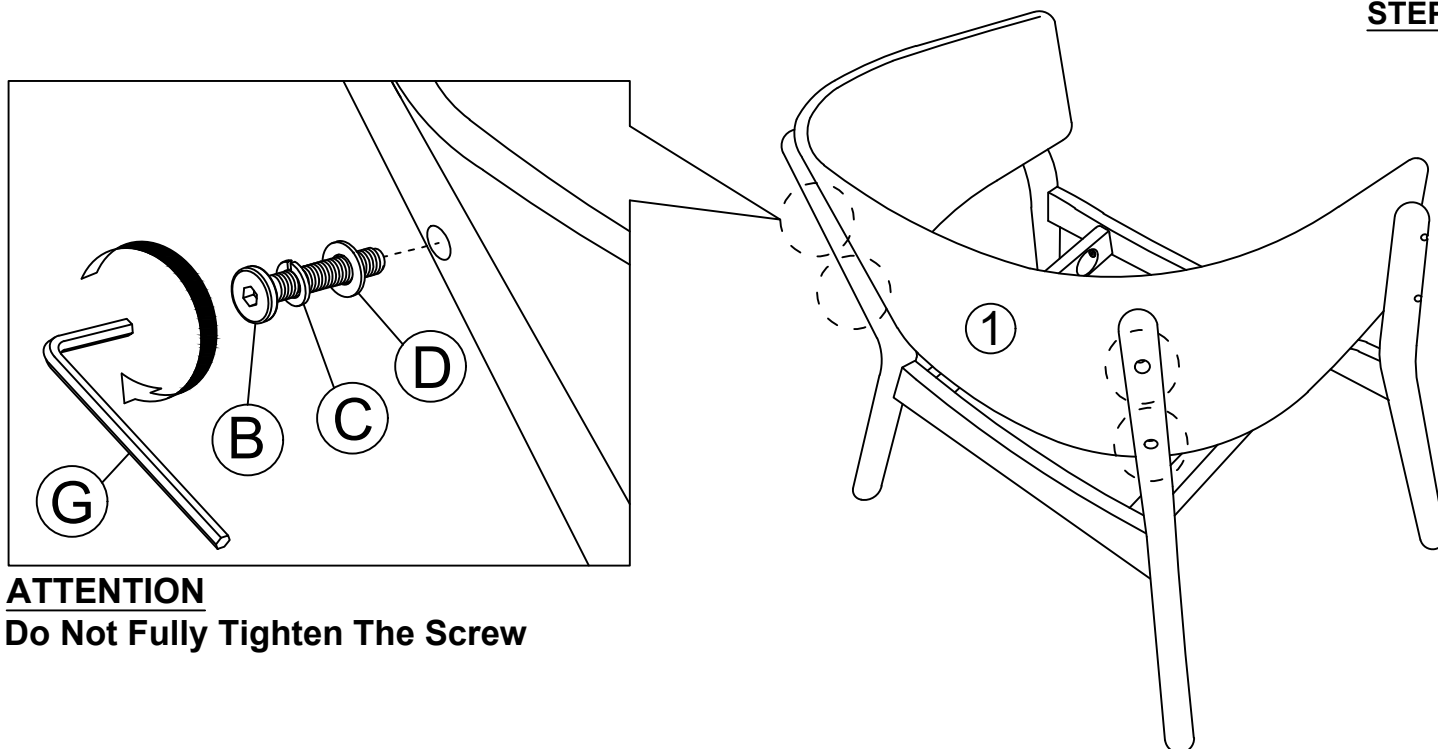
ITEM	HARDWARE NAME	DESCRIPTION	QTY
A	JCBC Bolt M6 x 50mm		4 PCS
B	JCBC Bolt M6 x 40mm		8 PCS
C	Spring Washer 1/4"		12 PCS
D	Flat Washer M6		12 PCS
E	CSK Screw M4 x 32mm		4 PCS
F	Wood Dowel 8 x 30mm		8 PCS
G	Allan Key M4		1 PC
H	Wood Button		8 PCS



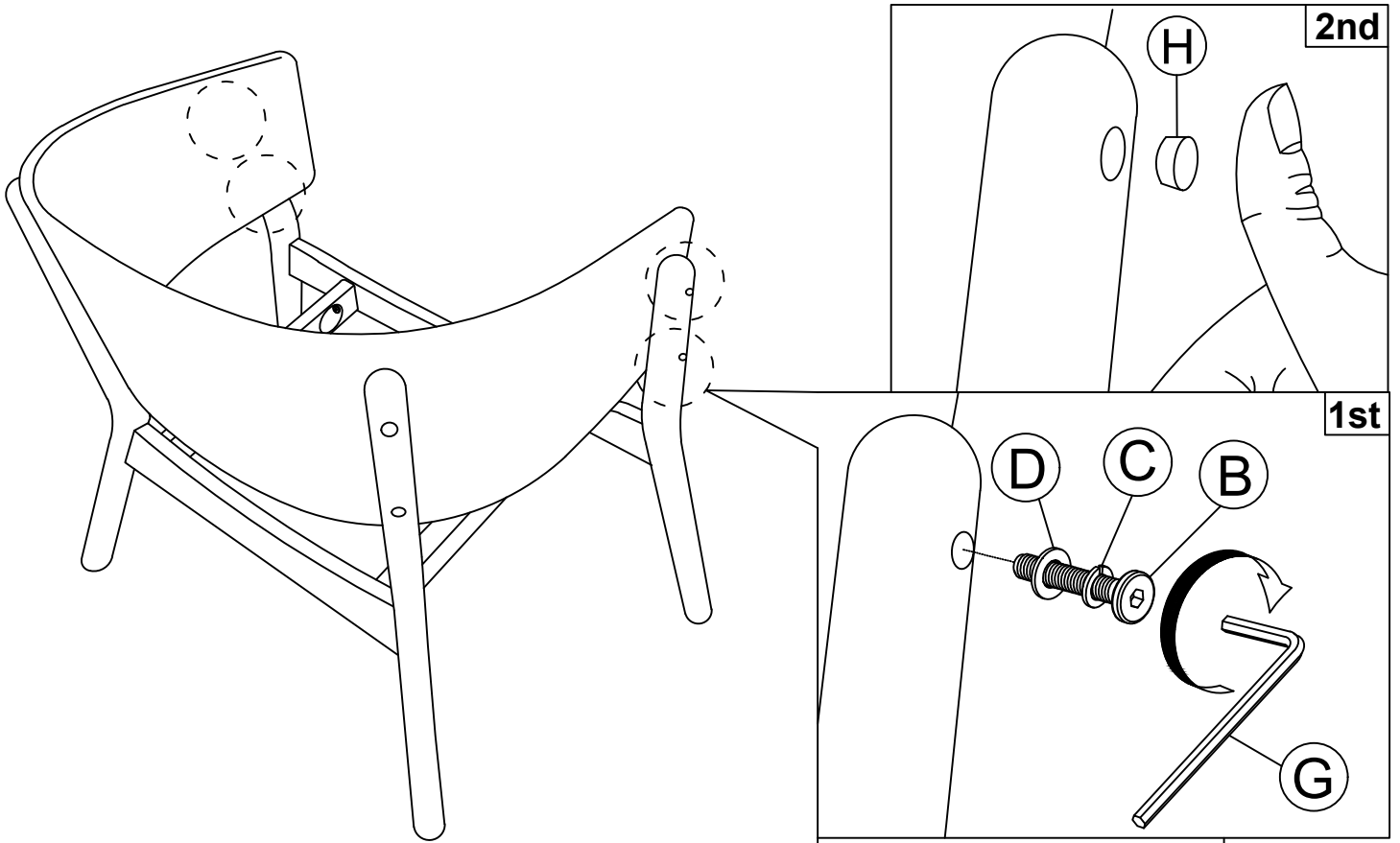
## STEP 1



## STEP 2



**STEP 3**

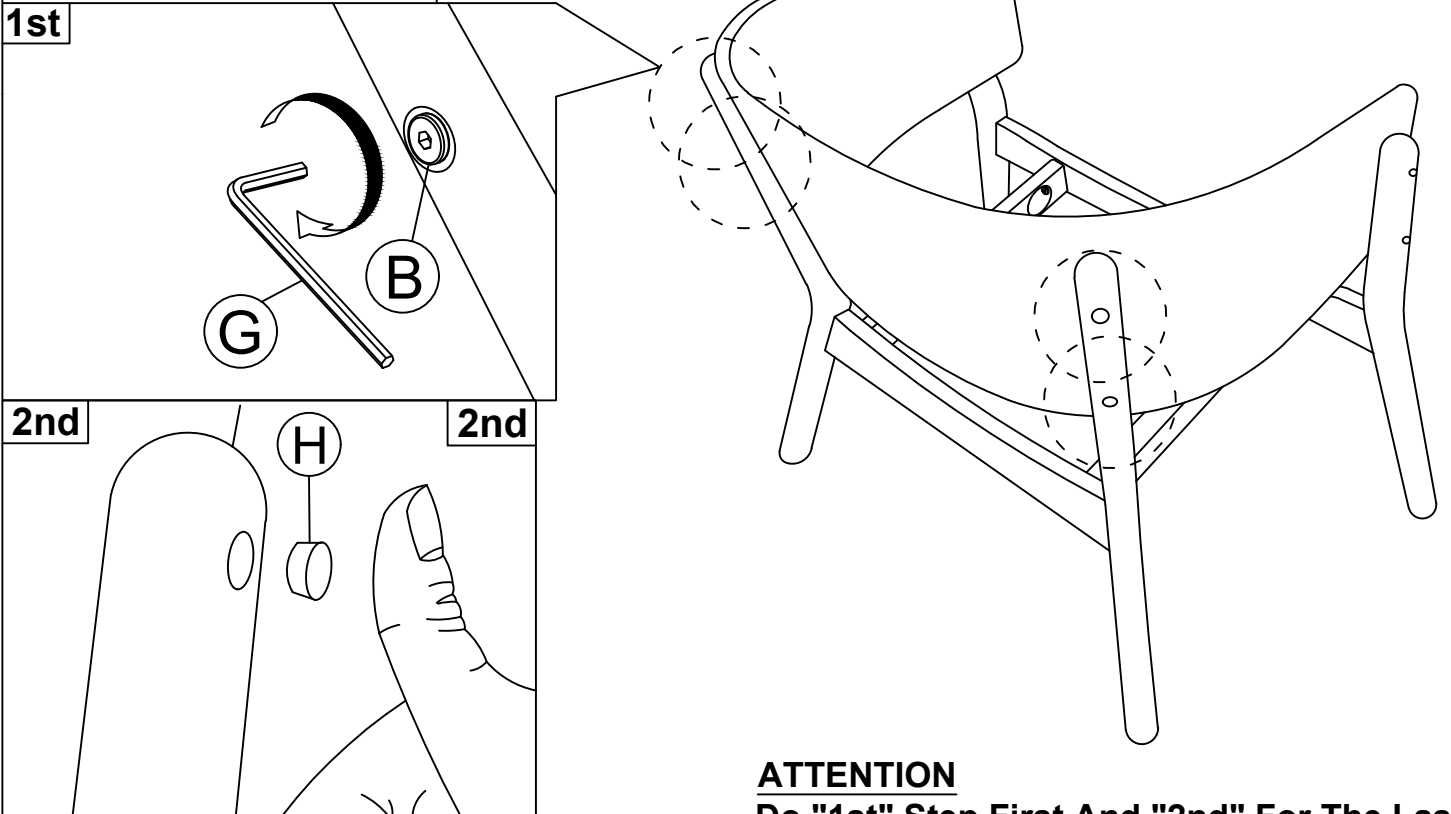


**ATTENTION**  
Do "1st" Step First And "2nd" For The Last.

**ATTENTION**  
Fully Tighten The Screw

**STEP 4**

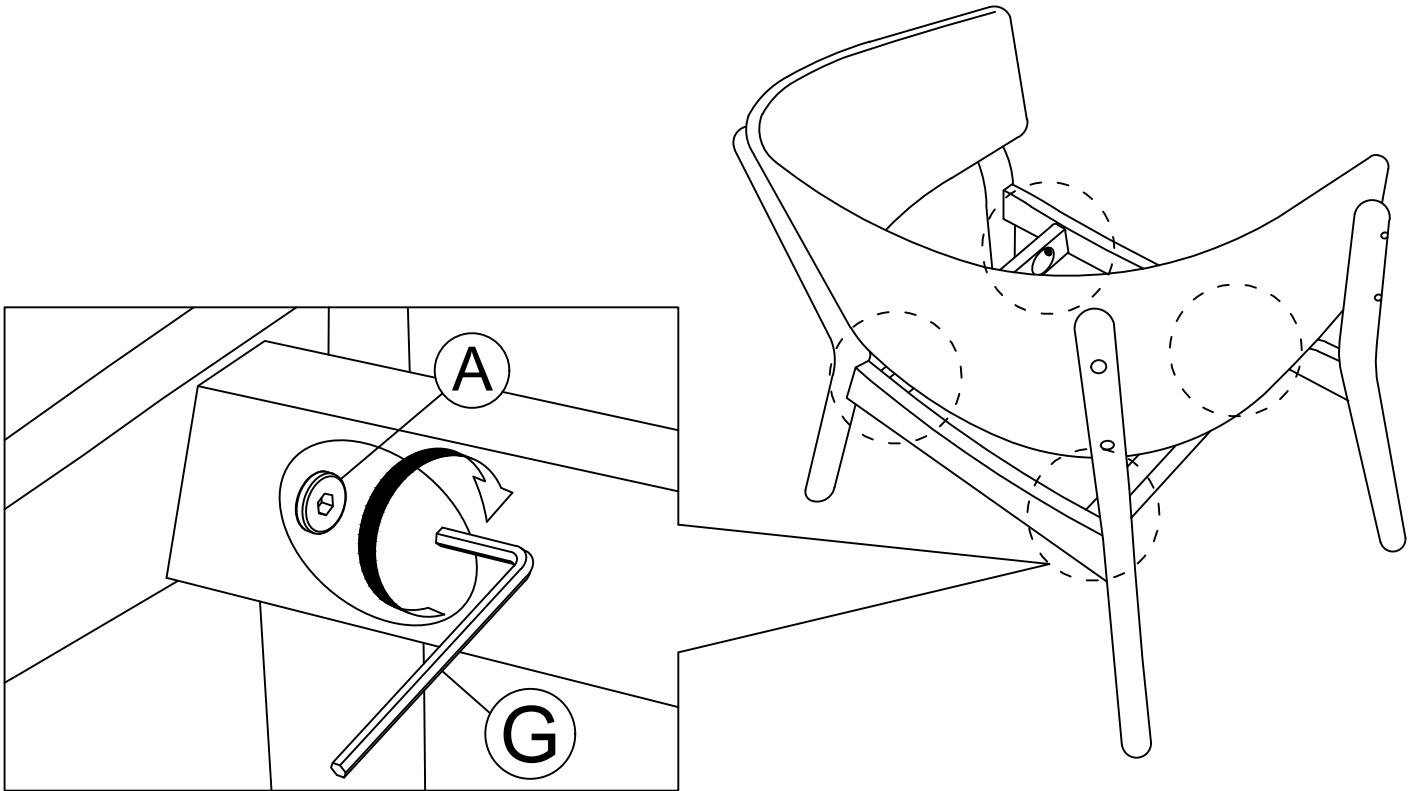
**ATTENTION**  
Fully Tighten The Screw



**ATTENTION**  
Do "1st" Step First And "2nd" For The Last.

**ATTENTION**

**Fully Tighten The All Screw From "Step 1"**



**Place Cushion Seat.**

