

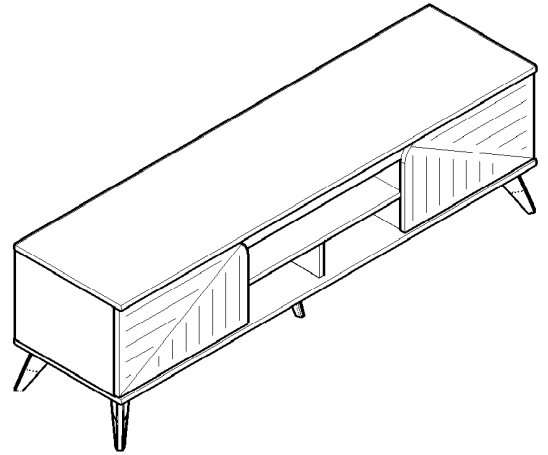
ASSEMBLY INSTRUCTIONS

LV45 TV 4512WI-CLB



Thank you for your purchase.
Before assembly, please read these instructions.
Please read all warnings.
Store this instruction manual for future reference.

Product Size	Approximately 398 Width x 1180 Length x 374 Height (MM)		
Main Materials	MDF (Medium Density Fiberboard)		
Weight Capacity	Top insert: About 30KG , Shelf insert: About 10KG , ※ These are measured figures, not guaranteed figures.		
Time To Assembly	About 60 Minutes	Update Date	20/2/2023



Assembly Warning

- Assembling with 2 or more people is recommended.
- Please assemble at a spacious and flat place
- Please place blankets or cardboard so floor or walls will not be scratched
- Please ventilate the area if there is a strong glue odor after opening the product
- Please follow assembly instructions
- Please have the below tools ready before assembling
 - Screwdriver, Scissors or Blade Box cutter, Rubber hammer, Drill

Hardware

Before assembly, inspect unit for missing parts. Be sure that children do not accidentally swallow these parts.
※ Same sized parts are in a bag. Please check the size of the screws.



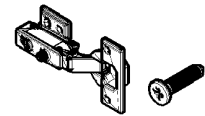
A Minifix
M5x24MM **8 Pcs**



B Minifix
Casing **8 Pcs**



C Wood Dowel
M8x30MM **21 Pcs**



D Hydraulic Hinges 5/8" **4 Pcs**
Screw M3.5x16MM **24 Pcs**



E Pvc Long Leg **4 Pcs**
Screw M4x20MM **16 Pcs**



F Screw
M6x50MM **12 Pcs**



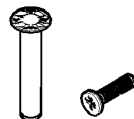
G Screw
M3.5x16MM **6 Pcs**



H Screw
M4x45MM **2 Pcs**

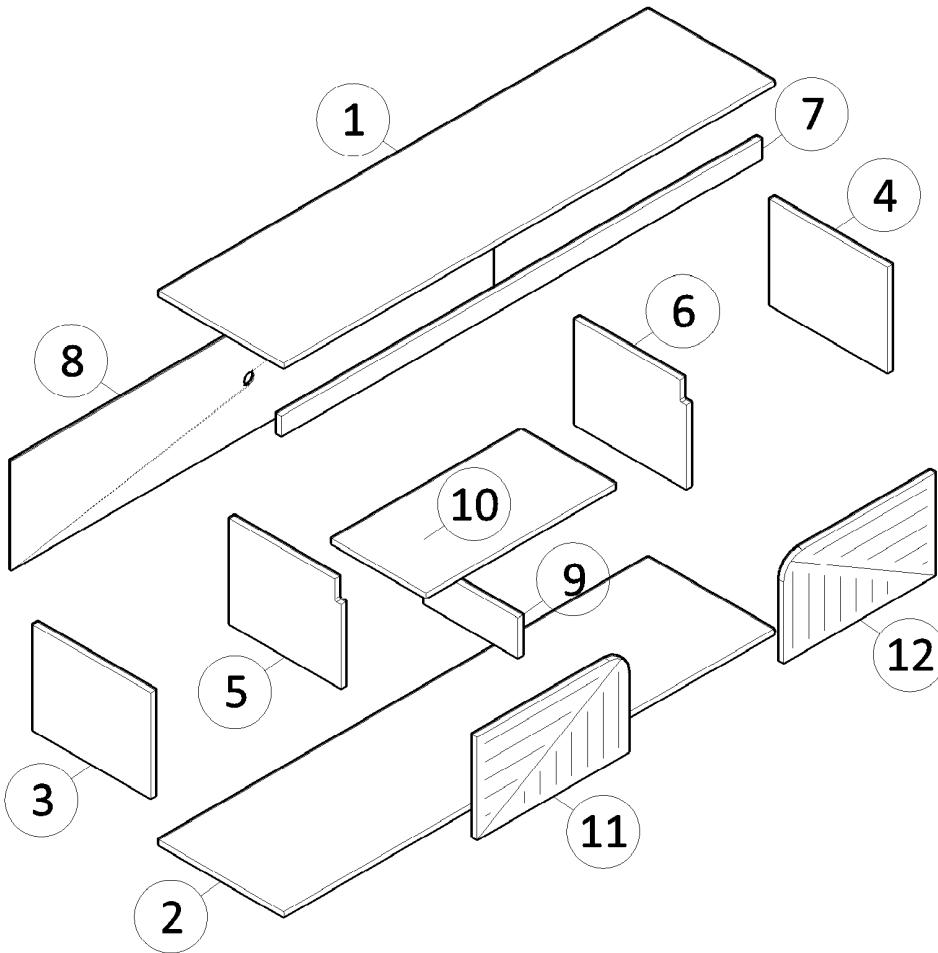


I Allen Key **1 Pc**



J Center
Support Leg **1 Pc**
M3.5x16MM **4 Pcs**

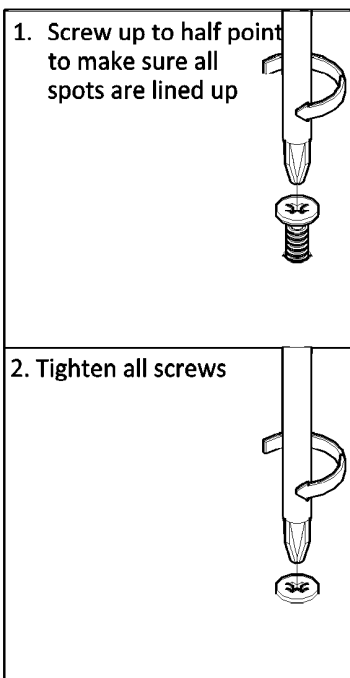
Parts



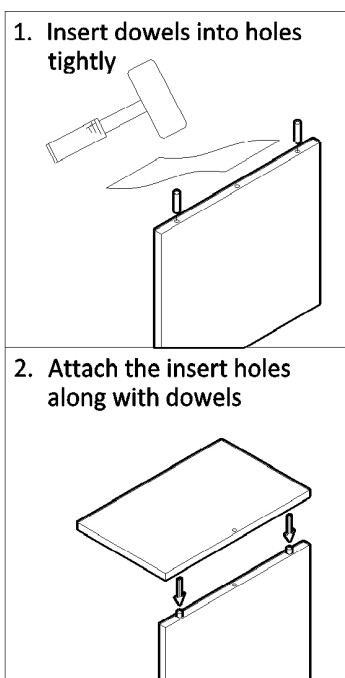
1	Top Panel	1 Pc
2	Bottom Panel	1 Pc
3	Side Panel (L)	1 Pc
4	Side Panel (R)	1 Pc
5	Center Panel (L)	1 Pc
6	Center Panel (R)	1 Pc
7	Internal Support Panel	1 Pc
8	Back Mdf Board	1 Pc
9	Stand Panel	1 Pcs
10	Shelf Panel	1 Pc
11	Door Panel (L)	1 Pc
12	Door Panel (R)	1 Pc

Assembly Information

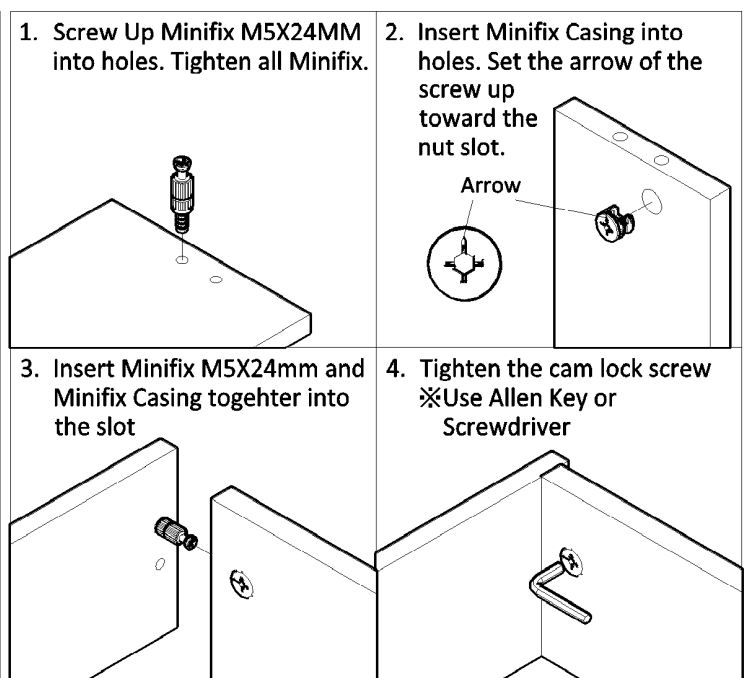
Assemble screws



Assemble Wood Dowels

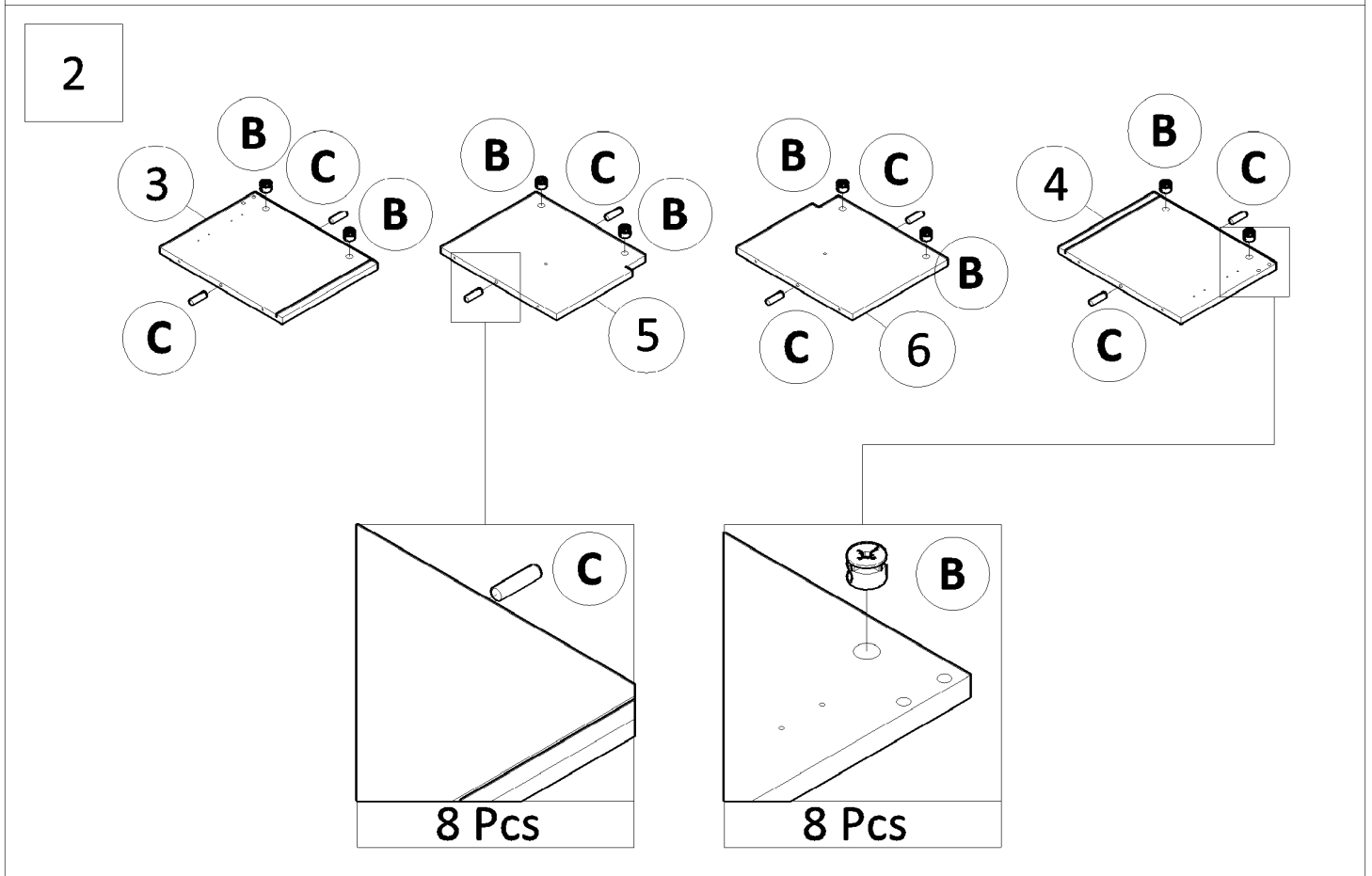
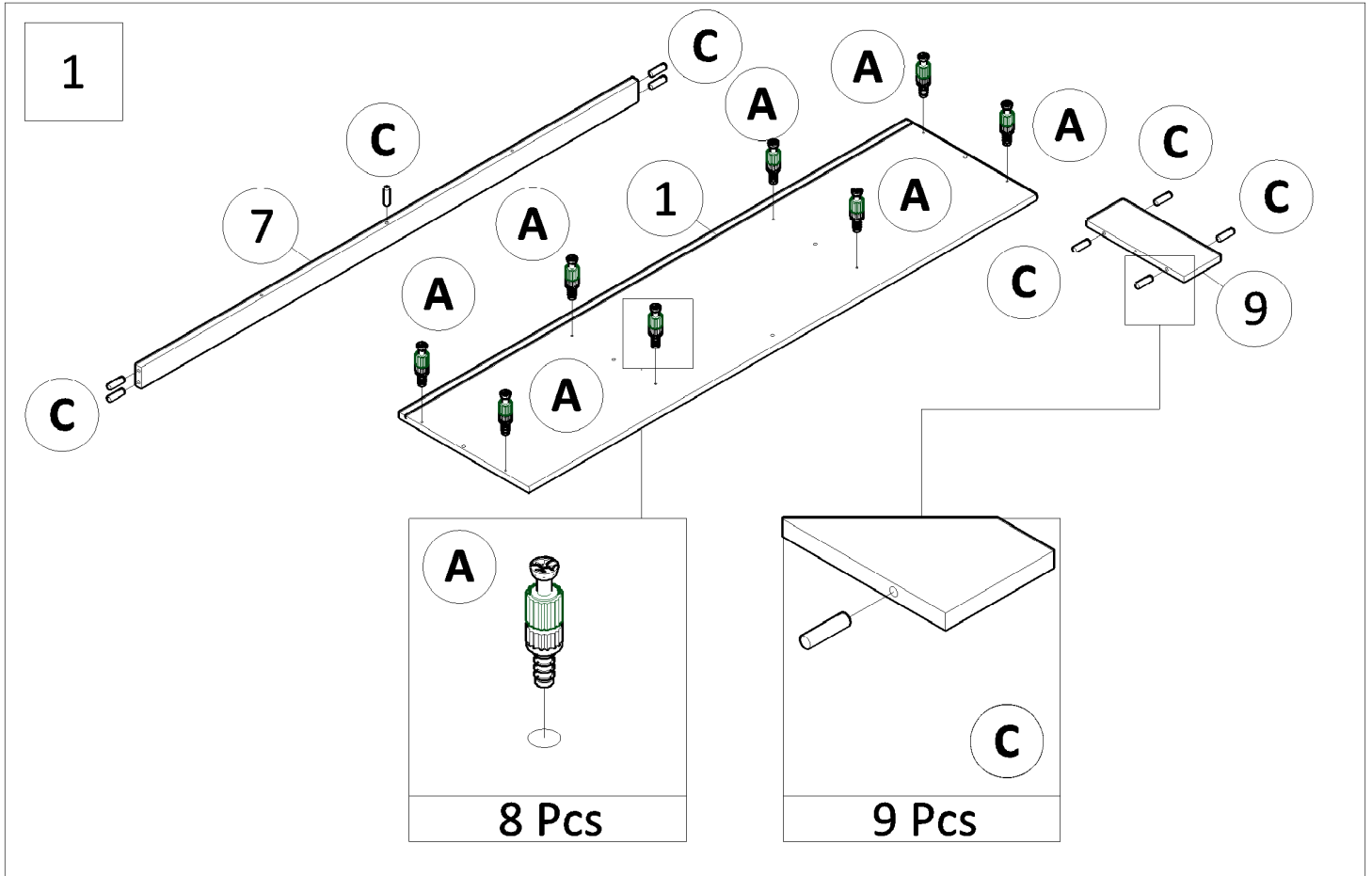


Assemble Minifix



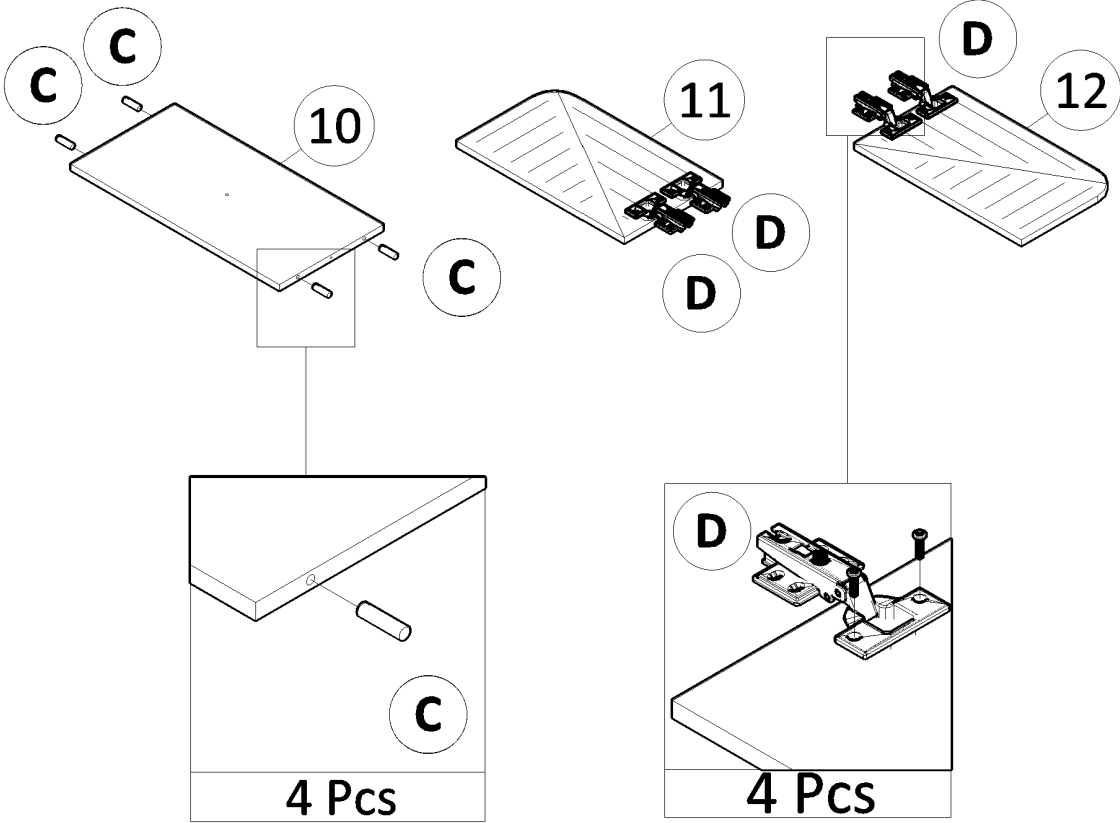
Assembly Step

Failure to follow these directions could cause poor strength or stability.
Insert screws loose to line up with slots then tighten up each screw.

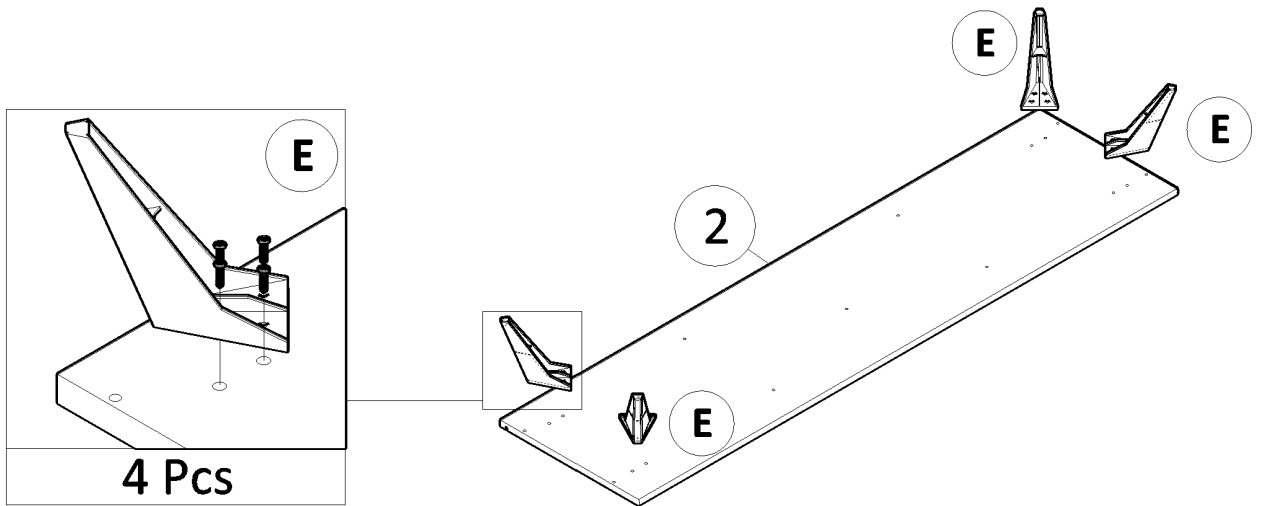


Assembly Step (Continue)

3

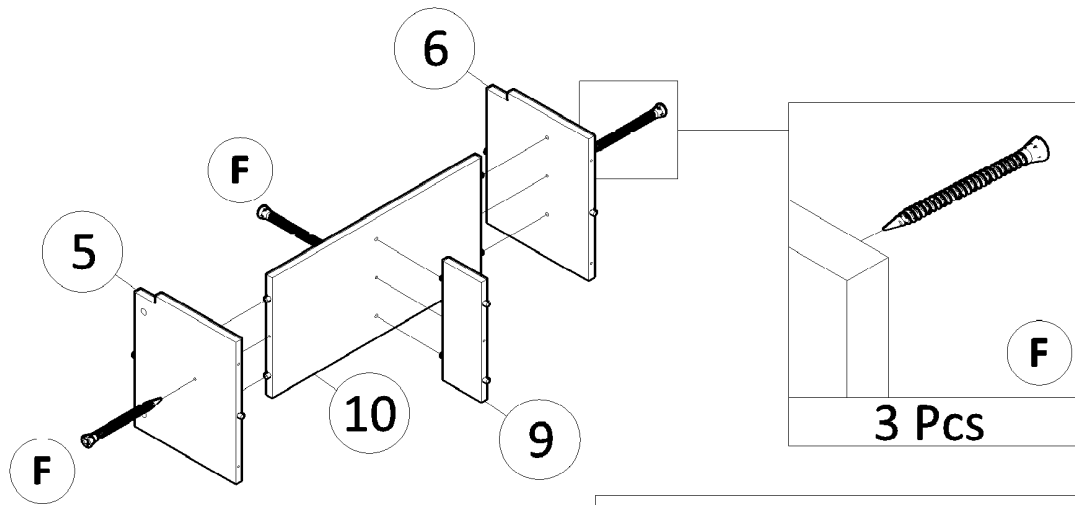


4



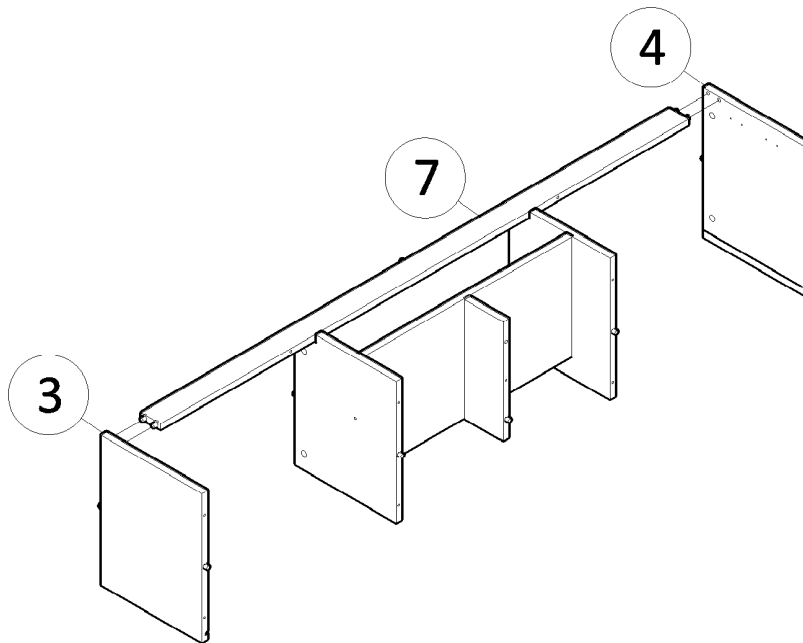
Assembly Step (Continue)

5



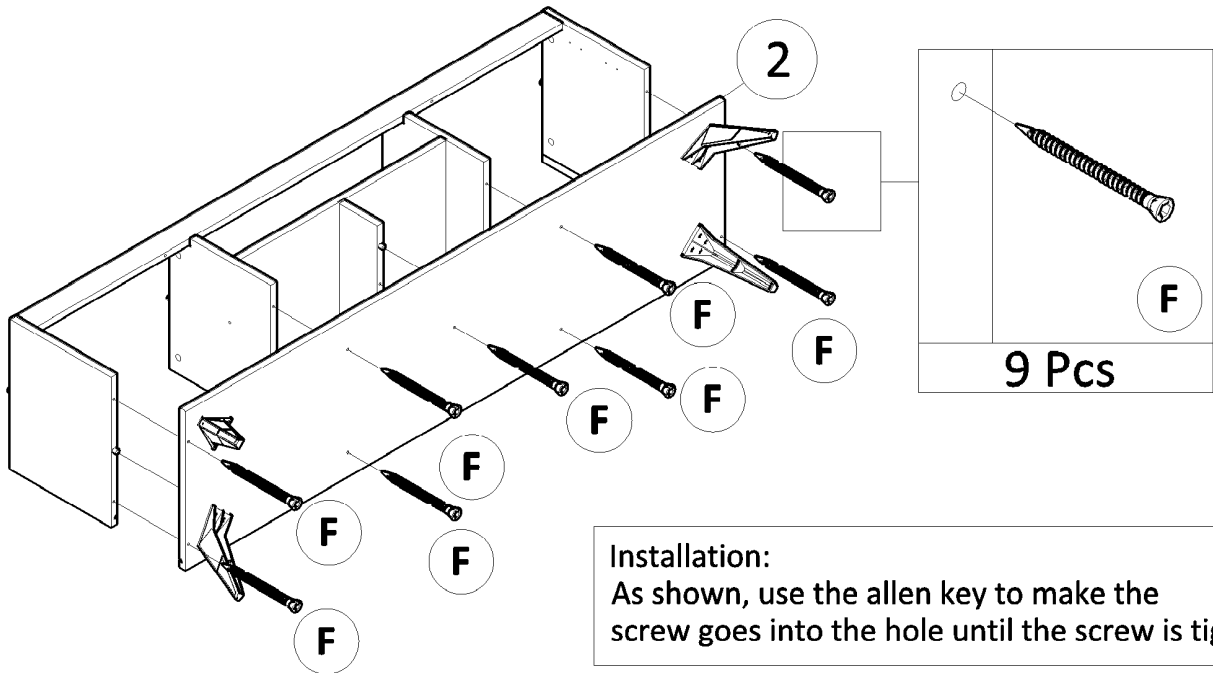
Installation:
As shown, use the allen key to make the screw goes into the hole until the screw is tight.

6

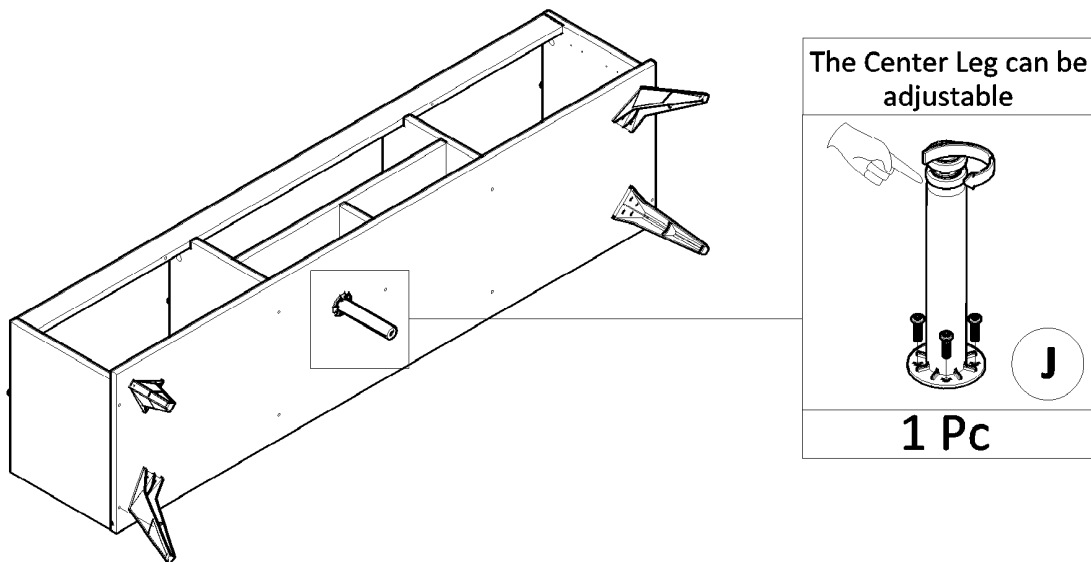


Assembly Step (Continue)

7

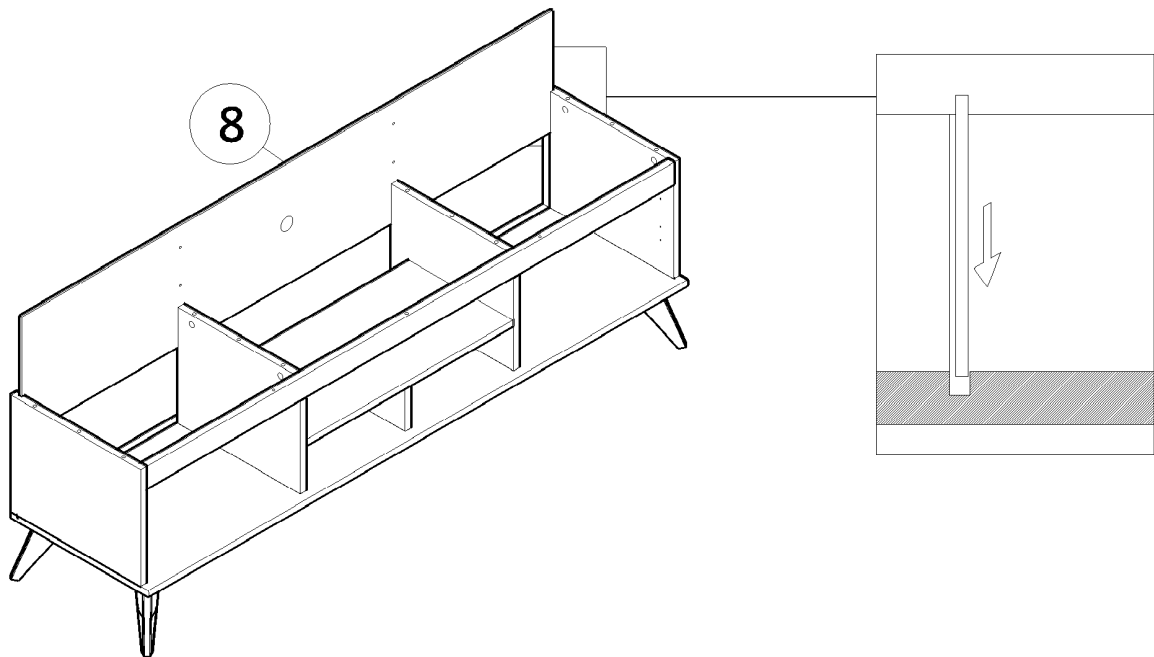


8

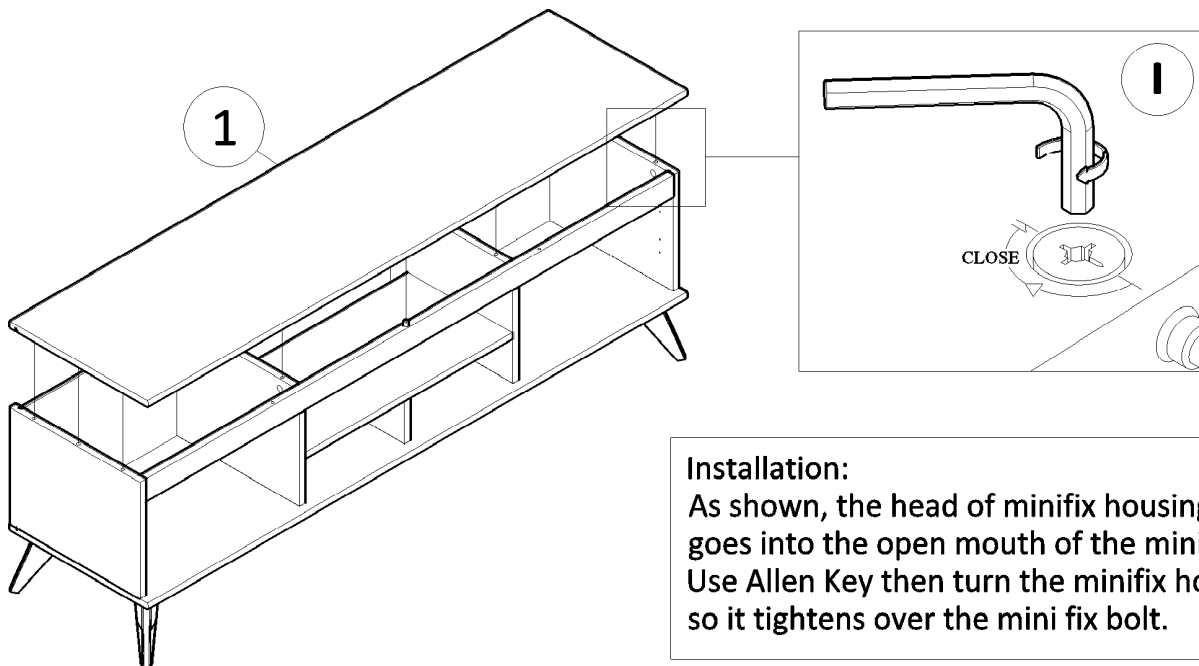


Assembly Step (Continue)

9



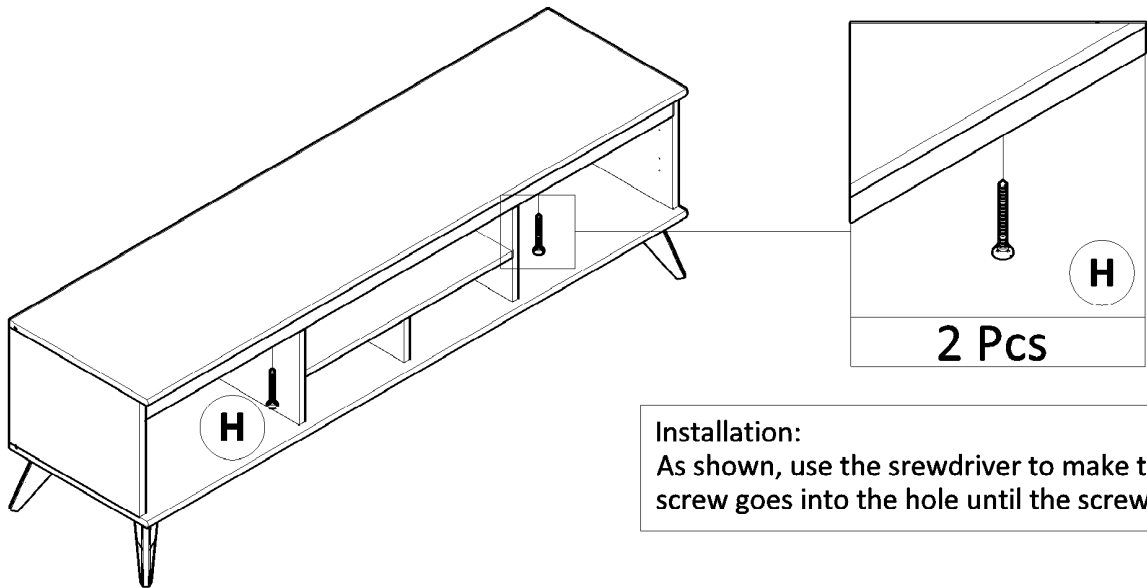
10



Installation:
As shown, the head of minifix housing goes into the open mouth of the mini fix bolt. Use Allen Key then turn the minifix housing so it tightens over the mini fix bolt.

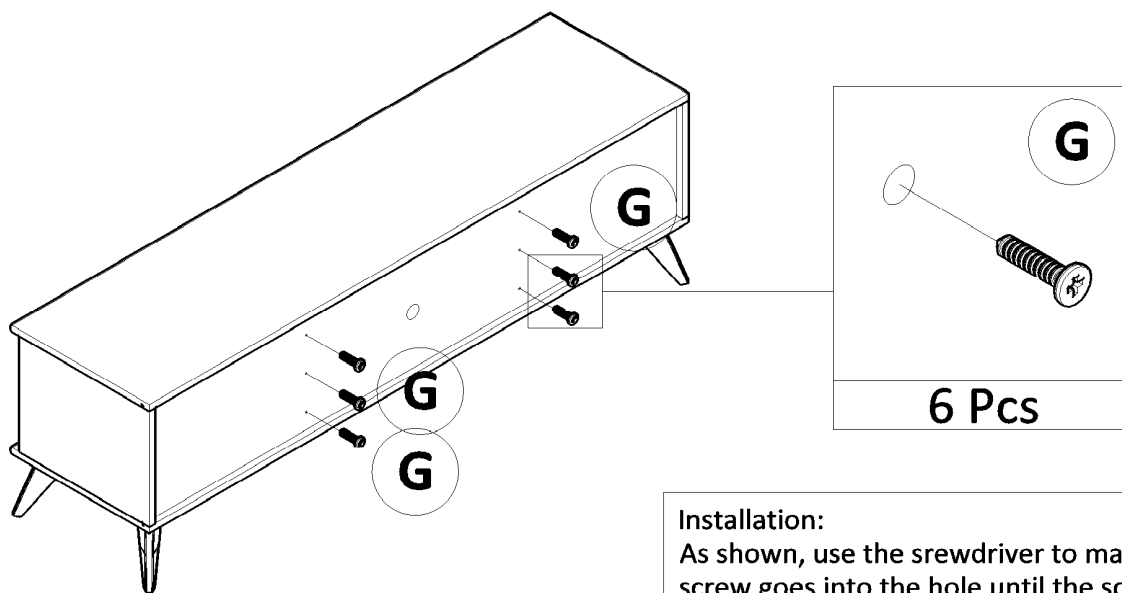
Assembly Step (Continue)

11



Installation:
As shown, use the screwdriver to make the screw goes into the hole until the screw is tight.

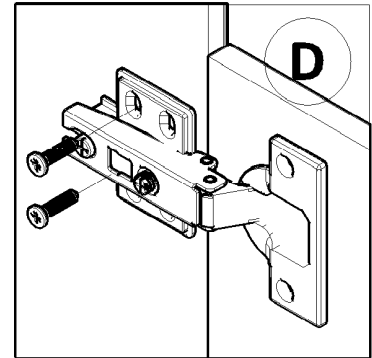
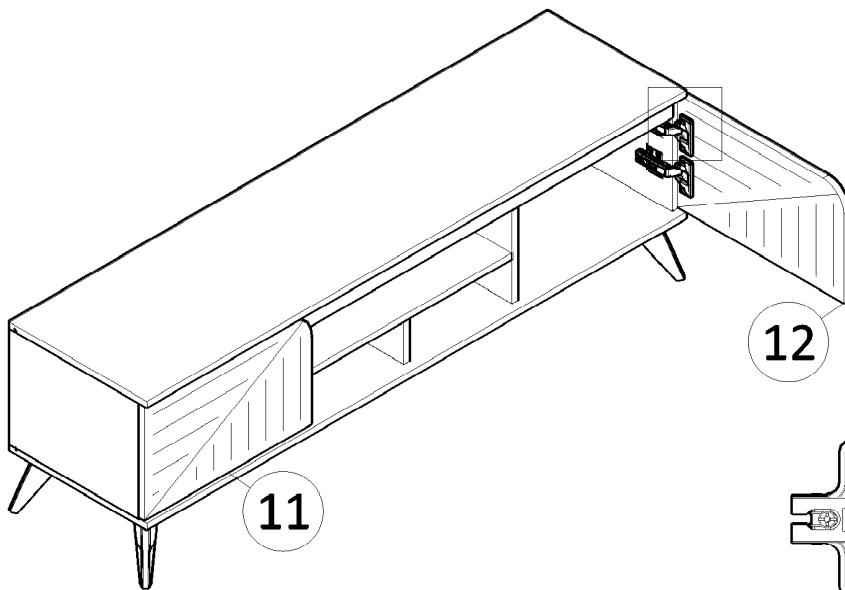
12



Installation:
As shown, use the screwdriver to make the screw goes into the hole until the screw is tight.

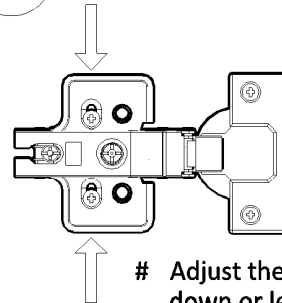
Assembly Step (Continue)

13



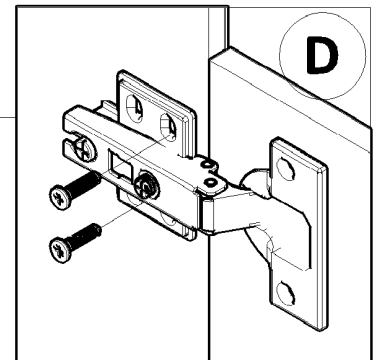
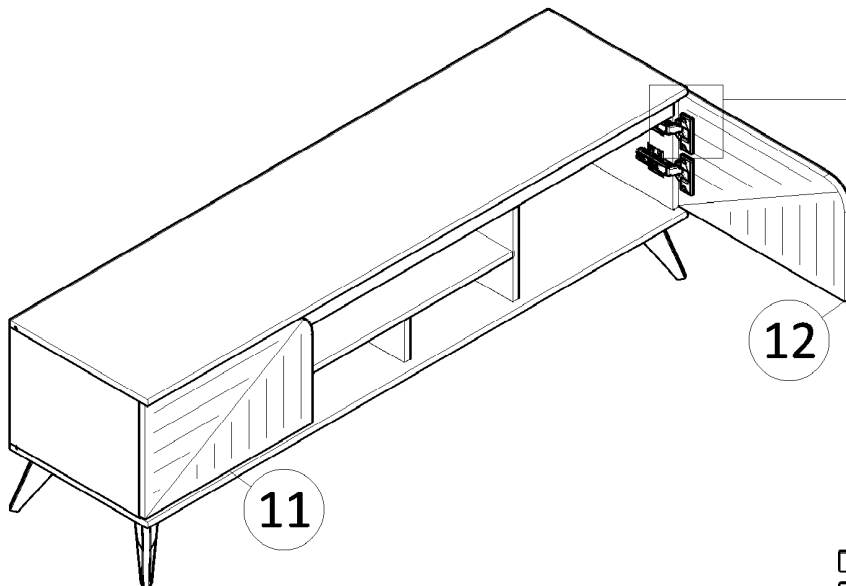
12

11



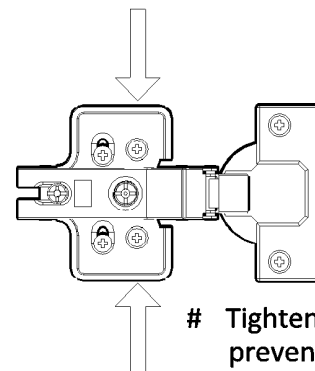
Adjust the door by moving it up and down or left and right then tighten the screws.

14



12

11

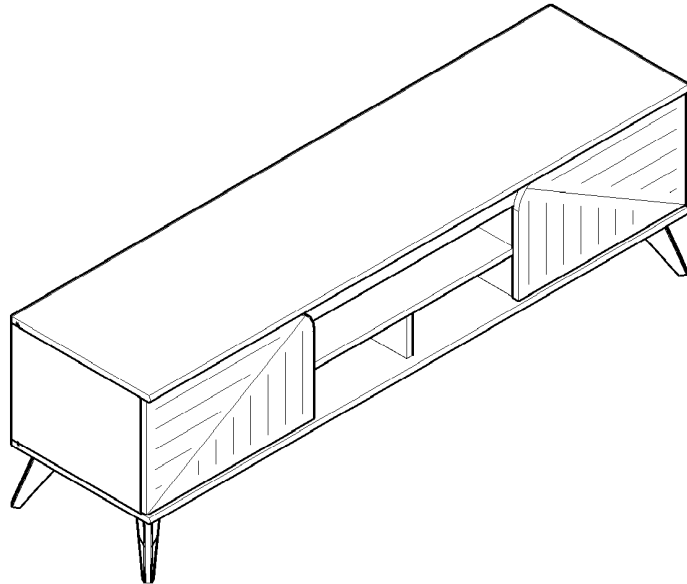


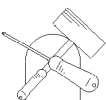
Tighten the screws to prevent sliding doors.

Assembly Step (Continue)

15

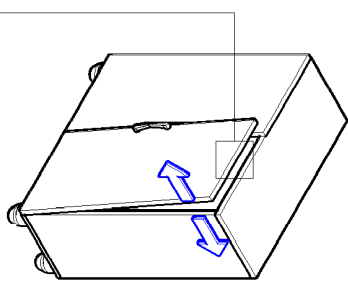
COMPLETED



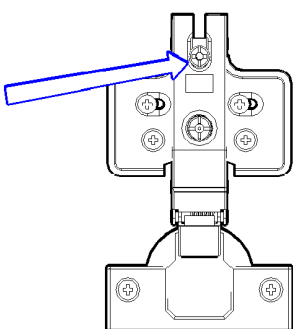


HOW TO ADJUST GLASS/DOORS

- There is a gap between the door and the shelf with doors closed
- Loosen the back adjustable screw which is one of the two screws looking from the front while supporting the doors, adjust the door by moving it back and forth, then tighten the back screw.

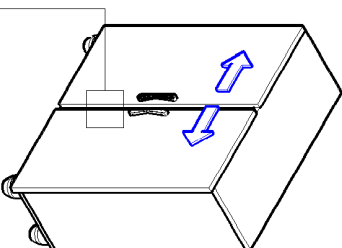


If there is a gap between the doors on the top.

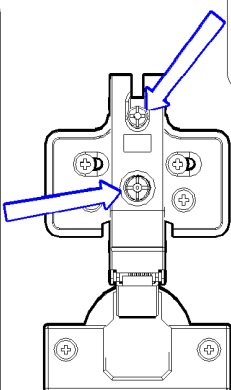


Loosen this screw, adjust by moving back and forth

- There is a gap in the middle with doors closed
- Loosen the ① back adjustable screw which is one of the two screws looking from the front while supporting the doors, tighten the ② screw clockwise, then adjust the middle gap. After adjusted, tighten the ① screw.



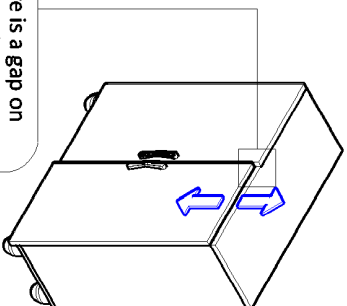
If the gap is wide



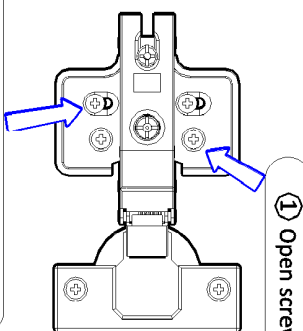
① Fixing screw

② Adjusting screw
(If you twist clockwise once, the door moves about 2mm inward)

- There is a gap on the top of the door when doors are closed (Glass slide hinge does not require this step) (4 screw hole hinge does not require ①)
- Loosen the slide hinge screw while supporting the door, adjust the door by moving it up and down then tighten the screws. (Please loosen the slide hinge screws of the door completely you are adjusting before moving it up and down.)



If there is a gap on the top of the door

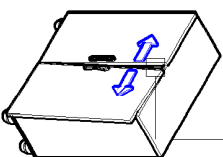


① Open screw

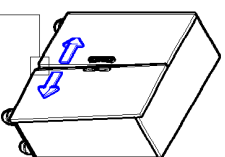
② Slide hinge screws (Please loosen these screws before adjusting)

- There is a V gap when doors are closed
- Loosen the ① back adjustable screw which is one of the two screws looking from the front while supporting the doors, tighten the ② screw clockwise, then adjust the middle gap. After adjusted, tighten the ① screw.

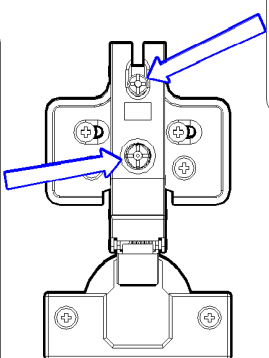
If there is a gap between the doors on the top (Please adjust slide hinge the top part door)



If there is a gap between the doors on the bottom (Please adjust slide hinge the bottom part door)



① Fixing screw



② Adjusting screw
(If you twist clockwise once, the door moves about 2mm inward)