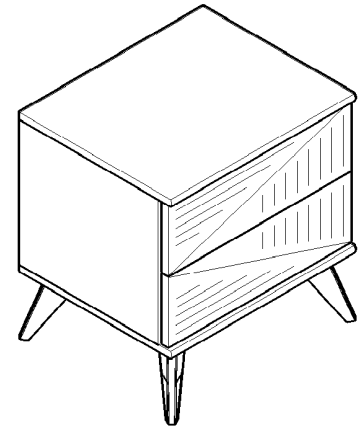


ASSEMBLY INSTRUCTIONS

LV45 ST 4524WI-CLB

Thank you for your purchase.
Before assembly, please read these instructions.
Please read all warnings.
Store this instruction manual for future reference.



Product Size	Approximately 400 Width x 480 Length x 470 Height (MM)		
Main Materials	MDF (Medium Density Fiberboard)		
Weight Capacity	Top insert: About 30KG, Shelf insert: About 10KG, ※ These are measured figures, not guaranteed figures.		
Time To Assembly	About 60 Minutes	Update Date	20/2/2023

Assembly Warning

- Assembling with 2 or more people is recommended.
- Please assemble at a spacious and flat place
- Please place blankets or cardboard so floor or walls will not be scratched
- Please ventilate the area if there is a strong glue odor after opening the product
- Please follow assembly instructions
- Please have the below tools ready before assembling
 - Screwdriver, Scissors or Blade Box cutter, Rubber hammer, Drill

Hardware

Before assembly, inspect unit for missing parts. Be sure that children do not accidentally swallow these parts.
※ Same sized parts are in a bag. Please check the size of the screws.



A Minifix
M5x24MM 5 Pcs



B Minifix
Casing 5 Pcs



C Wood Dowel
M8x30MM 8 Pcs



D Drawer Slide 12" 2 Sets
Screw M3.5x12MM 24 Pcs



E Screw
M4x38MM 16 Pcs



F Pvc Long Leg 4 Pcs
Screw M4x20MM 16 Pcs



G Screw
M6x50MM 5 Pcs

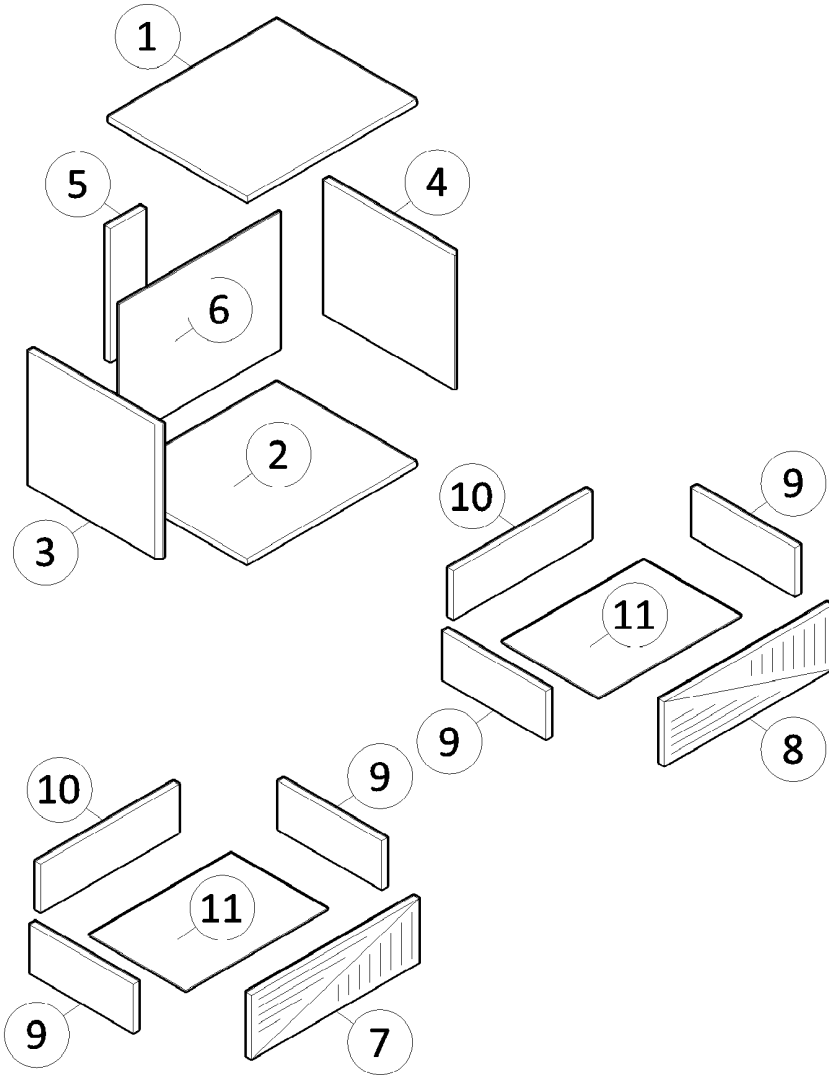


H Allen Key 1 Pc



I Screw
M3.5x16MM 3 Pcs

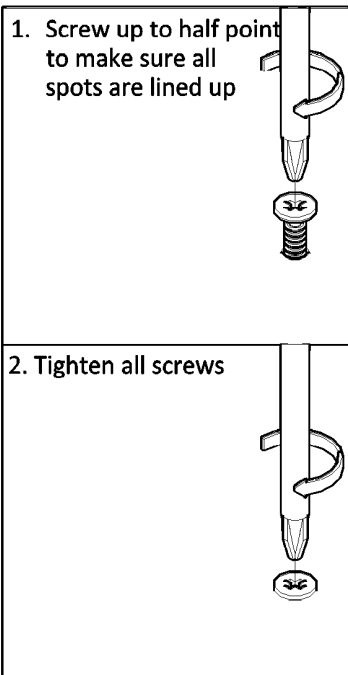
Parts



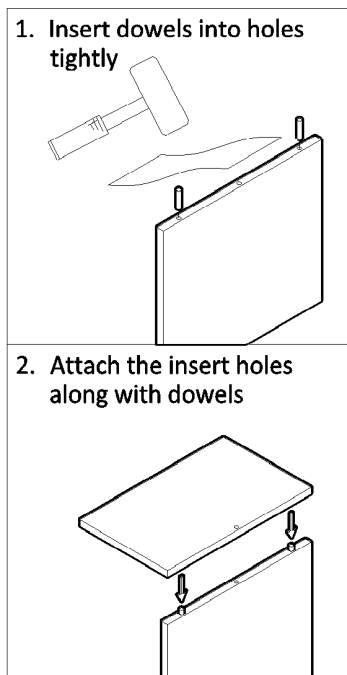
① Top Panel	1 Pc
② Bottom Panel	1 Pc
③ Side Panel (L)	1 Pc
④ Side Panel (R)	1 Pc
⑤ Back Support Panel	1 Pc
⑥ Back Mdf Board	1 Pc
⑦ 1st Drawer Face Panel	1 Pc
⑧ 2nd Drawer Face Panel	1 Pc
⑨ Drawer Side Panel	4 Pcs
⑩ Drawer Back Panel	2 Pcs
⑪ Drawer Mdf Board	2 Pcs

Assembly Information

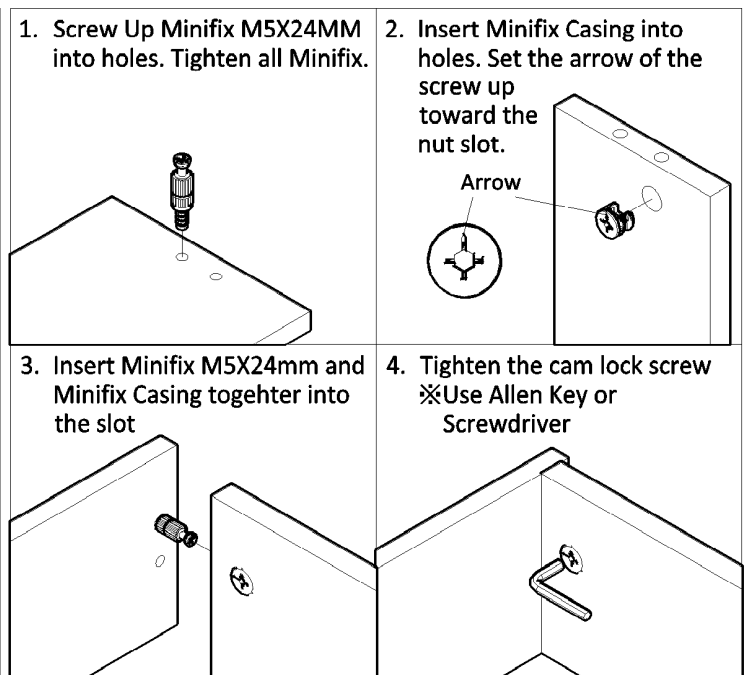
Assemble screws



Assemble Wood Dowels



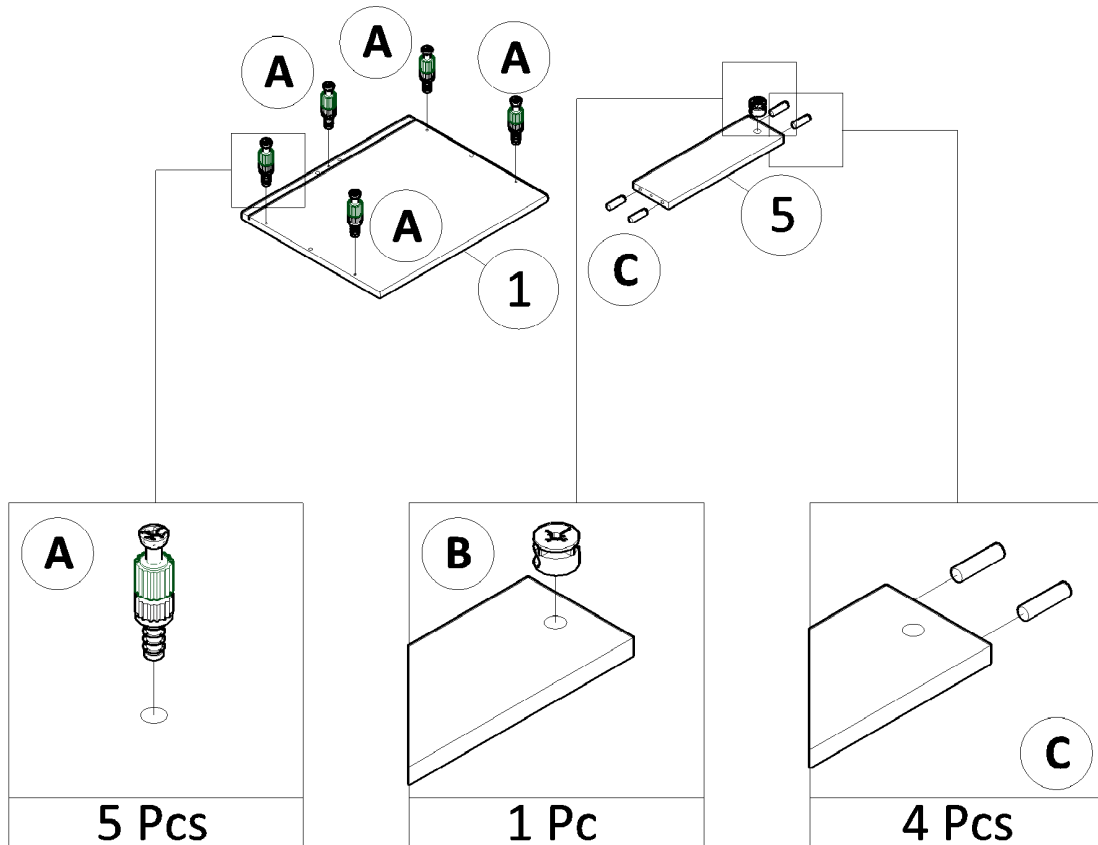
Assemble Minifix



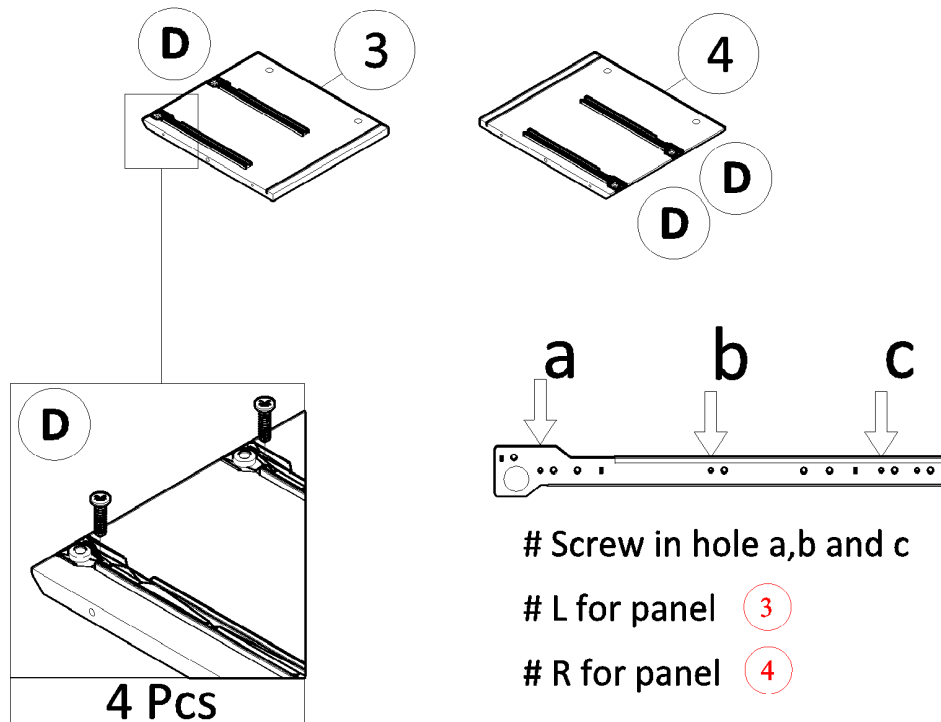
Assembly Step

Failure to follow these directions could cause poor strength or stability.
Insert screws loose to line up with slots then tighten up each screw.

1



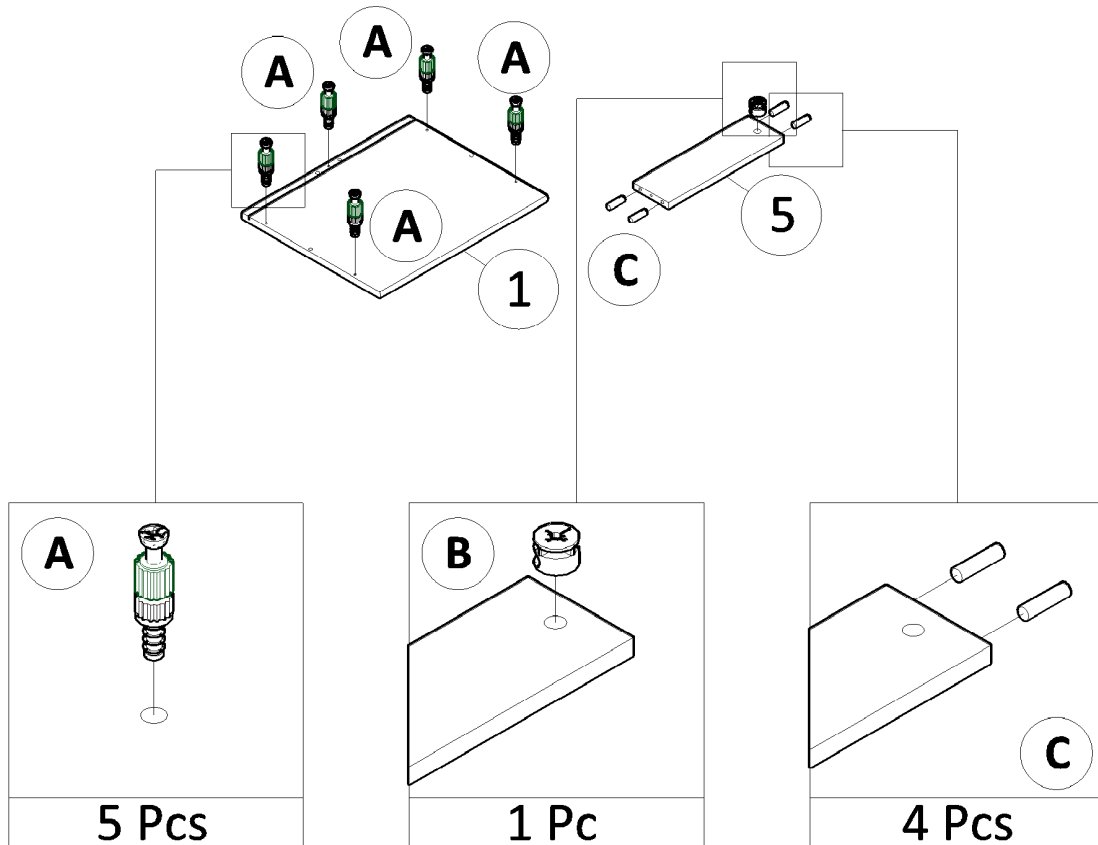
2



Assembly Step

Failure to follow these directions could cause poor strength or stability.
Insert screws loose to line up with slots then tighten up each screw.

1



2

