





Read this instruction carefully. See hardware and furniture part list for guidance. Be sure all parts are complete, before you assemble. Place all wooden furniture parts on a clean and flat soft surface to prevent from being scratched. Follow the figure to start assembling.

CAUTIONS : 1. Do not FULLY - TIGHTEN the nut or nut bolt until all nut or bolt is ready assembled.
 2. Do not OVER - TIGHTEN the nut or bolt to avoid causing damages to the thread.
 3. Keep all hardware parts out of reach of children.

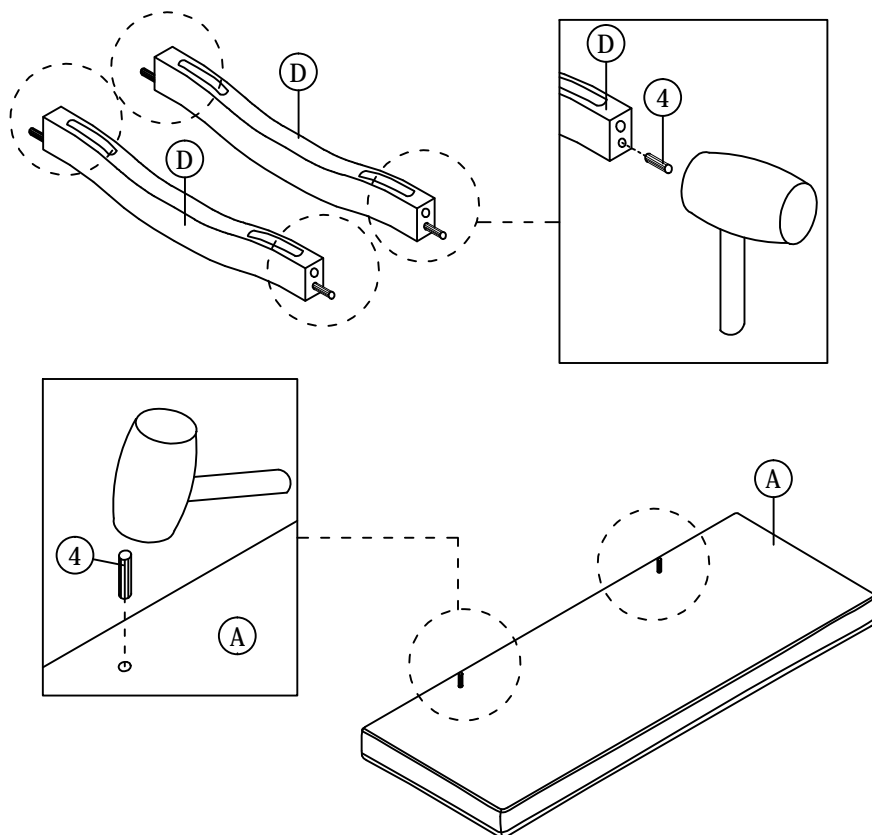
NOTE : THE LIST AND QUANTITY SHOWN ARE FOR 1 UNIT ASSEMBLY.

Tool needed : Screwdriver & Rubber Mallet (not provided).

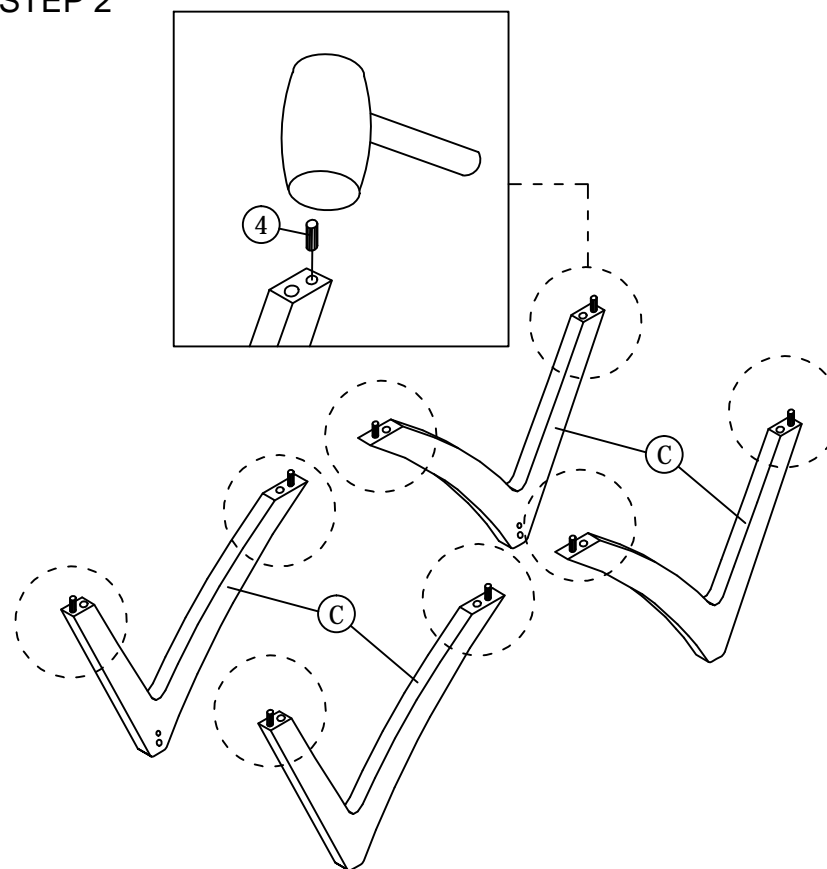
PART LIST			
ITEM	DESCRIPTION	BOX	QTY
A	BENCH	1	1 PC
B	WOOD FRAME	1	1 PC
C	LEG	1	4 PCS
D	LEG SUPPORT WOOD	1	2 PCS

HARDWARE LIST (BOX : 1)		
ITEM	DESCRIPTION	QTY
1	JCBC BOLT M6 x 40mm 	12 PCS
2	M6 SPRING WASHER 	12 PCS
3	WOOD SCREW M4 x 38mm 	8 PCS
4	WOOD DOWEL M8 x 30MM 	14 PCS
5	M4 ALLEN KEY (BALL SHAPE) 	1 PC

STEP 1



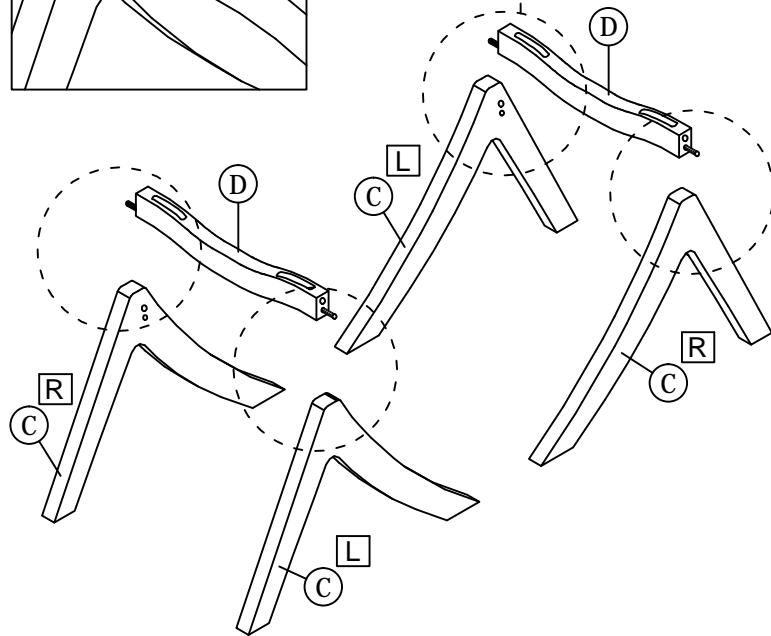
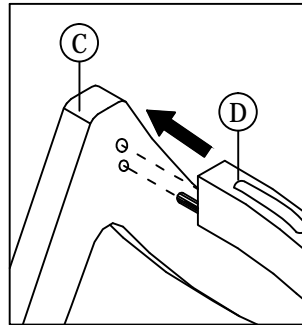
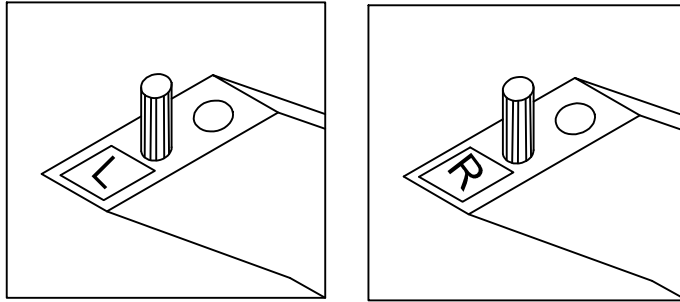
STEP 2



ASSEMBLY INSTRUCTIONS

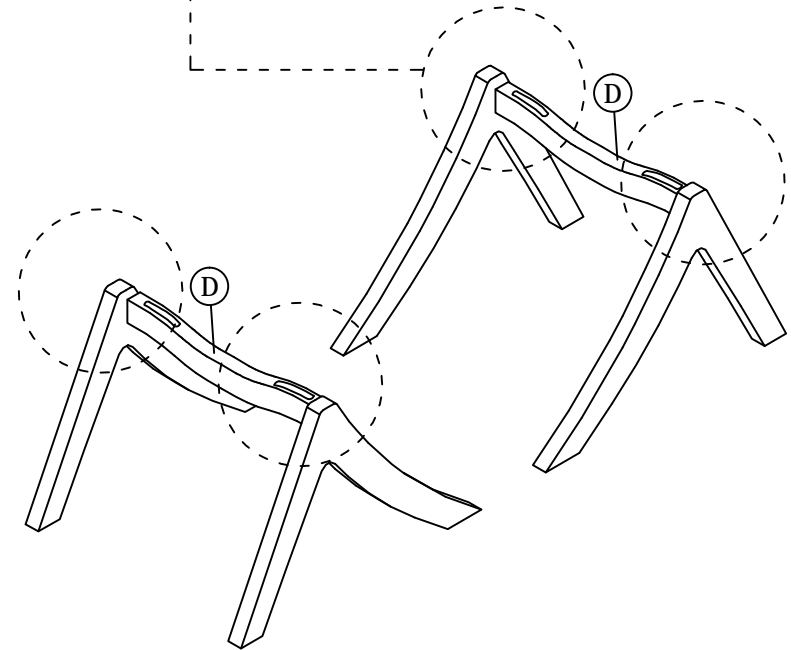
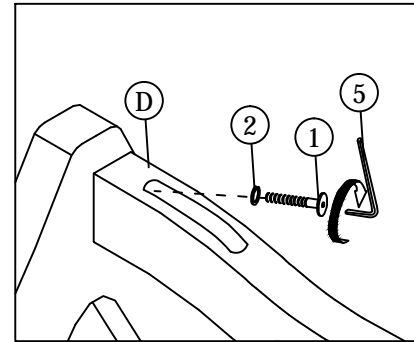
STEP 3

FOLLOW STICKER ASSEMBLY



STEP 4

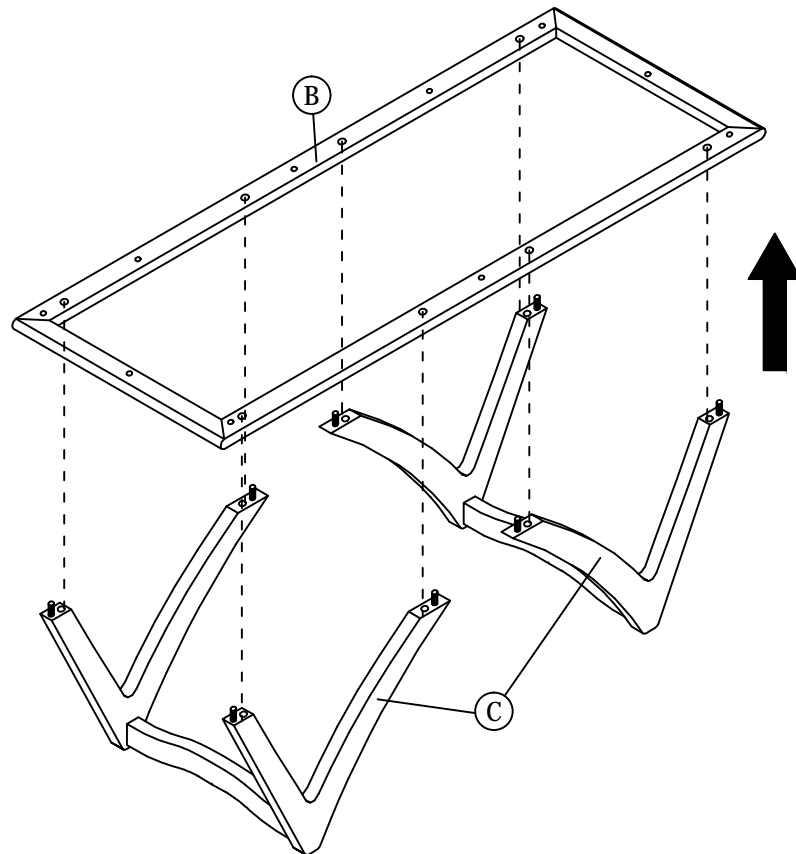
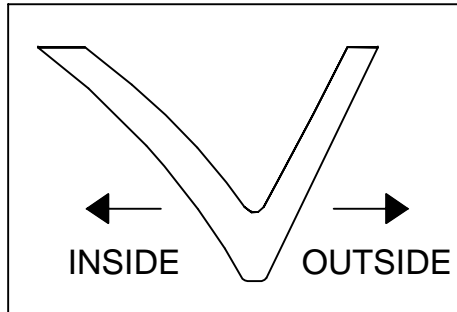
Don't screw tied



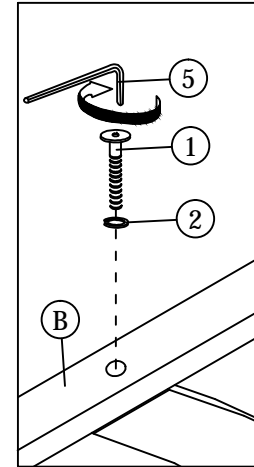
ASSEMBLY INSTRUCTIONS

STEP 5

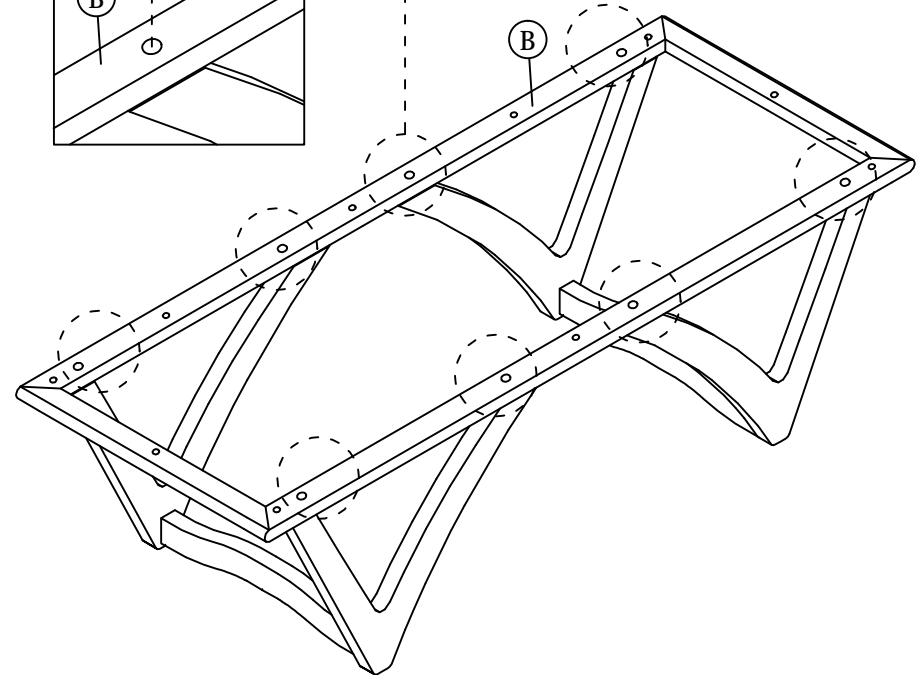
LEG (C) FRONT VIEW



STEP 6

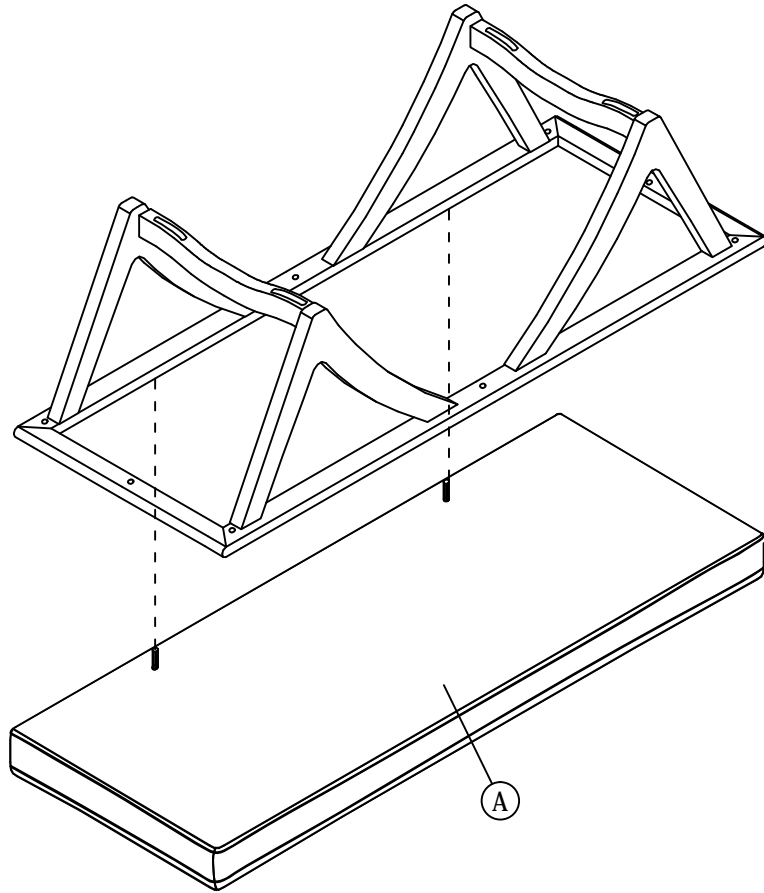


Finish step 6,
Please screw tied
the STEP 4, Bolt.

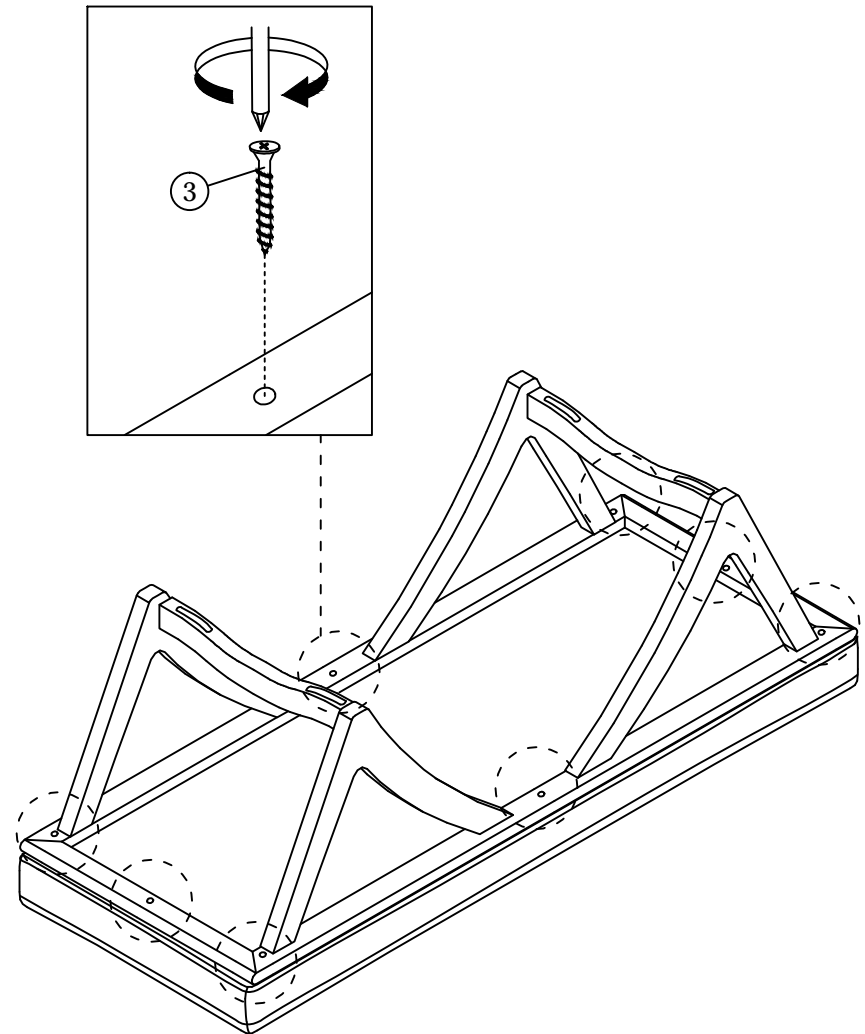


ASSEMBLY INSTRUCTIONS

STEP 7



STEP 8



STEP 9

