

Read this instruction carefully. See hardware and furniture part list for guidance. Be sure all parts are complete, before you assemble. Place all wooden furniture parts on a clean and flat soft surface to prevent from being scratched. Follow the figure to start assembling.

**CAUTIONS :** 1. Do not FULLY - TIGHTEN the nut or nut bolt until all nut or bolt is ready assembled.  
 2. Do not OVER - TIGHTEN the nut or bolt to avoid causing damages to the thread.  
 3. Keep all hardware parts out of reach of children.

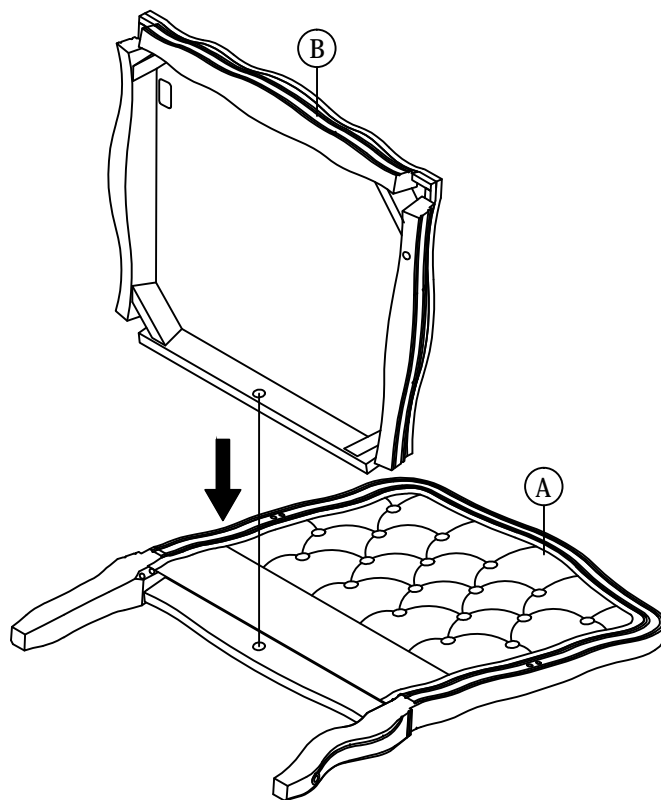
NOTE : THE LIST AND QUANTITY SHOWN ARE FOR 1 UNIT ASSEMBLY.

Tool needed : Screwdriver (not provided).

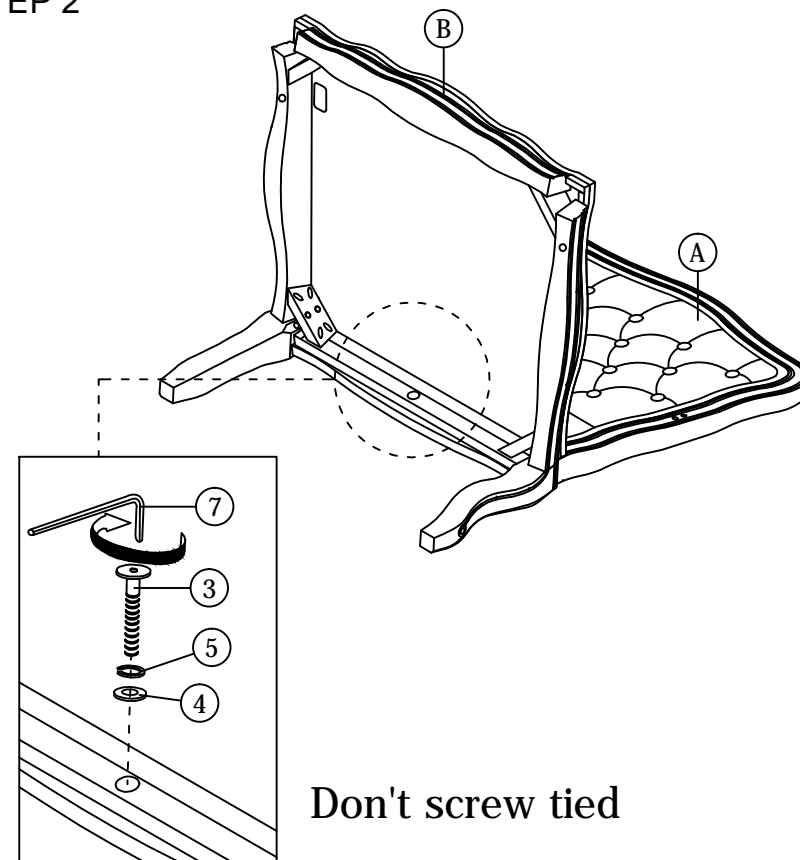
PART LIST			
ITEM	DESCRIPTION	BOX	QTY
A	BACK	1	1 PC
B	SEAT	1	1 PC
C	FRONT LEG	1	2 PCS
D	ARM	1	2 PCS
E	CUSHION	1	1PC
F	PILLOW	1	1PC

HARDWARE LIST (BOX : 1)			
ITEM	DESCRIPTION		QTY
1	JCBC Bolt M6 x 55mm		2 PCS
2	JCBC Bolt M6 x 45mm		2 PCS
3	JCBC Bolt M6 x 35mm		1 PC
4	M6 FLAT WASHER		9 PCS
5	M6 SPRING WASHER		9 PCS
6	WOOD SCREW M4 x 35mm		4 PCS
7	M4 ALLEN KEY (BALL SHAPE)		1 PC
8	WOOD DOWEL M8 x 30MM		2 PCS
9	WOOD BUTTON DIA 13.5MM		2 PCS
10	JCBC BOLT M6 x 60mm		8 PCS

## STEP 1

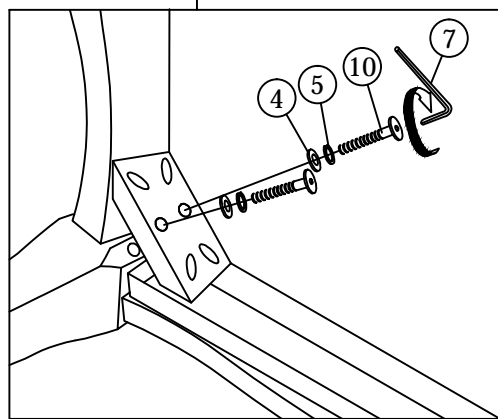
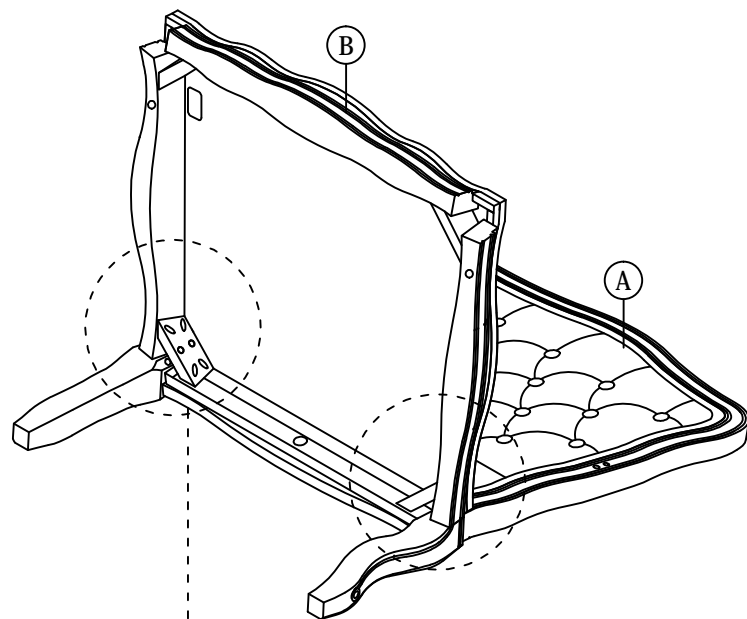


## STEP 2



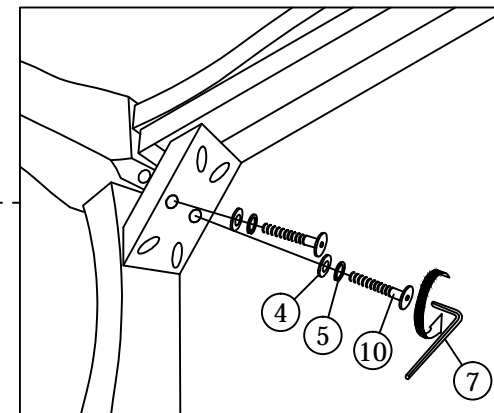
# ASSEMBLY INSTRUCTIONS

## STEP 3

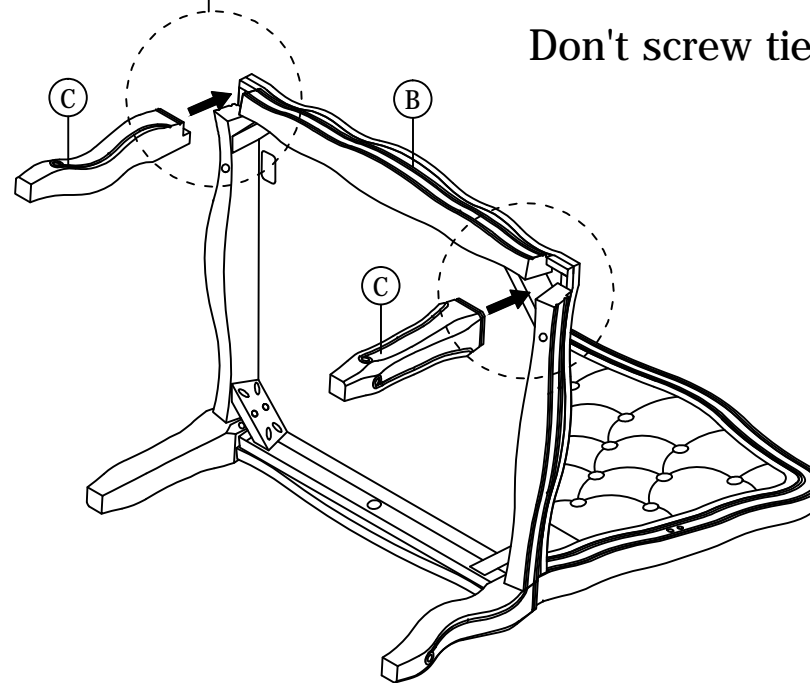


Don't screw tied

## STEP 4

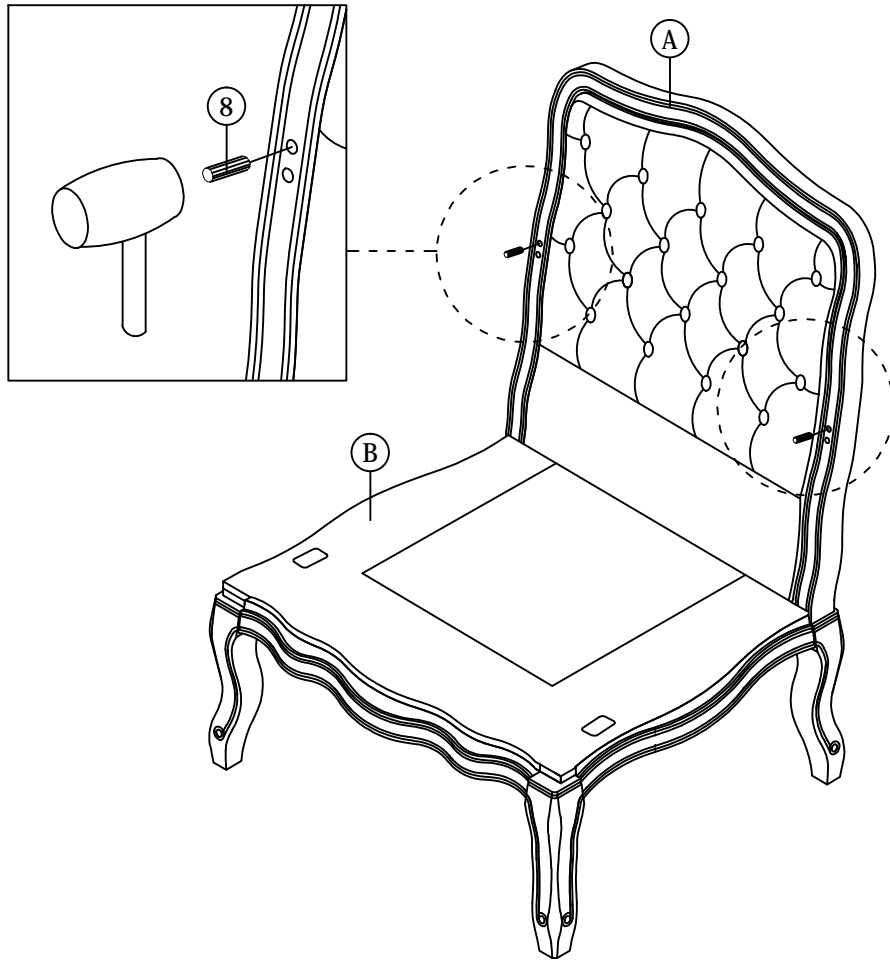


Don't screw tied

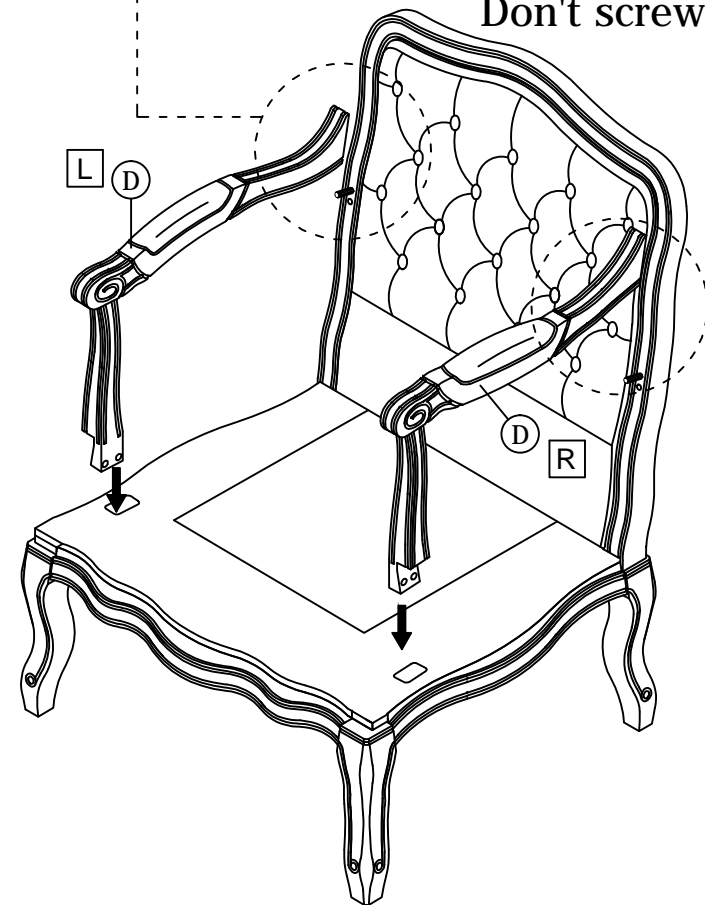
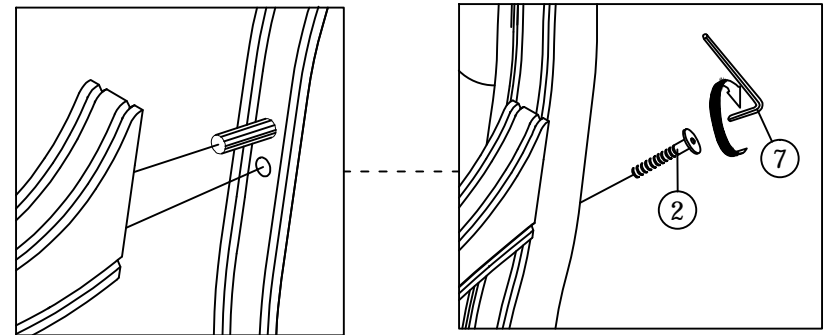


# ASSEMBLY INSTRUCTIONS

## STEP 5

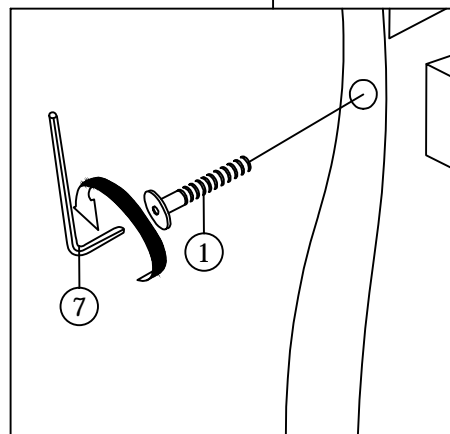
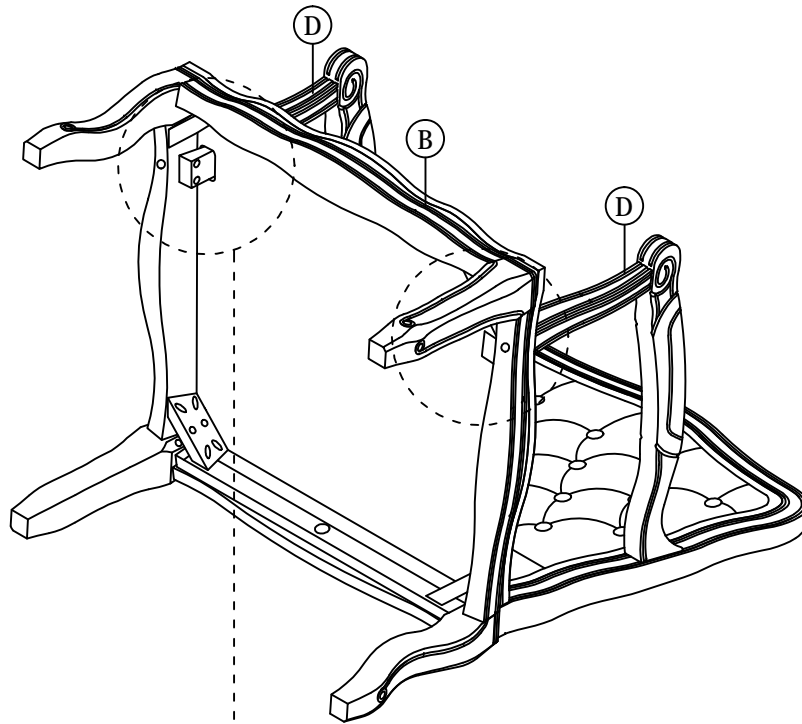


## STEP 6



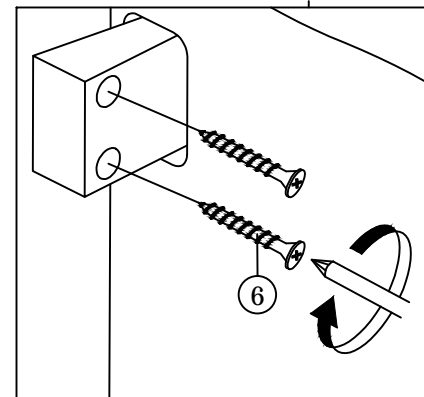
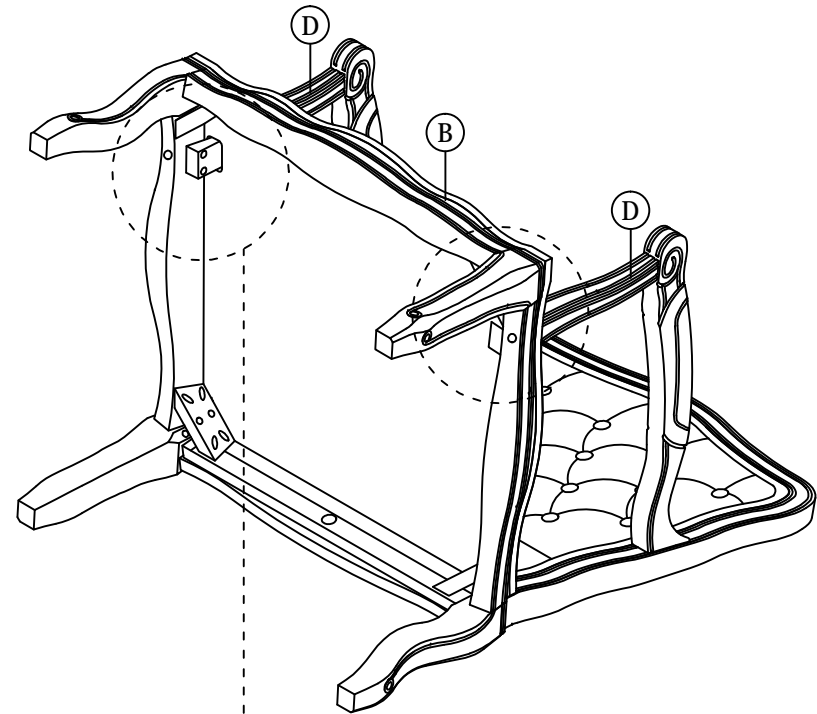
# ASSEMBLY INSTRUCTIONS

## STEP 7



Don't screw tied

## STEP 8

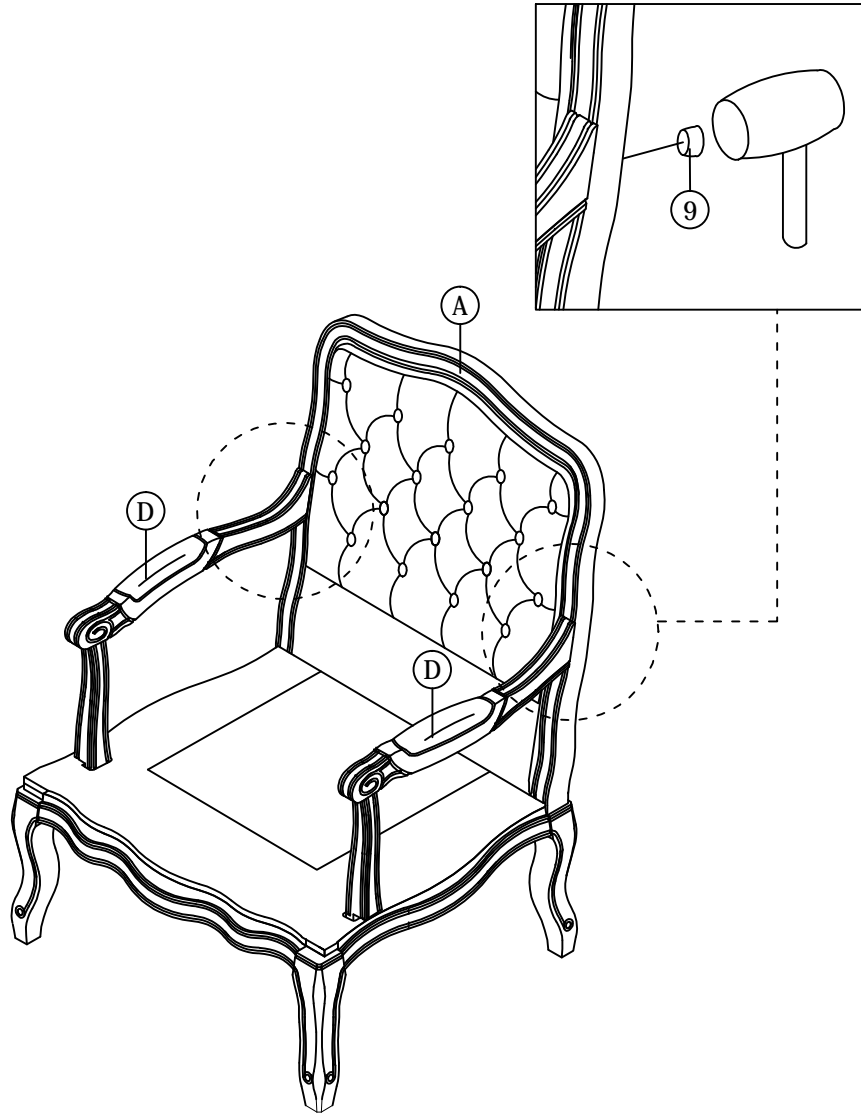


Finish step 8,  
Please screw tied  
the STEP 2, STEP 3,  
STEP 4, STEP 6,  
STEP 7, Bolt.

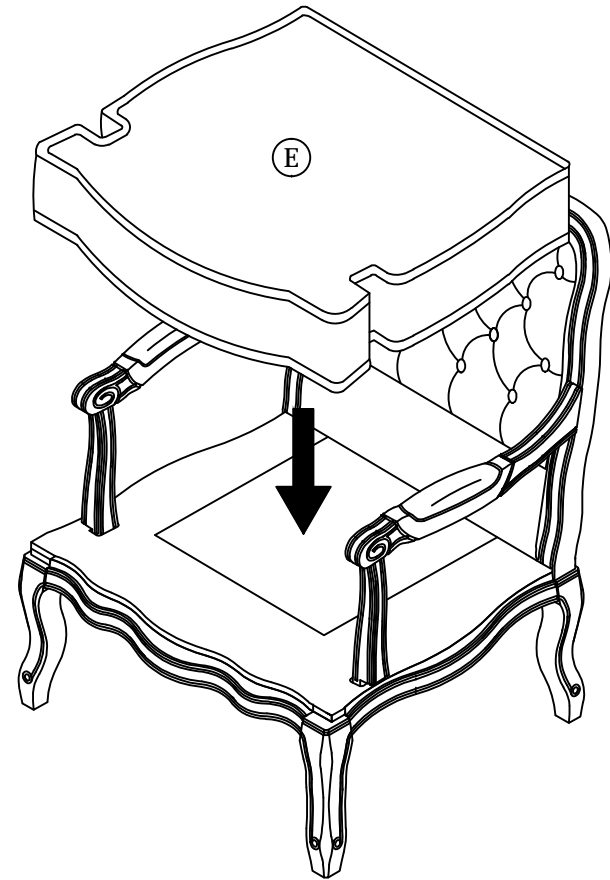
# ASSEMBLY INSTRUCTIONS

5 OF 6

STEP 9



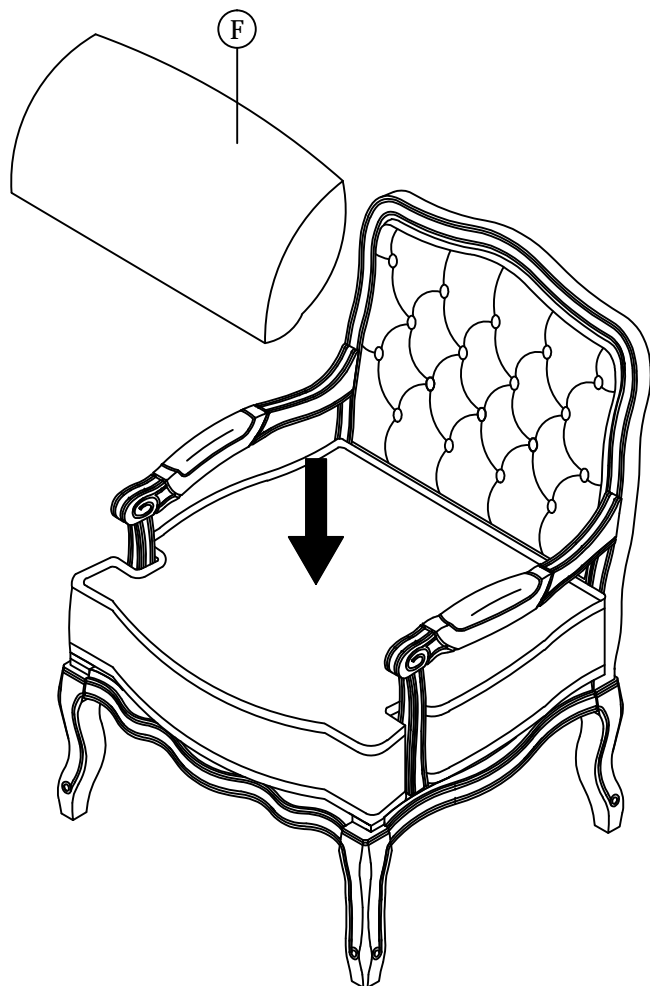
STEP 10



# ASSEMBLY INSTRUCTIONS

6 OF 6

STEP 11



STEP 12

