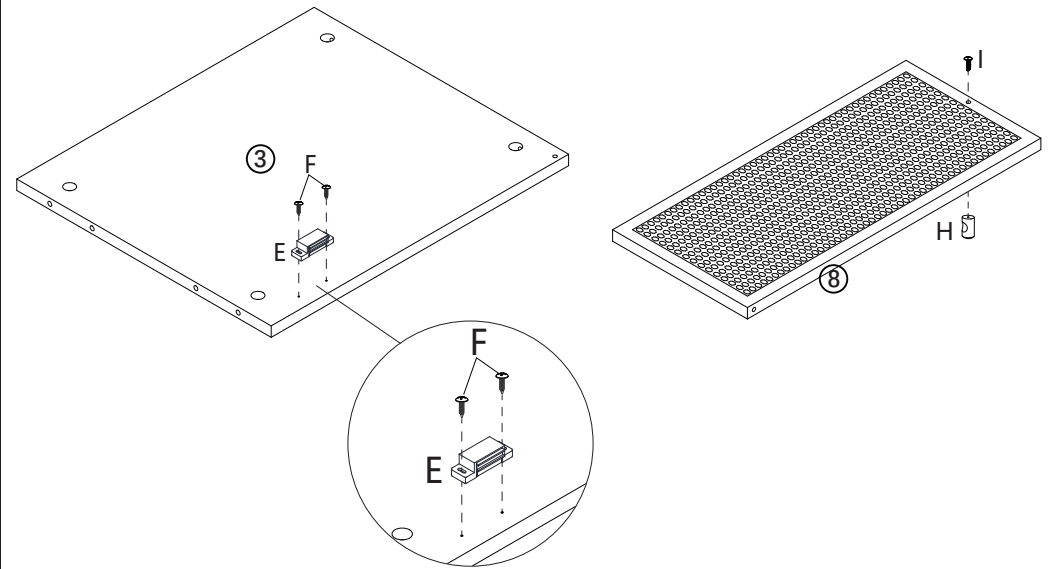


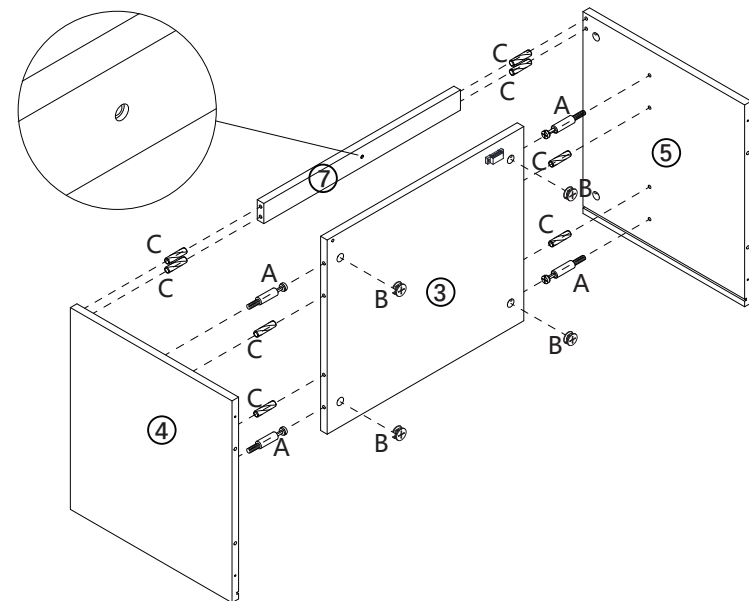
1 Secure the catch (E) using screws (F) on panel 3, use the pre-drilled holes for guidance. Attach the door handles (H) using screws (I).



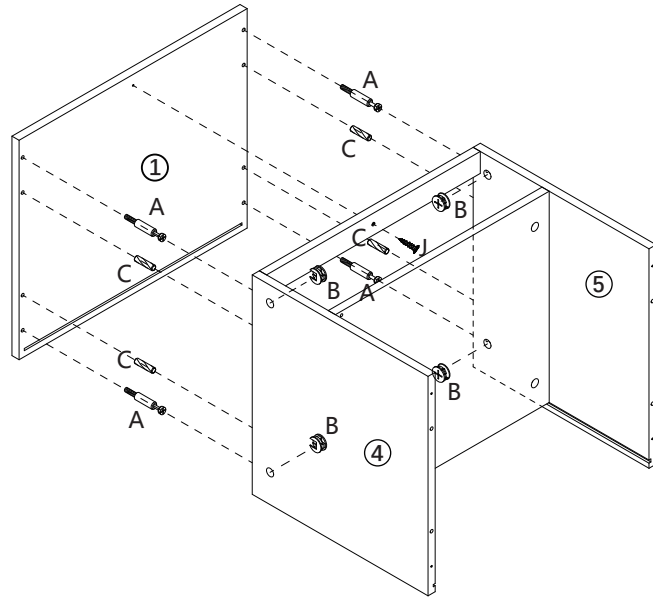
A		8PCS
B		8PCS
C		16PCS
D		4PCS
E		1PCS
F		2PCS
G		2PCS
H		1PCS
I		1PCS
J		1PCS
K		12PCS

L		4PCS
M		4PCS
N		1PCS

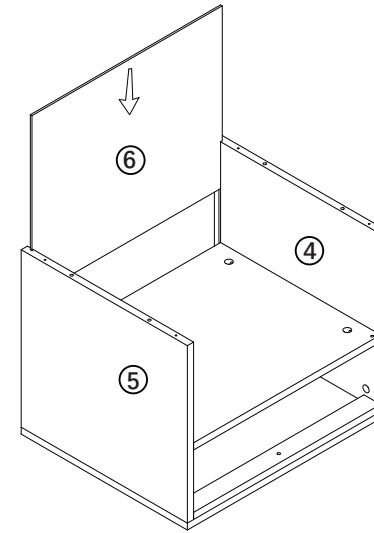
2 Attach piece 4 & 5 to piece 3 & 7 using wooden dowels (C), cam dowels (A) and cam locks (B).



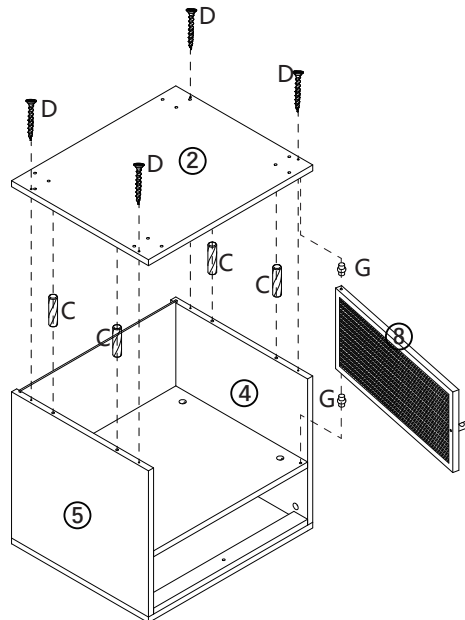
3 Attach piece 1 to the unit using screw (J) wooden dowels (C), cam dowels (A) and cam locks (B).



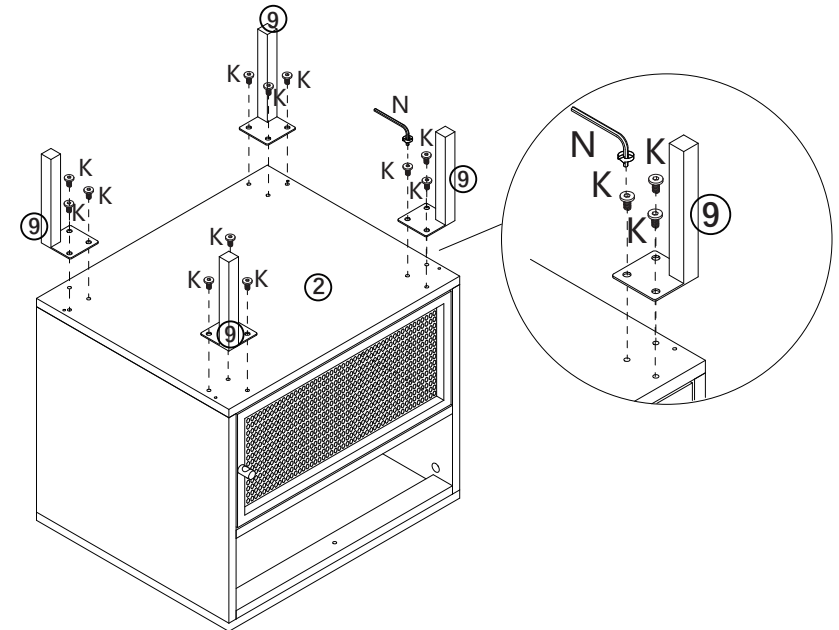
4 Turn the unit upside down, slot in piece 6 to the built-in ridges.



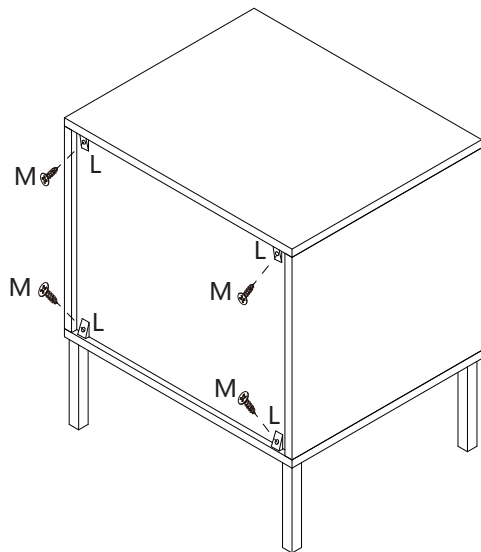
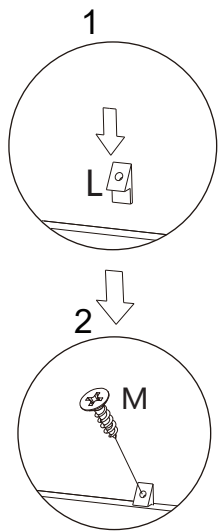
5 Attach piece 2 to the unit using wooden dowels (C), screws (D). Connect door 8 using bar hinges (G).



6 Attach 4 x Leg 9 to piece 2 using screw (K) with tools (N).



7 Attach panel stiffner (L) on piece 6 using screw (M).



8 The unit should now be assembled and ready to use.

