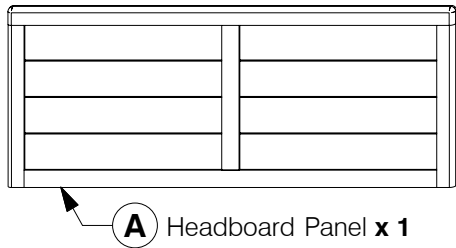


Full / Queen Headboard

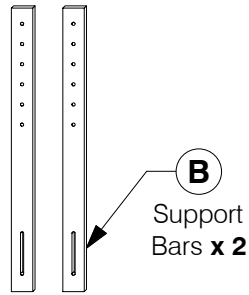
Assembly Instructions

0818

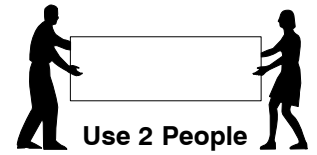
1 Parts List



A Headboard Panel x 1



B Support Bars x 2



2 Hardware List



1 M6 x 35mm JCB x 4



2 Spring Washer x 4



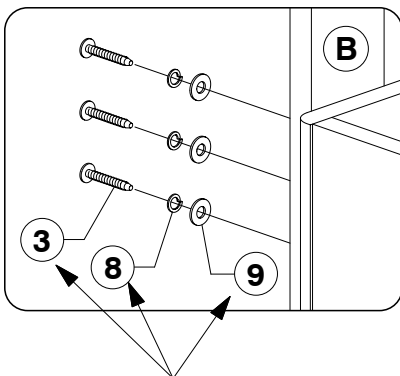
3 Flat Washer x 4



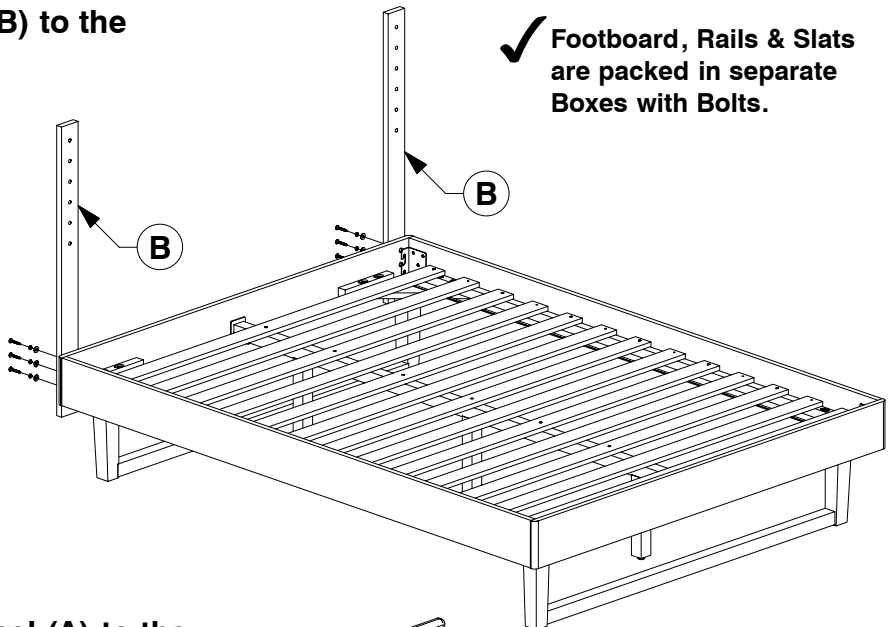
4 Allen Key x 1

Note: Do not assemble using power tools. This can cause the bolts to be overtightened

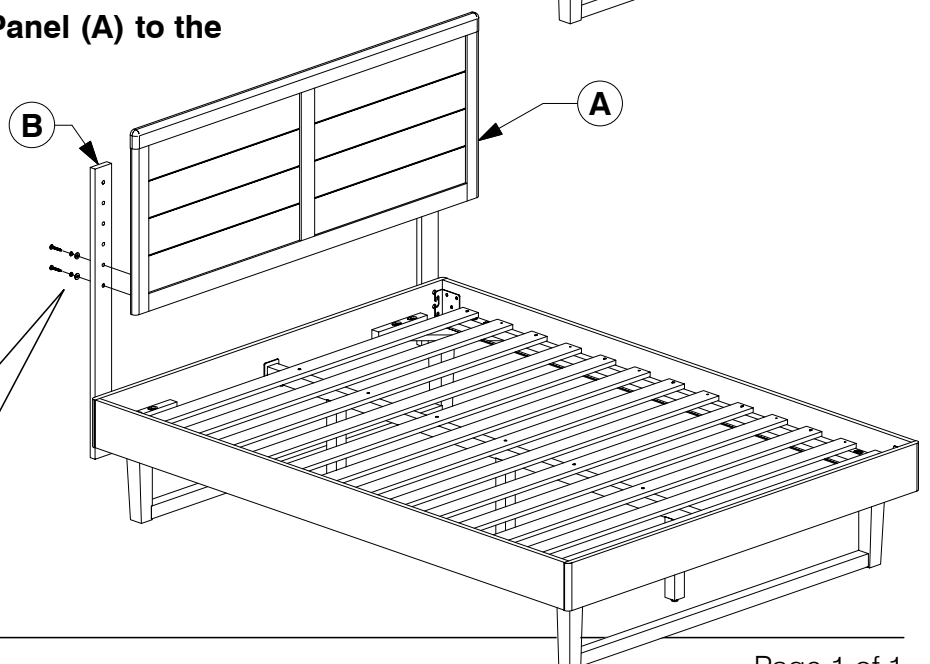
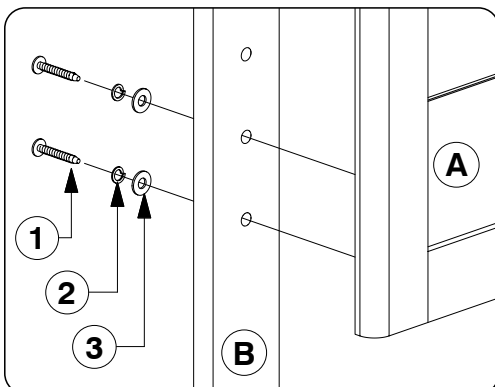
3 Assemble the Support Bars (B) to the Headboard Panel.



Note: Bolts & Washers from Footboard, Rails & Slats Box.



4 Assemble the Headboard Panel (A) to the Support Bars (B).

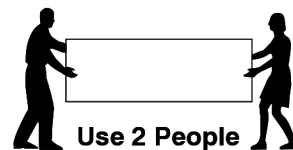
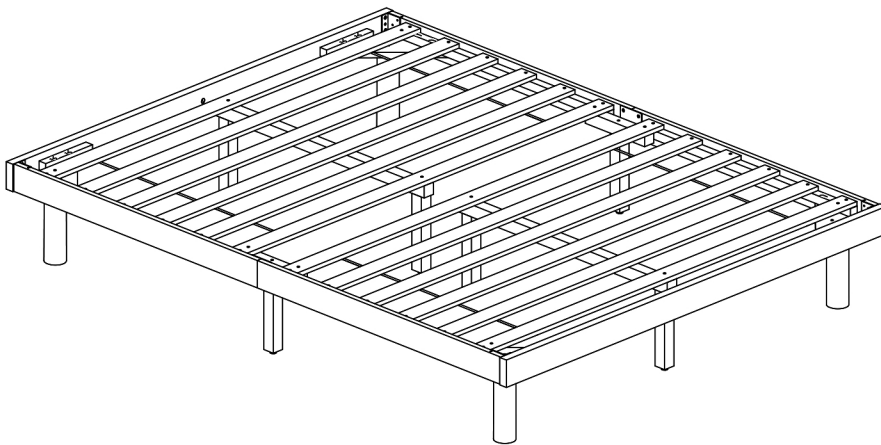


0082 S Full Bed

Assembly Instructions

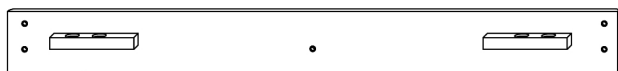
WI-0521

1 Assembled View



Note: Do not assemble using power tools. This can cause the bolts to be overtightened

2 Parts List



A Head / Footboard Panel x 2



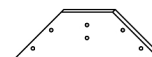
D

Post x 4



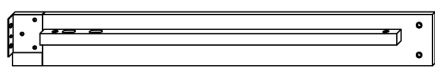
E

Support Leg x 6



F

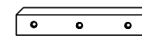
Support Panel x 4



B Side Rail (Left Hand) x 2



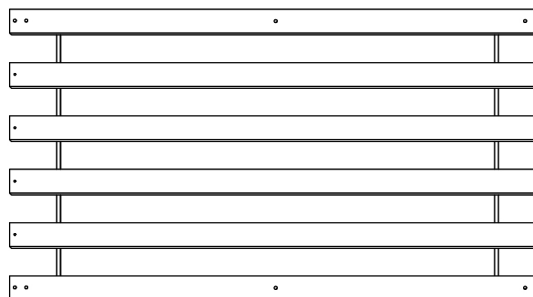
G Long Support x 2



H Support Bar x 2



C Side Rail (Right Hand) x 2



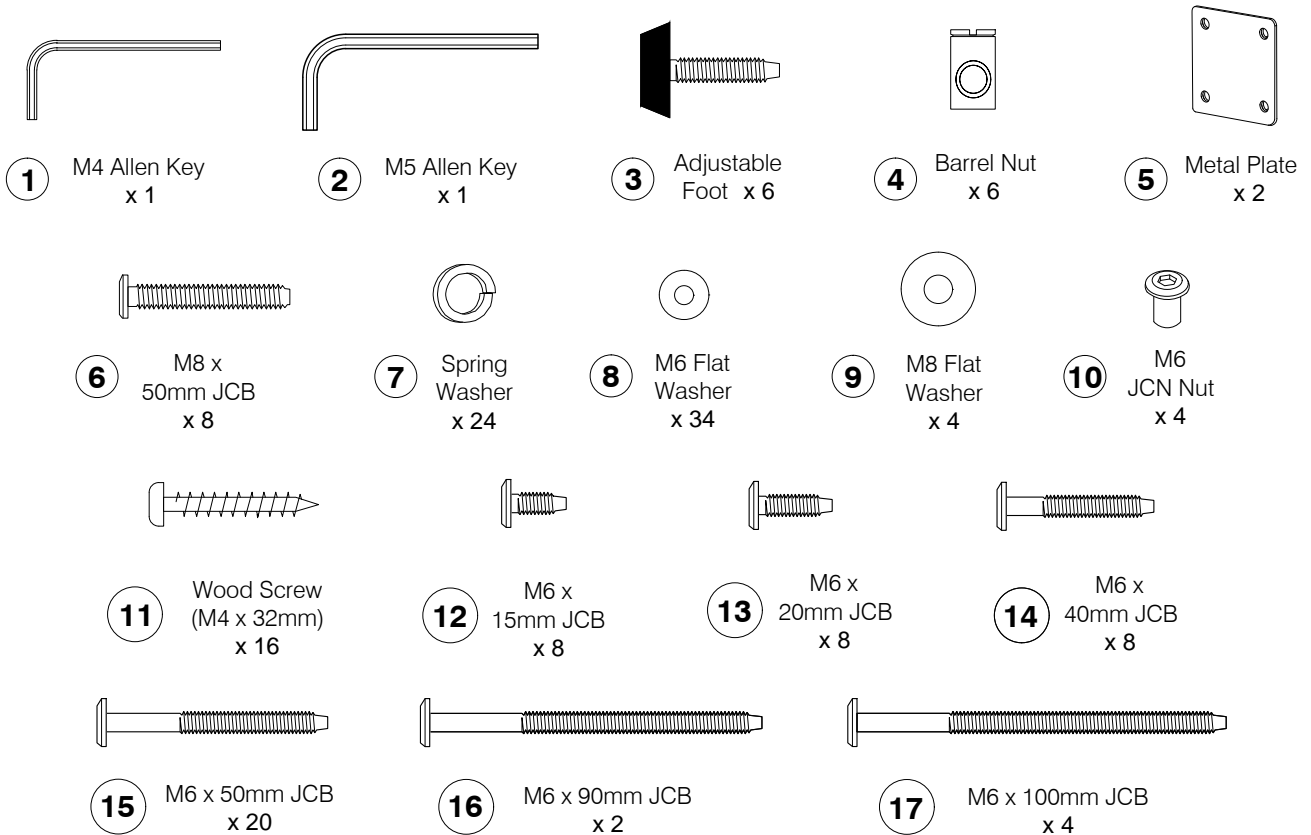
J Set of Bed Slats x 2

0082 S Full Bed

Assembly Instructions

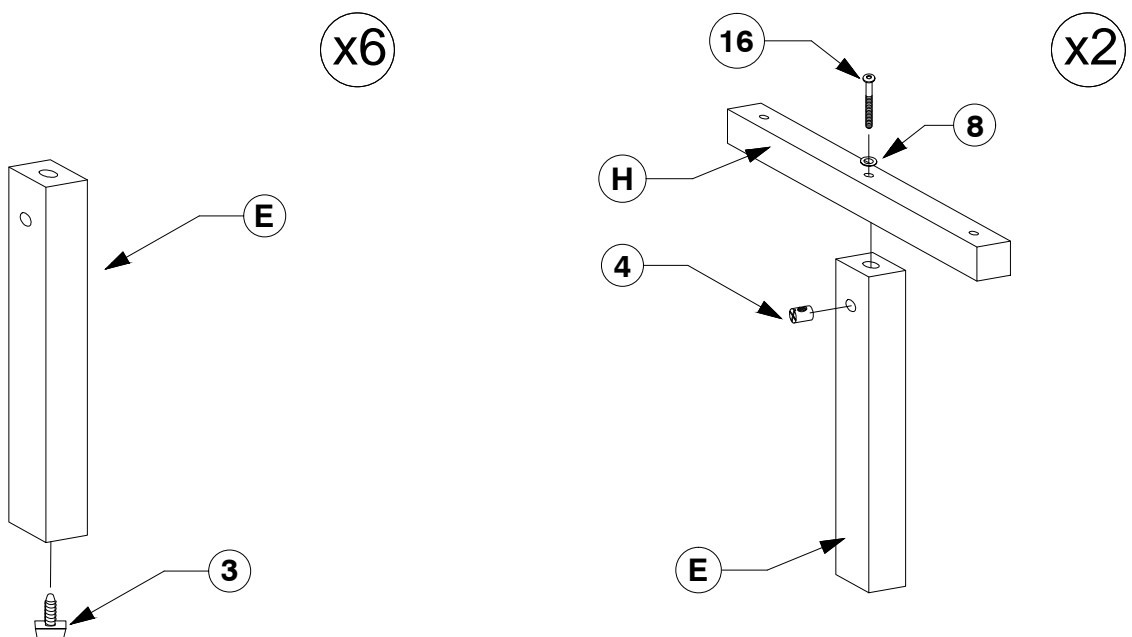
WI-0521

3 Hardware List



4 Fit the Adjustable foot to the bottom of the Support Leg (E).

5 Fit the Support Bar (H) to the Support Leg (E).



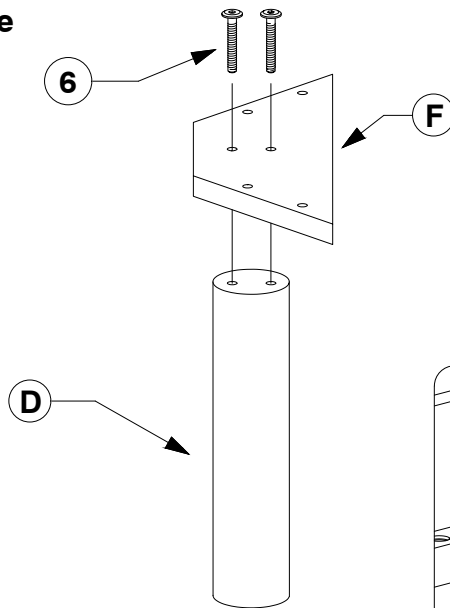
0082 S Full Bed

Assembly Instructions

WI-0521

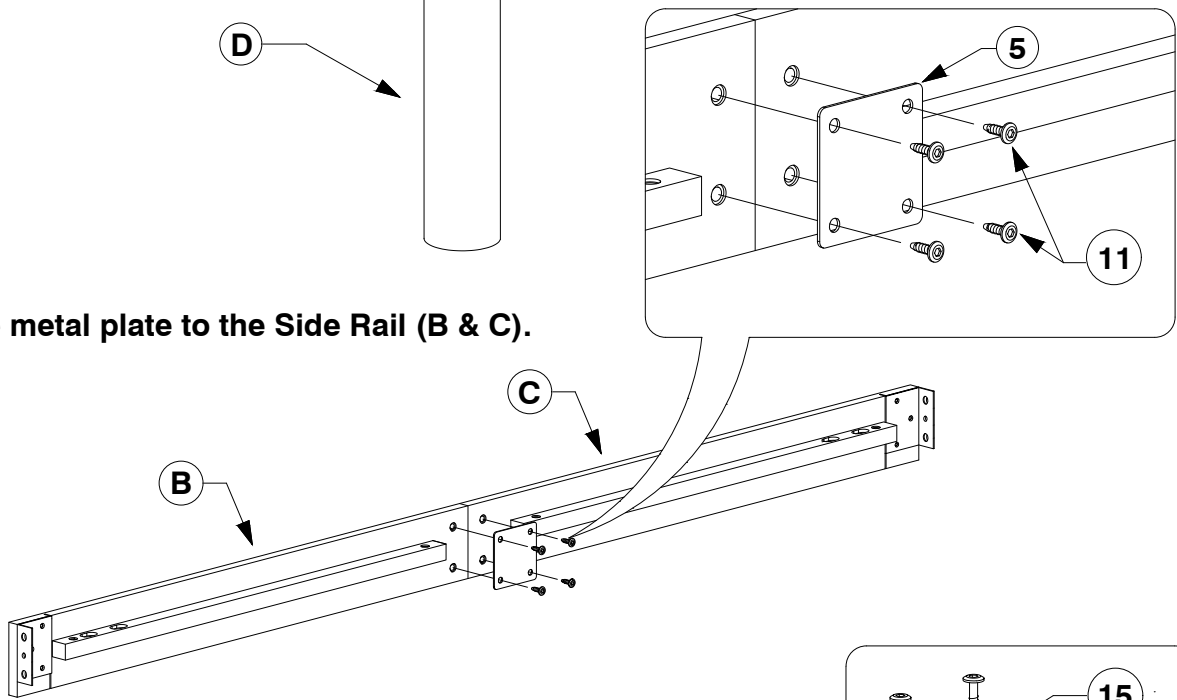
- 6** Fit the Post (D) to the Support Panel (F).

x4



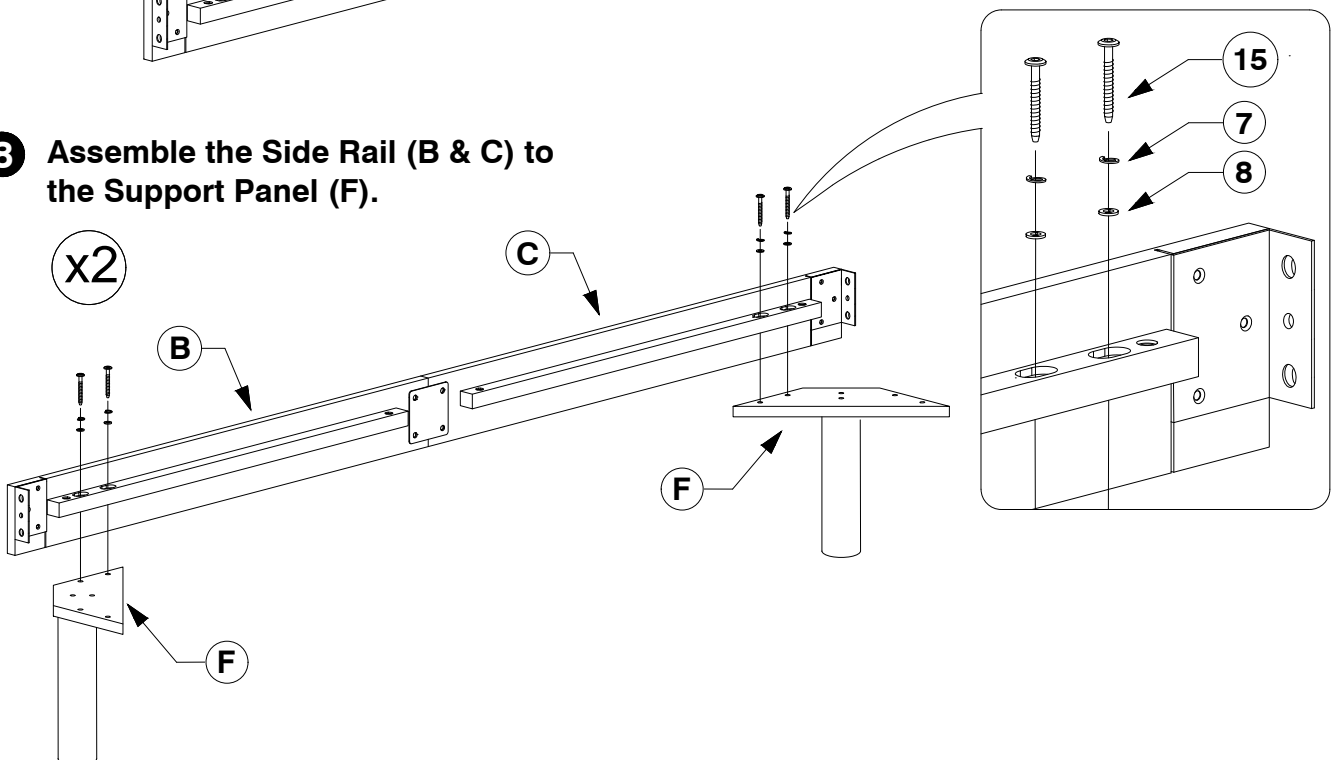
- 7** Fit the metal plate to the Side Rail (B & C).

x2



- 8** Assemble the Side Rail (B & C) to the Support Panel (F).

x2

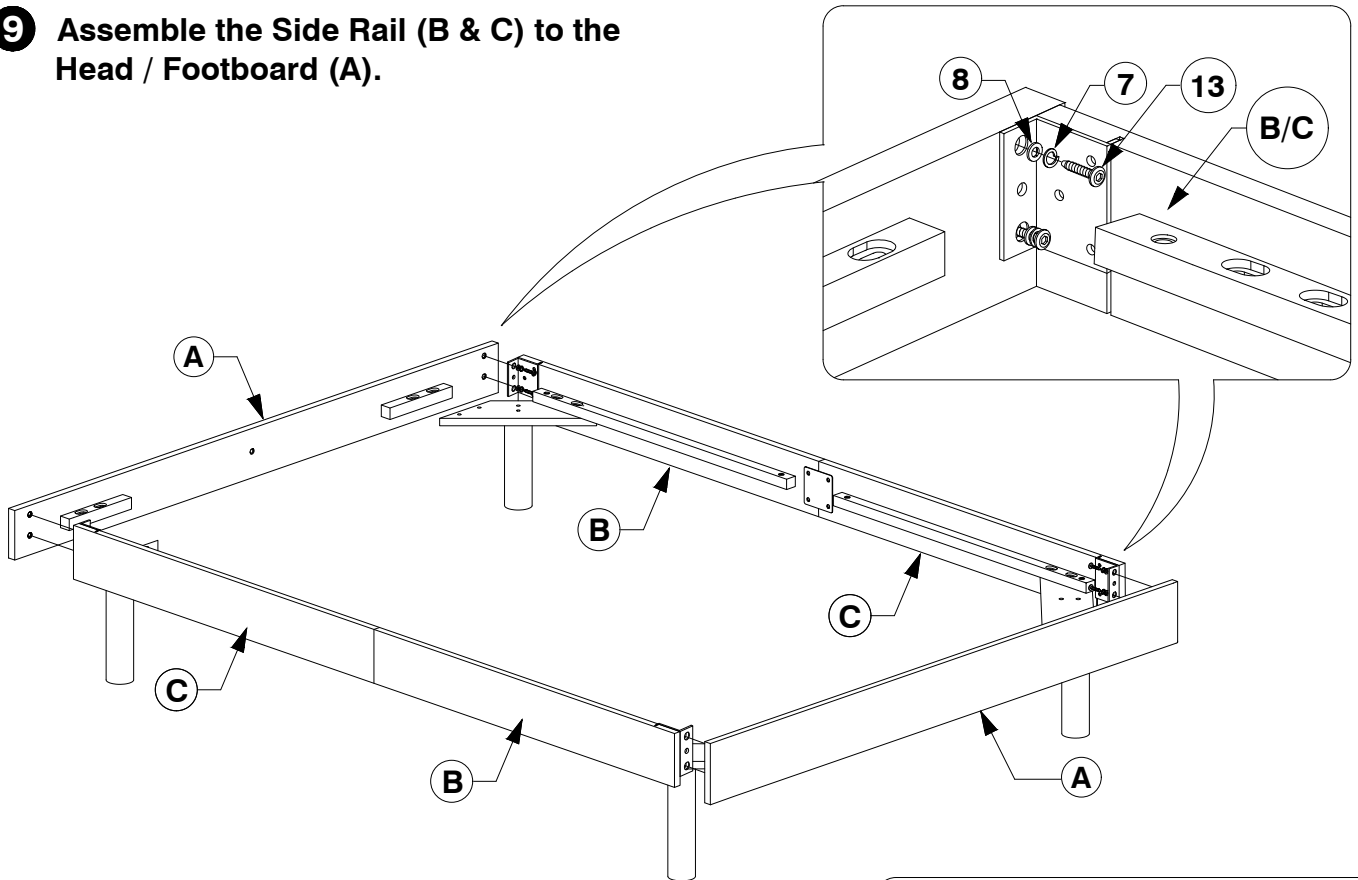


0082 S Full Bed

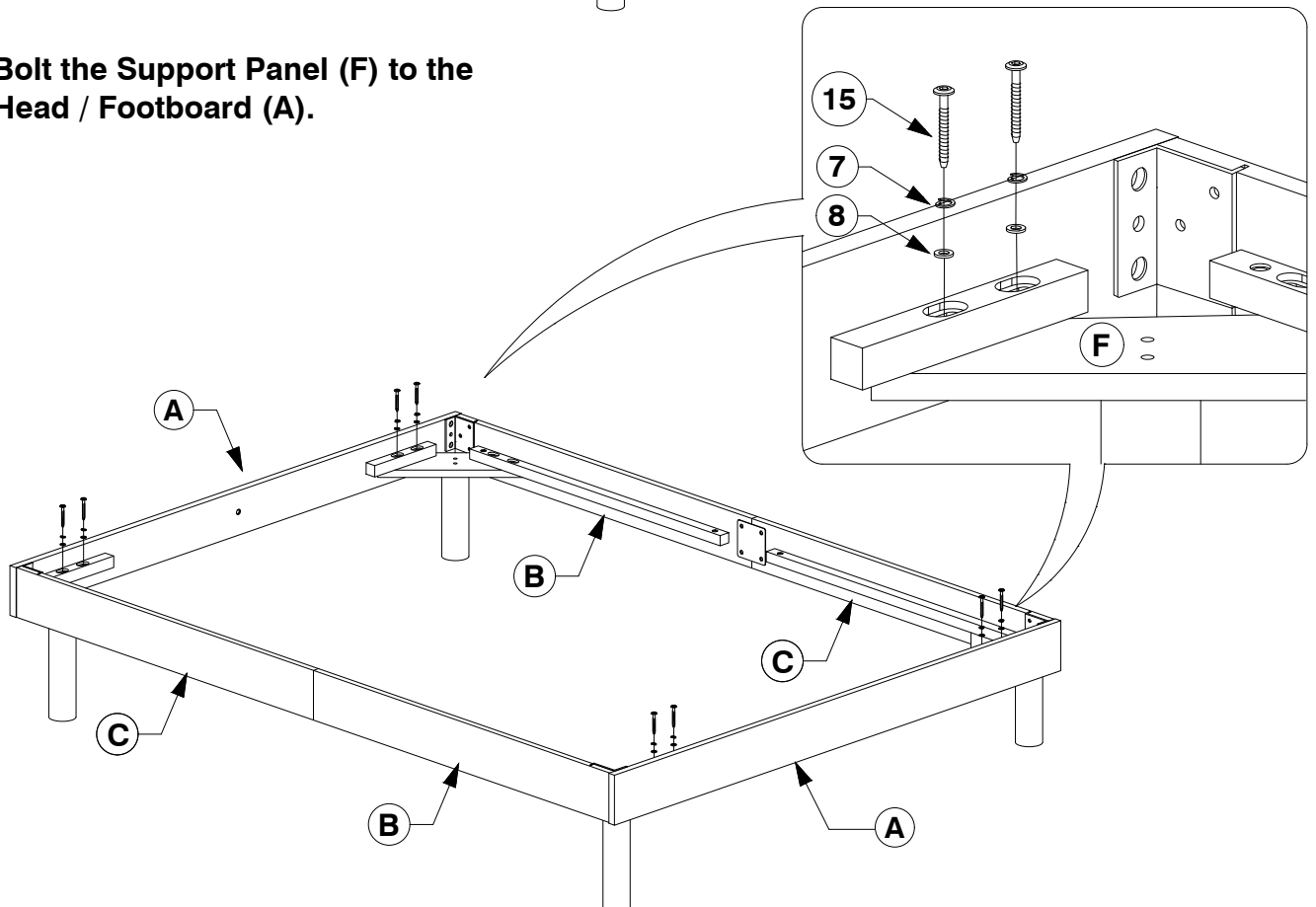
Assembly Instructions

WI-0521

- 9** Assemble the Side Rail (B & C) to the Head / Footboard (A).



- 10** Bolt the Support Panel (F) to the Head / Footboard (A).

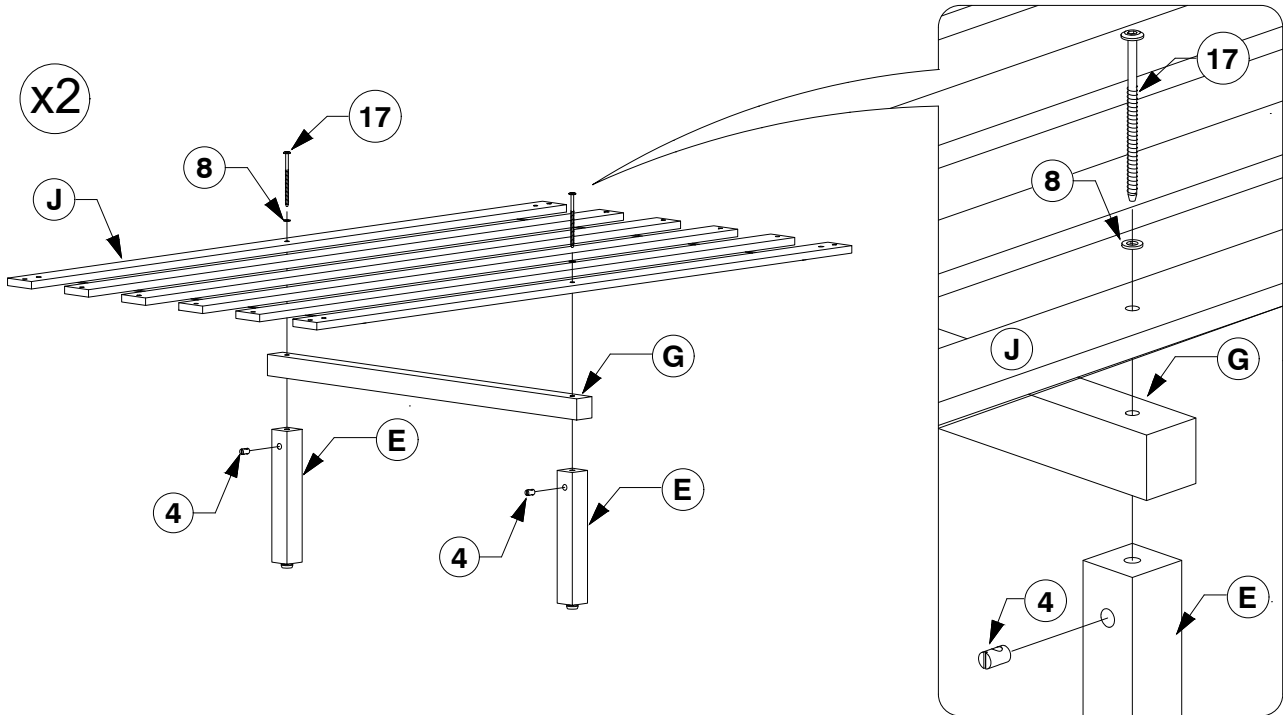


0082 S Full Bed

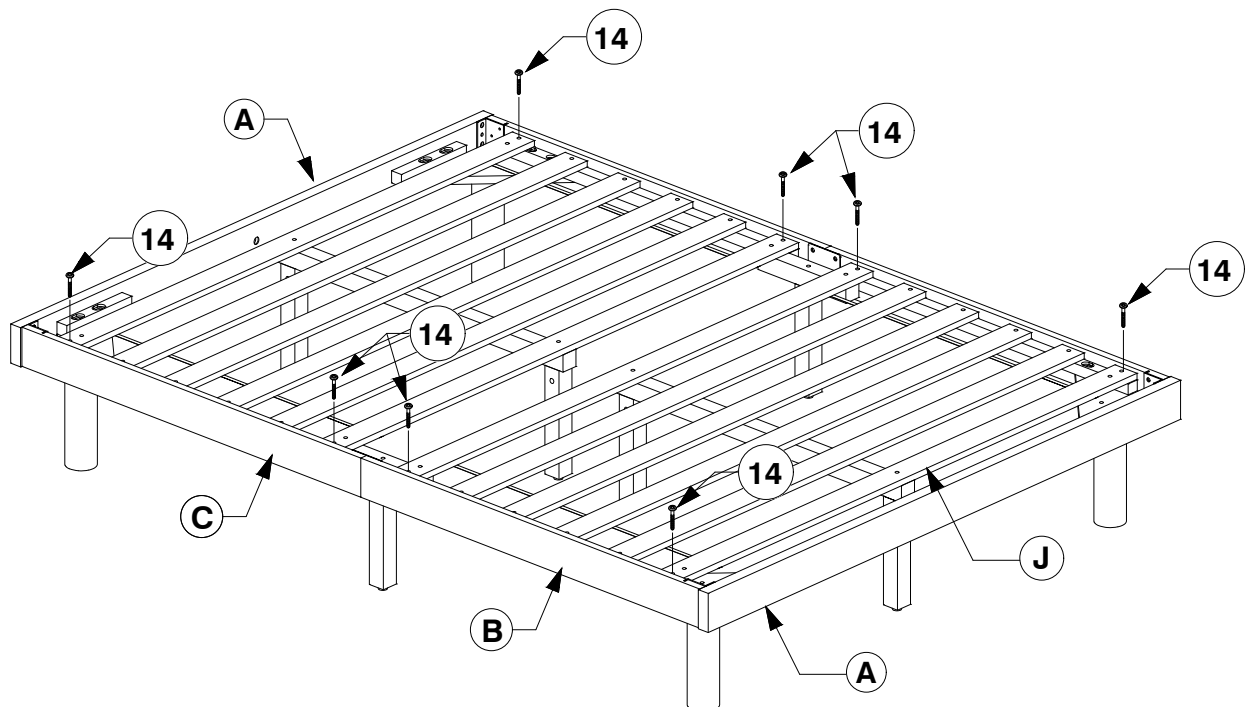
Assembly Instructions

WI-0521

- 11** Fix the Slats (J) to the Long Support (G) & Support Leg (E).



- 12** Bolt the Bed Slat (J) to the Side Rail (B & C).

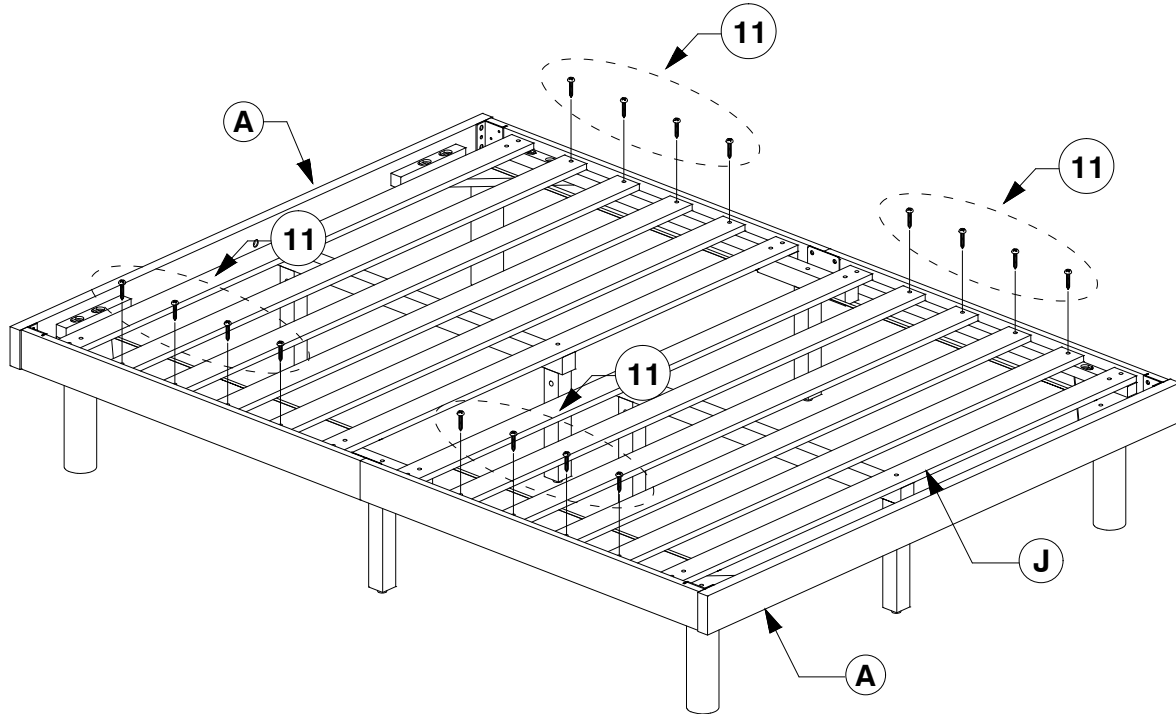


0082 S Full Bed

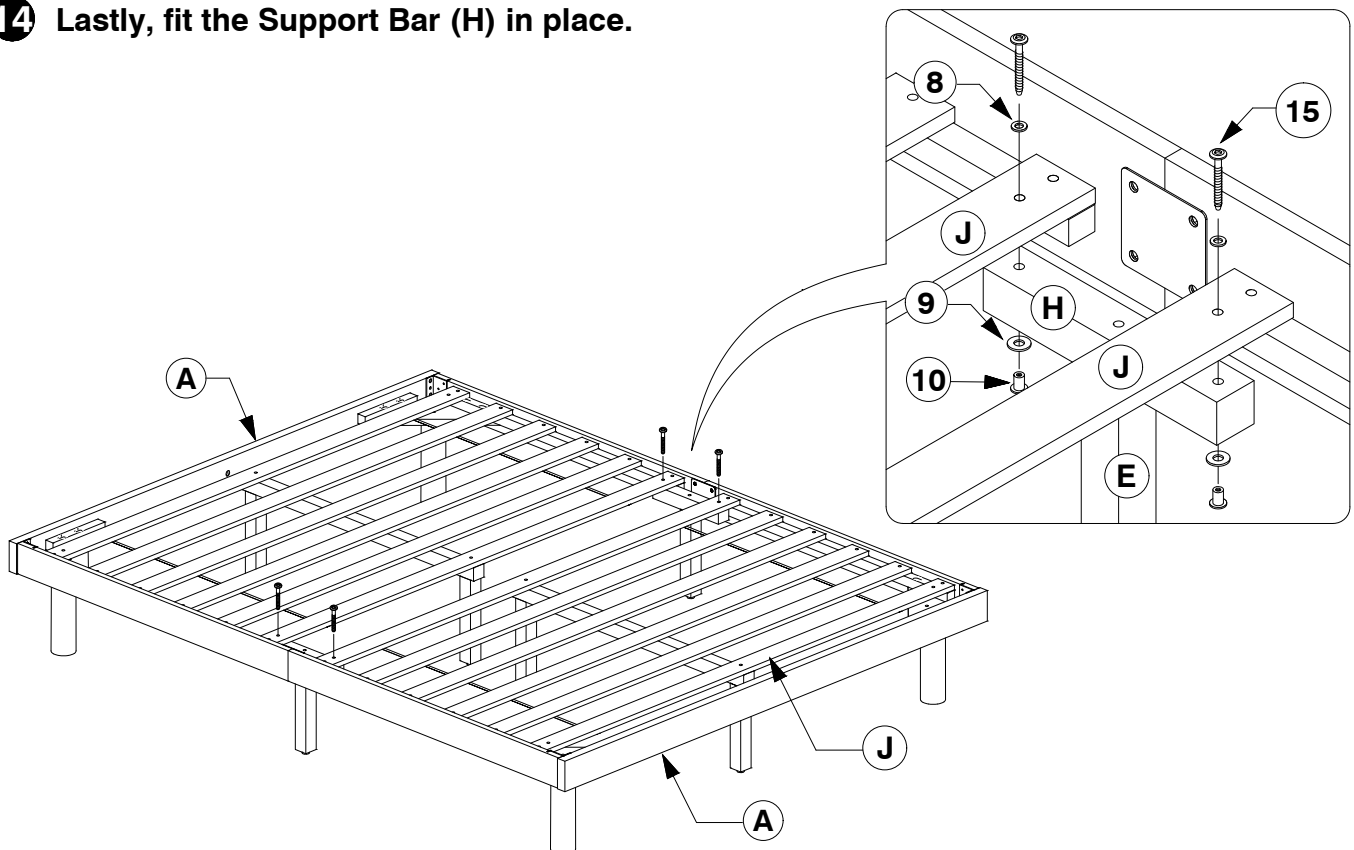
Assembly Instructions

WI-0521

- 13** Screw the Bed Slat (J) to the Side Rail (B & C).



- 14** Lastly, fit the Support Bar (H) in place.

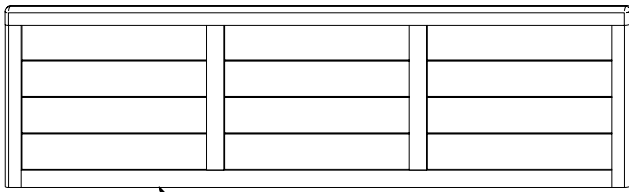


King Headboard

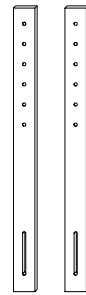
Assembly Instructions

0818

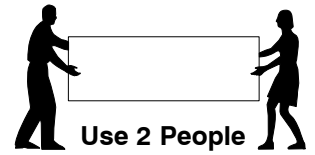
1 Parts List



A Headboard Panel x 1



B
Support Bars x 2



2 Hardware List



1 M6 x 35mm JCB
x 4



2 Spring Washer
x 4



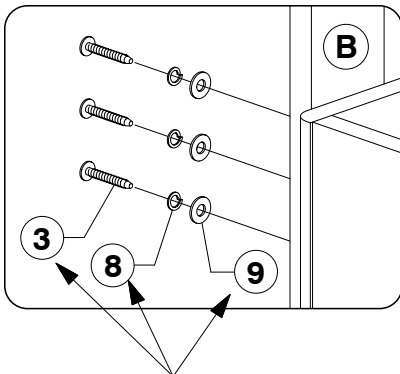
3 Flat Washer
x 4



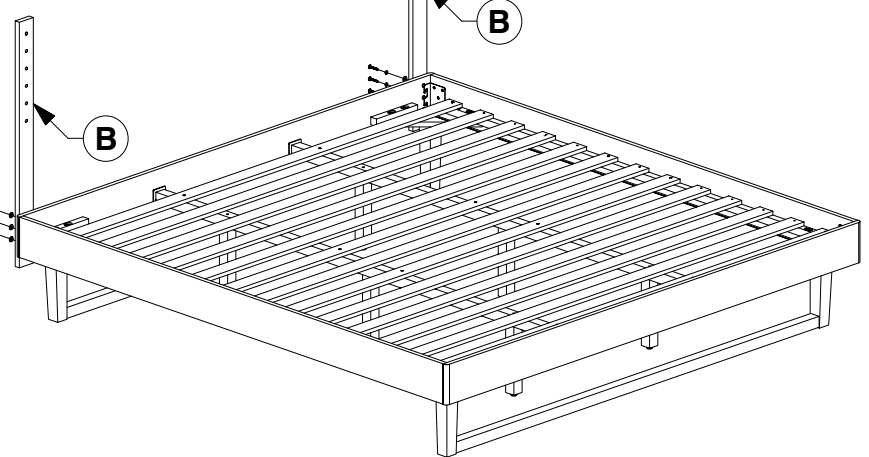
4 Allen Key
x 1

Note: Do not assemble using power tools. This can cause the bolts to be overtightened

3 Assemble the Support Bars (B) to the Headboard Panel.



Note: Bolts & Washers from Footboard, Rails & Slats Box.



4 Assemble the Headboard Panel (A) to the Support Bars (B).

