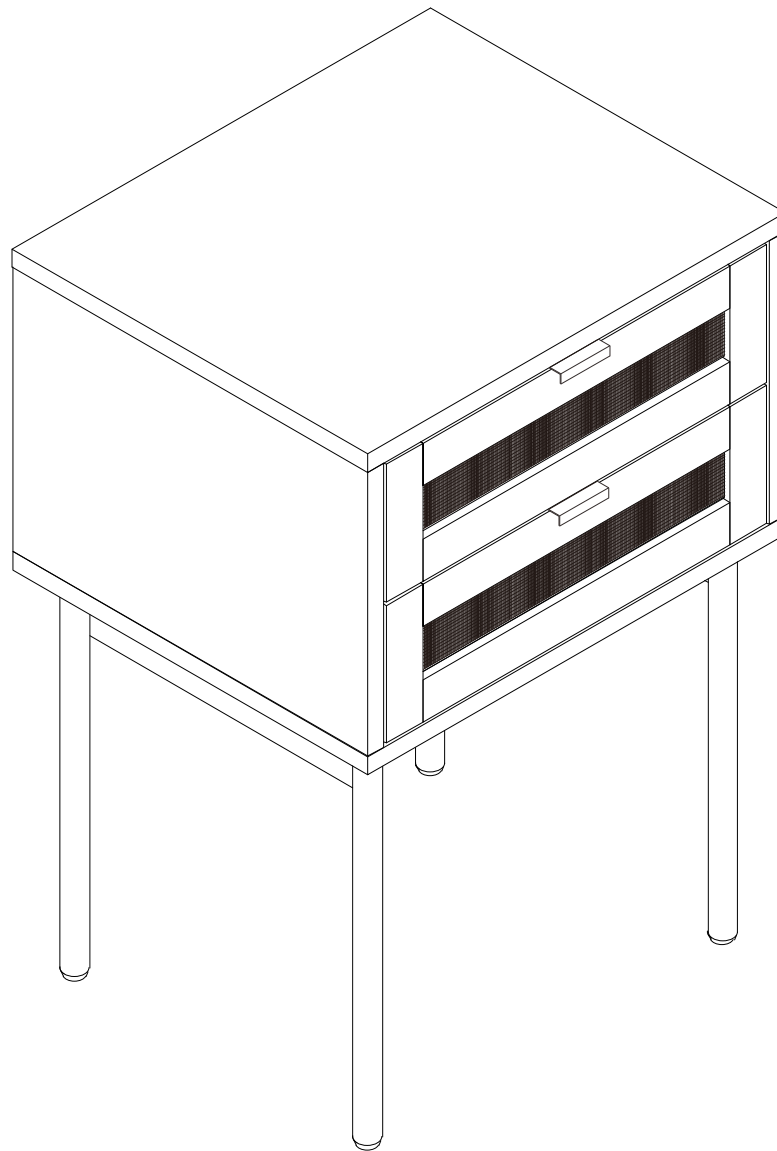
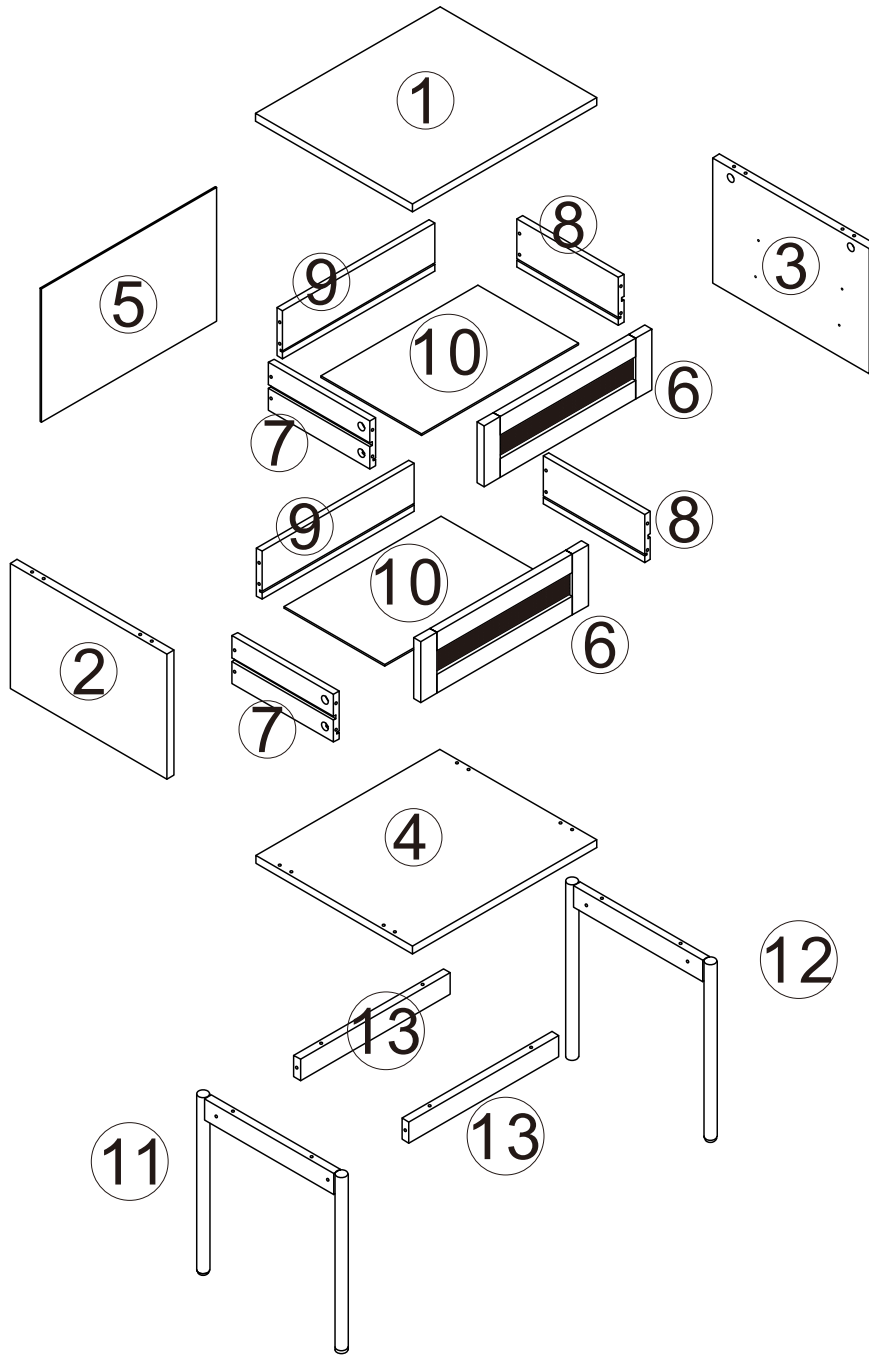
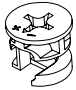
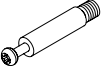
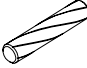

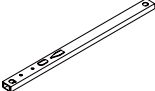
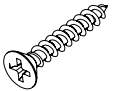
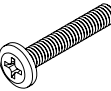
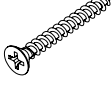


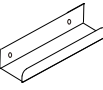
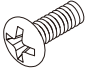


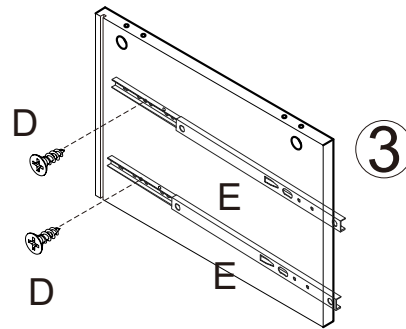
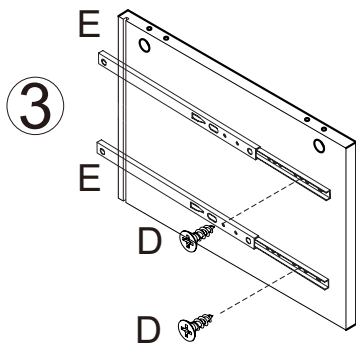
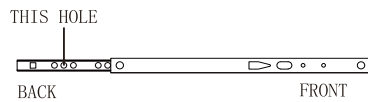
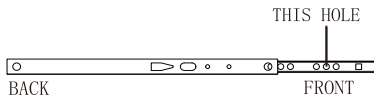
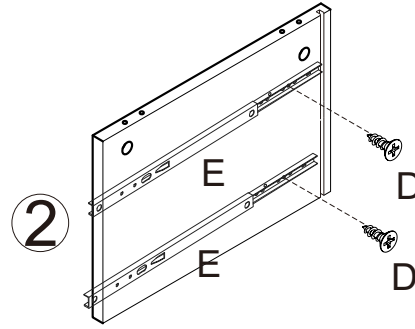
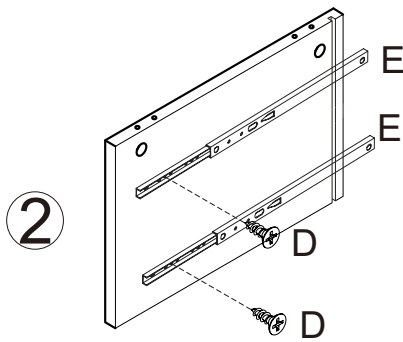
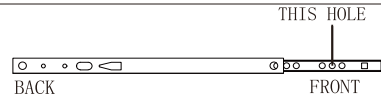
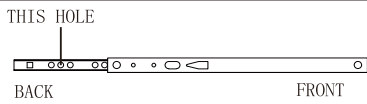
WI13144





| | | | |
|---|---|--|---|
|  |  |  |  |
| Ax12 | Bx12 | Cx8 | Dx8 |
|  |  |  |  |
| Ex4 | Fx4 | Gx4 | Hx8 |
|  |  |  |  |
| Ix8 | Jx4 | Kx2 | Lx4 |

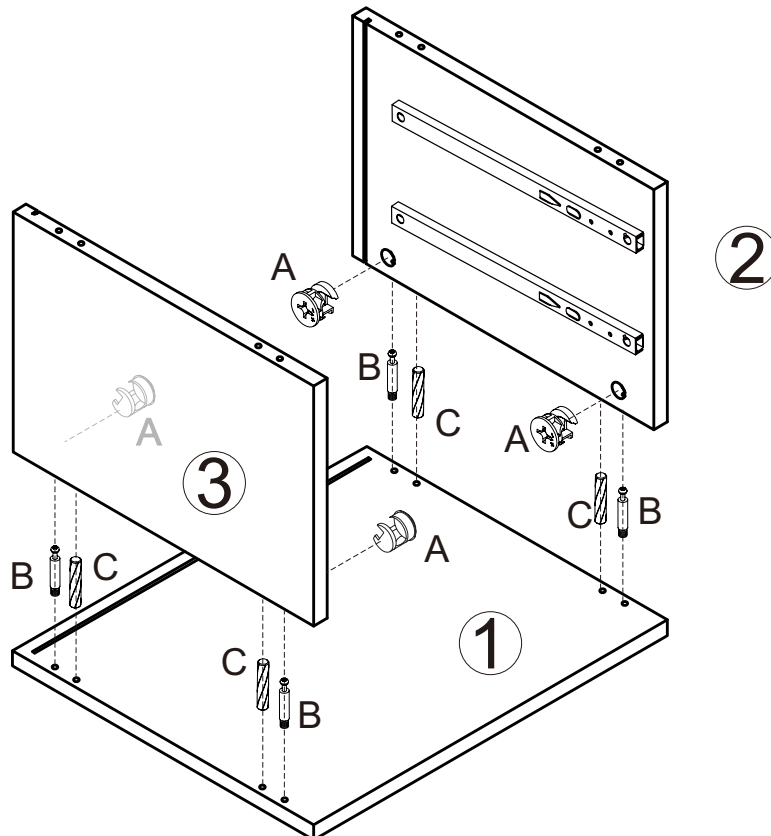
Step 1






| | |
|---|-----|
|  | Dx8 |
|  | Ex4 |

Stretch Hardware E and fix it to Part 2&3 with D

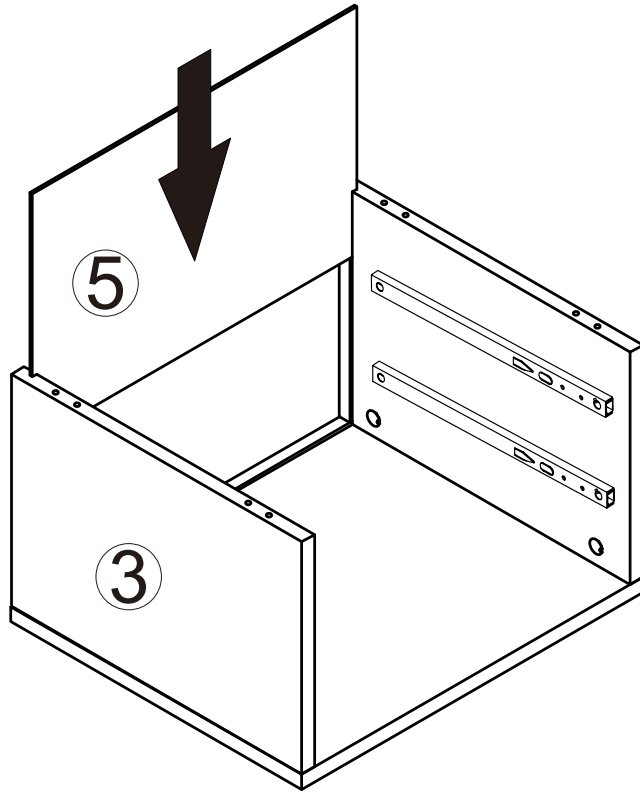
Step 2



| | |
|---|-----|
|  | Ax4 |
|  | Bx4 |
|  | Cx4 |

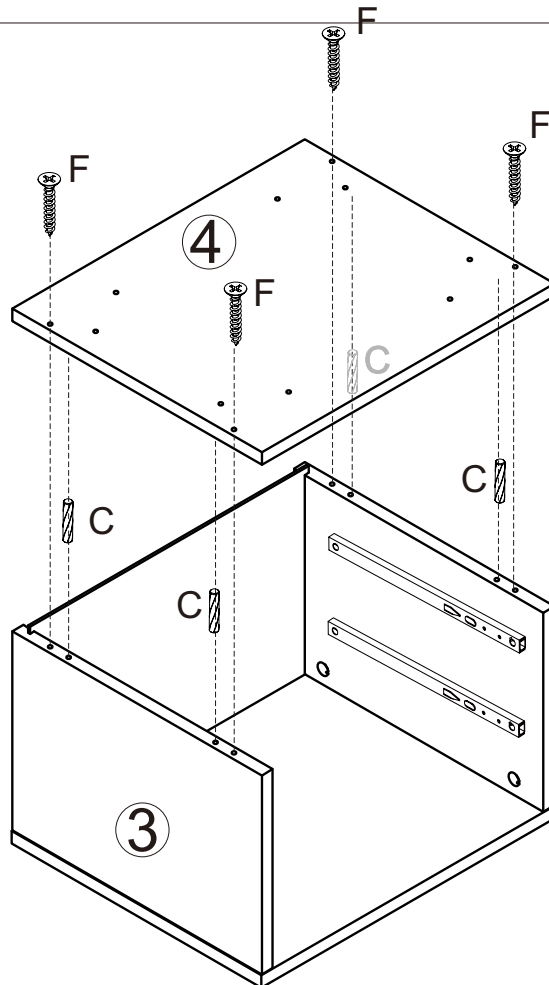
Connect Part 1 to 2&3 with Hardware C&B and lock them with A (Screw A tight clockwise)



Step 3



Insert Part 5 along the slots of 3&2 into 1

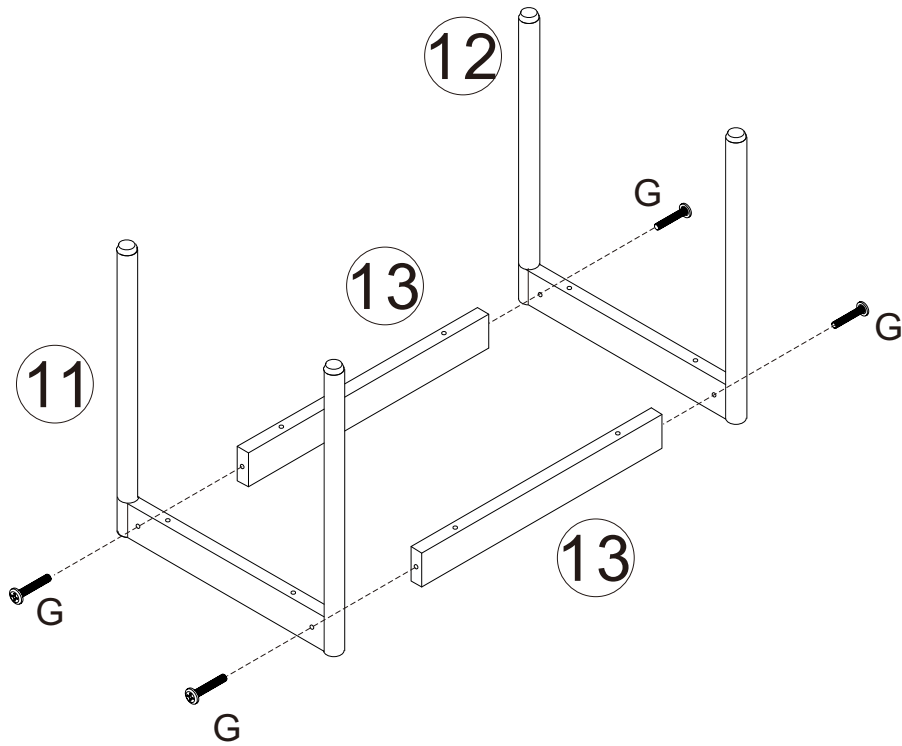
Step 4



| | |
|--|-----|
|  | Cx4 |
|  | Fx4 |

Lock Part 4 to 3&2 with Hardware C&F

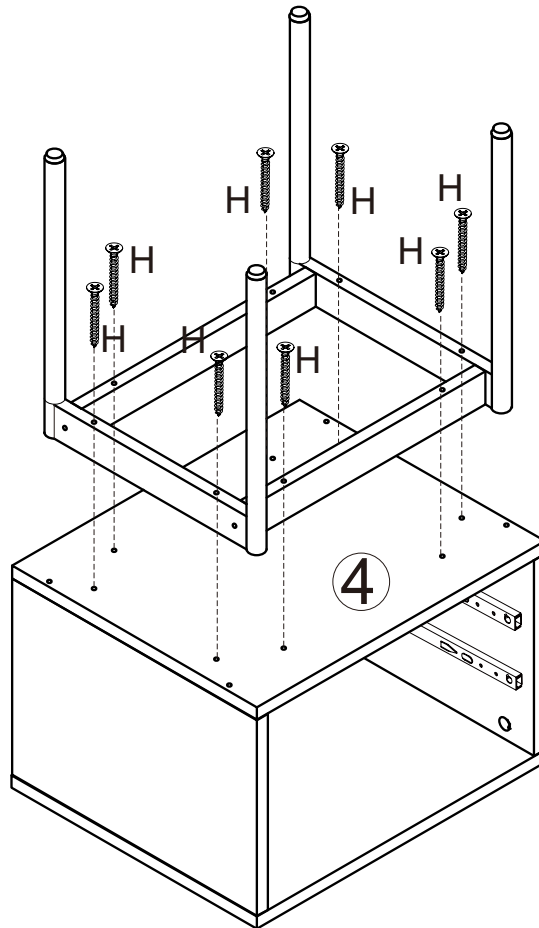
Step 5



Gx4

Connect Part 13 to 11&12 with Hardware G

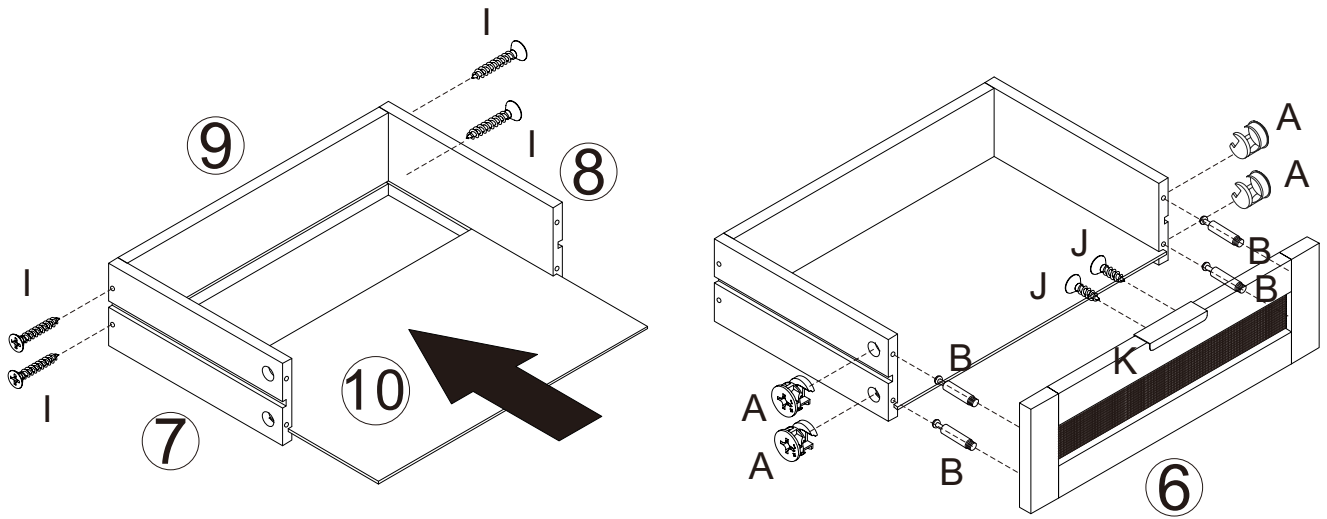
Step 6








Hx8

Lock the frame to Part 4 with Hardware H

Step 7

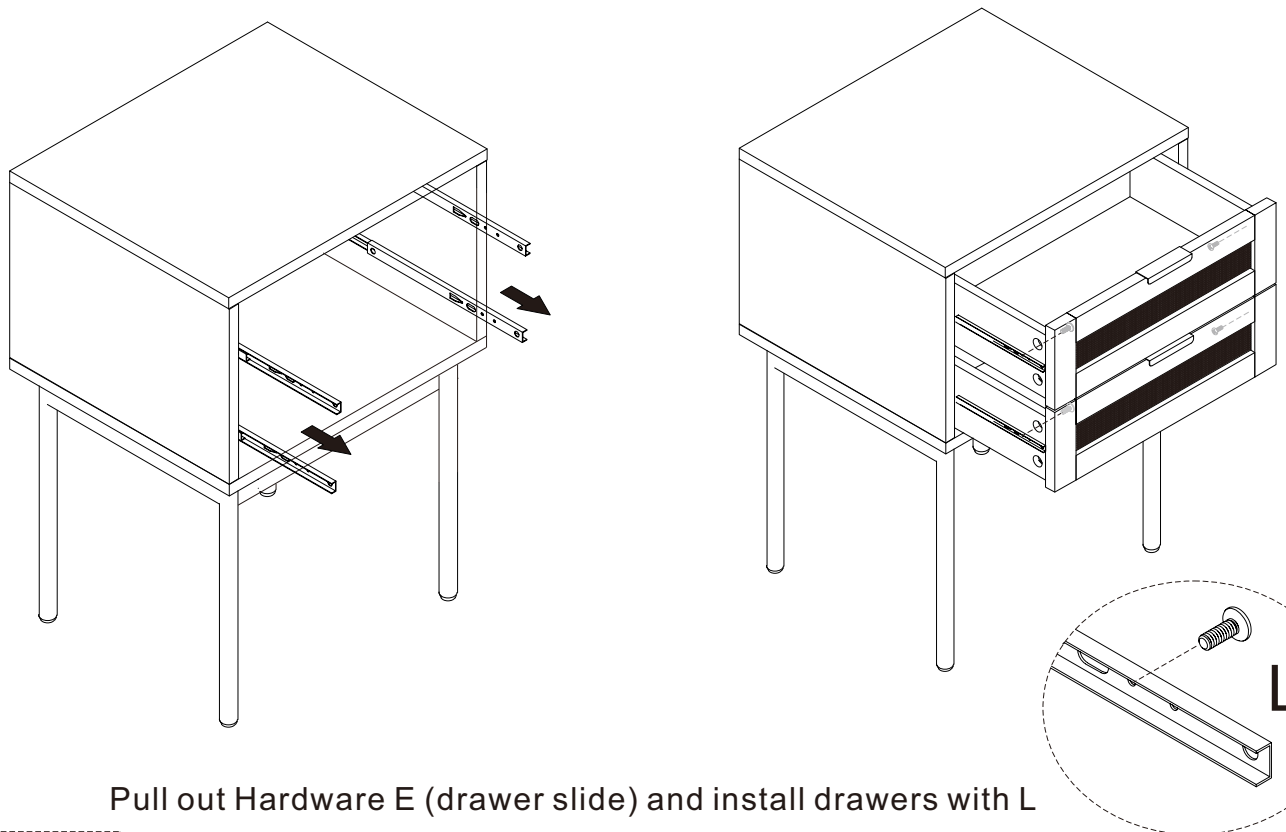


Connect Part 9 to 7&8 with Hardware I
 Insert Part 10 along the slots of 7&8 into 9
 Install Hardware K on Part 6 with J and fix B to 6
 Lock Part 6 to 7&8 with Hardware A (Screw A tight clockwise)

| | | | | | |
|--|-----|---|-----|---|-----|
|  | Ax8 |  | Bx8 |  | Jx4 |
|  | Ix8 |  | Kx2 | | |

x2

Step 8



Pull out Hardware E (drawer slide) and install drawers with L

| | |
|---|-----|
|  | Lx4 |
|---|-----|