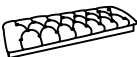

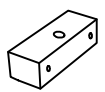
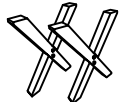





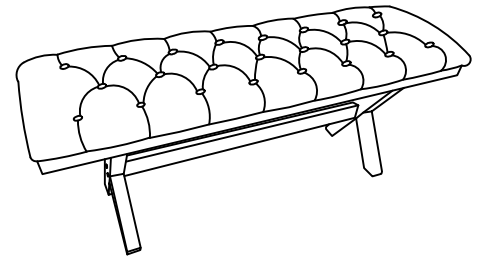


ASSEMBLY INSTRUCTIONS

MODEL : RDS 982 ST

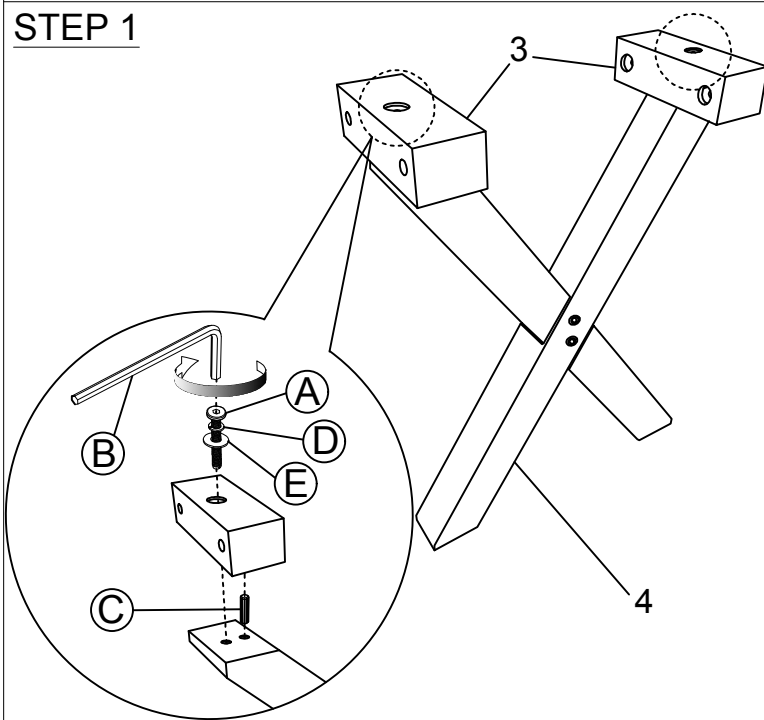
ITEM	PART NAME	QTY
1	CUSHION SEAT 	1 PC
2	APRON 	1 PC
3	WOOD BLOCK 	4 PCS
4	LEG L&R 	2 PCS

ITEM	HARDWARE NAME	DESCRIPTION	QTY
A	JCBC M6x60		16 PCS
B	ALLEN KEY M4		1 PC
C	WOOD DOWEL M10x40MM		4 PCS
D	SPRING WASHER M6		16 PCS
E	FLAT WASHER M6 13MM		16 PCS

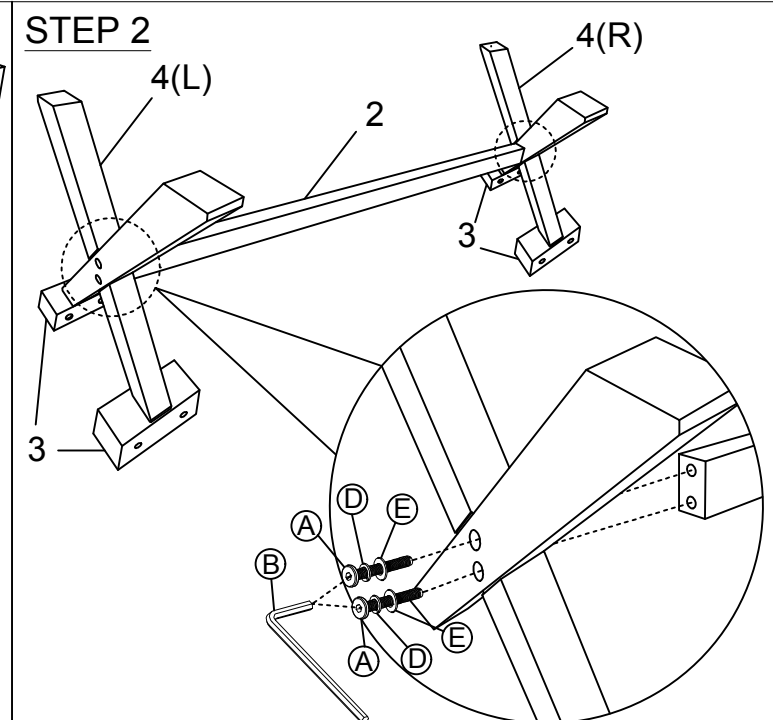


FULLY ASSEMBLY

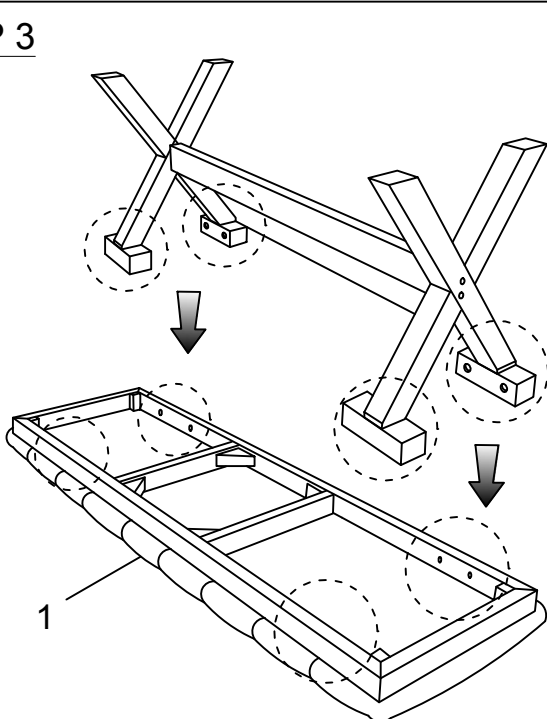
STEP 1



STEP 2



STEP 3



STEP 4

