




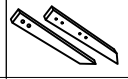

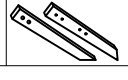


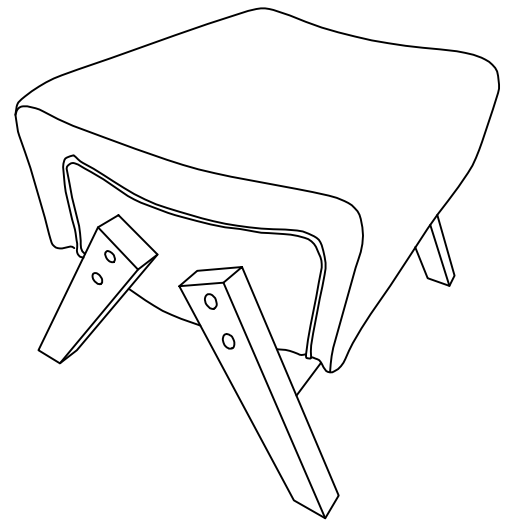


ASSEMBLY INSTRUCTIONS

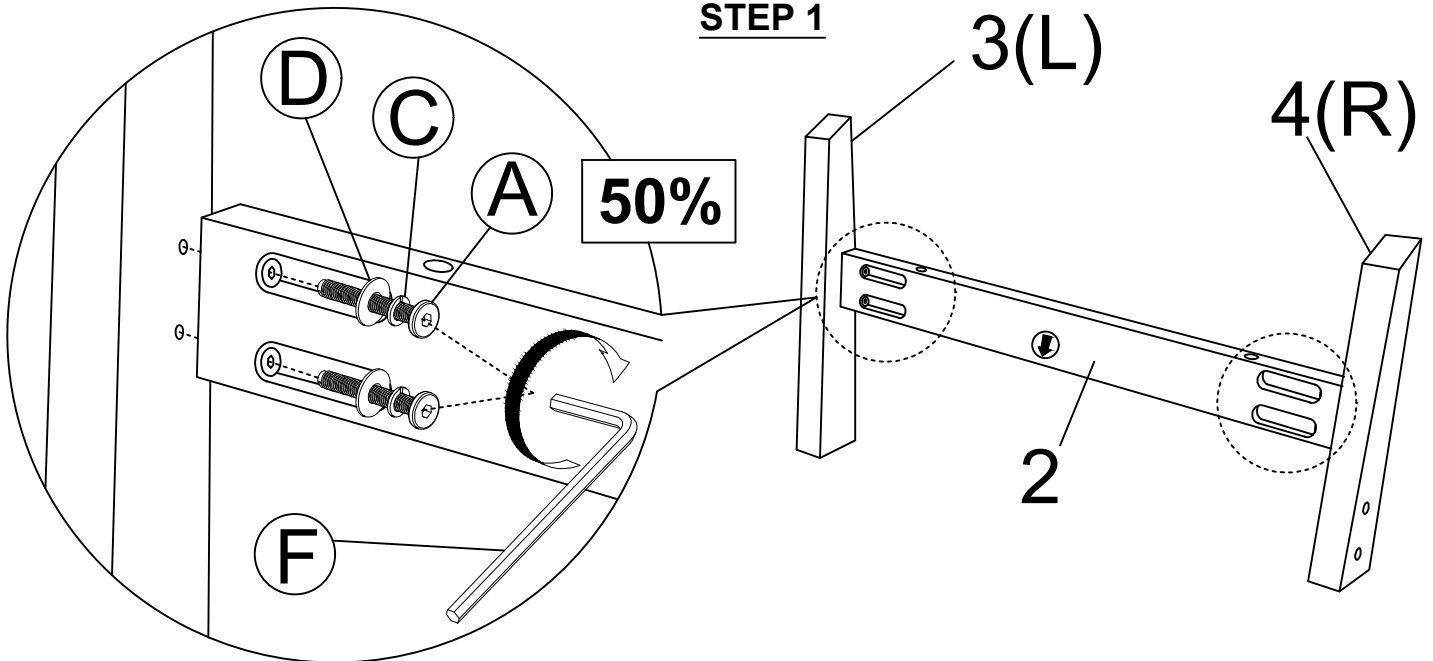
MODEL : RAC 527 OT

NO.	HARDWARE LIST	QTY	NO.	PART LIST	QTY
A	 JCBC 50MM	8 PCS	1	 CUSHION SEAT	1 PCS
B	 JCBC 30MM	8 PCS	2	 APRON	2 PCS
C	 SPRING WASHER	16 PCS	3	 LEG - LEFT	2 PCS
D	 FLAT WASHER	16 PCS	4	 LEG - RIGHT	2 PCS
E	 WOOD BUTTON	8 PCS			
F	 ALLEN KEY	1 PCS			

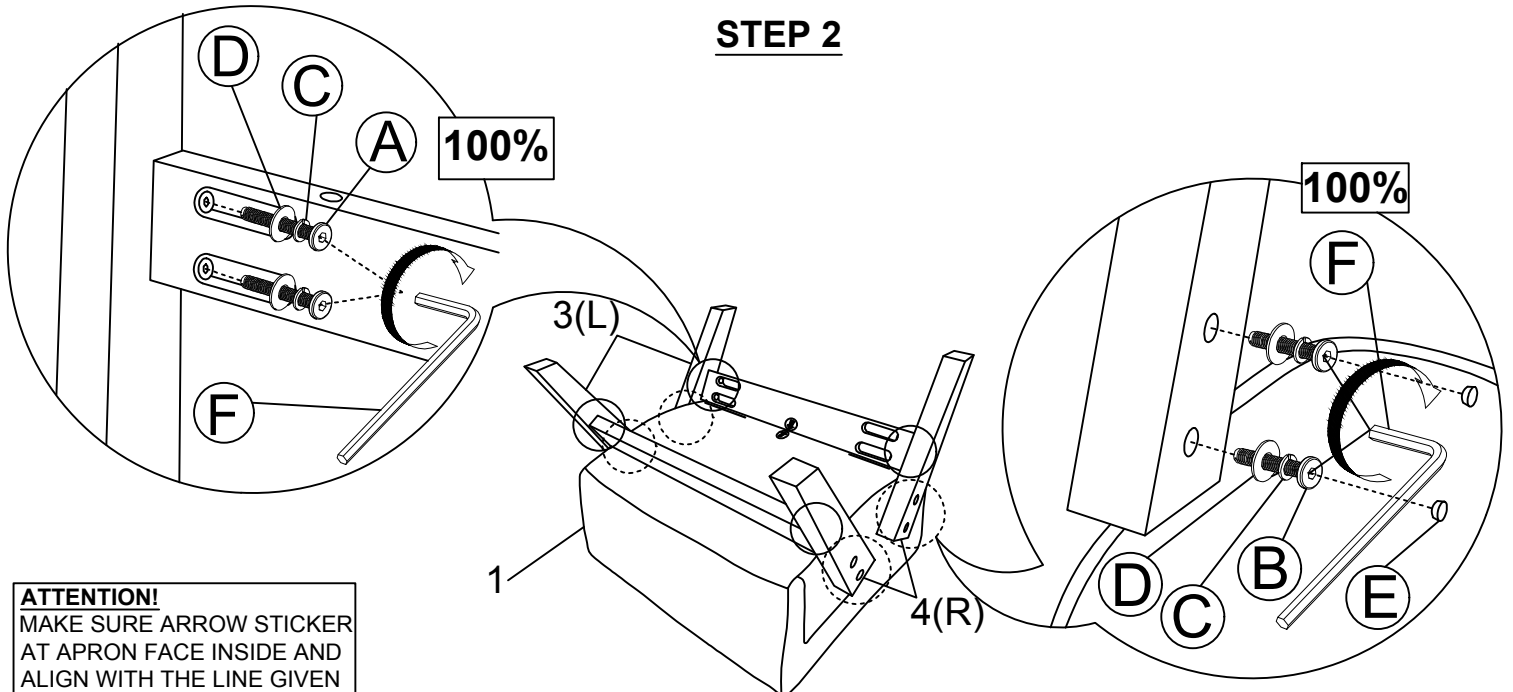


FULLY ASSEMBLY

STEP 1



STEP 2



ATTENTION!
 MAKE SURE ARROW STICKER
 AT APRON FACE INSIDE AND
 ALIGN WITH THE LINE GIVEN