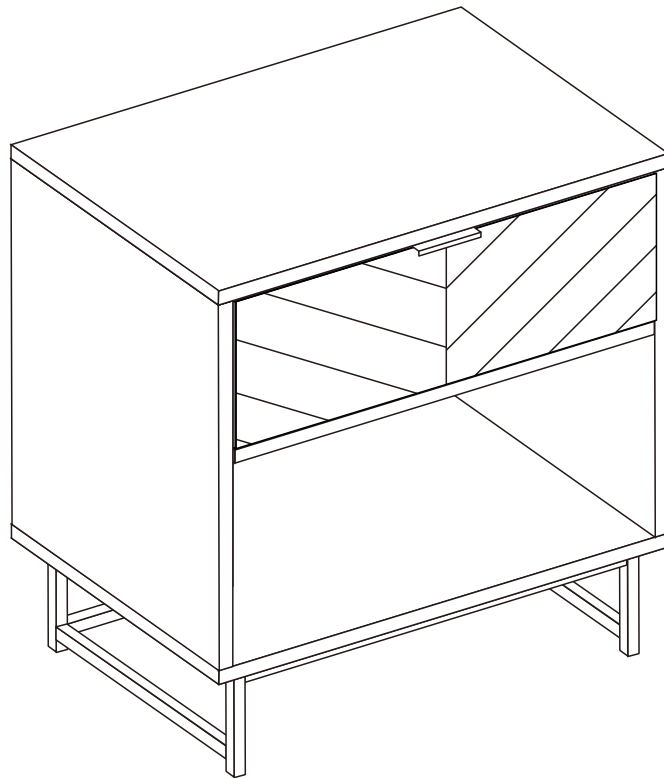




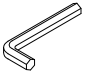

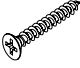
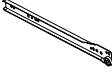
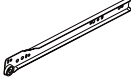
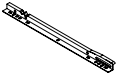
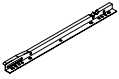
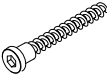



Night Stand

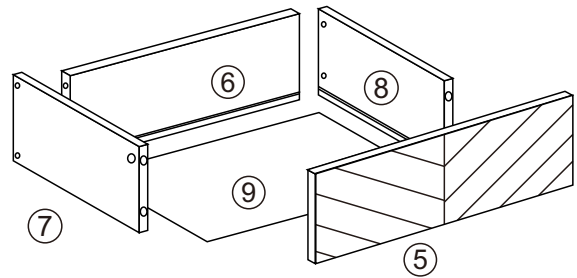
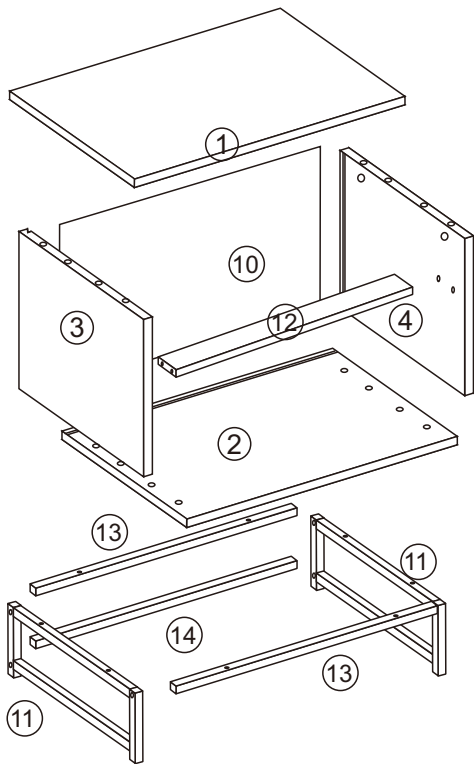


ASSEMBLY INSTRUCTION

HARDWARE LIST

A 8 PCS		B 8 PCS		C 12 PCS		D 6 PCS		E 1 PC	
F 1 PC		G 8 PCS		H (CR) 1 PC		H (CL) 1 PC		H (DR) 1 PC	
H (DL) 1 PC		L 8 PCS		M 10 PCS					

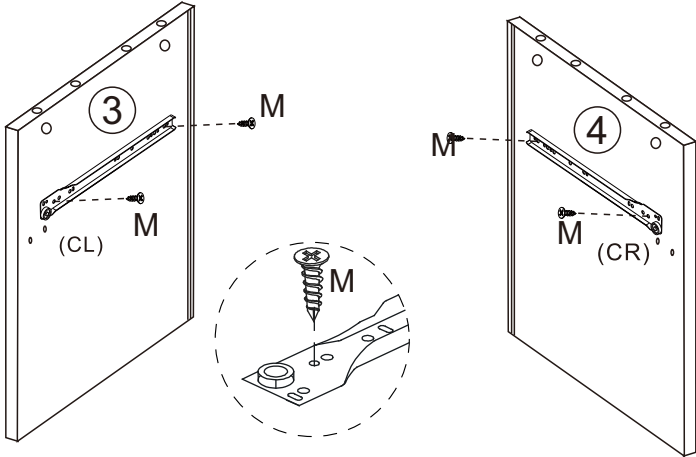
PARTS LIST



ASSEMBLY STEPS

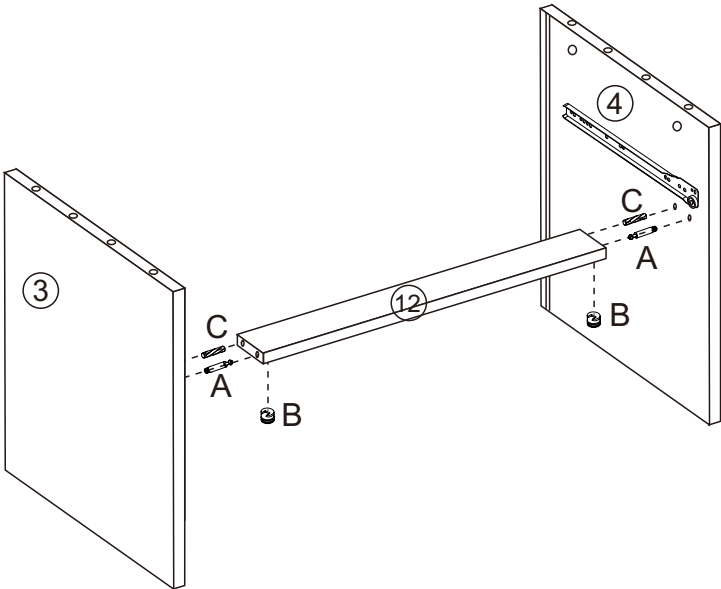
STEP 1.

Fix outer drawer runners (CL) and (CR) to part 3 and part 4 using screws (M), as shown.



STEP 2.

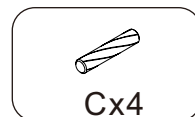
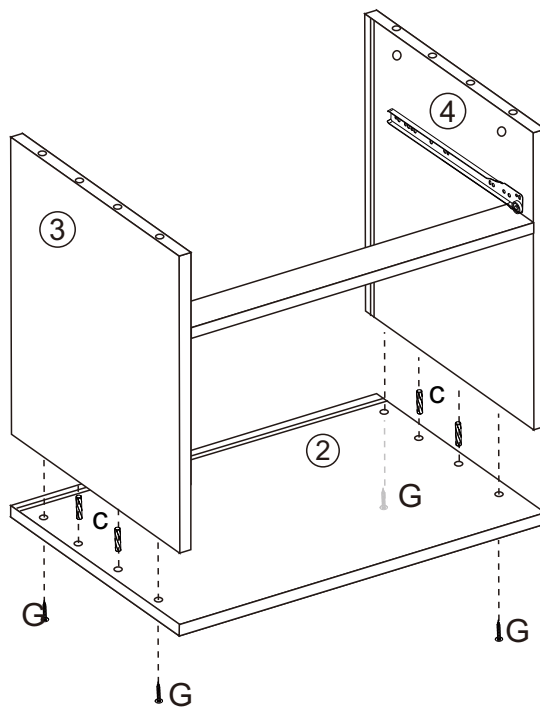
Insert quickfit screws (A) into parts 3 and 4, as shown.
Insert cam locks (B) and wooden dowels (C) into part 12, as shown.
Fit parts 3 and 4 to part 12.
Turn cam locks clockwise to tighten.



ASSEMBLY STEPS

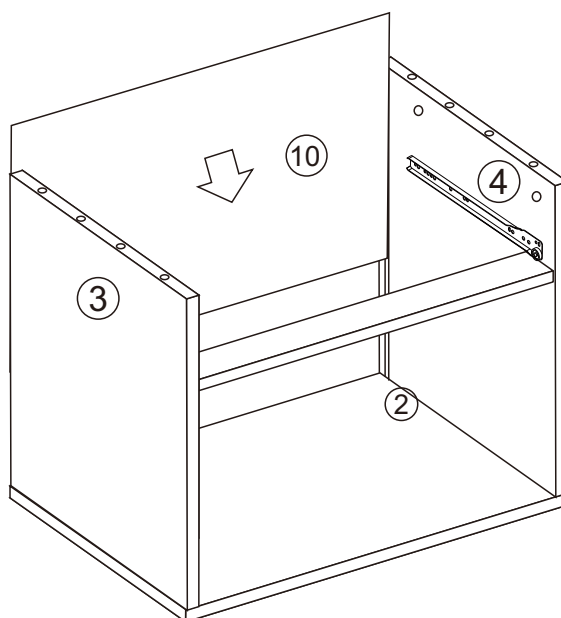
STEP 3.

Fix part 2 to parts 3 and 4 with wooden dowels (C) and screws (G), as shown.



STEP 4.

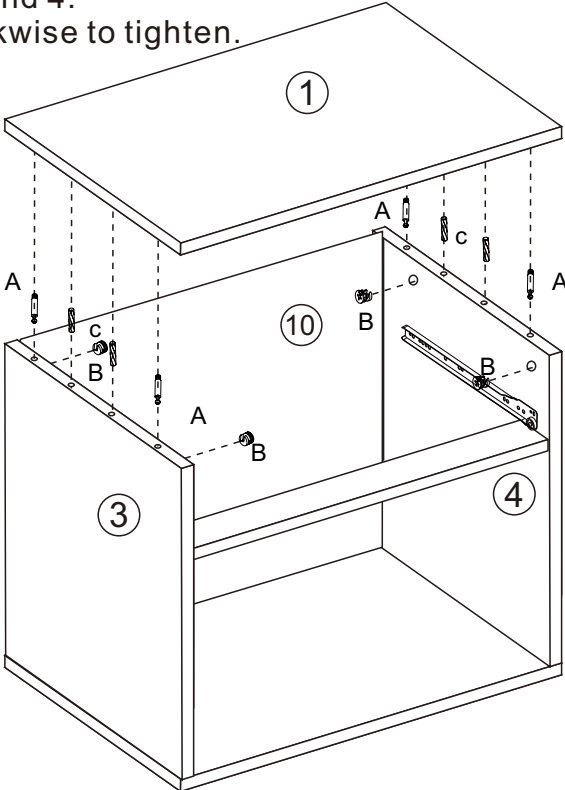
Slide part 10 into grooves parts 3 and 4, as shown.



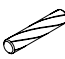


ASSEMBLY STEPS

STEP 5.

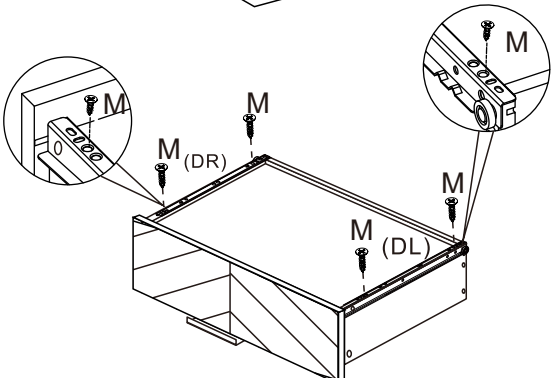
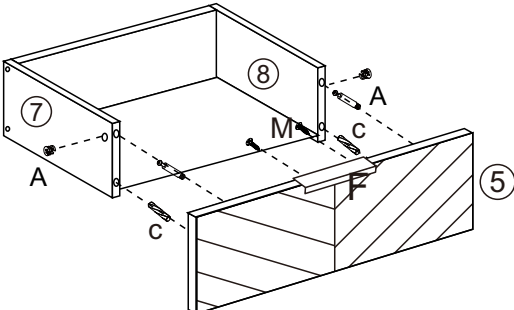
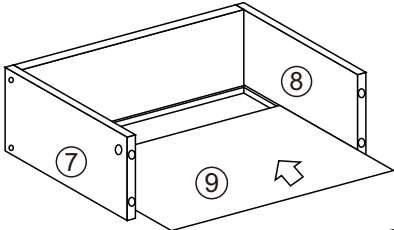
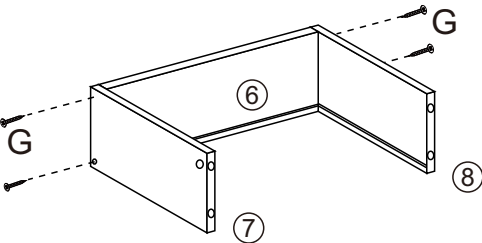
Insert quickfit screws (A) into part 1, as shown.
 Insert cam locks (B) and wooden dowels (C) into parts 3 and 4, as shown.
 Fit part 1 to parts 3 and 4.
 Turn cam locks clockwise to tighten.



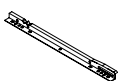
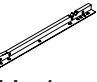




-  Ax4
-  Bx4
-  Cx4

STEP 6.

Fix parts 7 and 8 to part 6 using screws (G), as shown.
 Slide part 9 into grooves between parts 7, 6 and 8, as shown.
 Fix handle (F) to part 5 using screws (M), as shown.
 Insert quickfit screws (A) into part 5.
 Insert cam locks (B) and wooden dowels (C) into parts 7 and 8, as shown.
 Fit part 5 to parts 7 and 8, as shown.
 Turn cam locks clockwise to tighten.
 Fix inner drawer runners (DR) and (DL) to assembled drawer using screws (M), as shown.

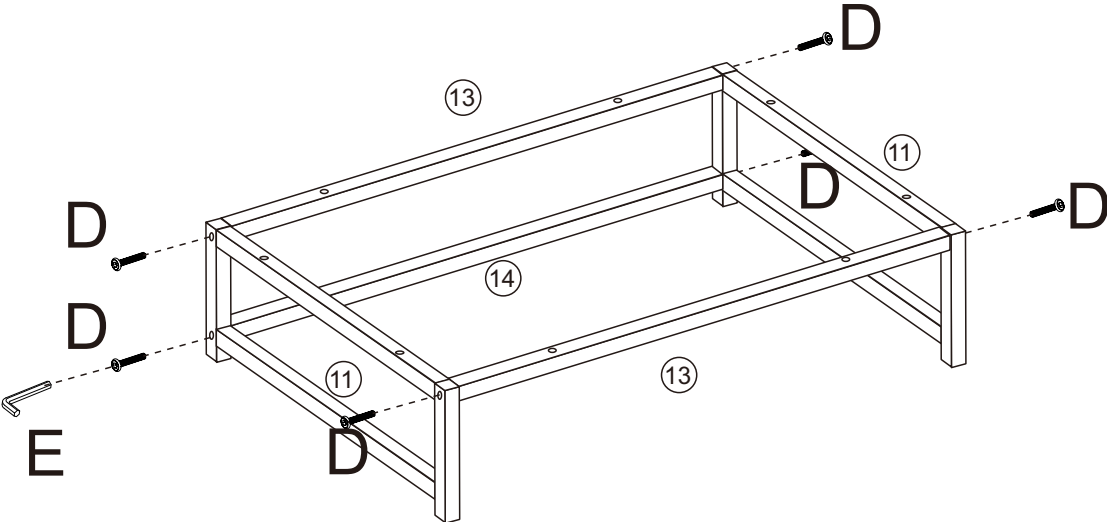
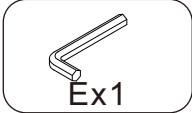


-  Ax2
-  Bx2
-  DR Hx1
-  DL Hx1
-  Mx6
-  Cx2

ASSEMBLY STEPS

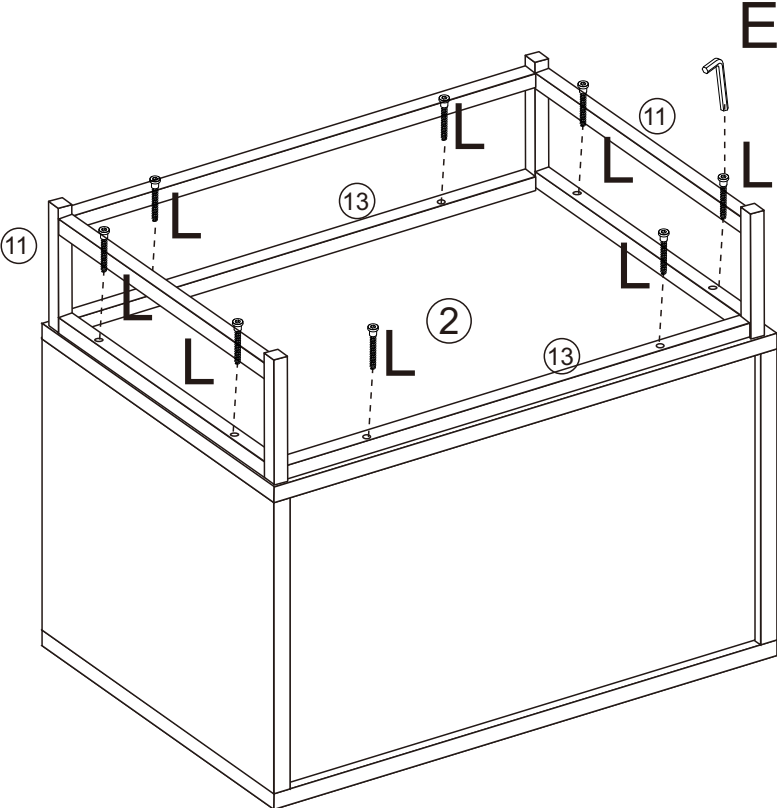
STEP 7.

Fix parts 13 and 14 to parts 11 using screws (D) and allen key (E), as shown.



STEP 8.

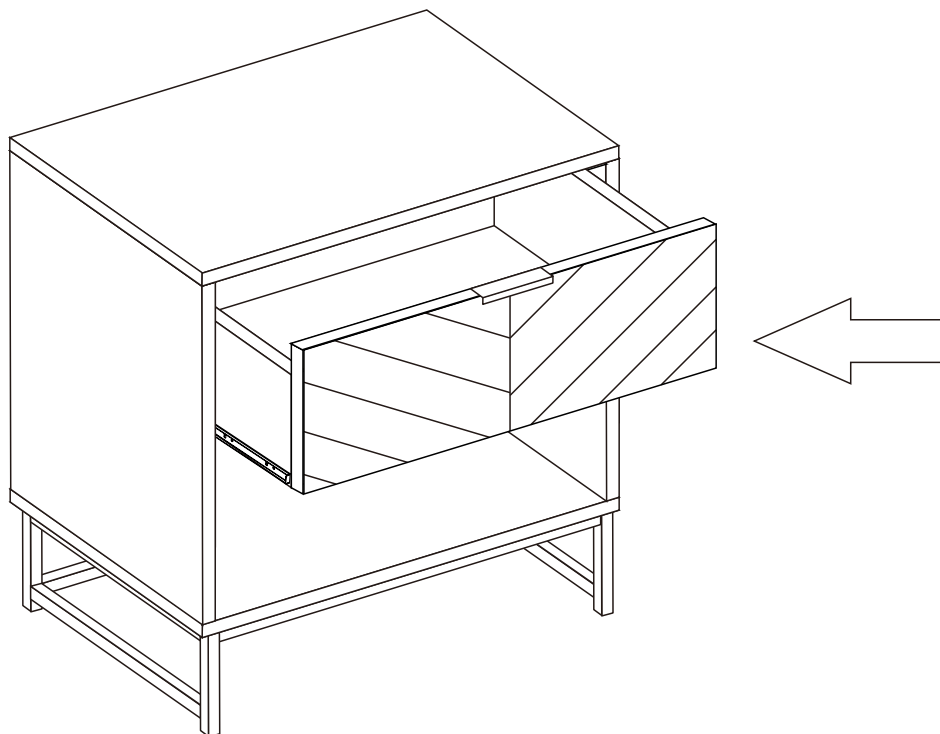
Fix metal legs to part 2 using screws (L) and allen key.



ASSEMBLY STEPS

STEP 9.

Fit drawer into assembled unit, as shown.



STEP 10.

