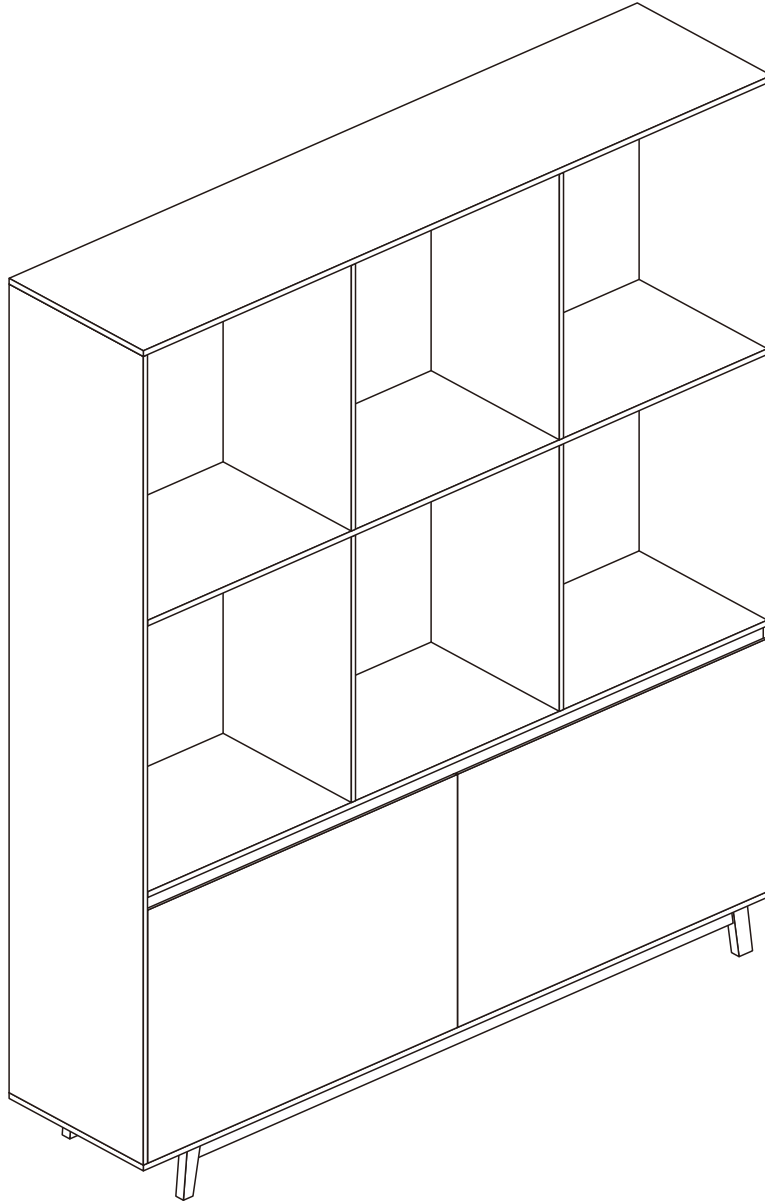







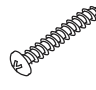
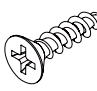





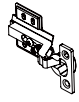

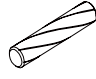
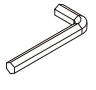


# Bookshelf

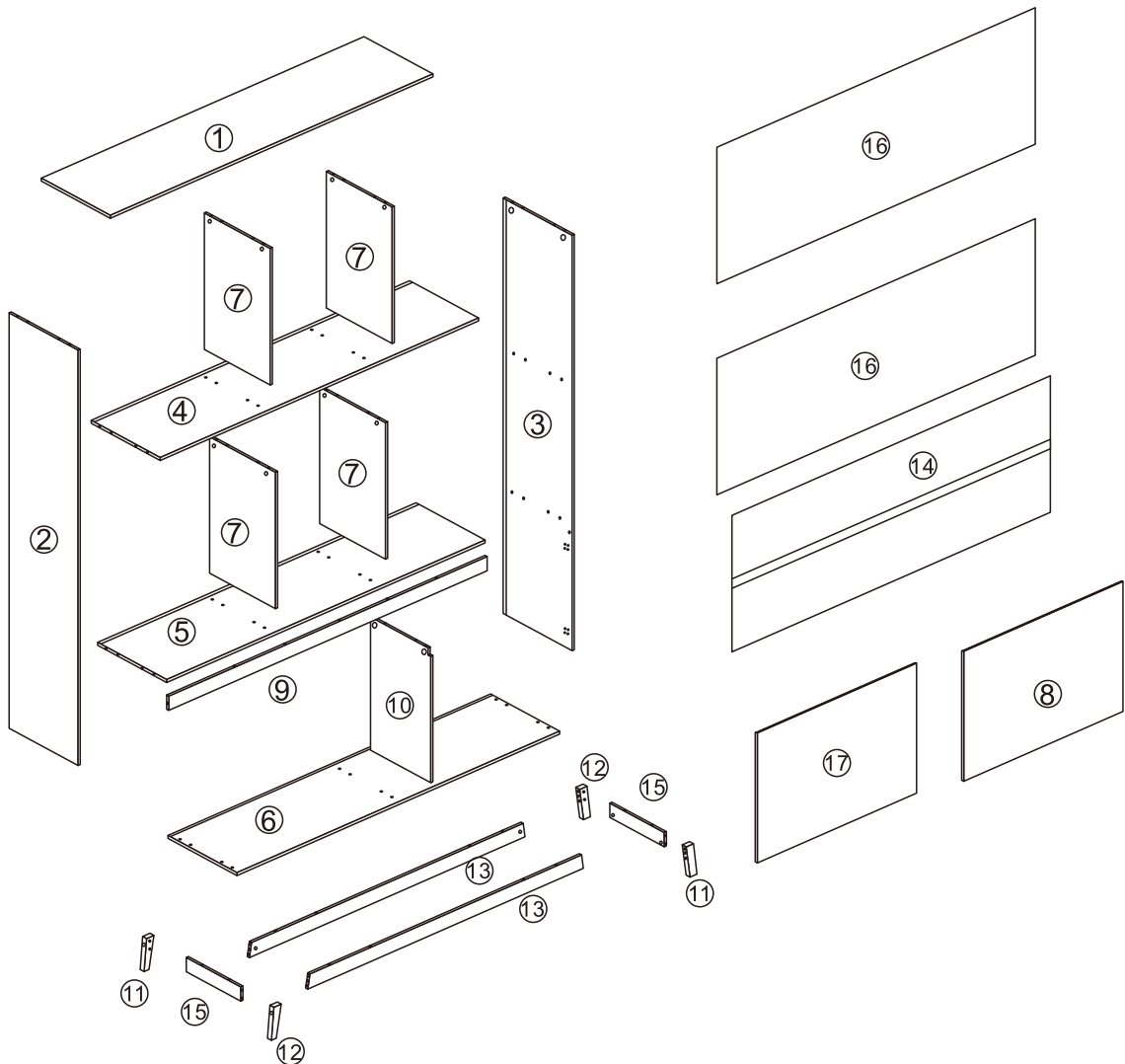


## ASSEMBLY INSTRUCTION

# HARDWARE LIST

<b>A</b> 26 PCS		<b>B</b> 26 PCS		<b>C</b> 56 PCS		<b>D</b> 16 PCS		<b>E</b> 4 PCS	<b>E-1</b> 	<b>E-2</b> 
<b>F</b> 4 PCS		<b>G</b> 10 PCS		<b>H</b> 24 PCS		<b>I</b> 2 PCS		<b>J</b> 12 PCS	<b>J-1</b> 	<b>J-2</b> 
<b>K</b> 2 PCS		<b>L</b> 2 PCS		<b>M</b> 4 PCS		<b>N</b> 4 PCS		<b>O</b> 4 PCS		
<b>P</b> 1 PC										

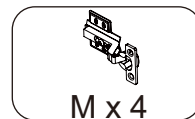
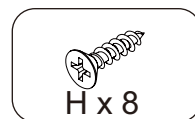
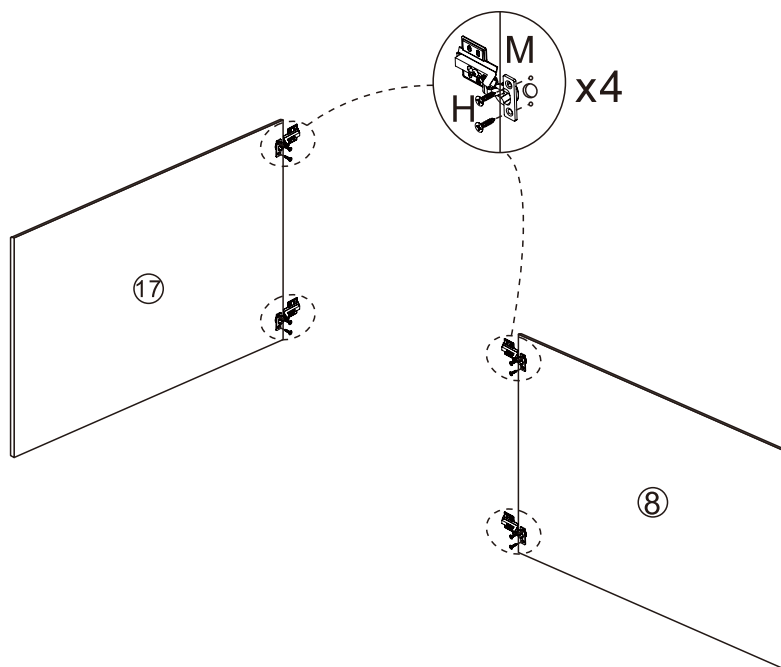
# PARTS LIST



# ASSEMBLY STEPS

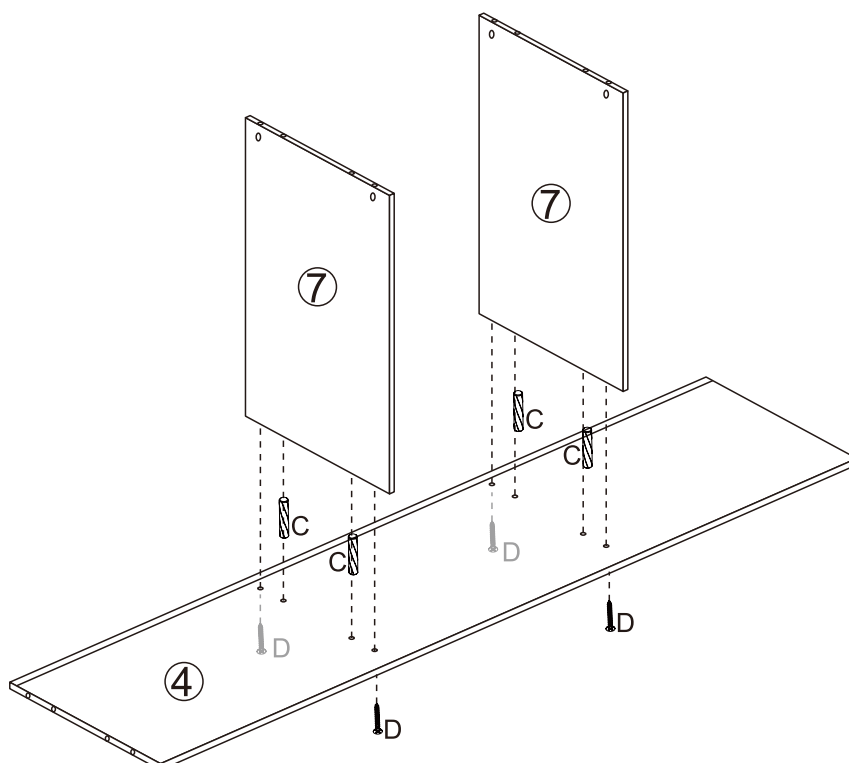
## STEP 1.

Fix hinges (M) to doors 8 and 17 using screws (H), as shown.



## STEP 2.

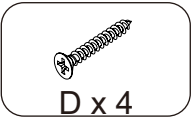
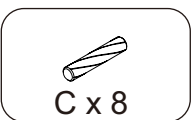
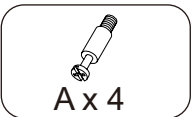
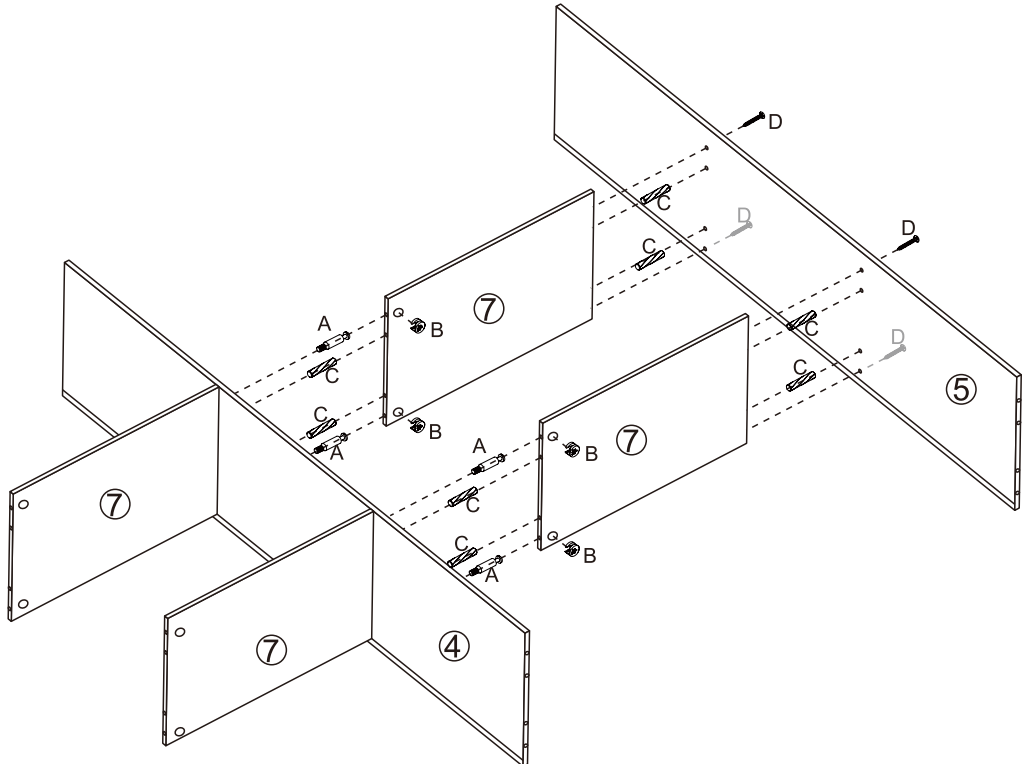
Attach parts 7 to part 4 using wooden dowels (C) and screws (D), as shown.



# ASSEMBLY STEPS

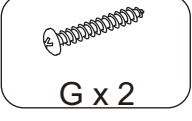
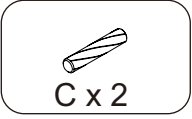
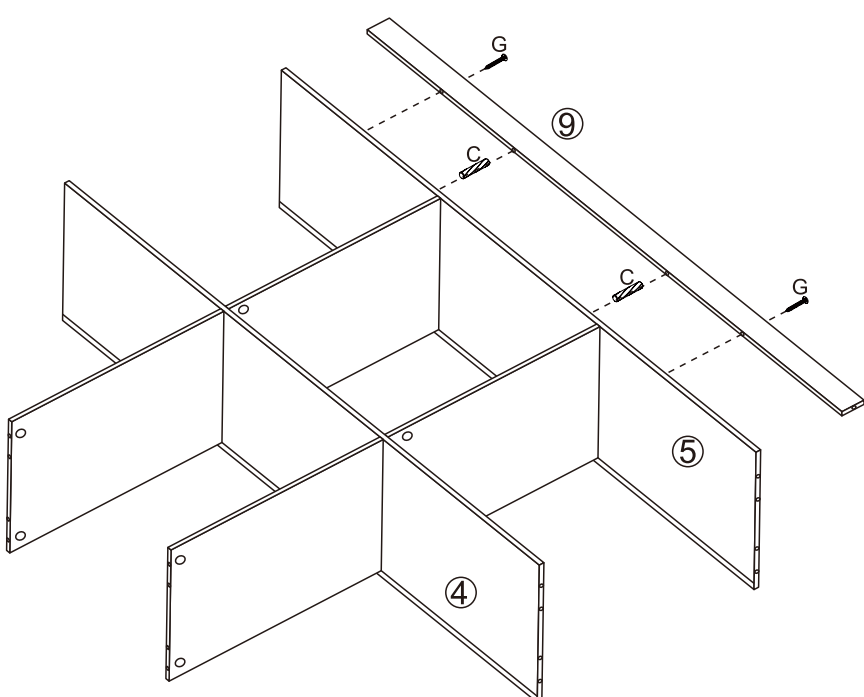
## STEP 3.

Attach parts 7 to part 5 using wooden dowels (C) and screws (D), as shown.  
Insert quickfit screws (A) into part 4, as shown.  
Insert cam locks (B) and wooden dowels (C) into parts 7, as shown.  
Attach part 4 to parts 7. Turn cam locks clockwise to tighten.



## STEP 4.

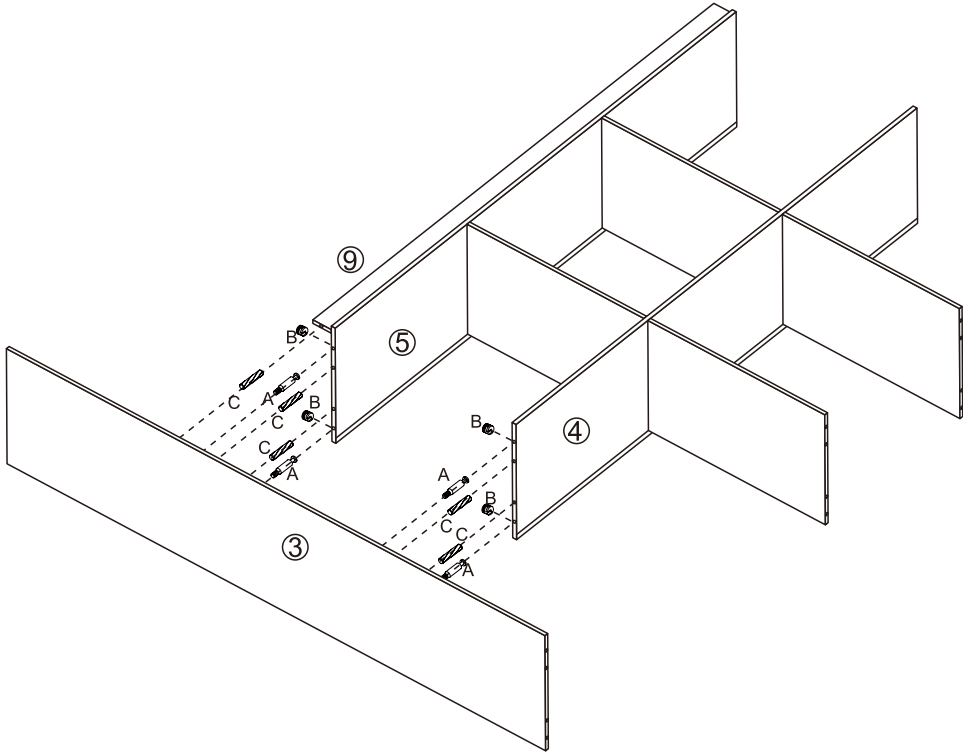
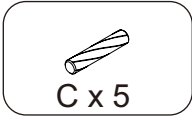
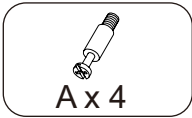
Fix part 9 to part 5 using wooden dowels (C) and screws (G), as shown.



# ASSEMBLY STEPS

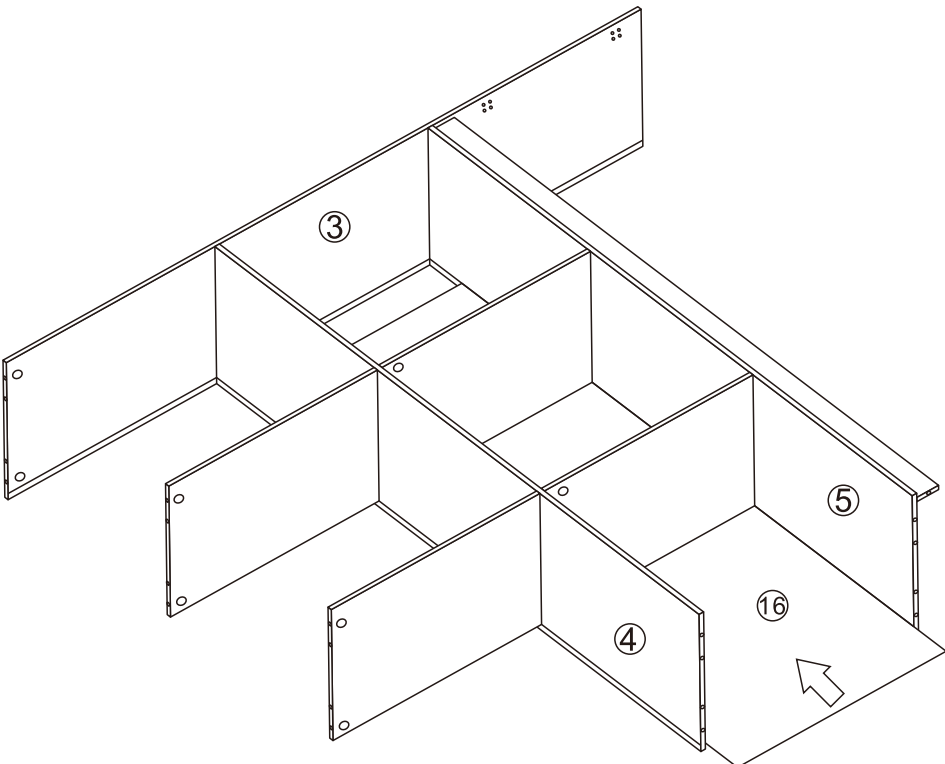
## STEP 5.

Insert quickfit screws (A) into part 3, as shown.  
Insert cam locks (B) and wooden dowels (C) into parts 4, 5 and 9, as shown.  
Fit part 3 to parts 4, 5 and 9.  
Turn cam locks clockwise to tighten.



## STEP 6.

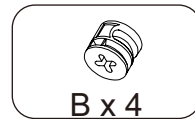
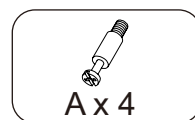
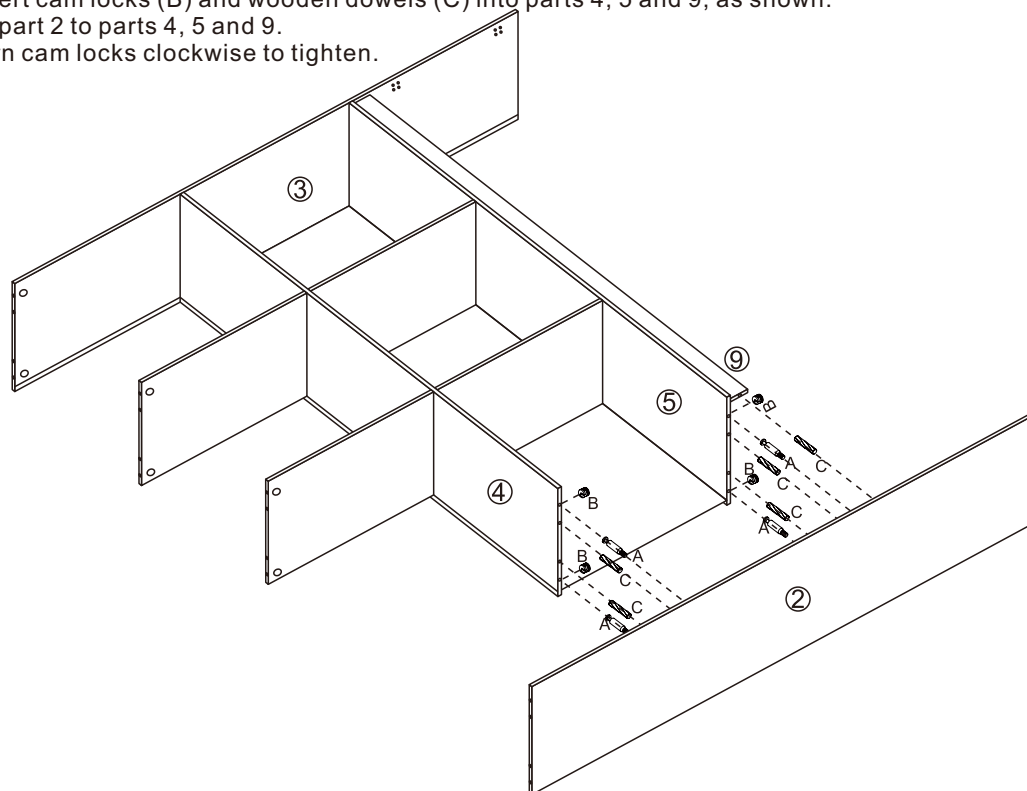
Slide part 16 into grooves between parts 4, 5 and 3, as shown.



# ASSEMBLY STEPS

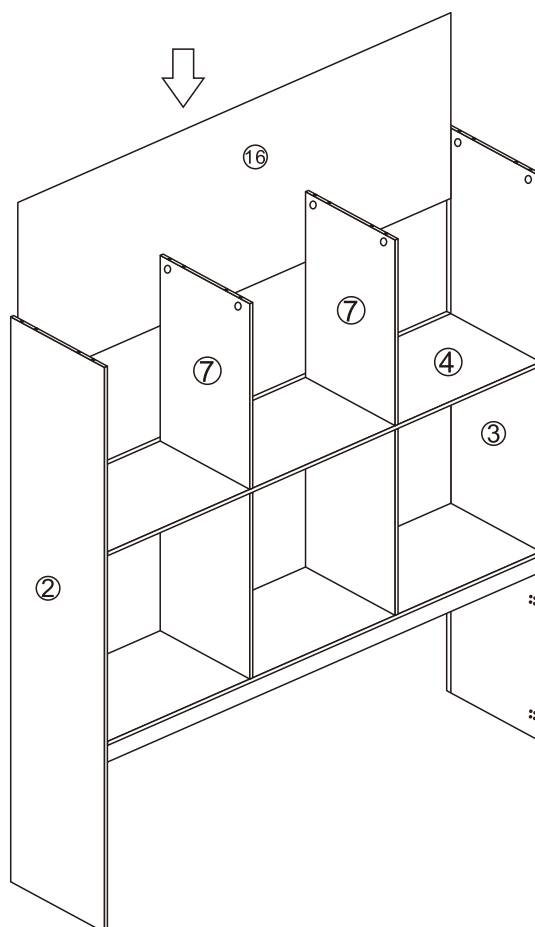
## STEP 7.

Insert quickfit screws (A) into part 2, as shown.  
Insert cam locks (B) and wooden dowels (C) into parts 4, 5 and 9, as shown.  
Fit part 2 to parts 4, 5 and 9.  
Turn cam locks clockwise to tighten.



## STEP 8.

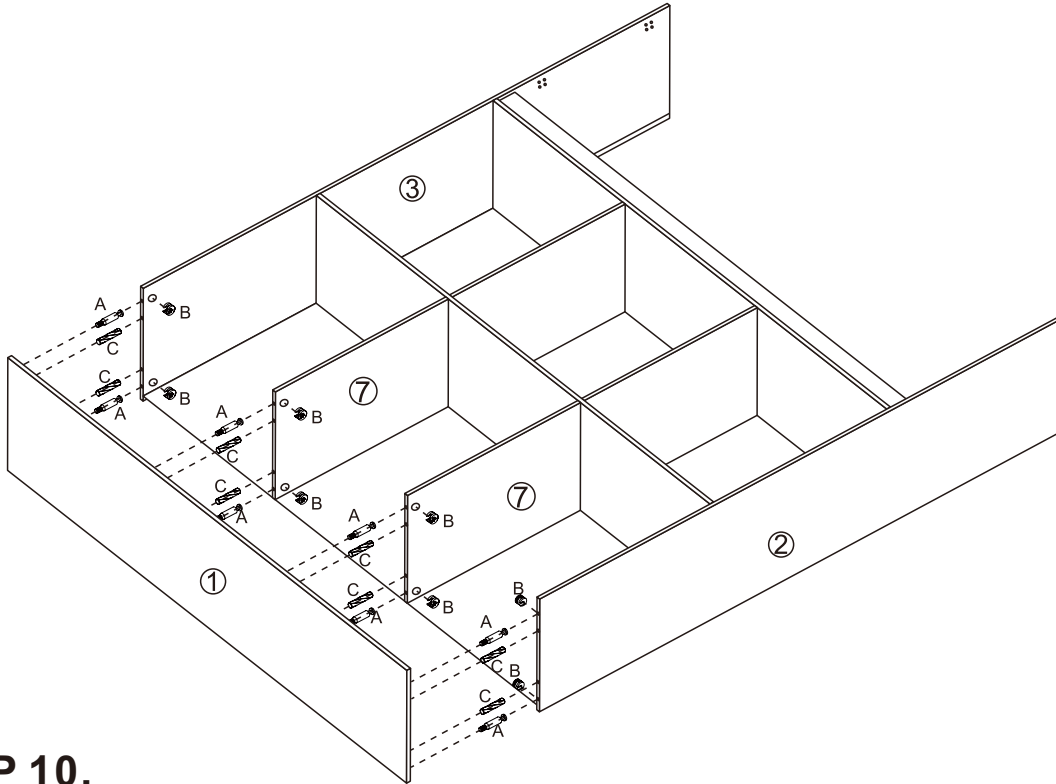
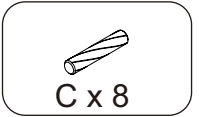
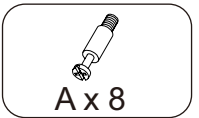
Slide part 16 into grooves between parts 2, 4 and 3, as shown.



# ASSEMBLY STEPS

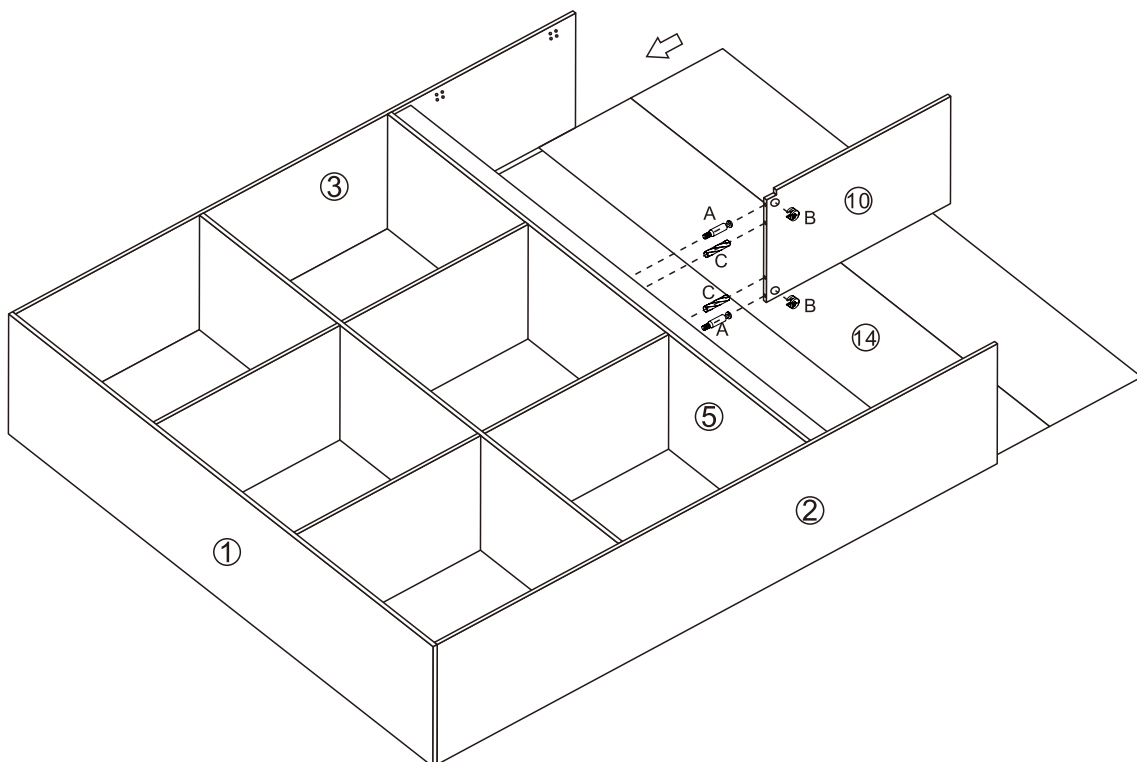
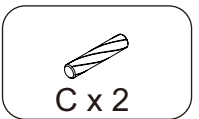
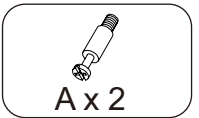
## STEP 9.

Insert quickfit screws (A) into part 1, as shown.  
Insert cam locks (B) and wooden dowels (C) into parts 2, 7 and 3, as shown.  
Fit part 1 to parts 2, 7 and 3, as shown.  
Turn cam locks clockwise to tighten.



## STEP 10.

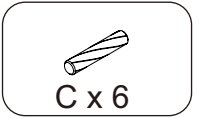
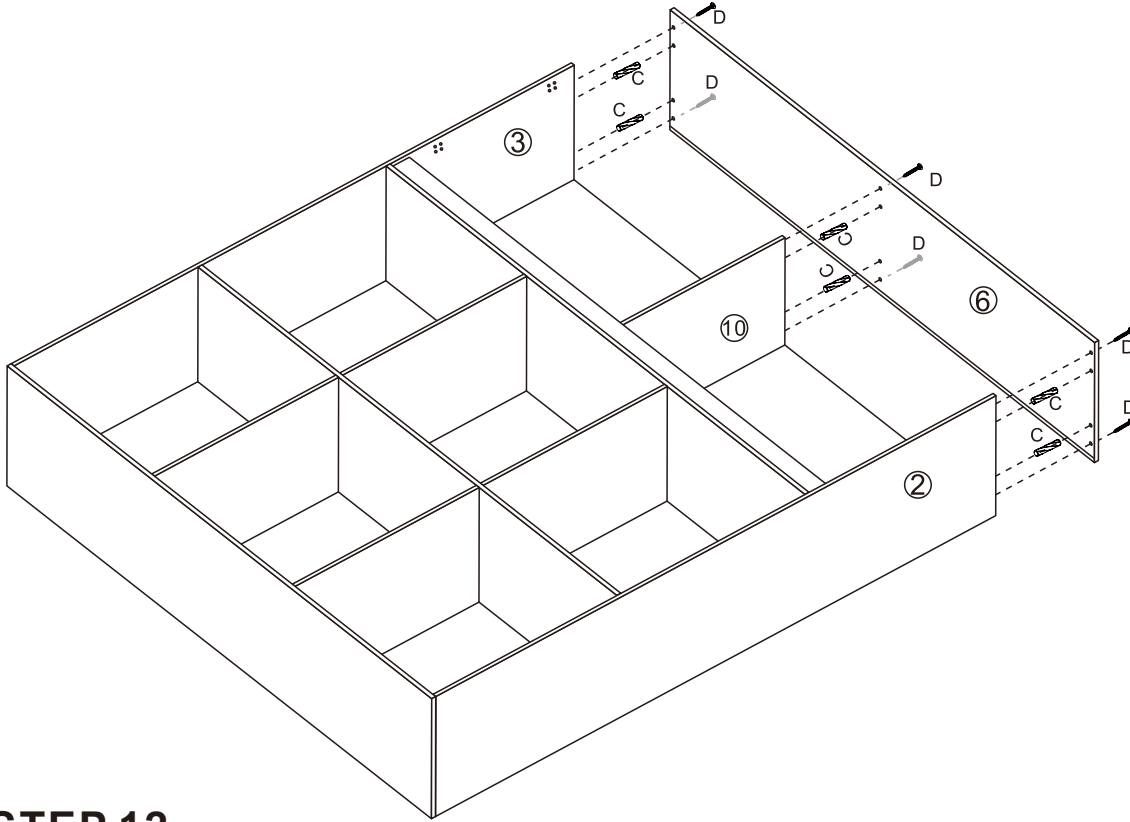
Insert quickfit screws (A) into part 5, as shown.  
Insert cam locks (B) and wooden dowels (C) into part 10, as shown.  
Attach part 10 to part 5.  
Turn cam locks clockwise to tighten.  
Slide part 14 into grooves between parts 2, 5 and 3, as shown.



# ASSEMBLY STEPS

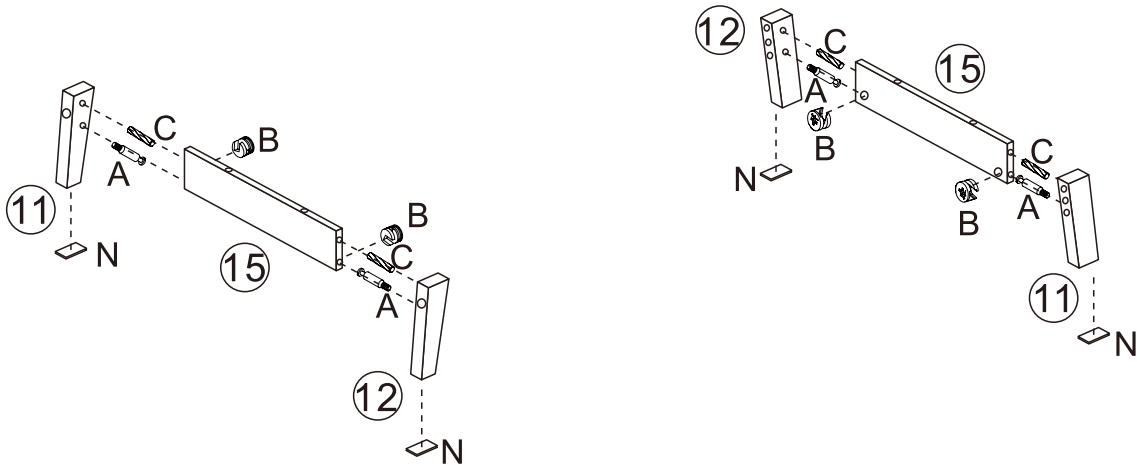
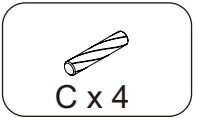
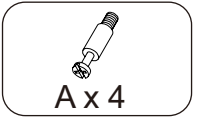
## STEP 11.

Attach part 6 to parts 2, 10 and 3 using wooden dowels (C) and screws (D), as shown.



## STEP 12.

Insert quickfit screws (A) and wooden dowels (C) into parts 11 and 12, as shown.  
Insert cam locks (B) into parts 15, as shown.  
Fit parts 11 and 12 to parts 15.  
Turn cam locks clockwise to tighten.  
Attach foot pads (N) to parts 11 and 12, as shown.

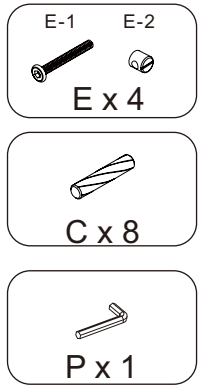
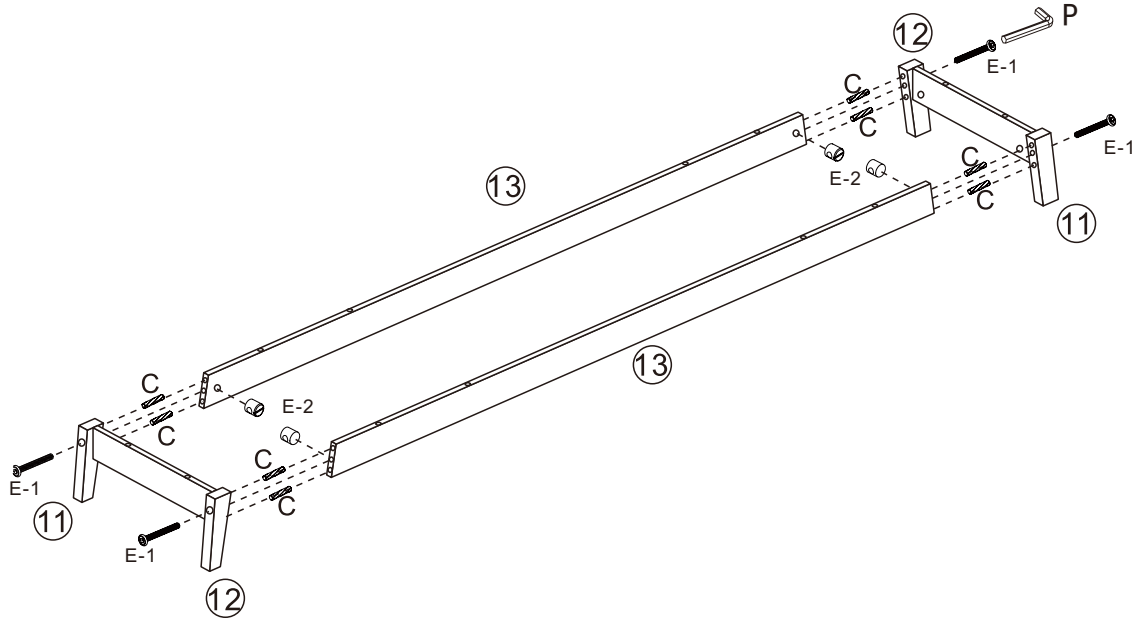




# ASSEMBLY STEPS

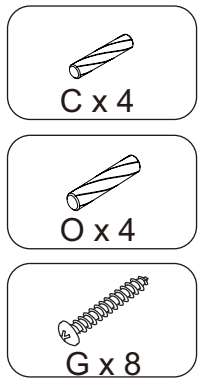
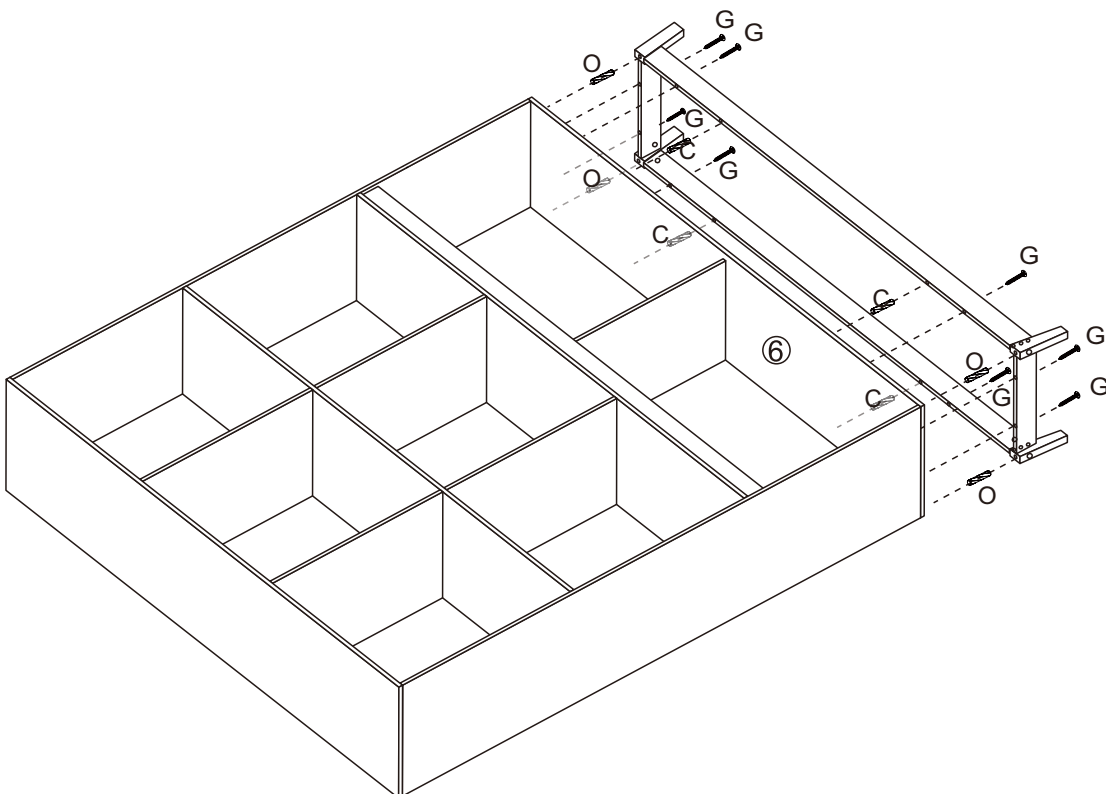
## STEP 13.

Insert wooden dowels (C) and nuts (E-2) into parts 13, as shown.  
Fix parts 11 and 12 to parts 13 using bolts (E-1) and allen key (P), as shown.



## STEP 14.

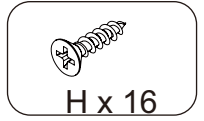
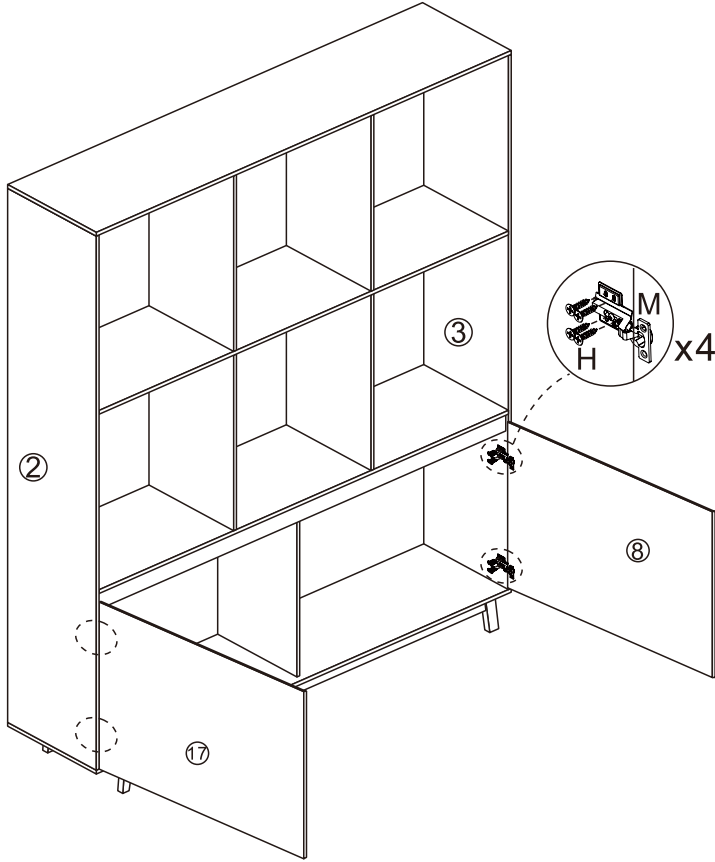
Insert wooden dowels (C) and (O) into part 6.  
Fix assembled legs to part 6 using screws (G), as shown.



# ASSEMBLY STEPS

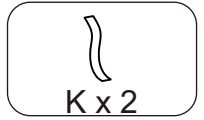
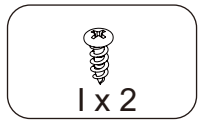
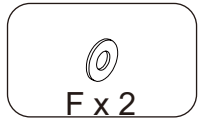
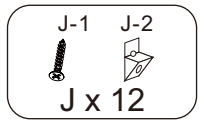
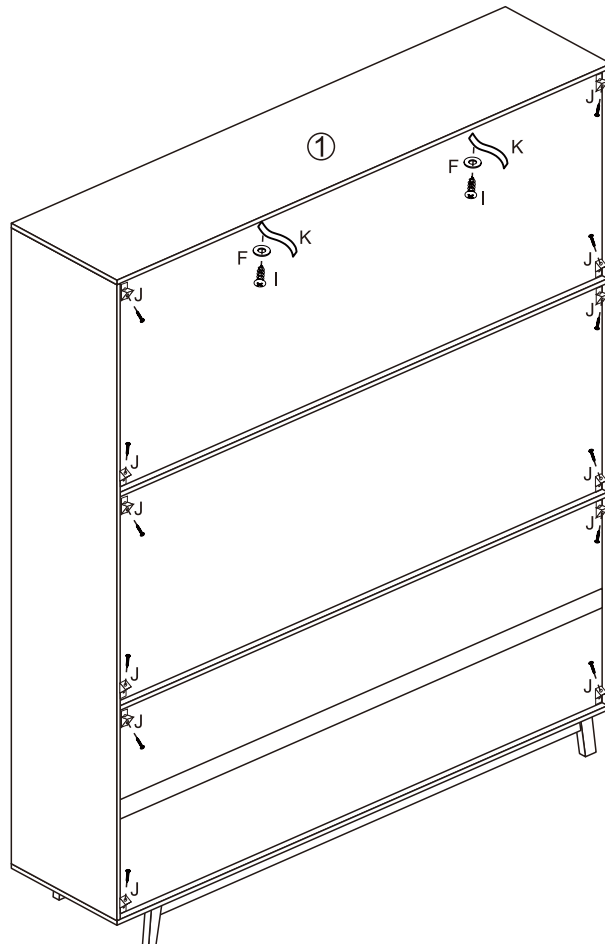
## STEP 15.

Fix doors 8 and 17 to assembled unit using hinges and screws (H), as shown.



## STEP 16.

Fix wall starps (K) on to part 1 using washers (F) and screws (I), as shown.  
Fix corner brackets (J-2) to the back of assembled unit using screws (J-1), as shown.



# ASSEMBLY STEPS

## STEP 17.

For extra stability, you must fix your bookshelf to the wall using hardware (D, F and L), as shown. Screws (D) are fixed through washers (F) and wall straps and into the wall plugs (L). Should you choose not to affix the product to the wall, serious injury may be caused if the product tips over.

