




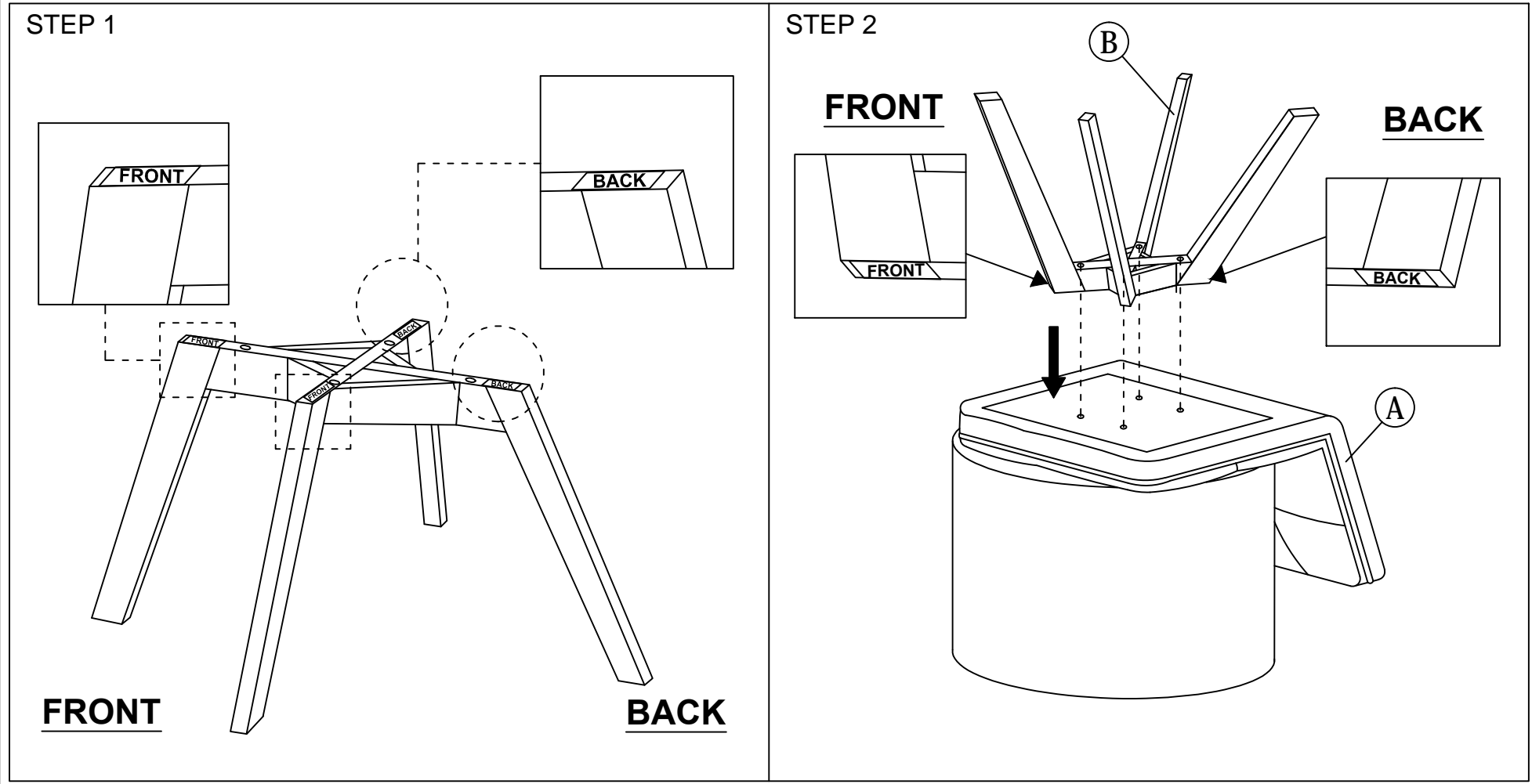
Read this instruction carefully. See hardware and furniture part list for guidance. Be sure all parts are complete, before you assemble. Place all wooden furniture parts on a clean and flat soft surface to prevent from being scratched. Follow the figure to start assembling.

**CAUTIONS :** 1. Do not FULLY - TIGHTEN the nut or nut bolt until all nut or bolt is ready assembled.  
 2. Do not OVER - TIGHTEN the nut or bolt to avoid causing damages to the thread.  
 3. Keep all hardware parts out of reach of children.

**NOTE :** THE LIST AND QUANTITY SHOWN ARE FOR 1 UNIT ASSEMBLY.  
 Tool needed : Screwdriver & Rubber Mallet (not provided).

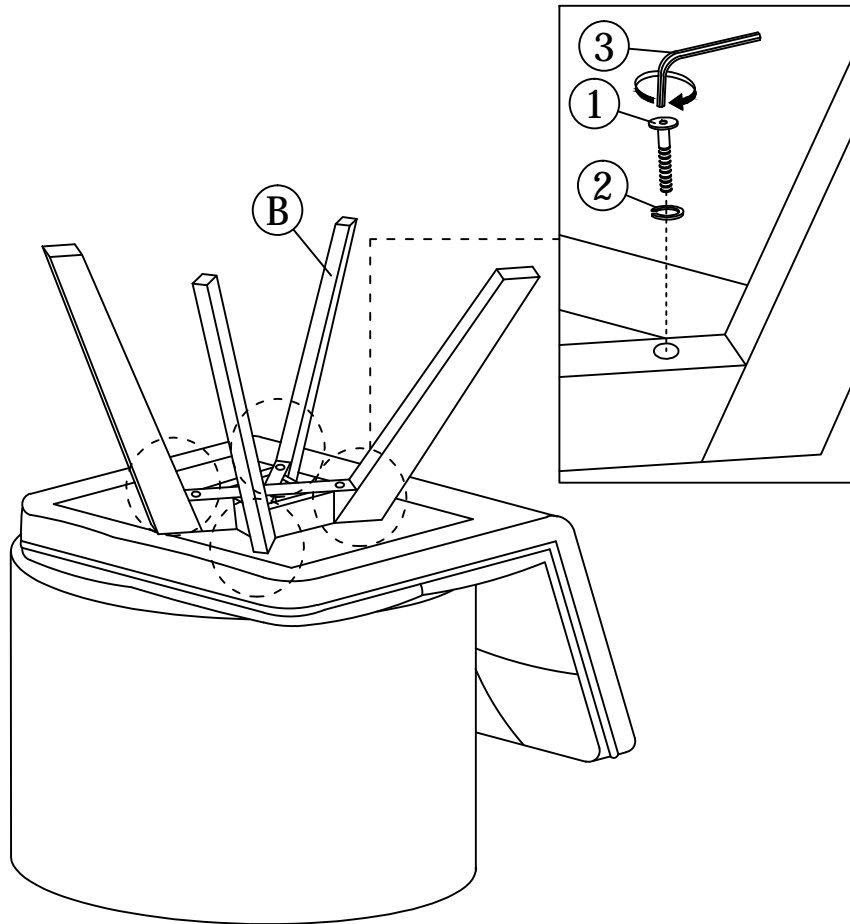
PART LIST			
ITEM	DESCRIPTION	BOX	QTY
A	CHAIR	1	1 PC
B	LEG	1	1 PC

HARDWARE LIST (BOX : 1)			
ITEM	DESCRIPTION		QTY
1	JCBC BOLT M6 x 70mm		4 PCS
2	M6 SPRING WASHER		4 PCS
3	M4 ALLEN KEY (BALL SHAPE)		1 PC



# ASSEMBLY INSTRUCTIONS

## STEP 3



## STEP 4

