




Read this instruction carefully. See hardware and furniture part list for guidance. Be sure all parts are complete, before you assemble. Place all wooden furniture parts on a clean and flat soft surface to prevent from being scratched. Follow the figure to start assembling.

CAUTIONS : 1. Do not FULLY - TIGHTEN the nut or nut bolt until all nut or bolt is ready assembled.
 2. Do not OVER - TIGHTEN the nut or bolt to avoid causing damages to the thread.
 3. Keep all hardware parts out of reach of children.

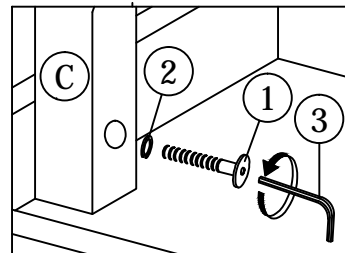
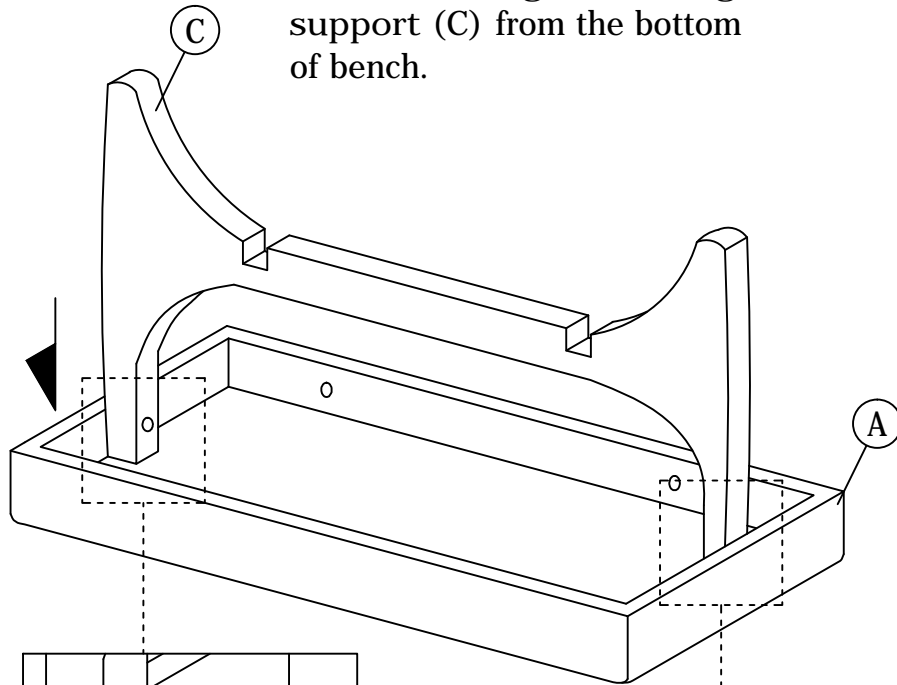
NOTE : THE LIST AND QUANTITY SHOWN ARE FOR 1 UNIT ASSEMBLY.

PART LIST			
ITEM	DESCRIPTION	BOX	QTY
A	BENCH	1	1 PC
B	LEGS	1	2 PCS
C	LEG SUPPORT	1	1 PC

HARDWARE LIST (BOX : 1)		
ITEM	DESCRIPTION	QTY
1	JCBB BOLT M8 x 50mm 	6 PCS
2	M8 SPRING WASHER 	6 PCS
3	M5 ALLEN KEY (BALL SHAPE) 	1 PC

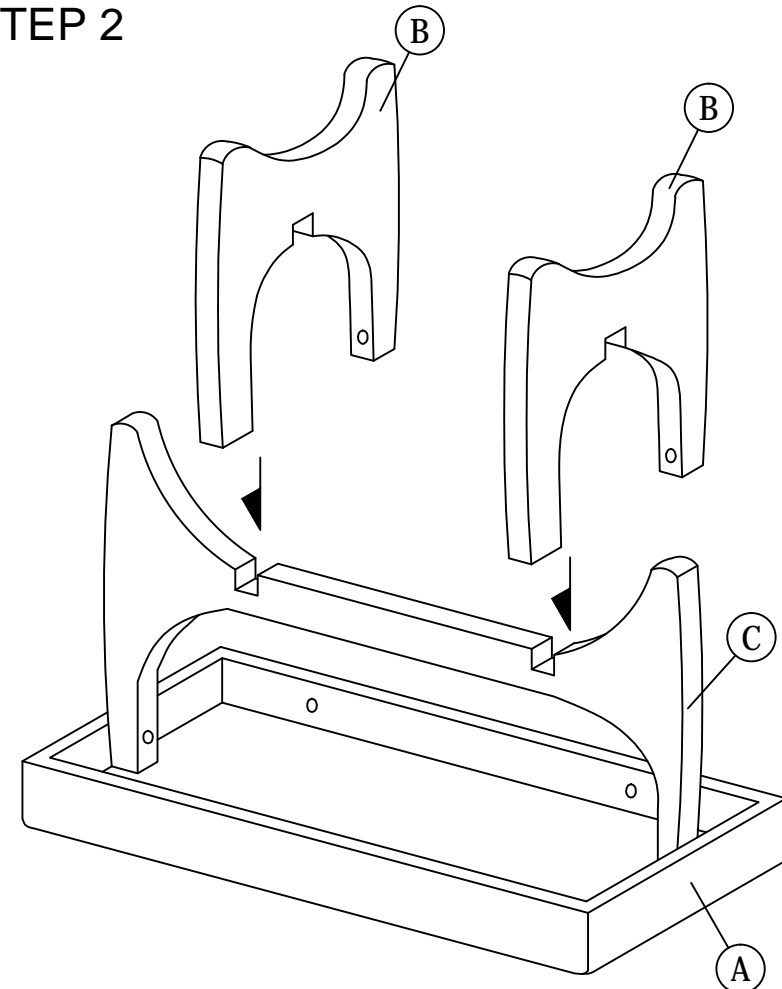
STEP 1

Take out the leg (B) and leg support (C) from the bottom of bench.



Don't screw tied

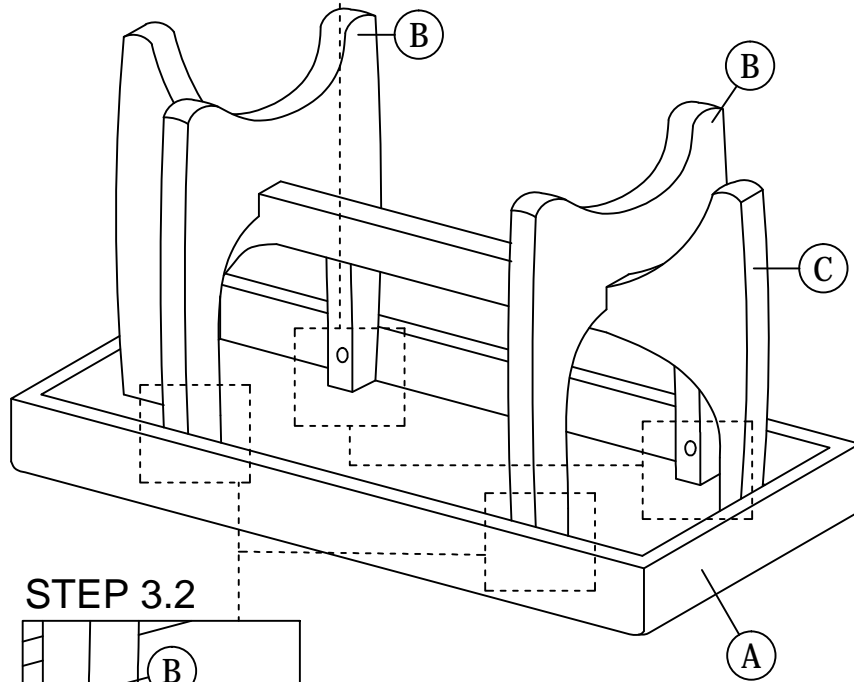
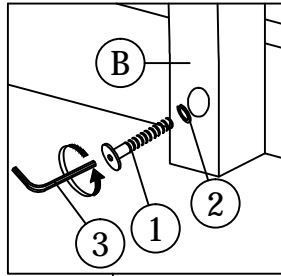
STEP 2



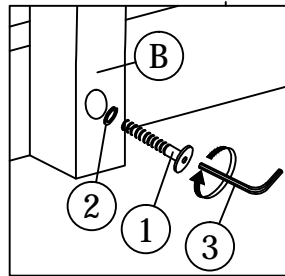
ASSEMBLY INSTRUCTIONS

STEP 3

STEP 3.1



STEP 3.2



****Finish step 3,
Please screw tied the step 1 bolt.**

STEP 4

