

Read this instruction carefully. See hardware and furniture part list for guidance. Be sure all parts are complete, before you assemble. Place all wooden furniture parts on a clean and flat soft surface to prevent from being scratched. Follow the figure to start assembling.

**CAUTIONS :** 1. Do not FULLY - TIGHTEN the nut or nut bolt until all nut or bolt is ready assembled.  
2. Do not OVER - TIGHTEN the nut or bolt to avoid causing damages to the thread.  
3. Keep all hardware parts out of reach of children.

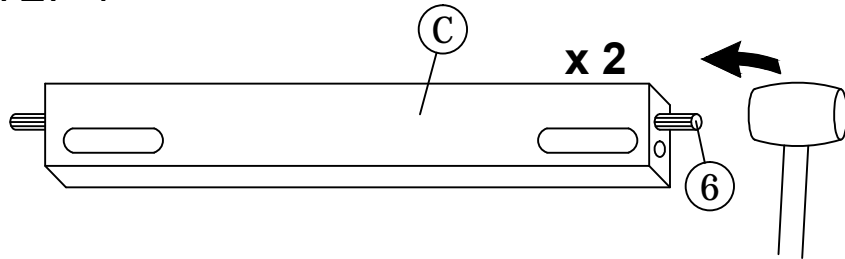
**NOTE :** THE LIST AND QUANTITY SHOWN ARE FOR 1 UNIT ASSEMBLY.

Tool needed : Rubber Mallet (not provider).

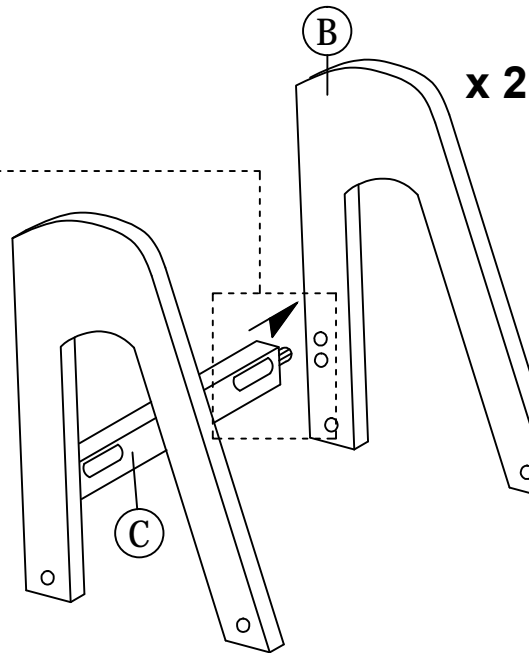
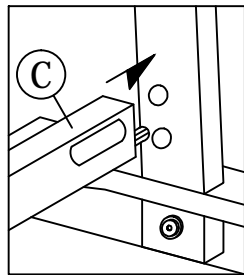
PART LIST			
ITEM	DESCRIPTION	BOX	QTY
A	BENCH	1	1 PC
B	LEGS	1	4 PCS
C	LEG SUPPORT	1	2 PCS

HARDWARE LIST (BOX : 1)		
ITEM	DESCRIPTION	QTY
1	JCBC BOLT M6 x 50mm 	4PCS
2	JCBB BOLT M8 x 50mm 	8 PCS
3	M6 SPRING WASHER 	4 PCS
4	M8 FLAT WASHER 	8 PCS
5	M8 SPRING WASHER 	8 PCS
6	WOOD DOWEL M8 x 30mm 	4 PCS
7	M4 ALLEN KEY (BALL SHAPE) 	1 PC
8	M5 ALLEN KEY (BALL SHAPE) 	1 PC

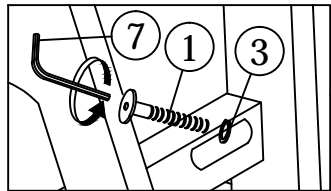
## STEP 1



### STEP 1.1

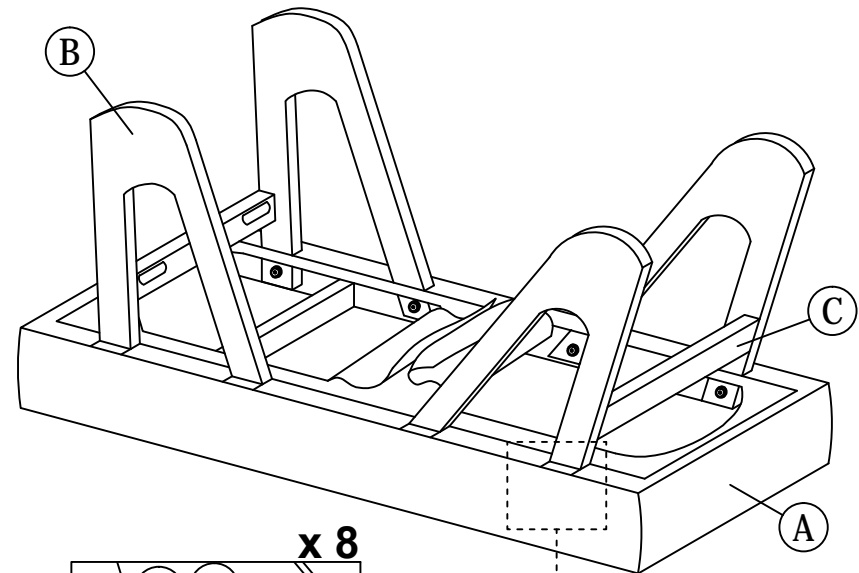


### STEP 1.2



Don't screw tied

## STEP 2



**\*\*Finish step 2,  
Please screw tied the step 1 bolt.**

## STEP 3

