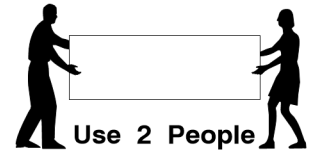
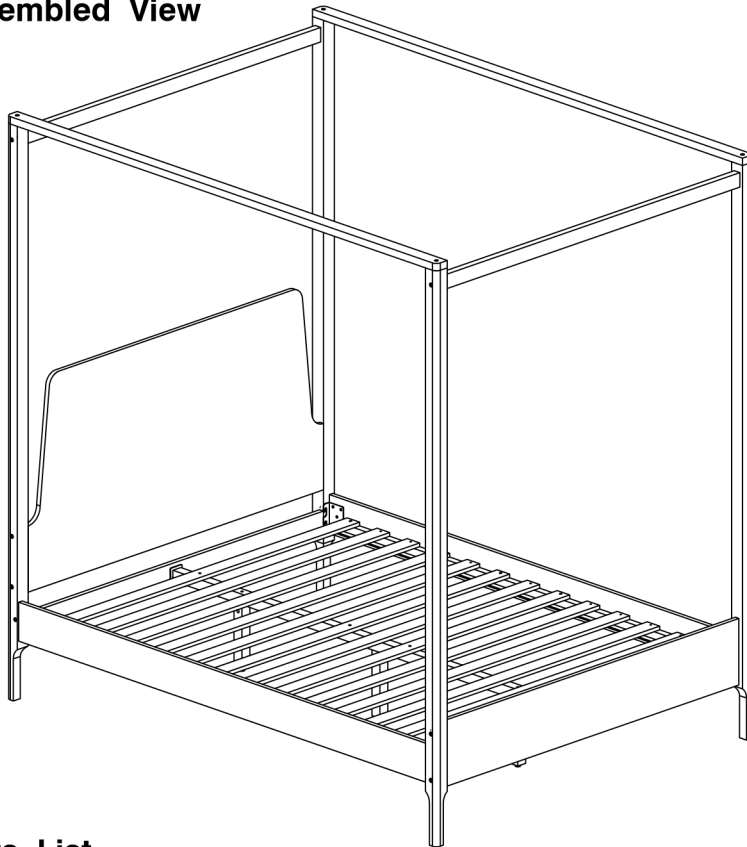


0103-2 Canopy Queen Bed

Assembly Instructions

WI-0522

1 Assembled View



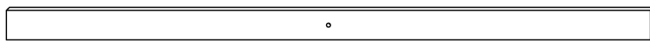
Note: Do not assemble using power tools. This can cause the bolts to be overtightened

2 Parts List

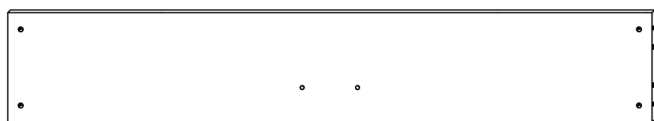
Parts in Box A:



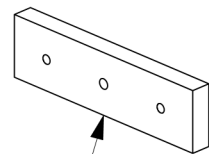
A Headboard Panel x 1



B Headboard Support x 1



C Footboard Panel x 1



D Footboard Support Bar x 1

0103-2 Canopy Queen Bed

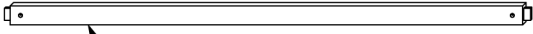
Assembly Instructions

WI-0522

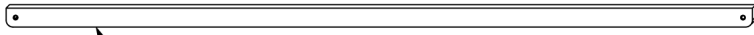
2 Parts List

Parts in Box

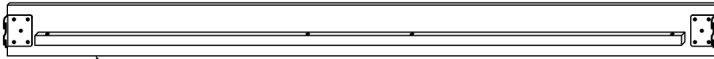
B:



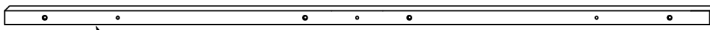
E Top Bar (Short) x 2



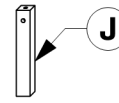
F Top Bar (Long) x 2



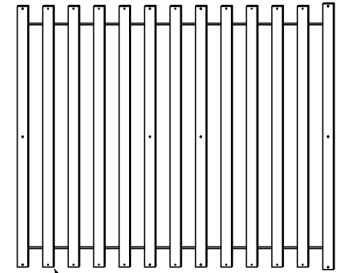
G Side Rail x 2



H Long Support x 1



J Support Leg x 3



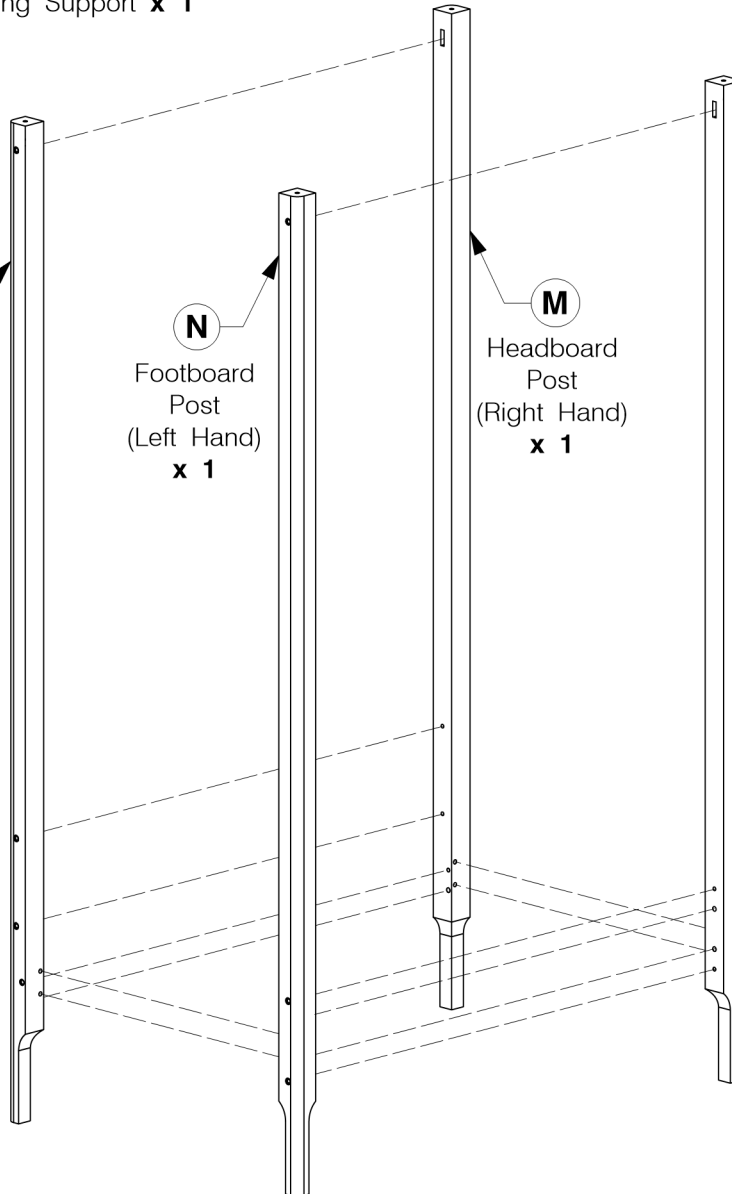
K Set of Bed Slats x 1

L Headboard Post (Left Hand) x 1

N Footboard Post (Left Hand) x 1

M Headboard Post (Right Hand) x 1

O Footboard Post (Right Hand) x 1



0103-2 Canopy Queen Bed

Assembly Instructions

WI-0522

3 Hardware List



1 M6 x 100mm JCB
x 14



2 M6 x 90mm JCB
x 3



3 M6 x 50mm JCB
x 4



4 M6 x 40mm JCB
x 12



5 M6 x 30mm JCB
x 2



6 M6 x 20mm JCB
x 8



7 M6 x 15mm JCB
x 4



8 Wood Dowel
(M10 x 40mm) x 6



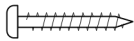
9 Barrel Nut
x 17



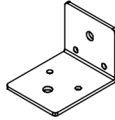
10 Spring Washer
x 8



11 Flat Washer
x 8



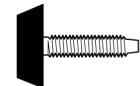
12 Wood Screw
(M4 x 32mm) x 18



13 Center Rail
Bracket x 2

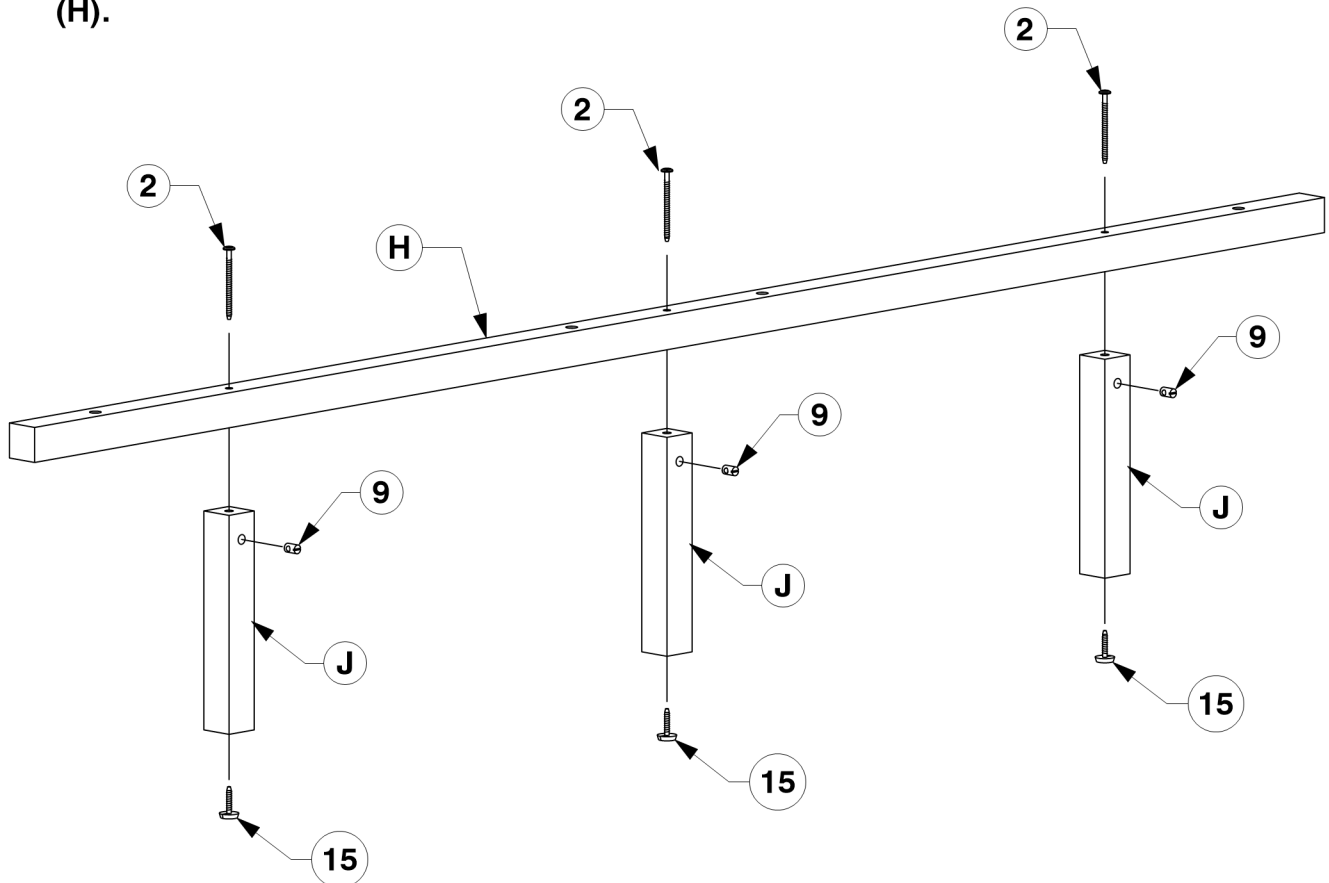


14 Allen Key
x 1



15 Adjustable
Foot x 3

4 Assemble the Support Leg (J) to the Long Support (H).

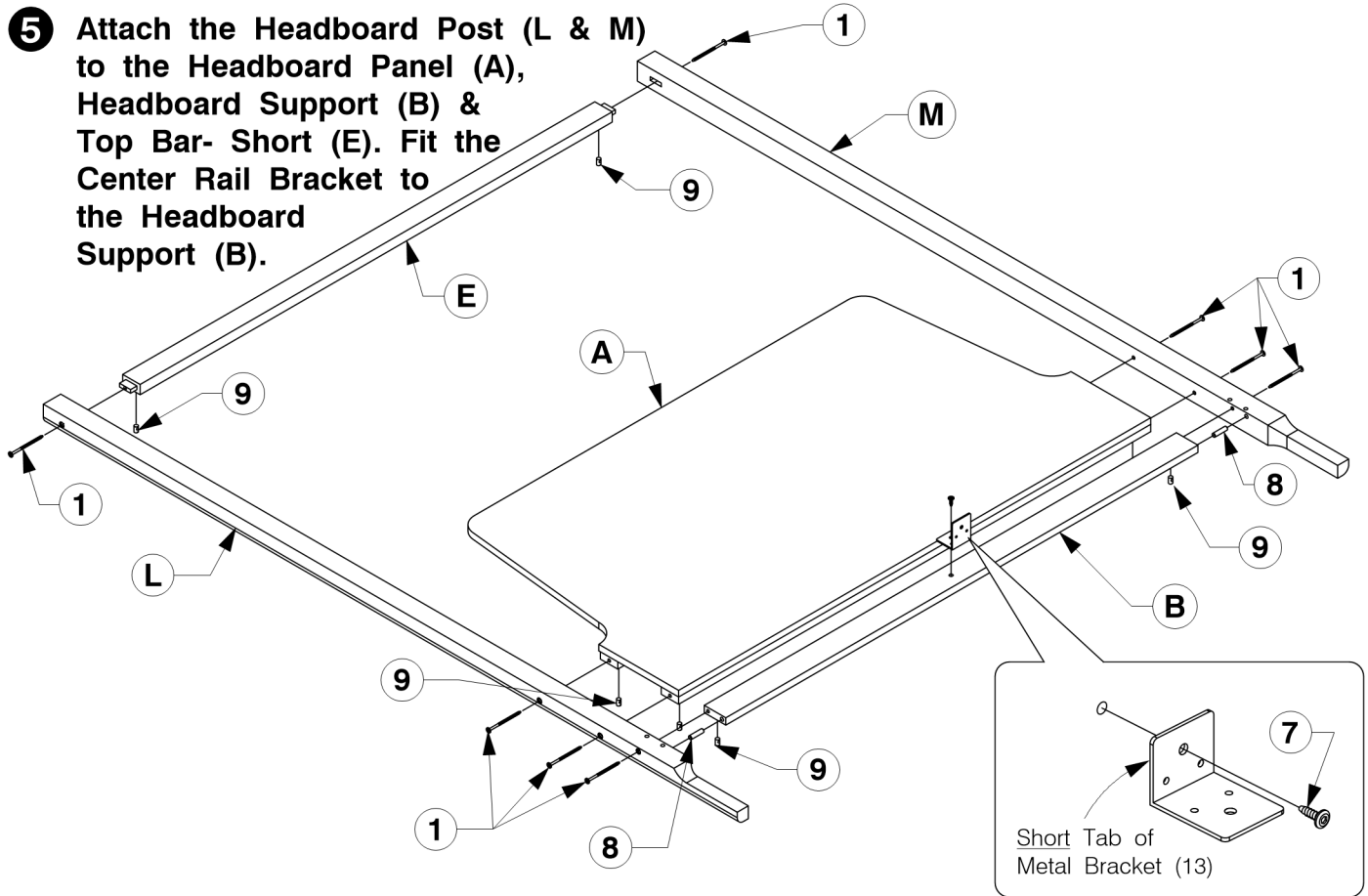


0103-2 Canopy Queen Bed

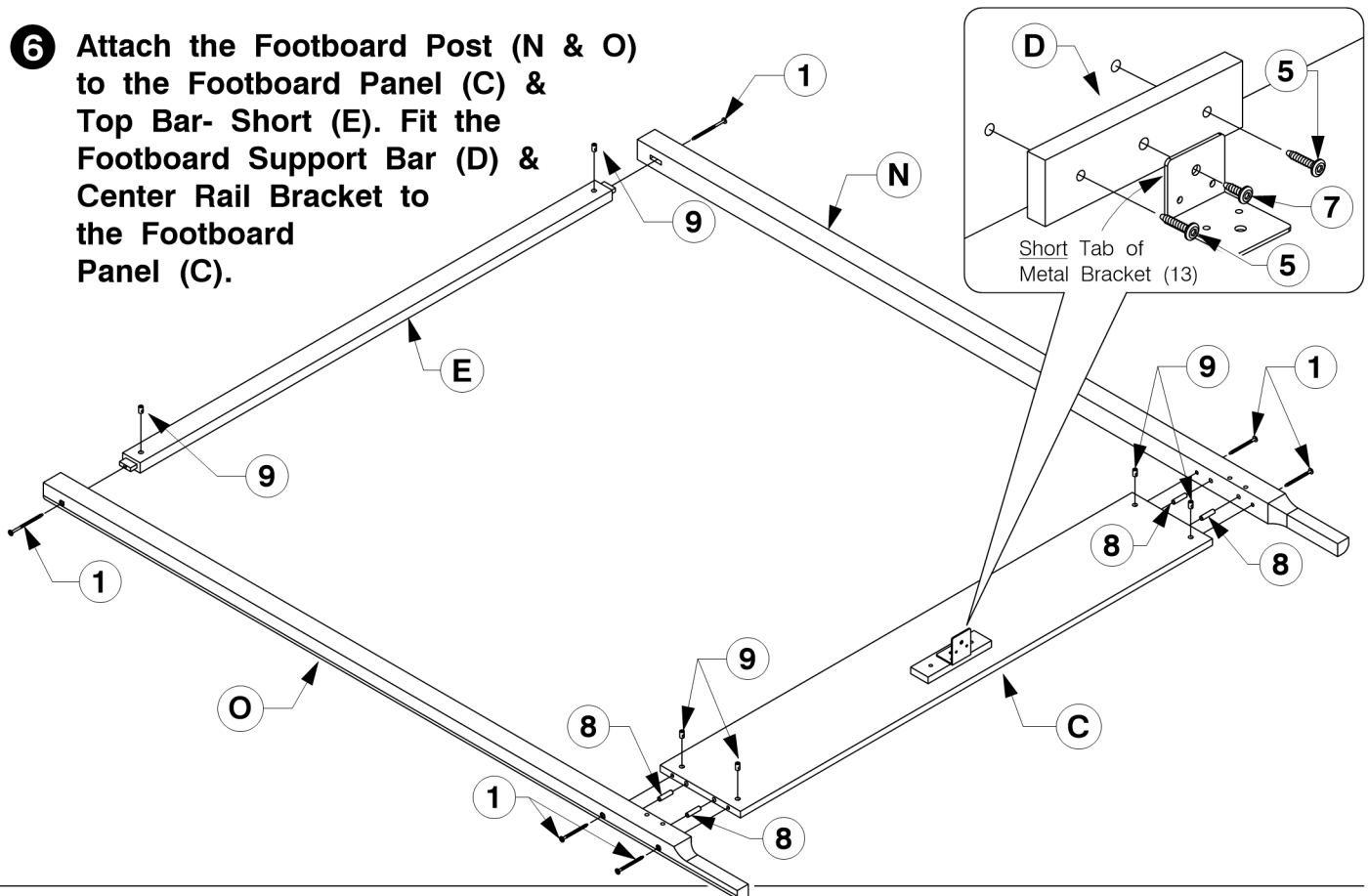
Assembly Instructions

WI-0522

- 5** Attach the Headboard Post (L & M) to the Headboard Panel (A), Headboard Support (B) & Top Bar- Short (E). Fit the Center Rail Bracket to the Headboard Support (B).



- 6** Attach the Footboard Post (N & O) to the Footboard Panel (C) & Top Bar- Short (E). Fit the Footboard Support Bar (D) & Center Rail Bracket to the Footboard Panel (C).

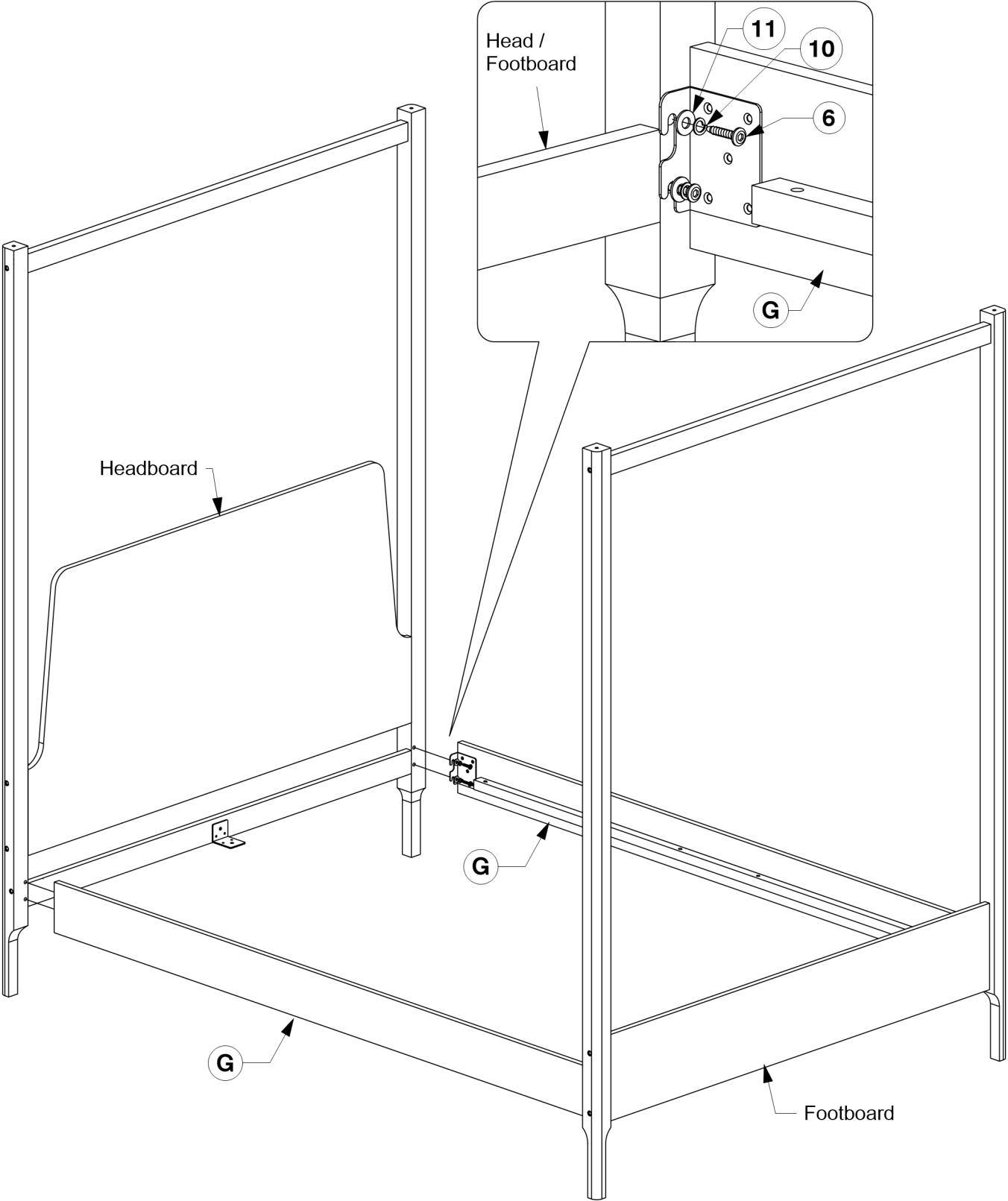


0103-2 Canopy Queen Bed

Assembly Instructions

WI-0522

7 Assemble the Side Rail (G) to the Head / Footboard.

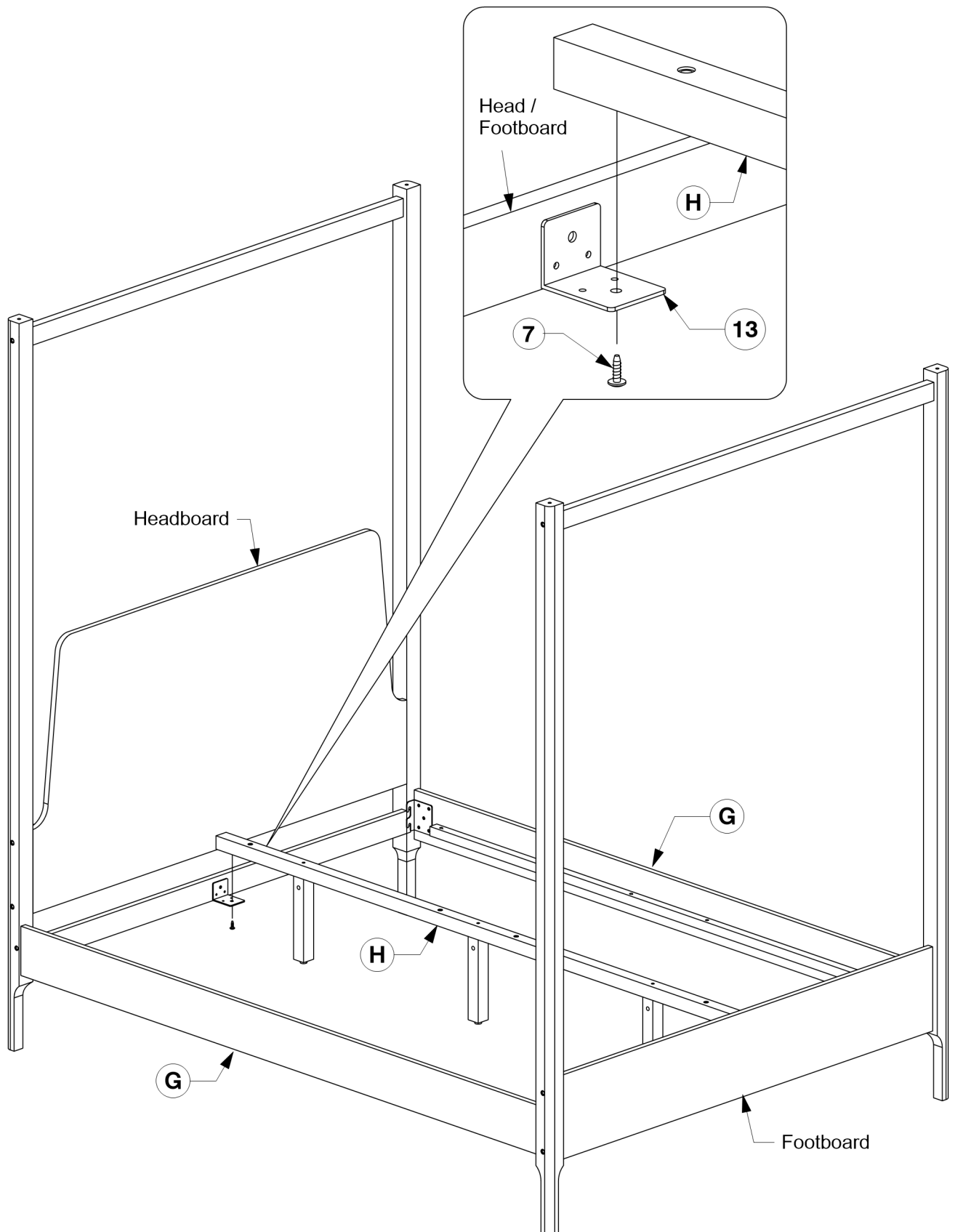


0103-2 Canopy Queen Bed

Assembly Instructions

WI-0522

- 8** Bolt the Long Support (H) to the Center Rail Brackets on the Head / Footboard.

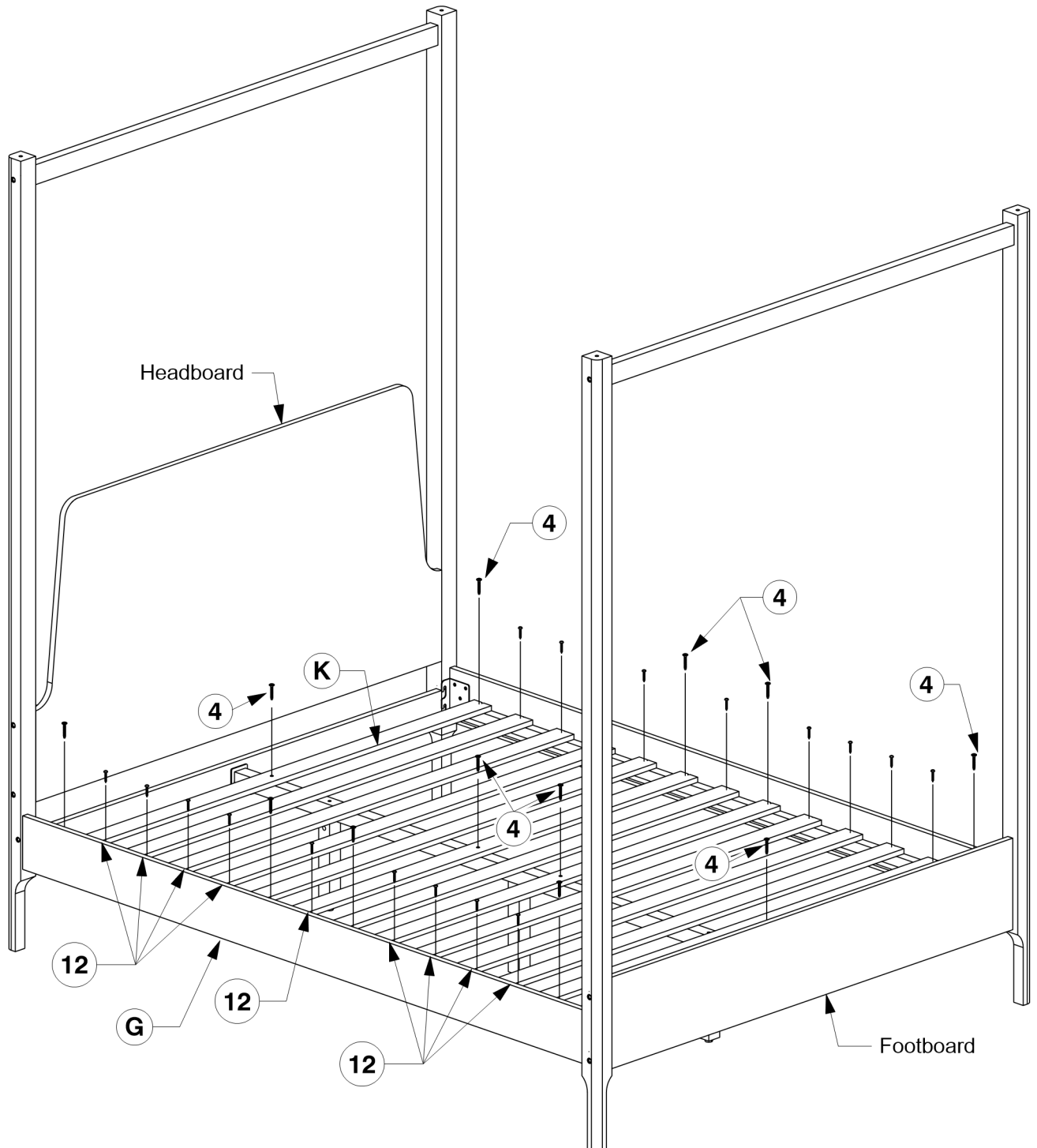


0103-2 Canopy Queen Bed

Assembly Instructions

WI-0522

- 9** Bolt & screw the Bed Slats (K) to the Side Rail (G).



0103-2 Canopy Queen Bed

Assembly Instructions

WI-0522

- 10** Fit the Top Bar- Long (F) on top of the Head / Footboard Post.

