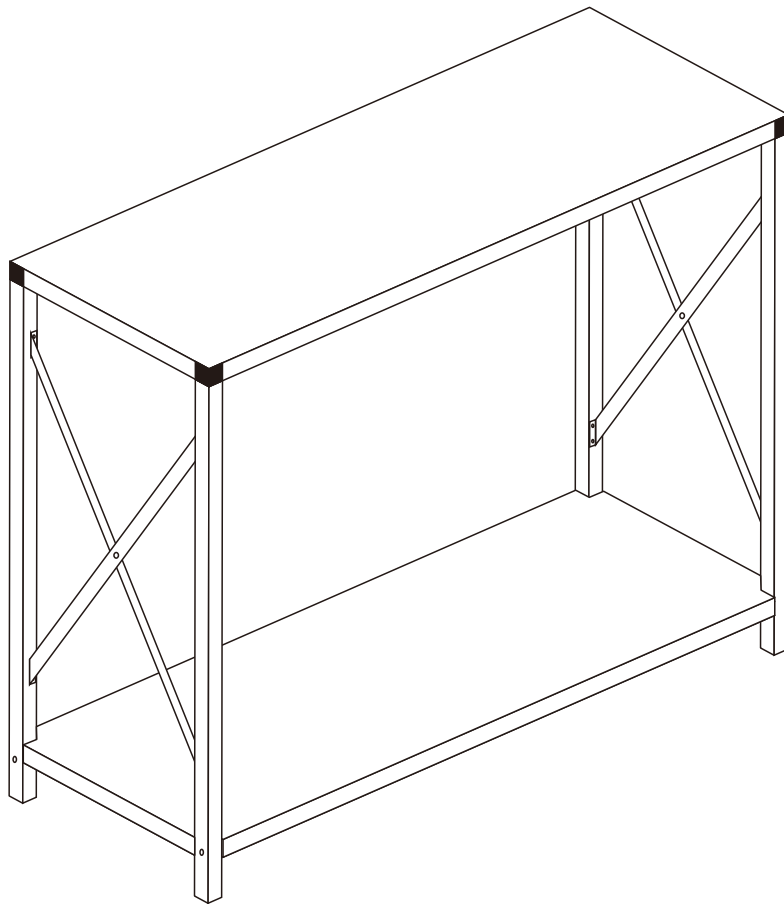



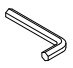
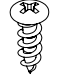
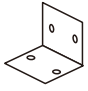

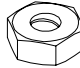







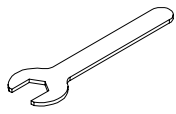


Console table

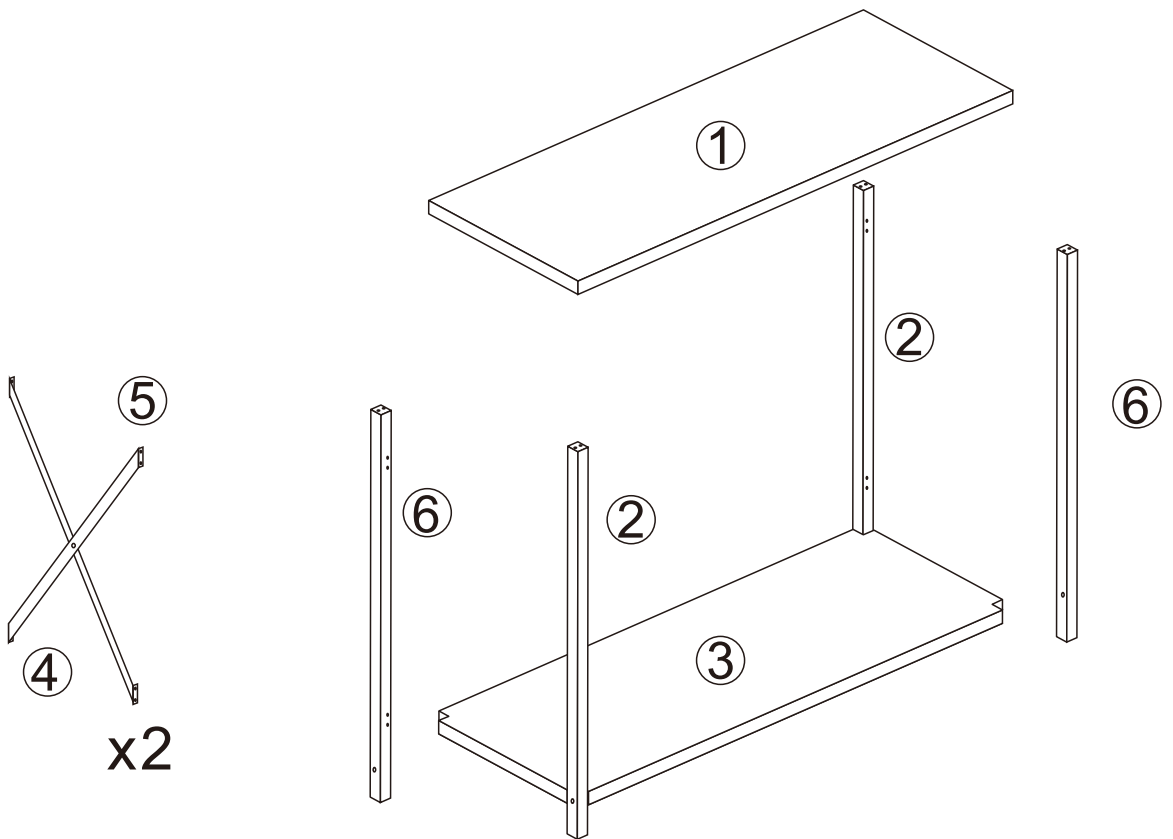


ASSEMBLY INSTRUCTION

HARDWARE LIST

A 4 PCS		B 4 PCS		C 4 PCS		D 1 PC		E 88 PCS	
F 16 PCS		G 2 PCS		H 2 PCS		I 4 PCS		J 4 PCS	
K 2 PCS		L 2 PCS		M 4 PCS		N 2 PC		O 2 PCS	
P 1 PC									

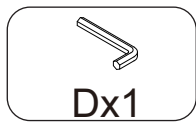
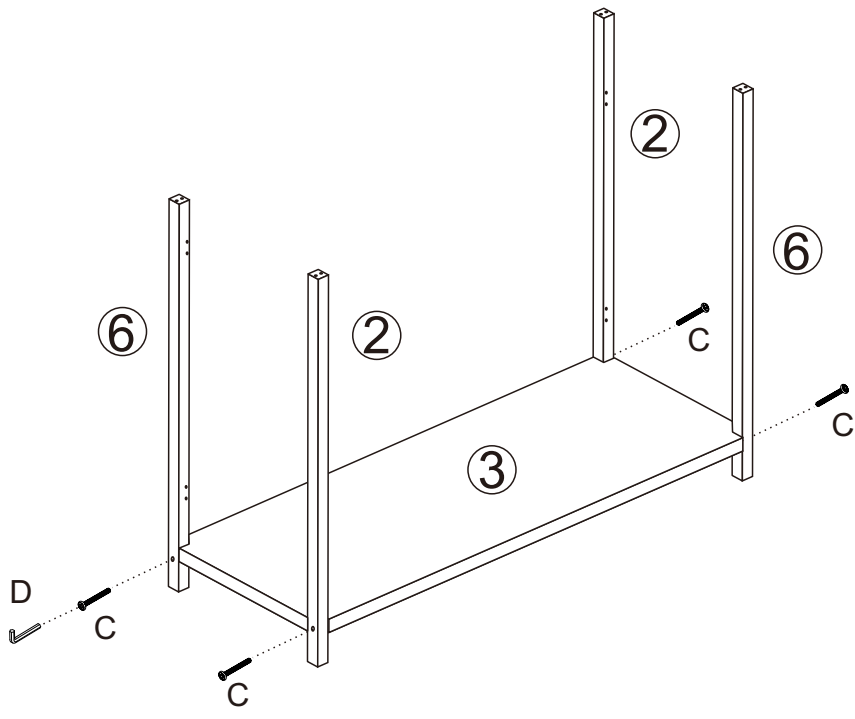
PARTS LIST



ASSEMBLY STEPS

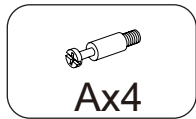
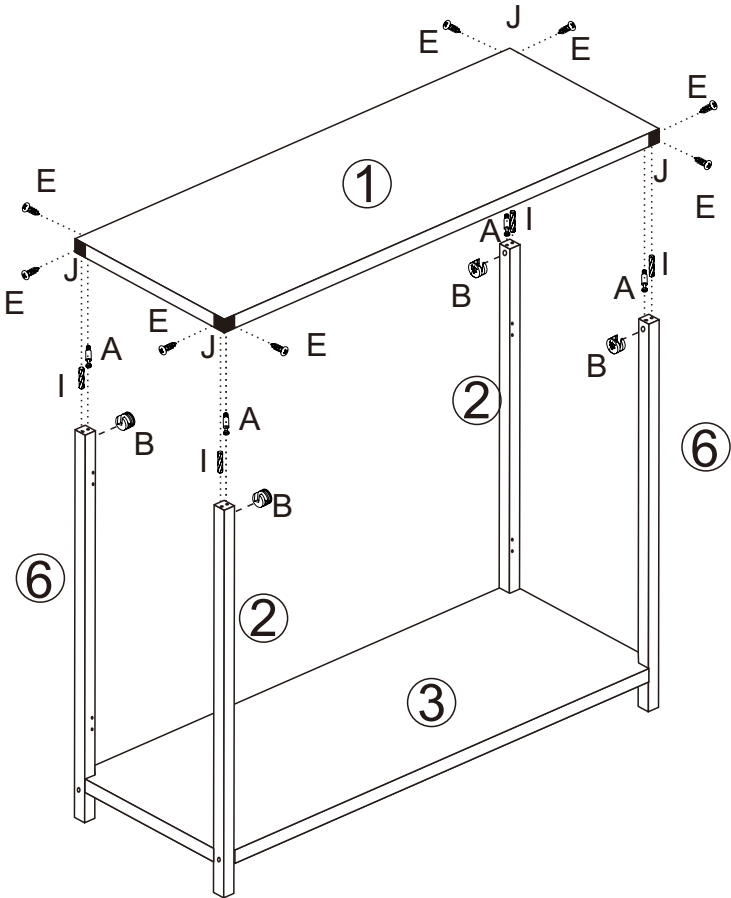
STEP 1.

Fix parts 2 and 6 to part 3 using screws (C) and allen key (D), as shown.



STEP 2.

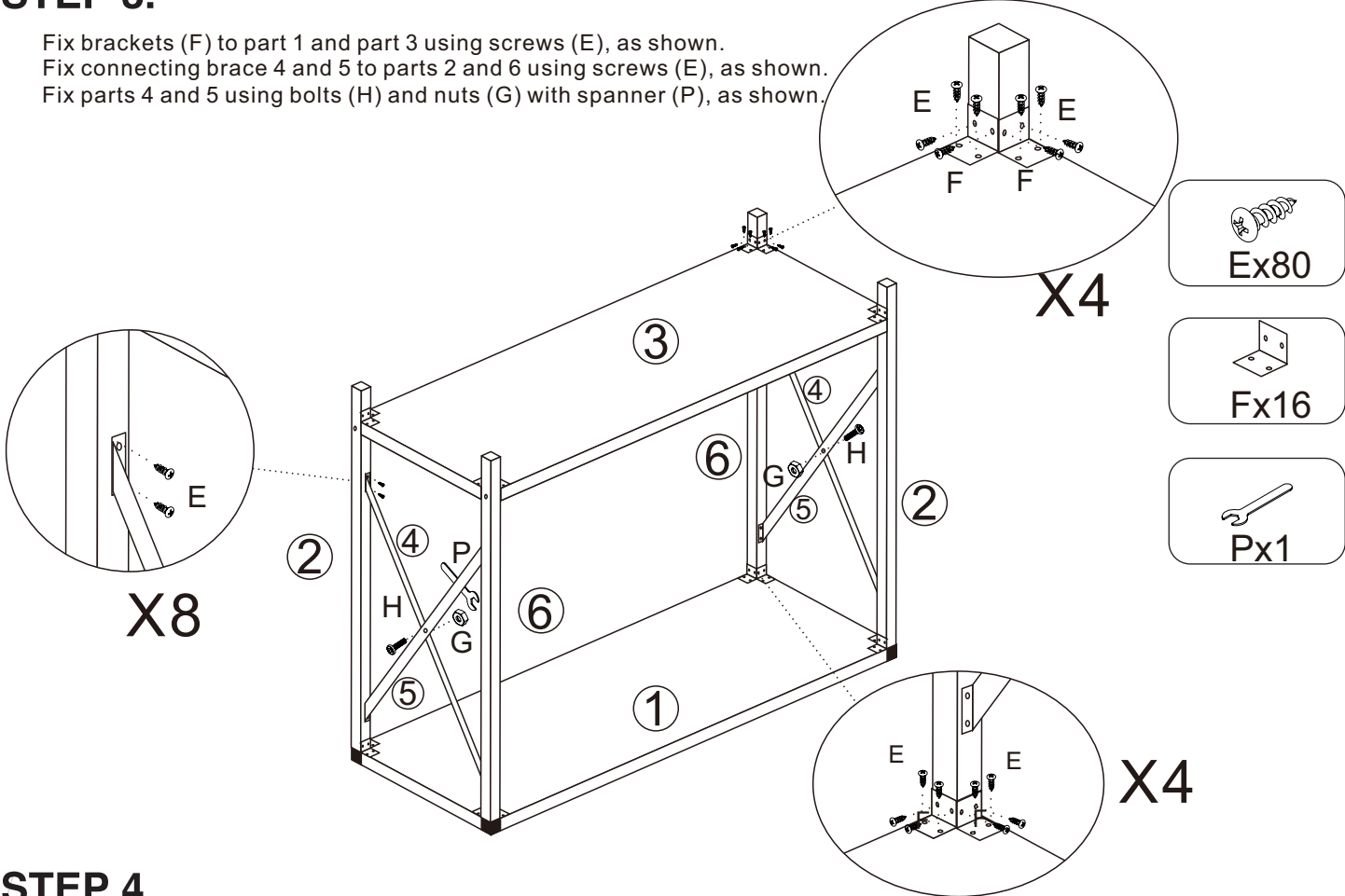
Insert quickfit screws (A) into part 1, as shown.
Insert cam locks (B) and wooden dowels (I) into parts 2 and 6, as shown.
Fit part 1 to part 2 and 6. Turn cam locks clockwise to tighten.
Fix brackets (J) to part 1 using screws (E), as shown.



ASSEMBLY STEPS

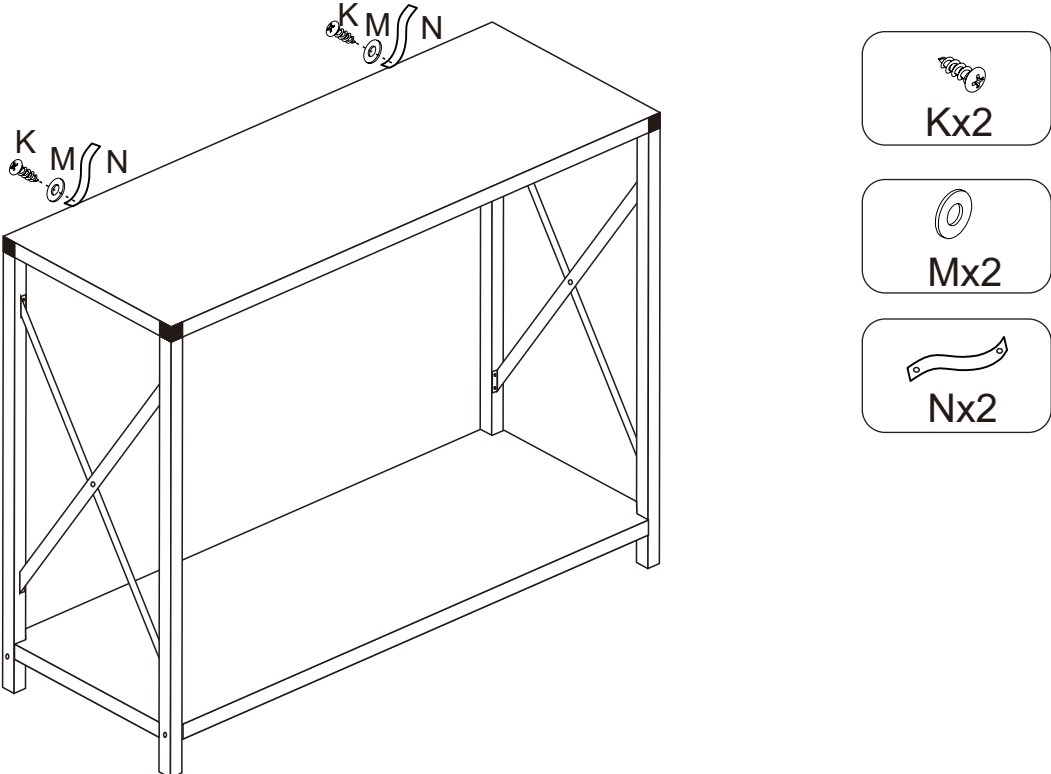
STEP 3.

Fix brackets (F) to part 1 and part 3 using screws (E), as shown.
 Fix connecting brace 4 and 5 to parts 2 and 6 using screws (E), as shown.
 Fix parts 4 and 5 using bolts (H) and nuts (G) with spanner (P), as shown.



STEP 4.

Fix wall straps (N) and washers (M) to part 1 using screws (K), as shown.



ASSEMBLY STEPS

STEP 5.

For extra stability, you must fix your Console table to the wall using hardware (M, L and O), as shown. Screws (O) are fixed through wall straps and washers (M) and into the wall plugs (L). Should you choose not to affix the product to the wall, serious injury may be caused if the product tips over.

