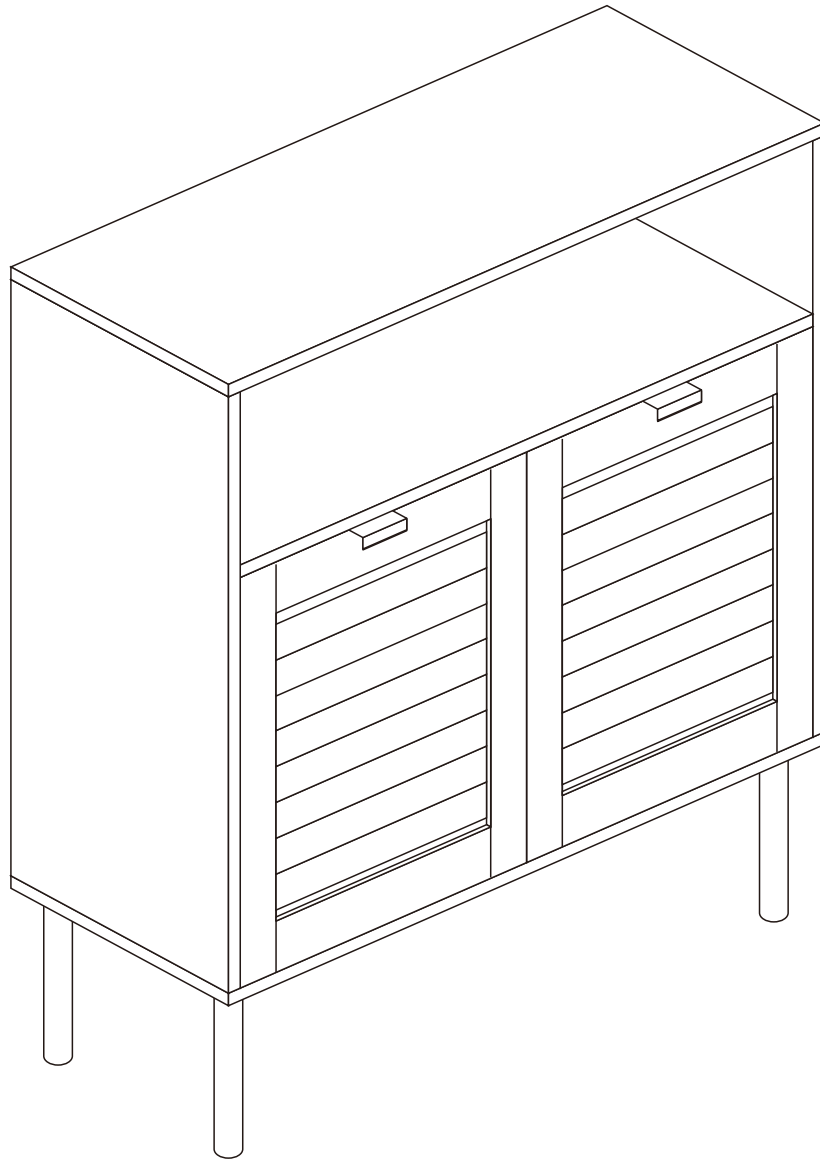


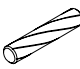
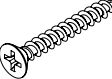


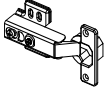
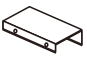








# Sideboard

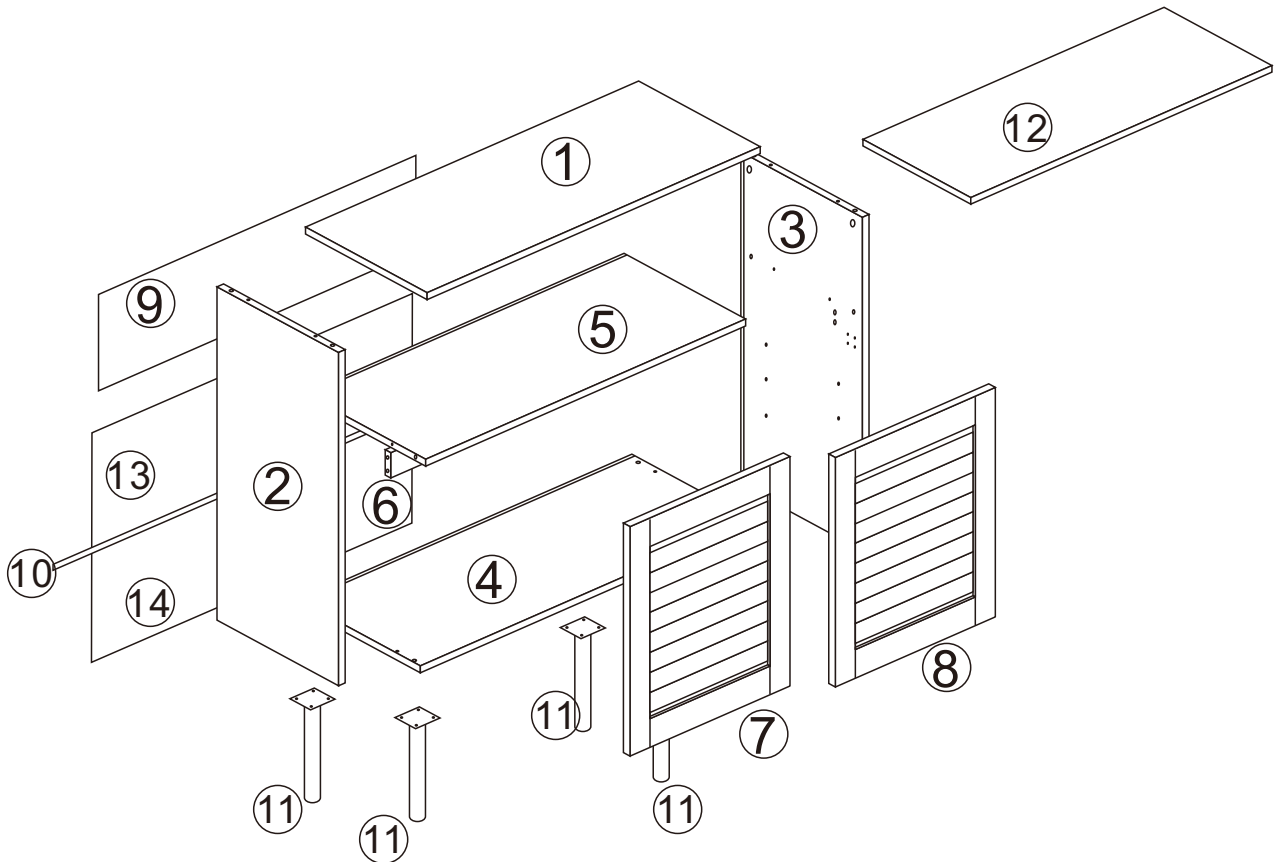


## ASSEMBLY INSTRUCTION

# HARDWARE LIST

<b>A</b> 10 PCS		<b>B</b> 10 PCS		<b>C</b> 16 PCS		<b>D</b> 8 PCS		<b>E</b> 4 PCS	
<b>F</b> 24 PCS		<b>G</b> 4 PCS		<b>H</b> 2 PCS		<b>I</b> 4 PCS		<b>J</b> 16 PCS	
<b>K</b> 2 PCS		<b>L</b> 2 PCS		<b>M</b> 4 PCS		<b>N</b> 2 PC			

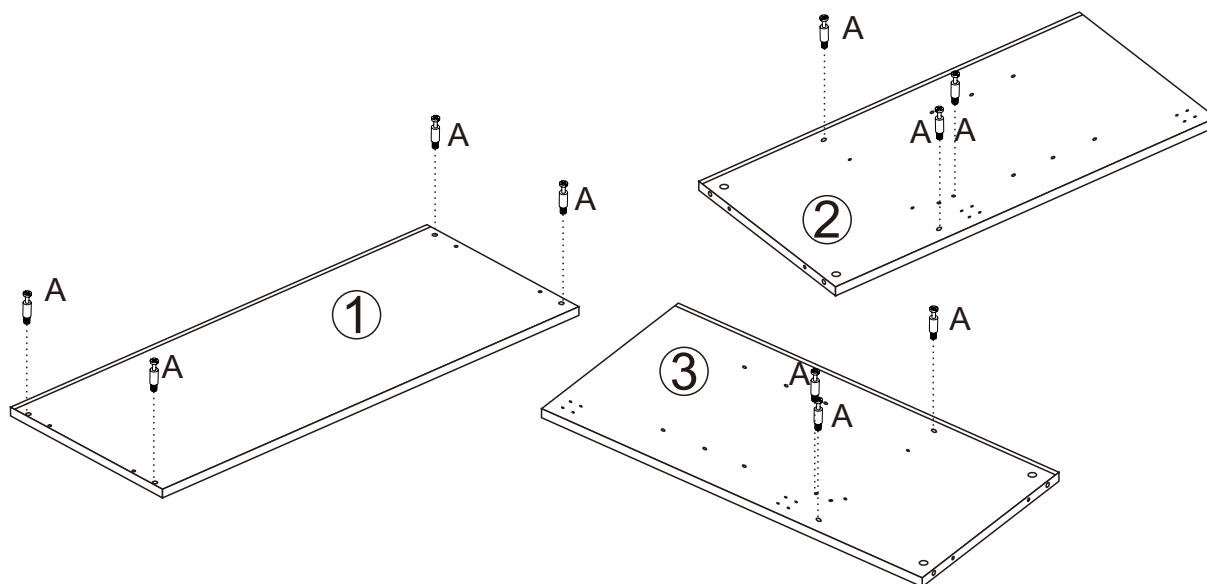
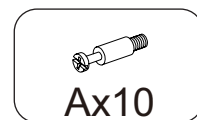
# PARTS LIST



# ASSEMBLY STEPS

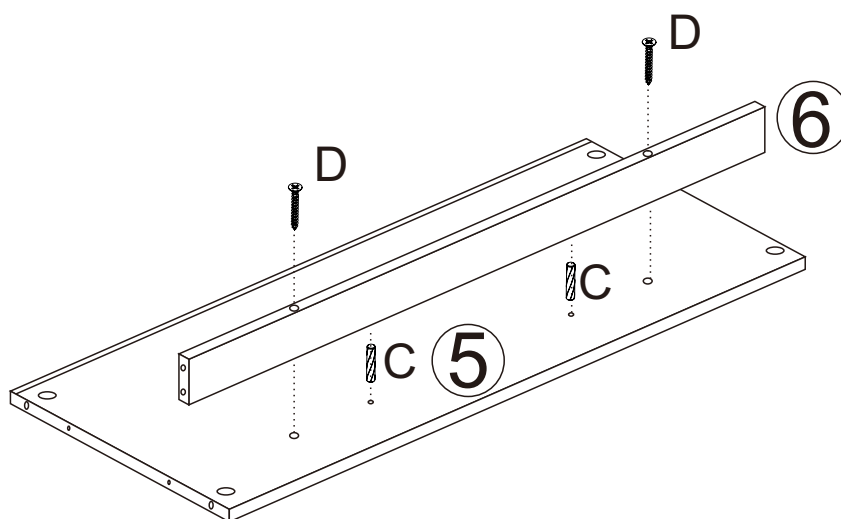
## STEP 1.

Insert quickfit screws (A) into parts 1, 2 and 3, as shown.



## STEP 2.

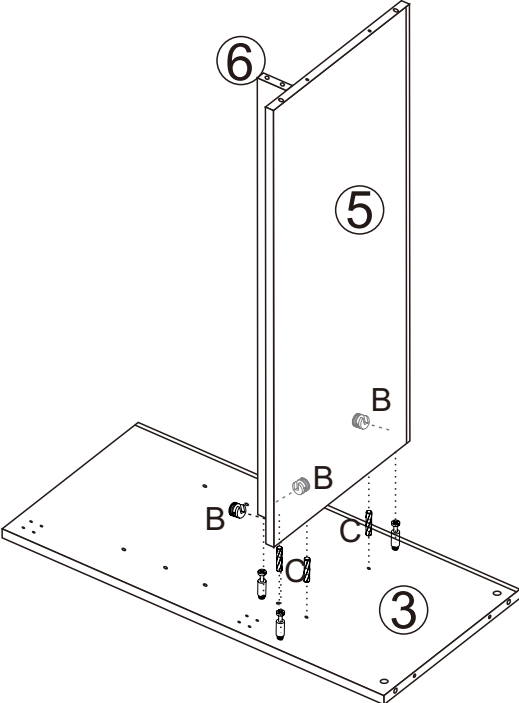
Attach part 6 to part 5 using wooden dowels (C) and screws (D), as shown.



# ASSEMBLY STEPS

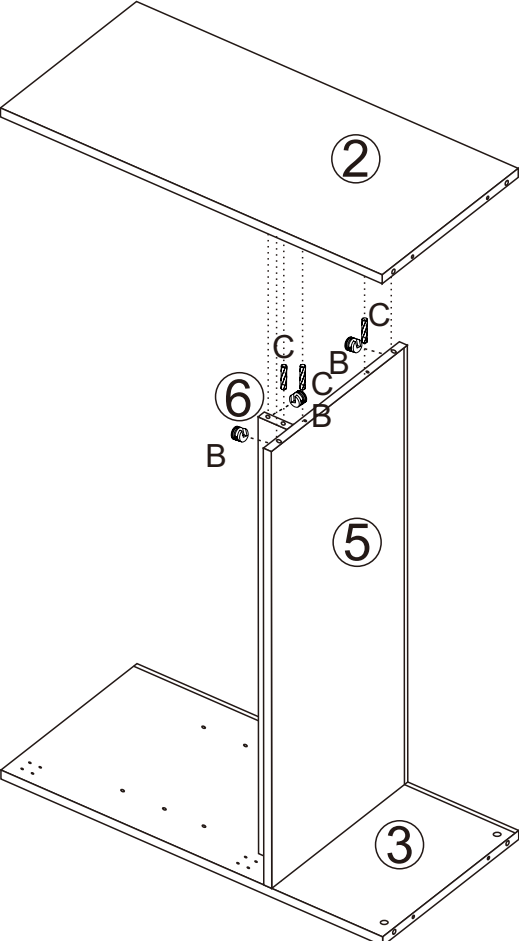
## STEP 3.

Insert cam locks (B) and wooden dowels (C) into parts 5 and 6, as shown. Fit parts 5 and 6 to part 3. Turn cam locks clockwise to tighten.



## STEP 4.

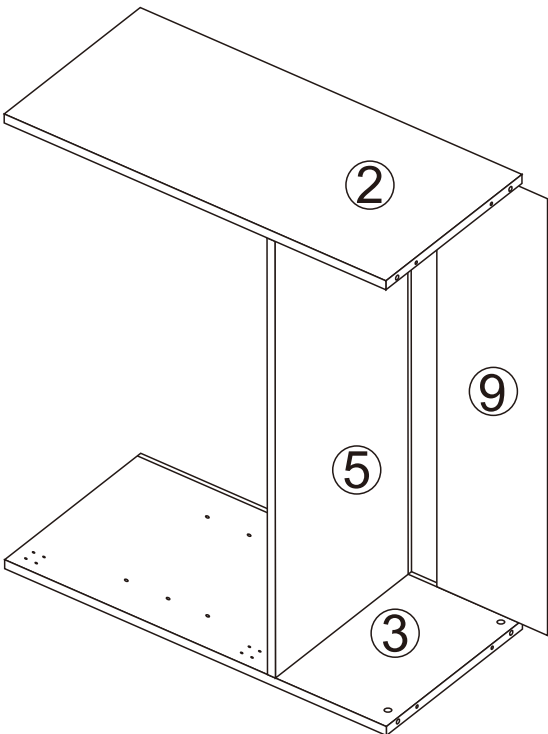
Insert cam locks (B) and wooden dowels (C) into parts 5 and 6, as shown. Fit part 2 to parts 5 and 6. Turn cam locks clockwise to tighten.



# ASSEMBLY STEPS

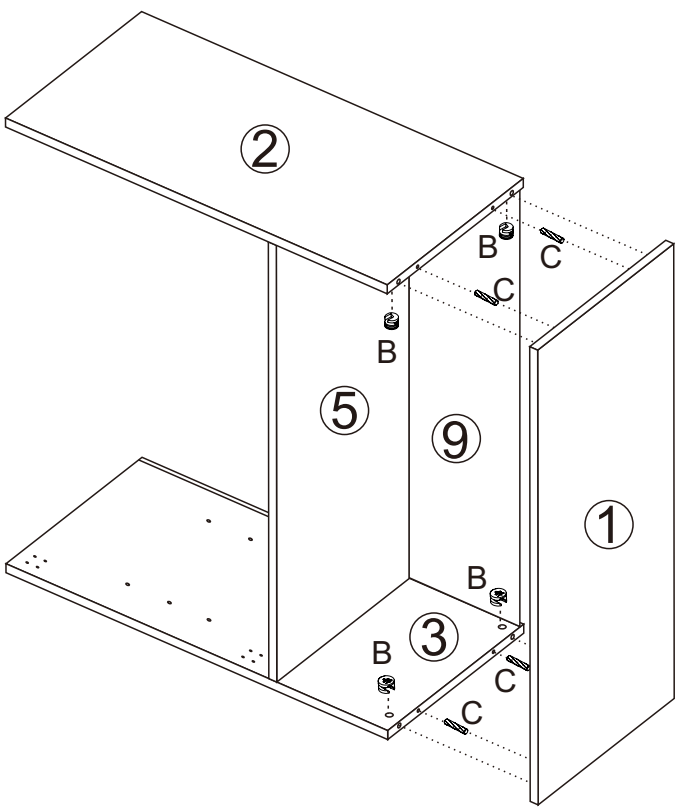
## STEP 5.

Slide part 9 into grooves between parts 2, 5 and 3, as shown.



## STEP 6.

Insert cam locks (B) and wooden dowels (C) into parts 2 and 3, as shown.  
Fit part 1 to parts 2 and 3, as shown.  
Turn cam locks clockwise to tighten.

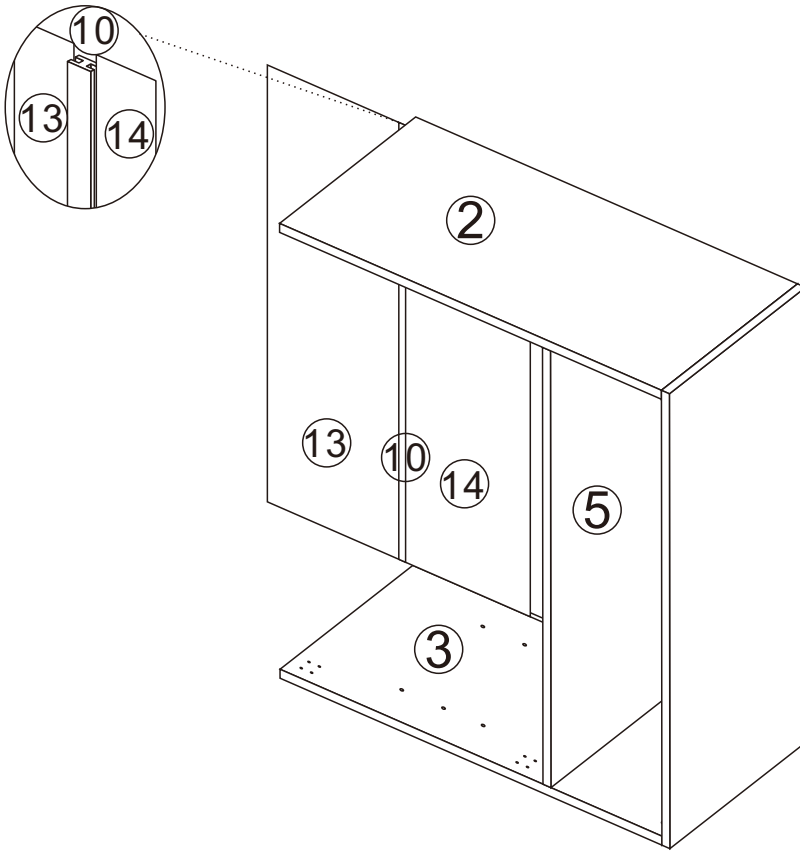


## ASSEMBLY STEPS

### STEP 7.

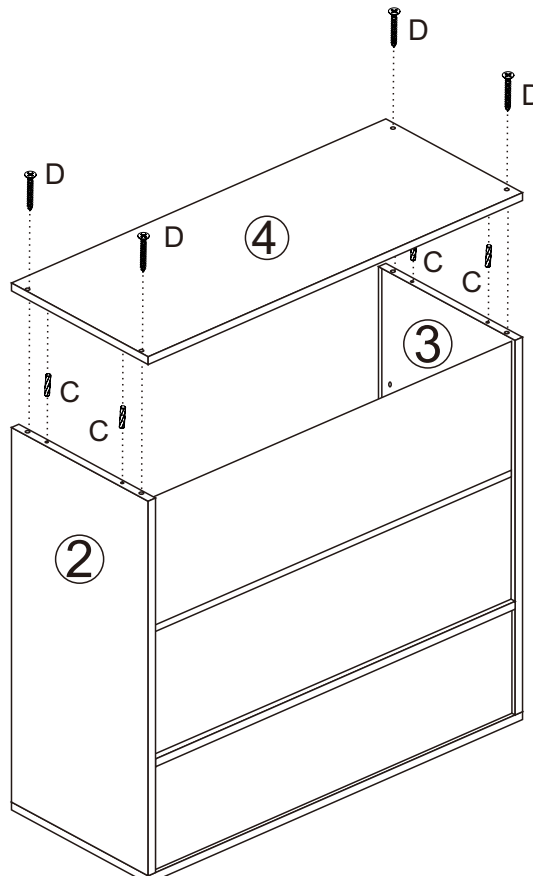
Insert parts 13 and 14 to part 10, as shown.

Slide parts 13 and 14 with part 10 into grooves between parts 2 and 3, as shown.



### STEP 8.

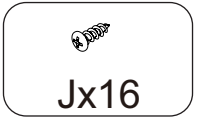
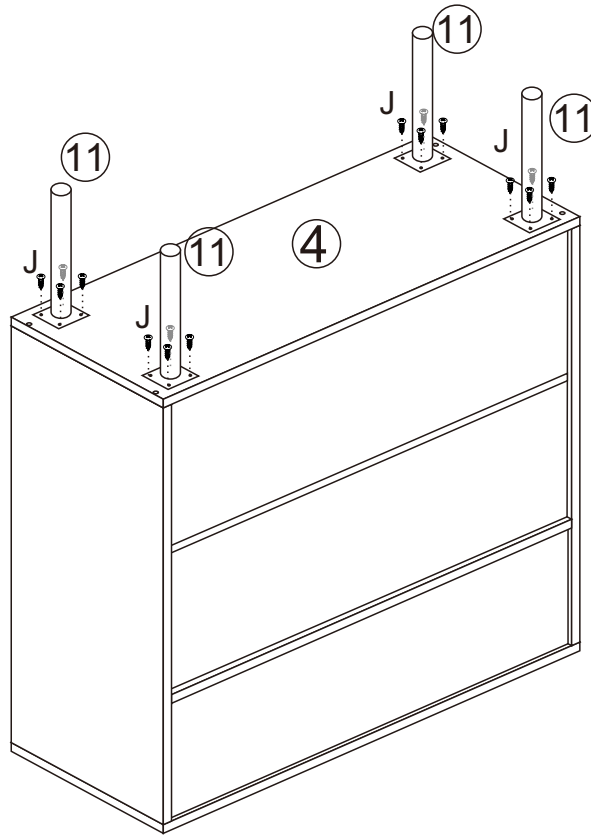
Fix part 4 to assembled unit with wooden dowels (C) and screws (D), as shown.



# ASSEMBLY STEPS

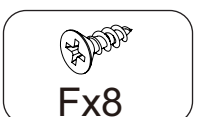
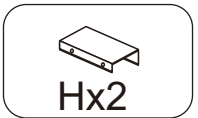
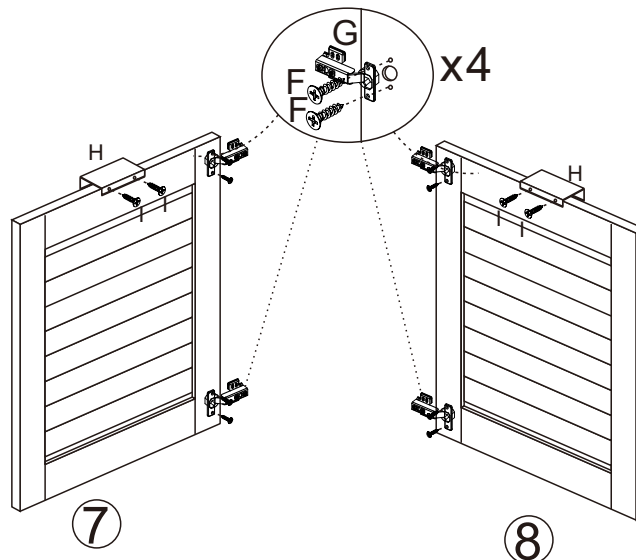
## STEP 9.

Fix legs 11 to part 4 using screws (J), as shown.



## STEP 10.

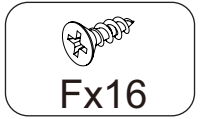
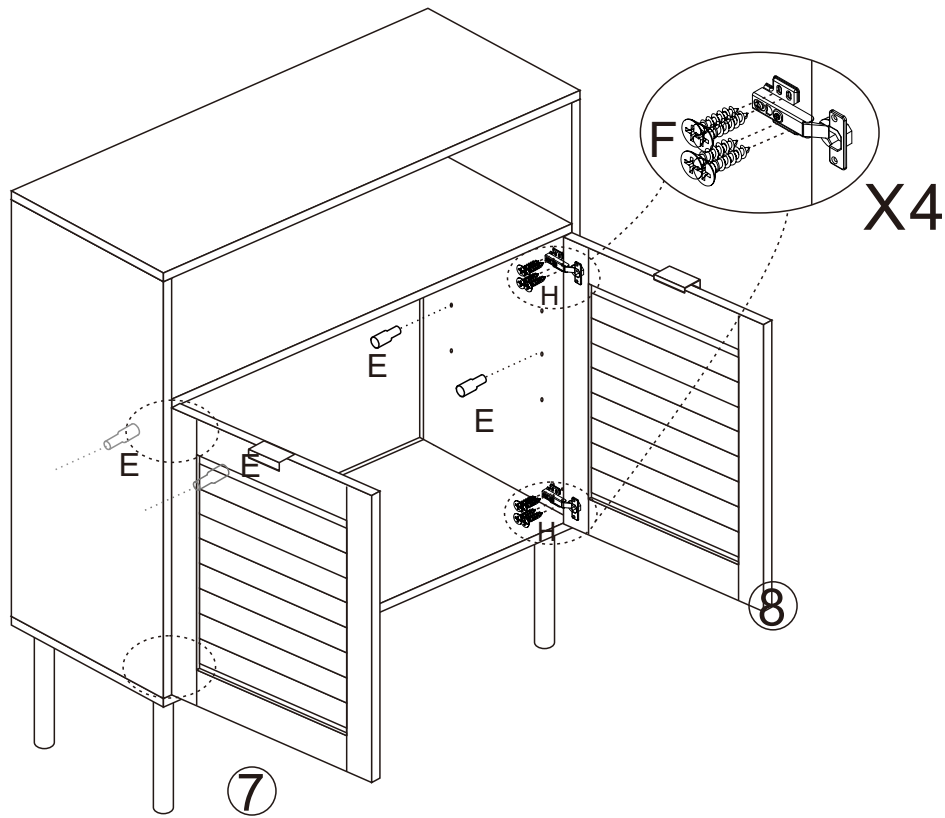
Fix hinges (G) to doors 7 and 8 using screws (F), as shown.  
Fix handles (H) to doors 7 and 8 using screws (I), as shown.



# ASSEMBLY STEPS

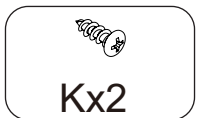
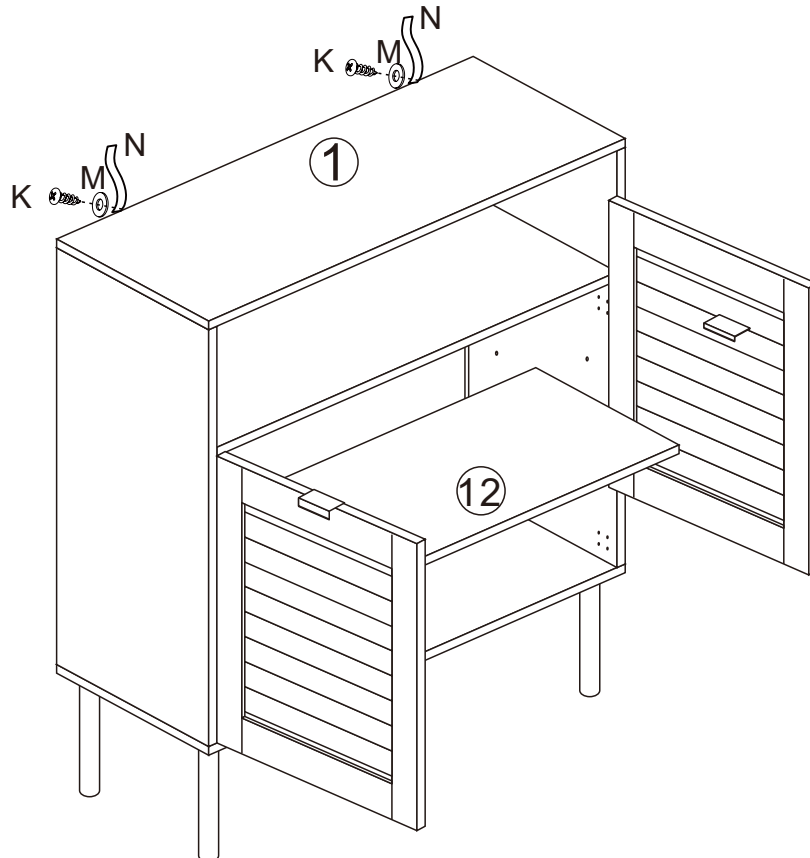
## STEP 11.

Fix doors 7 and 8 to assembled unit with hinges and screws (F), as shown.  
Fit shelf supports (E) into desired position in the assembled unit, as shown.



## STEP 12.

Place shelf 12 on top of shelf supports, as shown.  
Fix wall starps (N) on to part 1 using washers (M) and screws (K), as shown.





## ASSEMBLY STEPS

### STEP 13.

For extra stability, you must fix your Sideboard to the wall using hardware (D, L and M), as shown. Screws (D) are fixed through wall straps and washers (M) and into the wall plugs (L). Should you choose not to affix the product to the wall, serious injury may be caused if the product tips over.

