

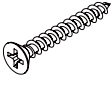




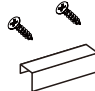








# Cabinet

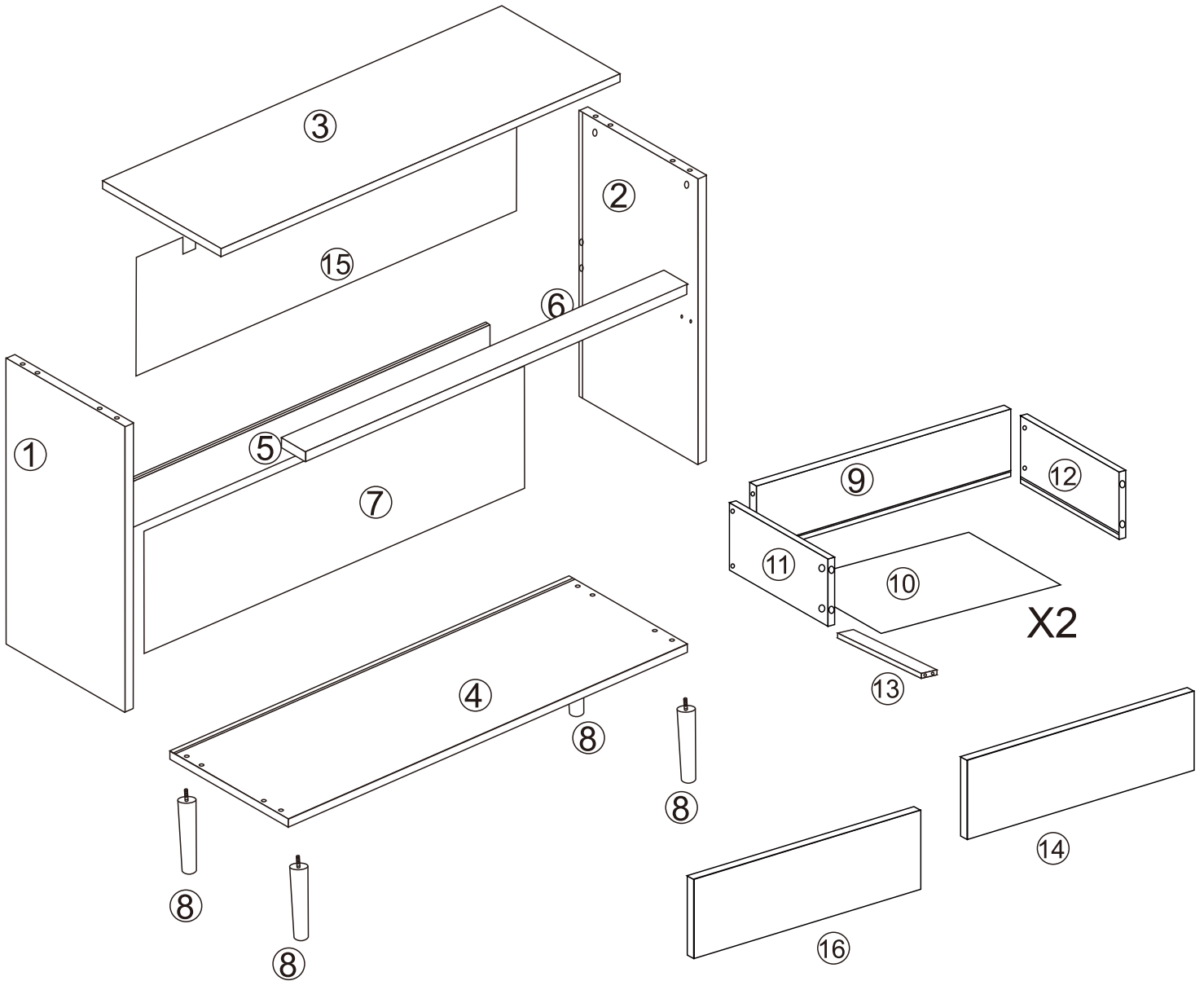


## ASSEMBLY INSTRUCTION

# HARDWARE LIST

A 22 PCS		B 22 PCS		C 14 PCS		D 4 PCS		E 32 PCS	
F 4 PCS		G 4 PCS		H 4 PCS		I 4 PCS		J 14 PCS	
K 22 PCS		L 8 PCS		M 2 PCS		N 2 PCS			

# PARTS LIST

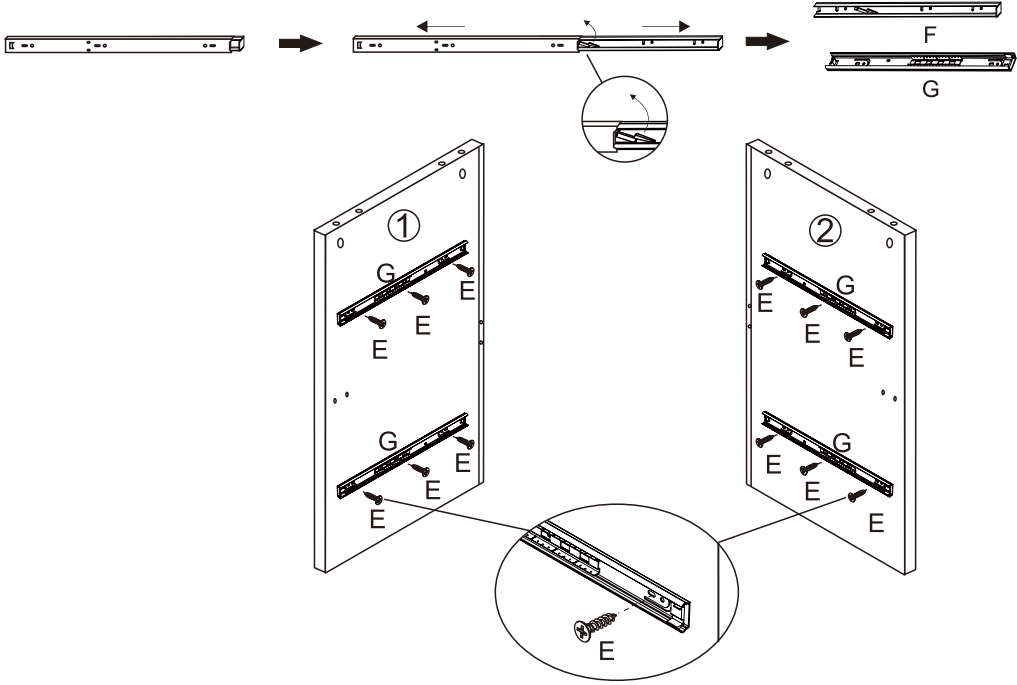


# ASSEMBLY STEPS

## STEP 1.

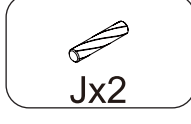
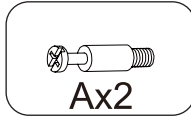
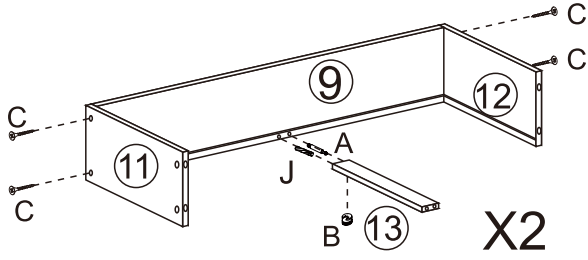
Slide drawer runner (F) and (G) apart until the drawer lock can be seen, as shown. Press and hold the drawer runner lock upwards and then continue to slide drawers runners apart, as shown. Your inner and outer drawer runners are ready to be fixed to panels.

Fix outer drawer runners (G) to parts 1 and 2 using screws(E), as shown.

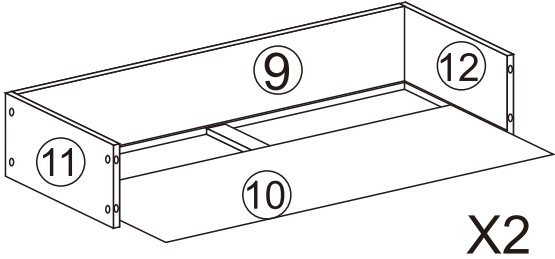


## STEP 2.

Fix parts 11 and 12 to part 9 using screws (C). Insert cam locks (B) into part 13, as shown. Insert quickfit screws (A) and wooden dowels (J) into part 9 and attach part 13, as shown. Turn cam locks clockwise to tighten.



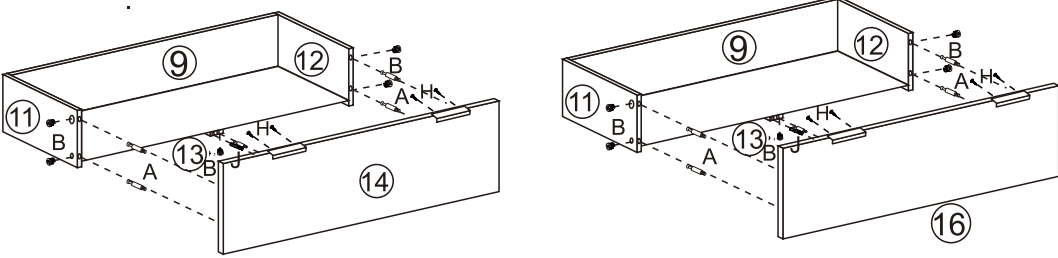
Insert part 10 into grooves of parts 11, 12 and 9, as shown.



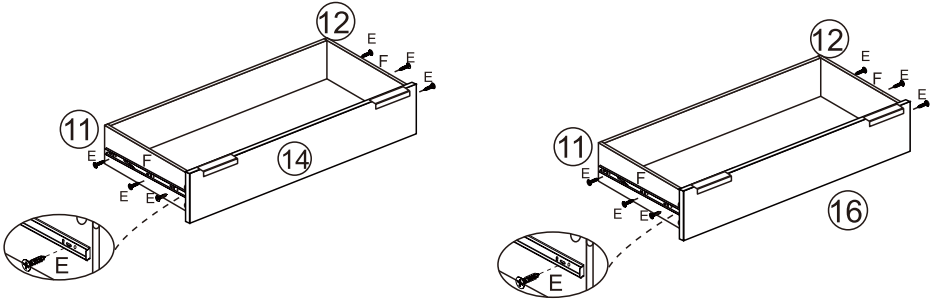
# ASSEMBLY STEPS

## STEP 3.

Insert quickfit screws (A) to parts 14 and 16. And fix handles to parts 14,16 using screws (H), as shown.  
 Insert cam locks (B) and wooden dowels (J) into parts 11, 12 and 13, as shown.  
 Attach parts 14 and 16 to the assembled drawers.  
 Turn cam locks clockwise to tighten.

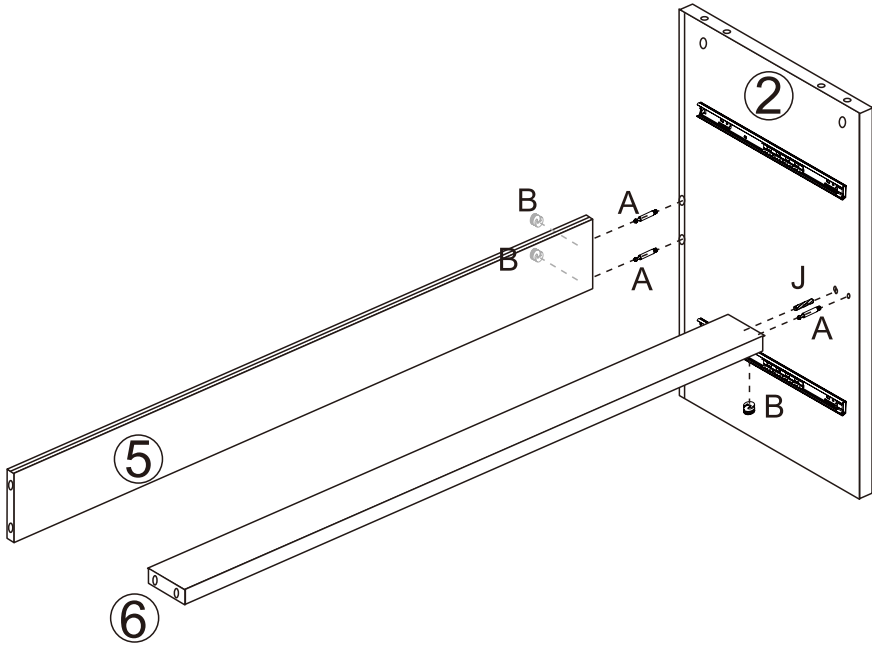


Fix inner drawer runners (F) to assembled drawers using screws (E), as shown.



## STEP 4.

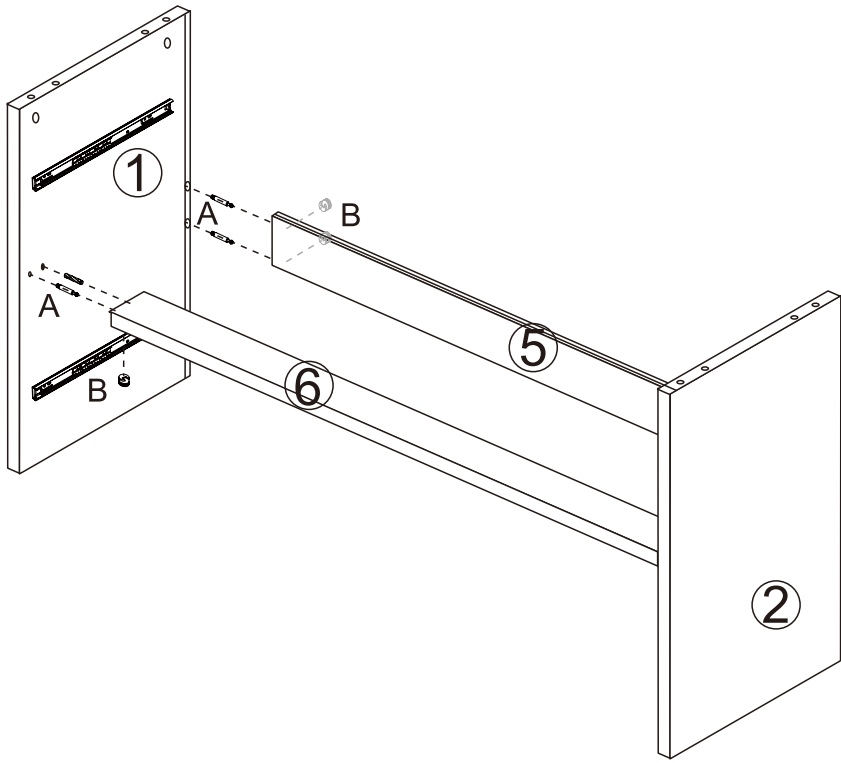
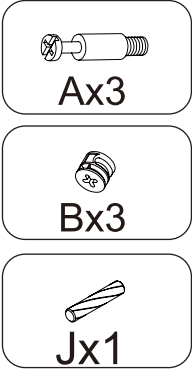
Insert quickfit screws (A) and wooden dowel (J) into part 2, as shown.  
 Insert cam locks (B) into parts 6 and 5, as shown.  
 Fit parts 6 and 5 to part 2. Turn cam locks clockwise to tighten.



# ASSEMBLY STEPS

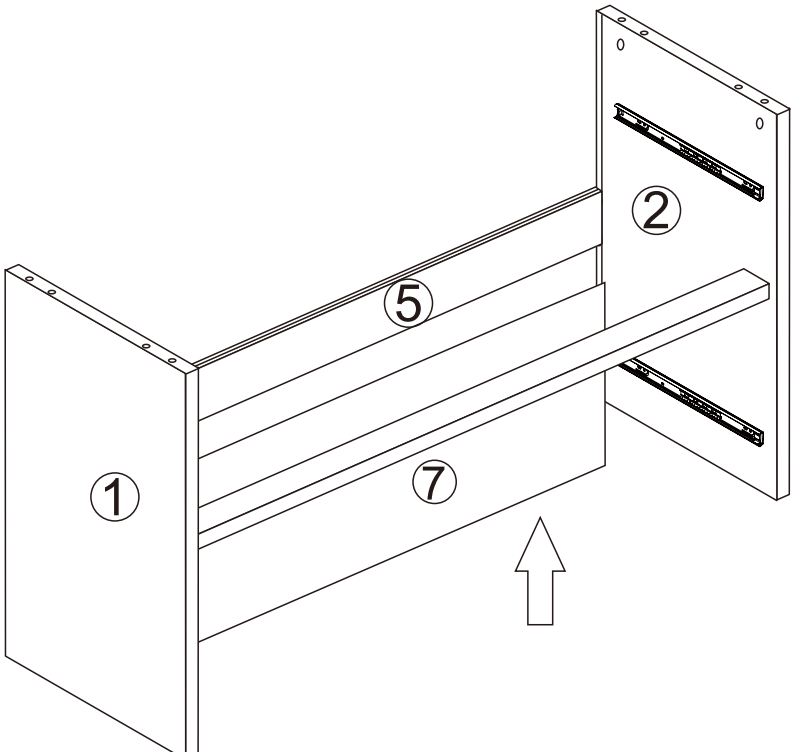
## STEP 5.

Insert quickfit screws (A) and wooden dowel (J) into part 1, as shown.  
Insert cam locks (B) into parts 6 and 5, as shown.  
Fit part 1 to assembled unit, as shown.  
Turn cam locks clockwise to tighten.



## STEP 6.

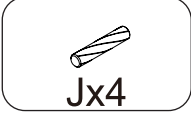
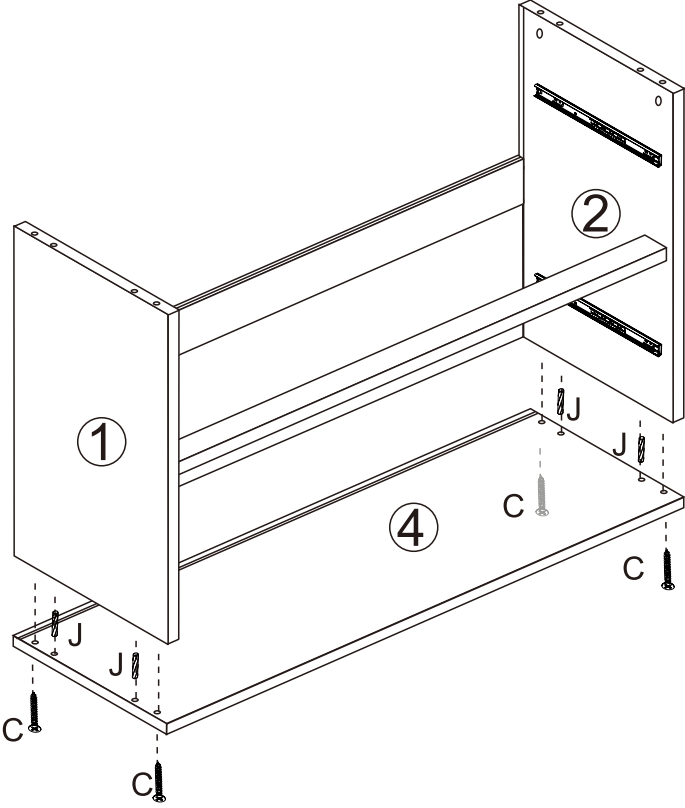
Slide part 7 into grooves of parts 1, 2 and 5, as shown.



# ASSEMBLY STEPS

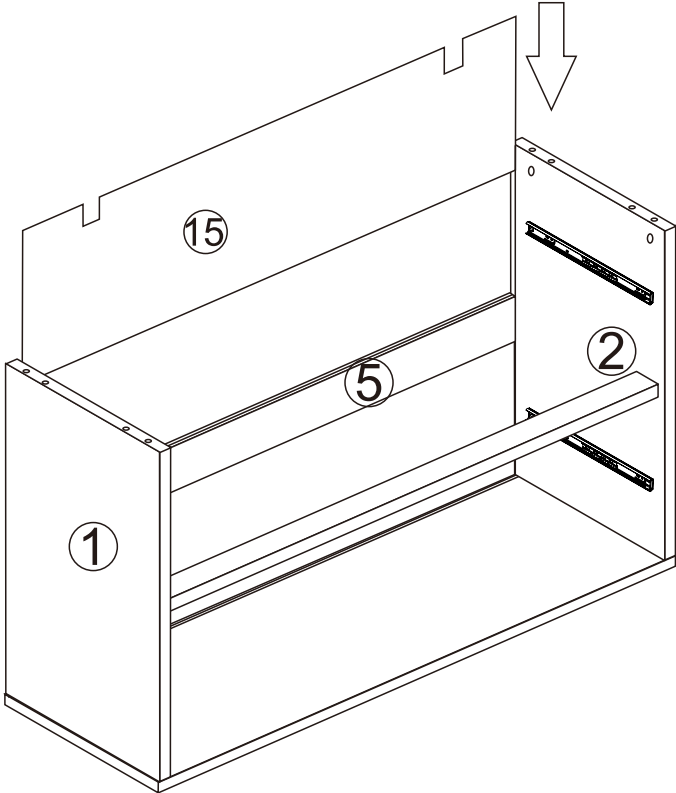
## STEP 7.

Insert wooden dowels (J) to part 4 and attach part 4 to assembled unit using screws (C), as shown.



## STEP 8.

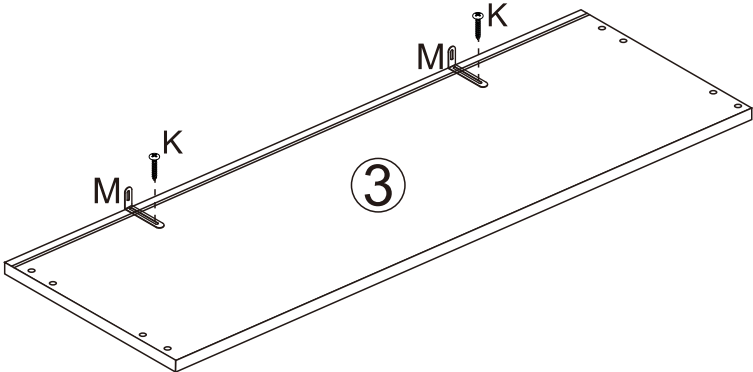
Slide part 15 into grooves of parts 1, 2 and 5, as shown.



# ASSEMBLY STEPS

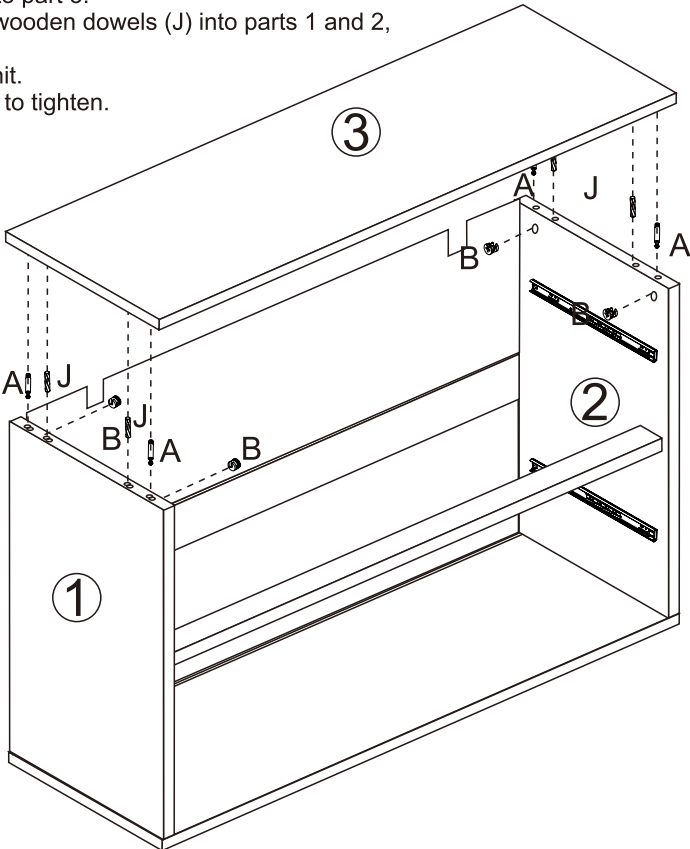
## STEP 9.

Fix wall brackets (M) to part 3 using screws (K), as shown.



## STEP 10.

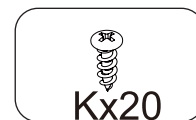
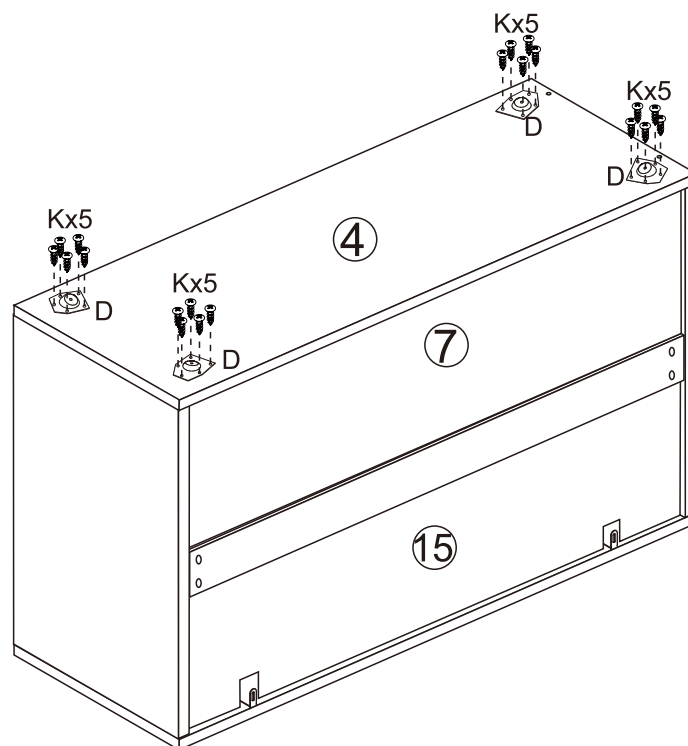
Insert quickfit screws (A) to part 3.  
Insert cam locks (B) and wooden dowels (J) into parts 1 and 2,  
as shown.  
Fit part 3 to assembled unit.  
Turn cam locks clockwise to tighten.



# ASSEMBLY STEPS

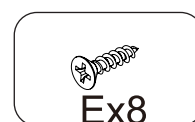
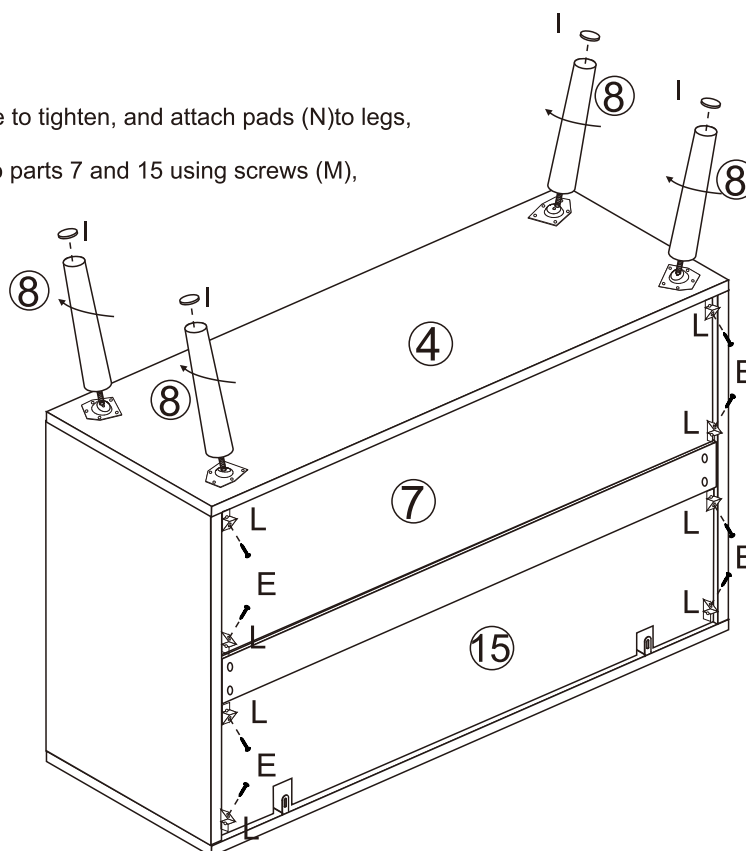
## STEP 11.

Fix hardwares (D) to part 4 using screws (K), as shown.



## STEP 12.

Turn the legs 8 clockwise to tighten, and attach pads (N) to legs, as shown.  
Fix corner brackets (L) to parts 7 and 15 using screws (M), as shown.

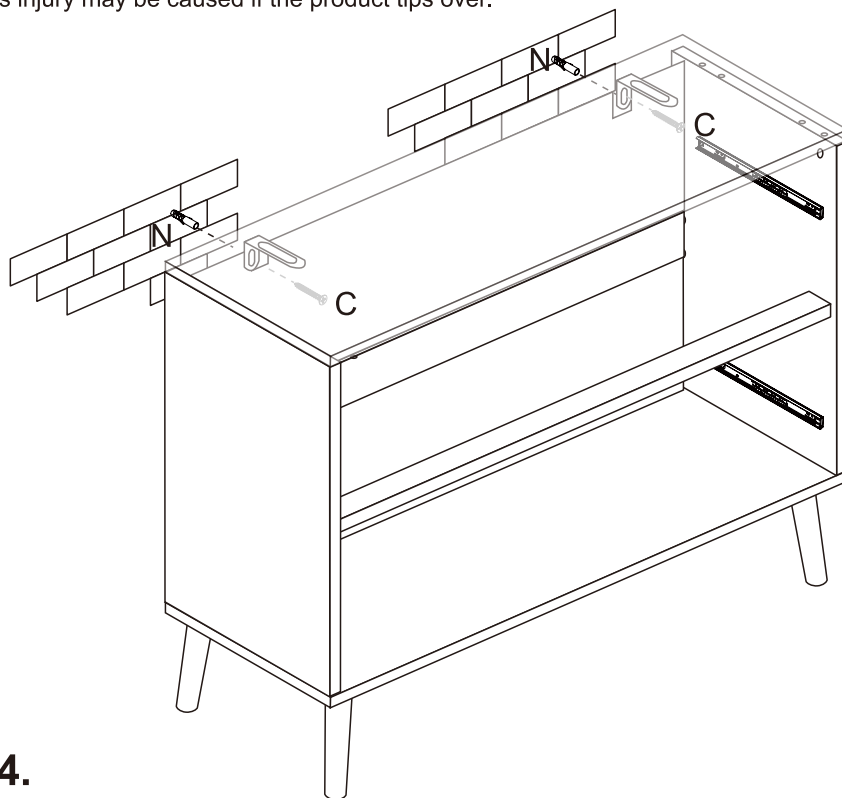




# ASSEMBLY STEPS

## STEP 13.

For extra stability, you must fix your Cabinet to the wall using hardwares (C and N), as shown.  
Screws (C) are fixed through wall brackets (M) and into the wall plugs (N).  
Should you choose not to affix the product to the wall, serious injury may be caused if the product tips over.



## STEP 14.

Insert drawers into the assembled unit, as shown.

