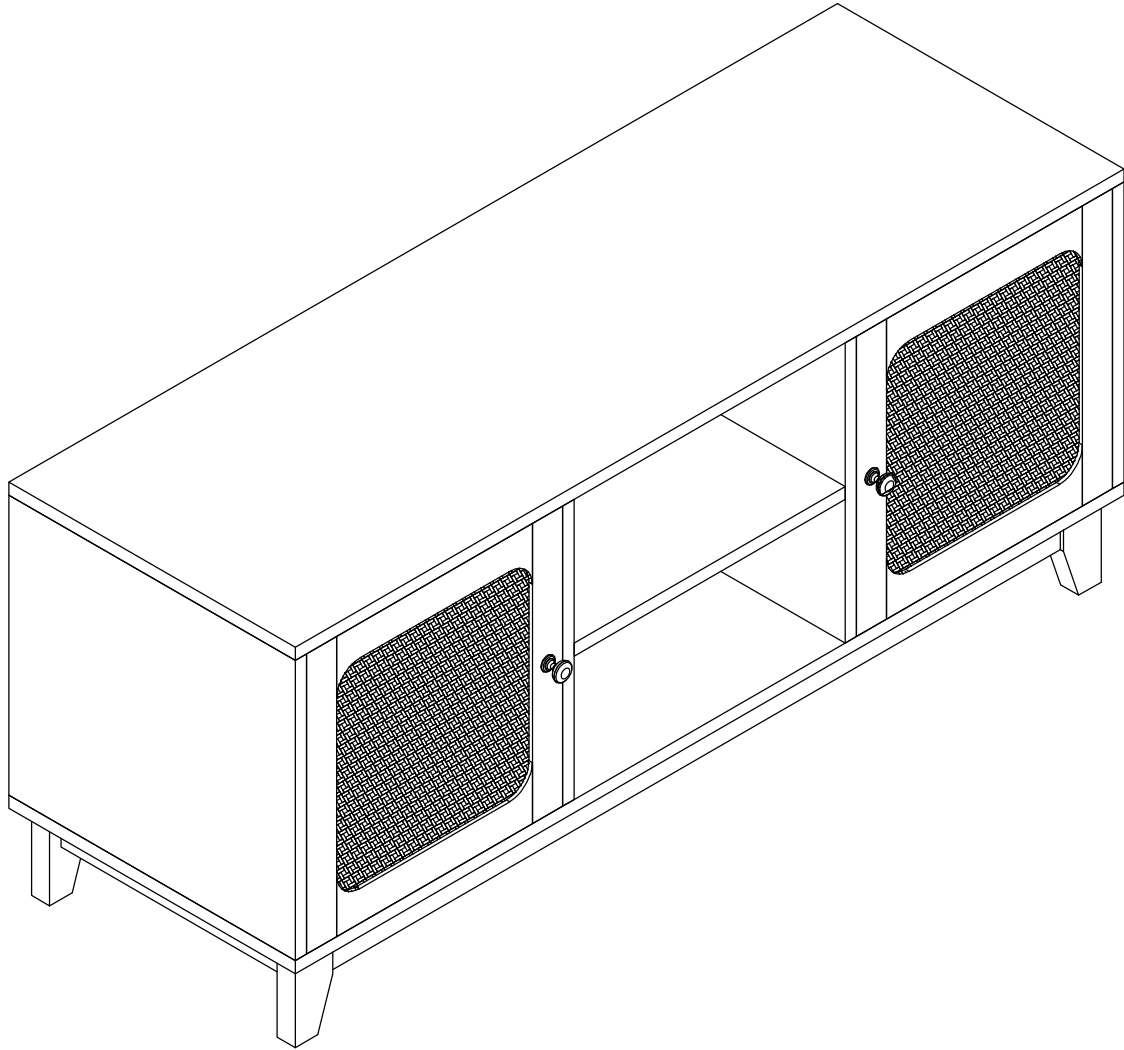


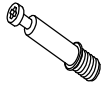




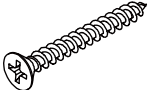



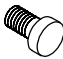




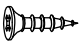

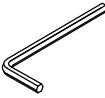

TV Stand



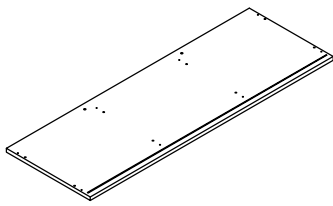
ASSEMBLY INSTRUCTION

Date last updated:07-29-2022

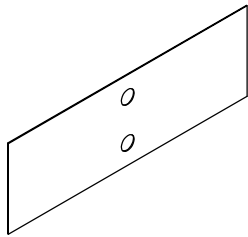
HARDWARE LIST

<p>A</p> <p>12 PCS</p>		<p>B</p> <p>12 PCS</p>		<p>C</p> <p>28 PCS</p>		<p>D</p> <p>2 PCS</p>	<p>D-1</p>  <p>D-2</p> 
<p>E</p> <p>16 PCS</p>		<p>F</p> <p>24 PCS</p>	 <p>3.5x14mm</p>	<p>G</p> <p>2 PCS</p>		<p>H</p> <p>4 PCS</p>	
<p>I</p> <p>2 PCS</p>		<p>J</p> <p>4 PCS</p>		<p>K</p> <p>4 PCS</p>		<p>L</p> <p>4 PCS</p>	<p>L-1</p>  <p>L-2</p> 
<p>M</p> <p>4 PCS</p>	<p>M-1</p>  <p>M-2</p> 	<p>N</p> <p>1 PCS</p>		<p>O</p> <p>10 PCS</p>			

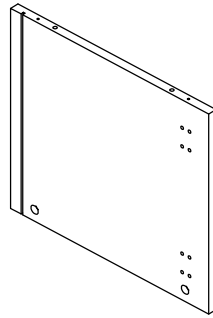
PARTS LIST



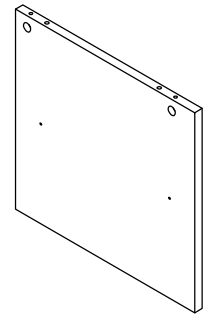
1-1 PC



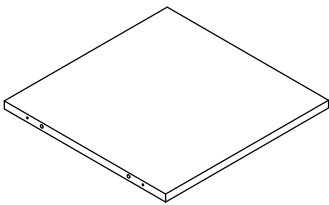
2-1 PC



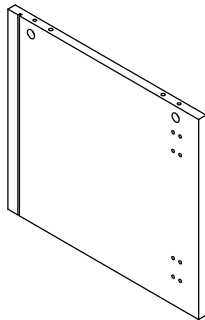
3-1 PC



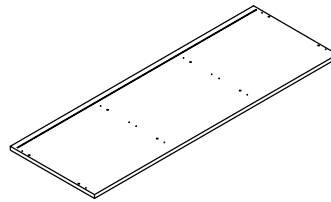
4-1 PCS



5-1 PC



6-1 PC



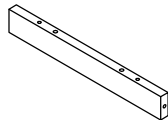
7-1 PC



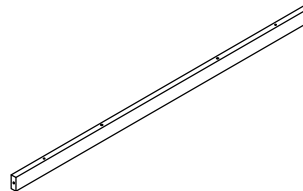
8-2 PCS



9-2 PCS



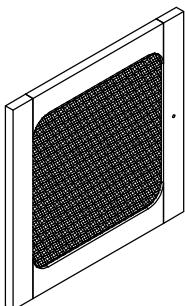
10-2 PCS



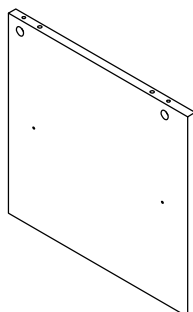
11-2 PCS



12-2 PCS



13-2 PC

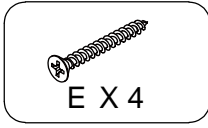
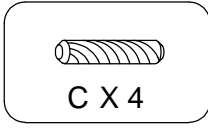
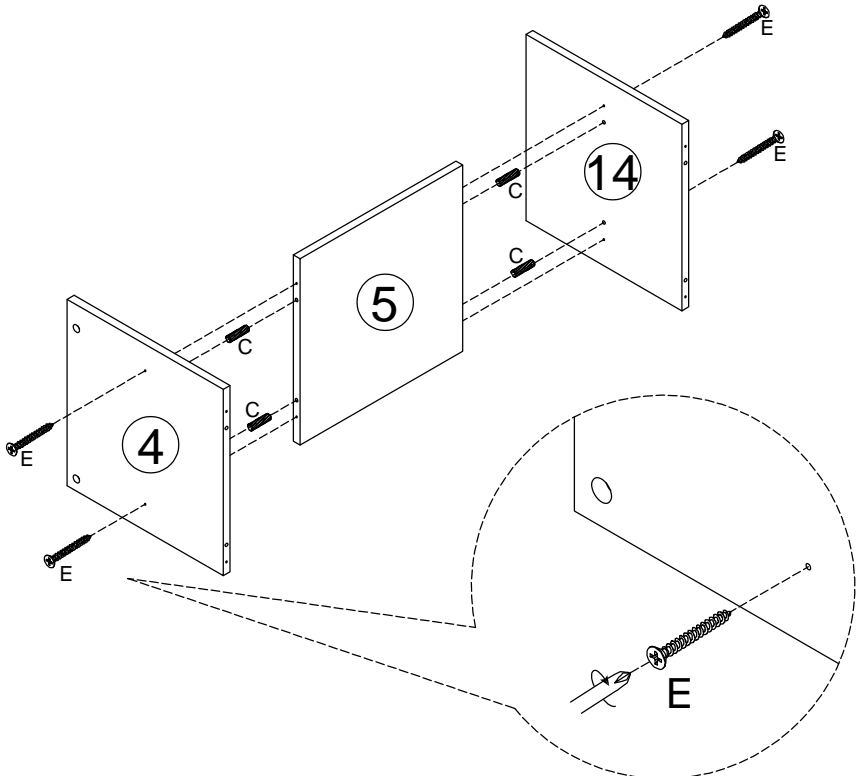


14-1 PC

ASSEMBLY STEPS

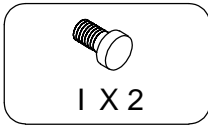
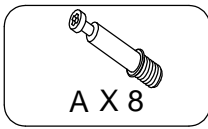
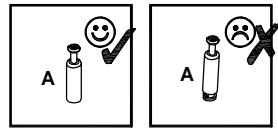
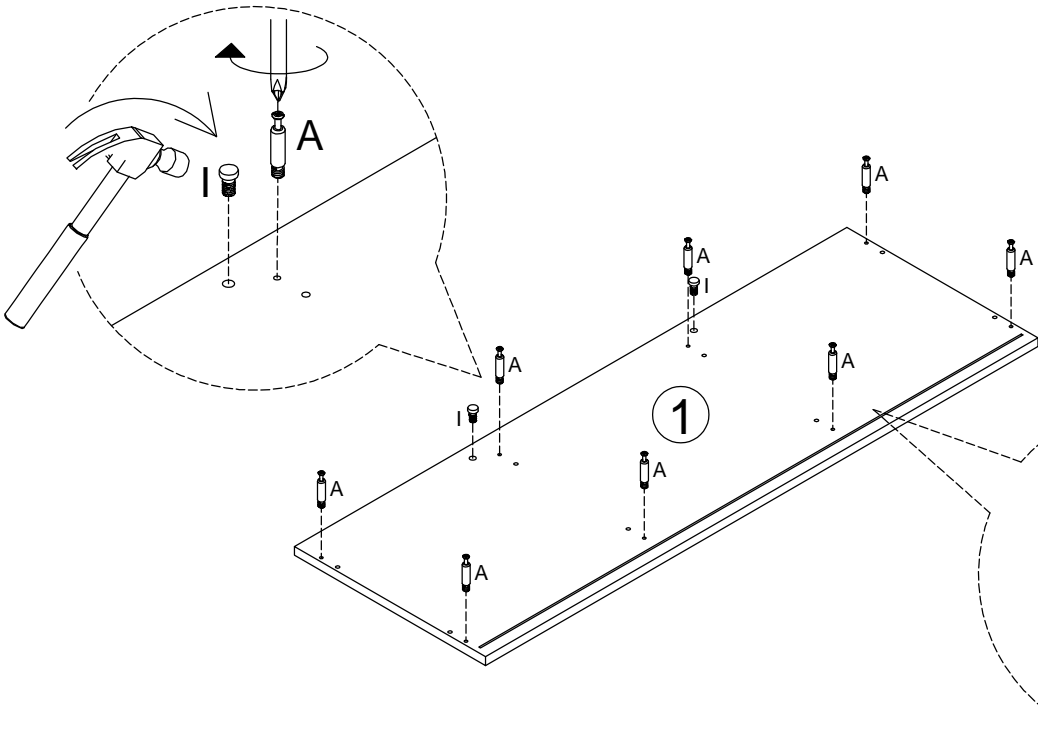
STEP 1.

Fix parts 4 and 14 to part 5 with wooden dowels (C) and screws (E), as shown.



STEP 2.

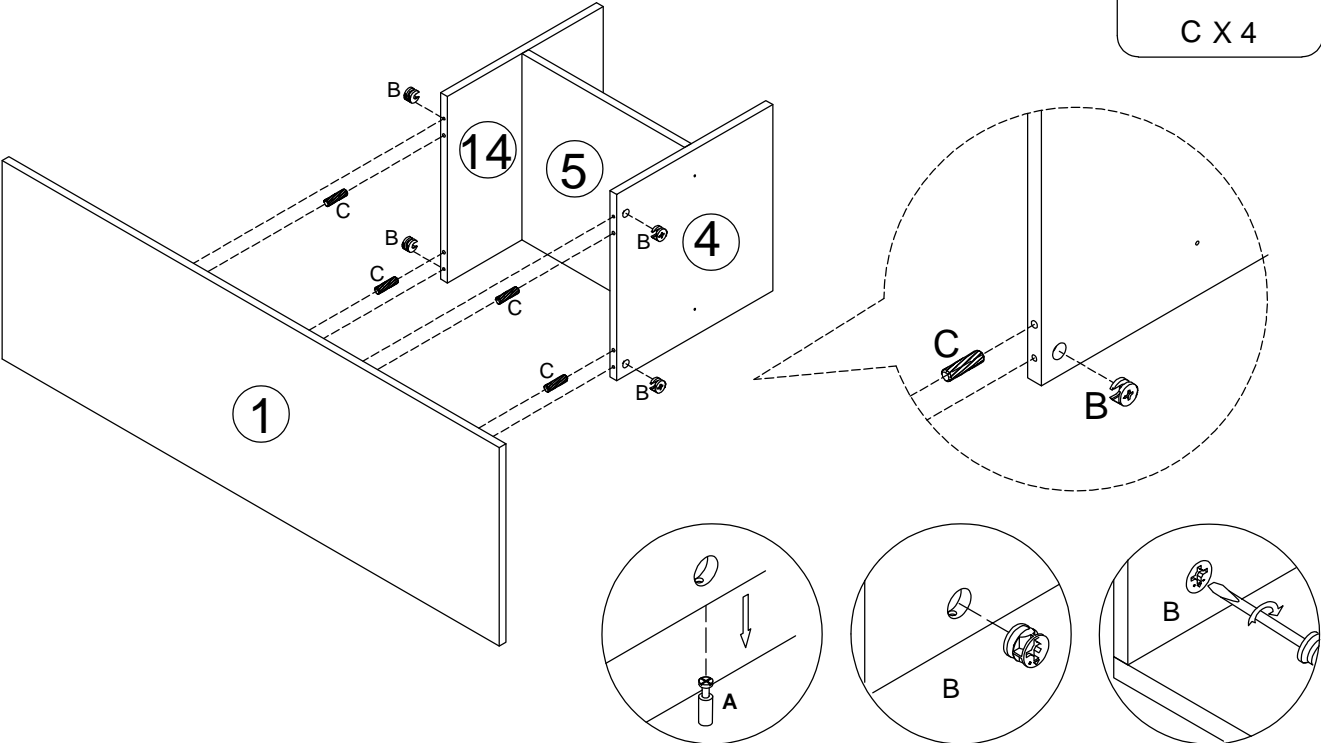
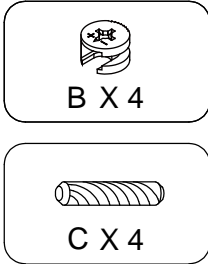
Insert quickfit screws (A) into part 1, as shown.
Fix silicone cushion pads (I) to part 1, as shown.



ASSEMBLY STEPS

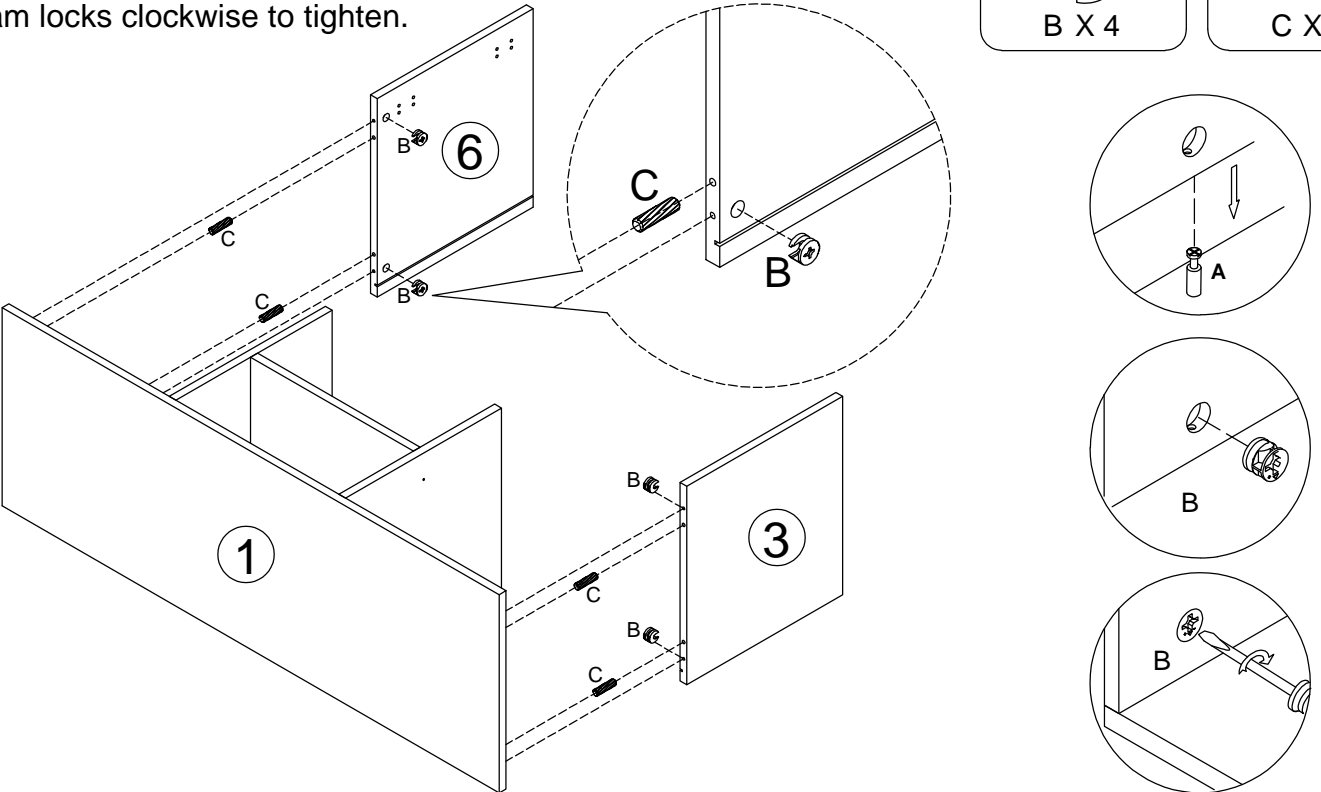
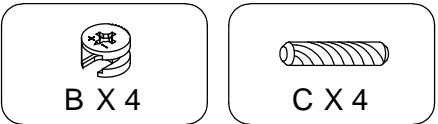
STEP 3.

Insert cam locks (B) and wooden dowels (C) into parts 4 and 14, as shown.
 Fit part 1 to parts 4 and 14, as shown.
 Turn cam locks clockwise to tighten.



STEP 4.

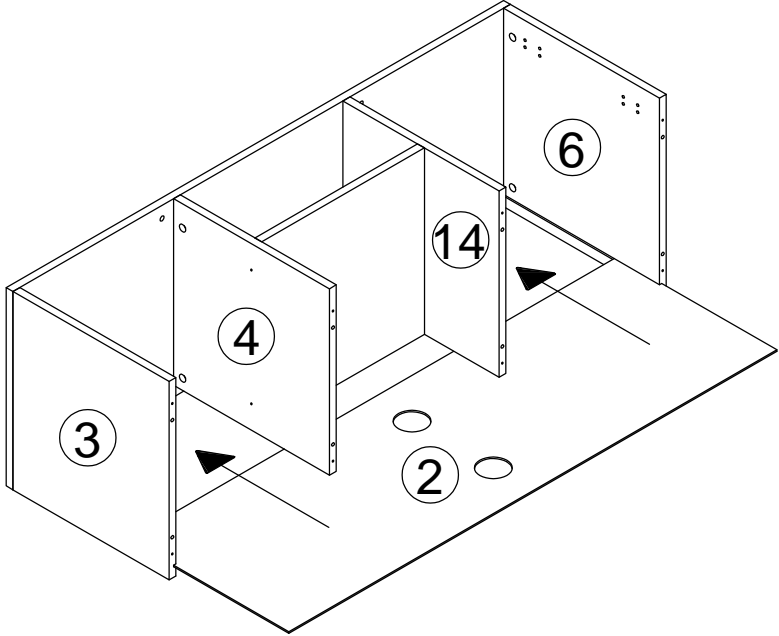
Insert cam locks (B) and wooden dowels (C) into parts 3 and 6, as shown.
 Fit parts 3 and 6 to part 1, as shown.
 Turn cam locks clockwise to tighten.



ASSEMBLY STEPS

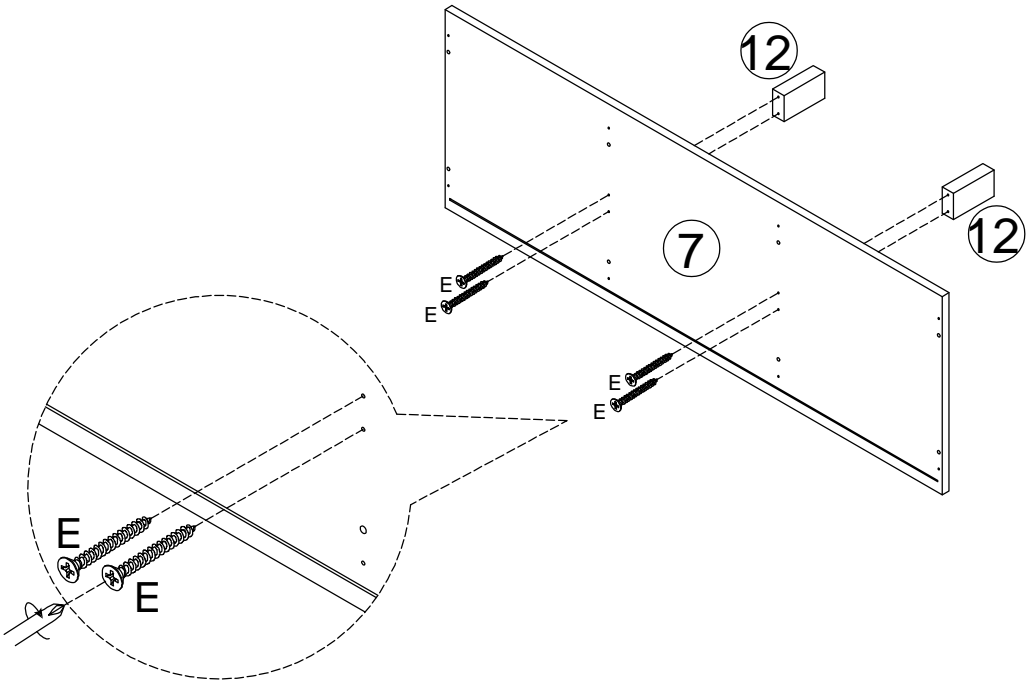
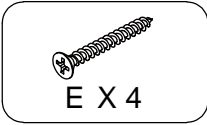
STEP 5.

Slide part 2 into grooves between parts 3 and 6, as shown.



STEP 6.

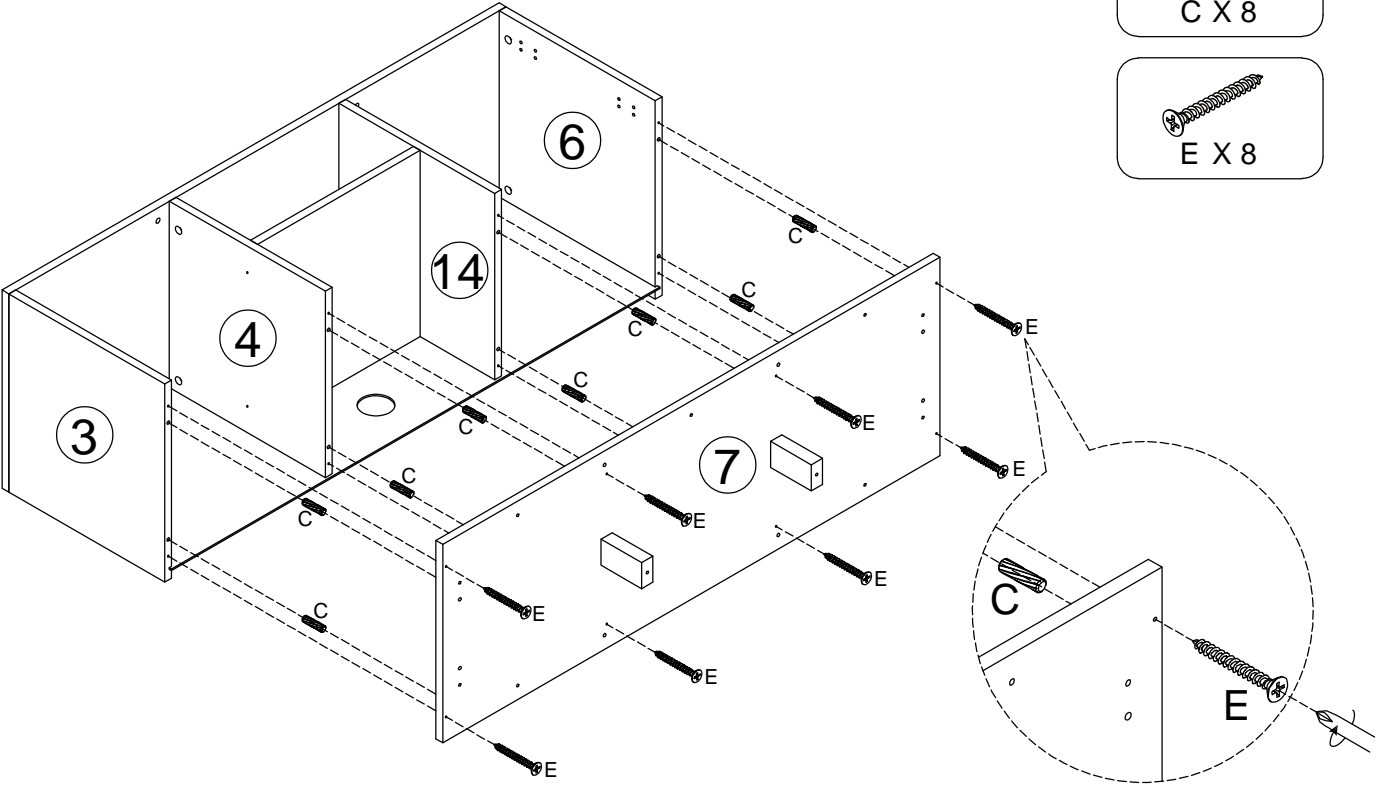
Fix parts 12 to part 7 using screws (E), as shown.





ASSEMBLY STEPS

STEP 7.

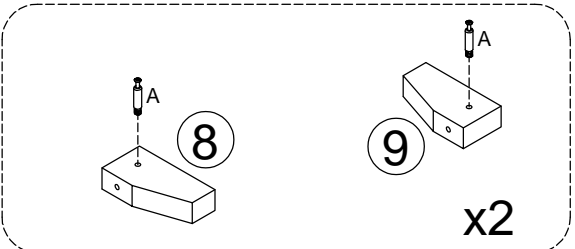
Insert wooden dowels (C) into parts 3, 4, 14 and 6, as shown.
 Attach part 7 to parts 3, 4, 14 and 6 with screws (E), as shown.

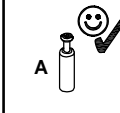

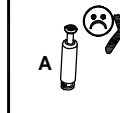





-  C X 8
-  E X 8

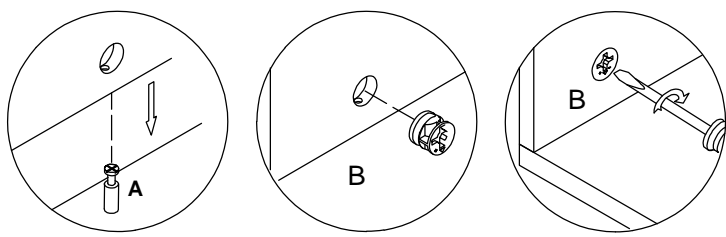
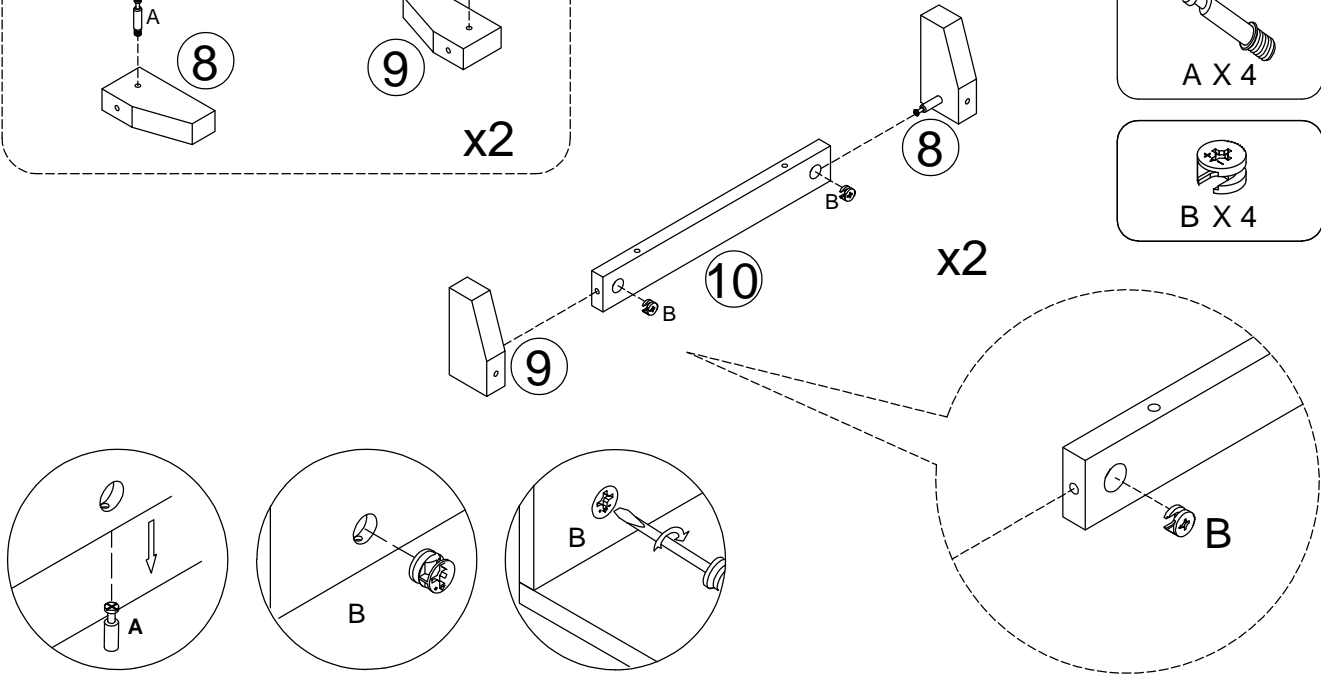
STEP 8.

Insert quickfit screws (A) into parts 8 and 9, as shown.
 Insert cam locks (B) into parts 10, as shown.
 Attach parts 8 and 9 to part 10.
 Turn cam locks clockwise to tighten.



-  A 
-  A 

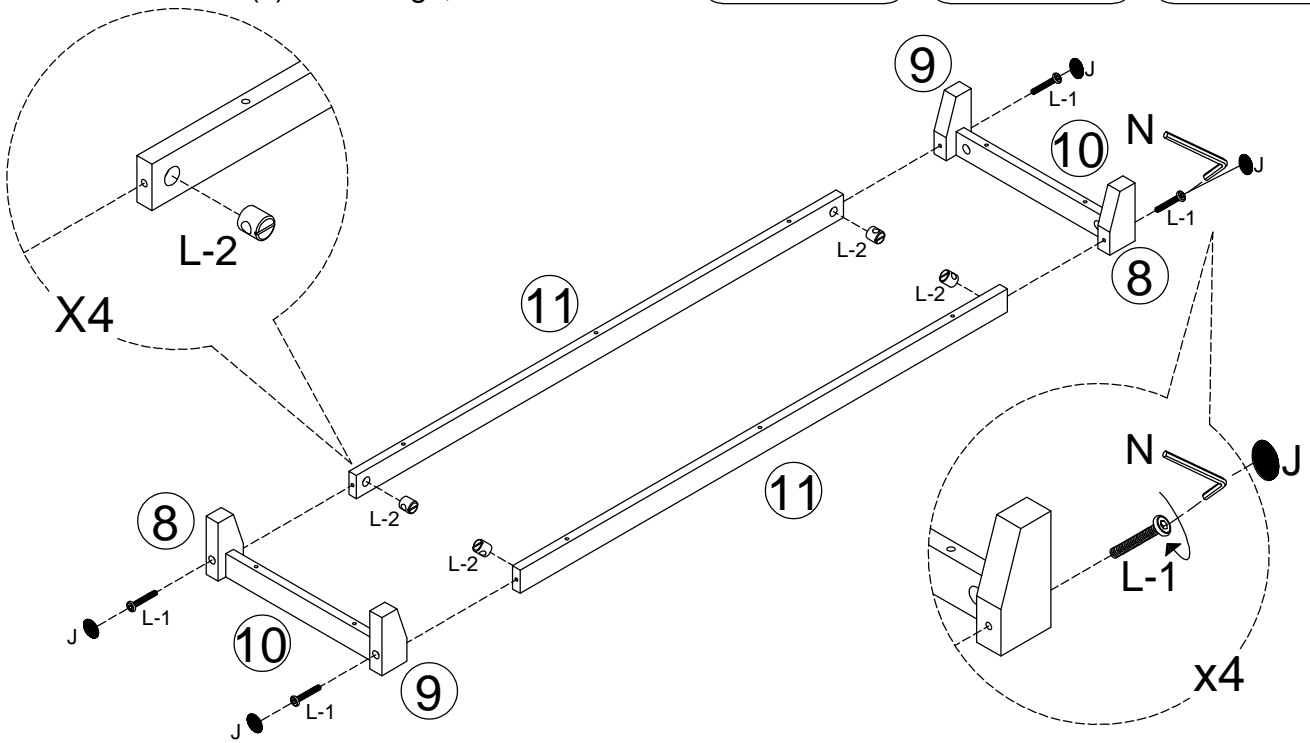
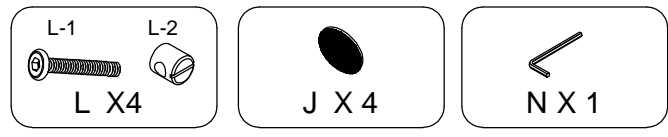
-  A X 4
-  B X 4



ASSEMBLY STEPS

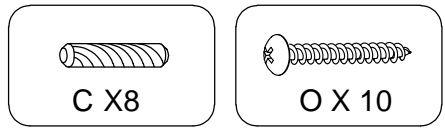
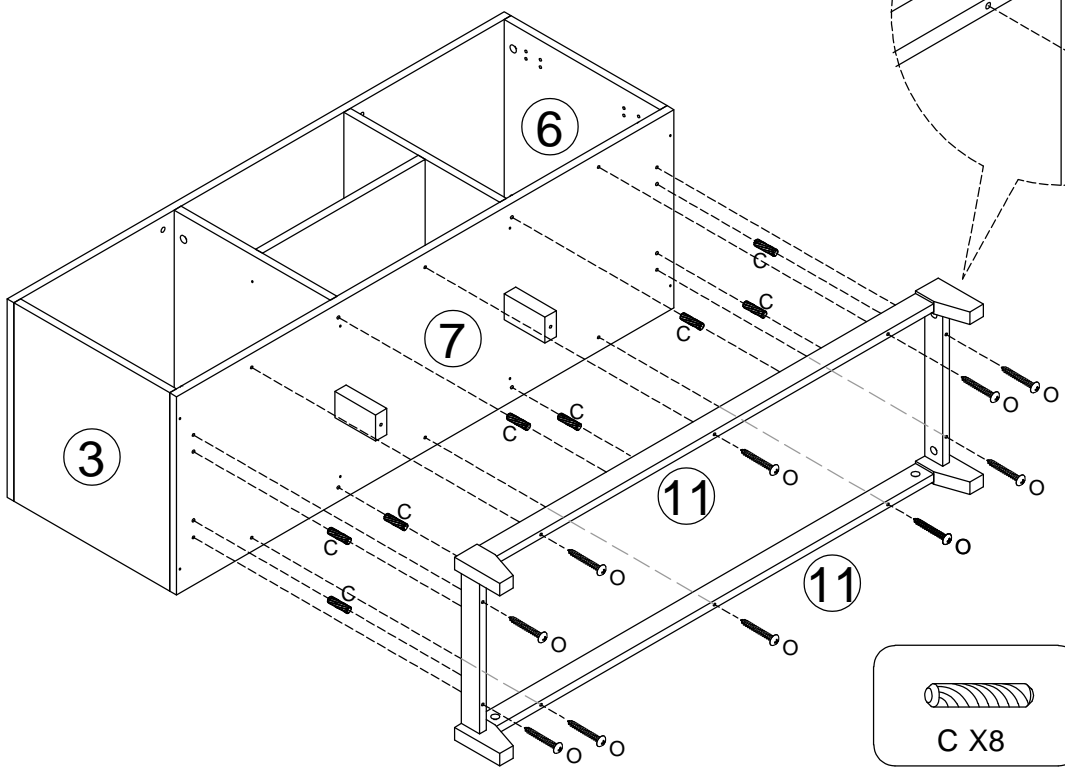
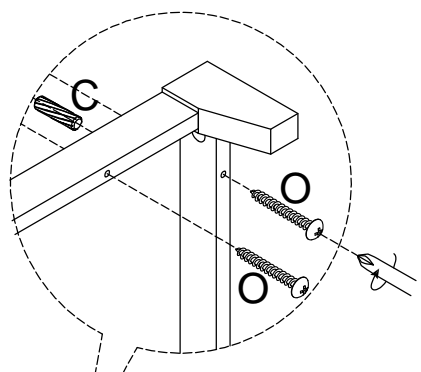
STEP 9.

Insert nuts (L-2) into parts 11, as shown.
 Fix parts 8 and 9 to parts 11 using bolts (L-1) and allen key (N), as shown.
 Attach screw covers (J) to the legs, as shown.



STEP 10.

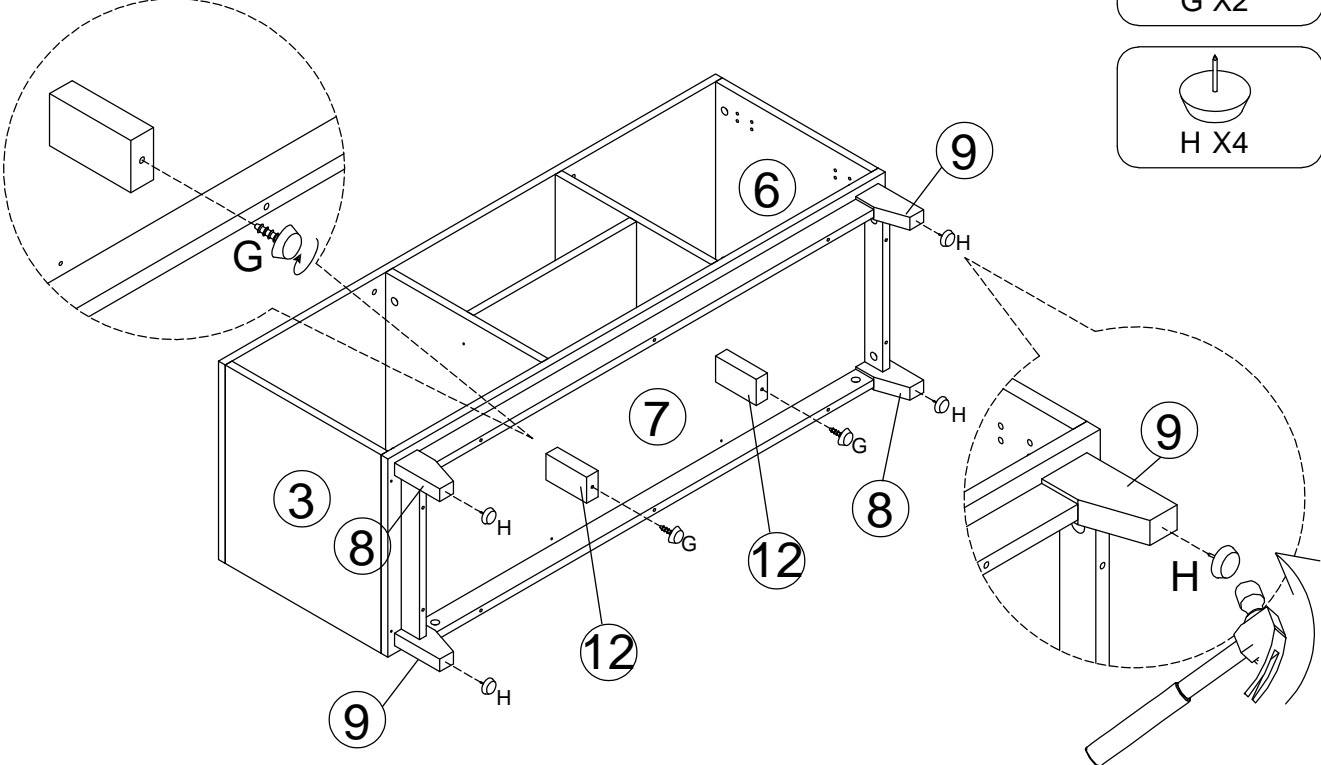
Insert wooden dowels (C) into part 7.
 Fix assembled legs to part 7 using screws (O), as shown.



ASSEMBLY STEPS

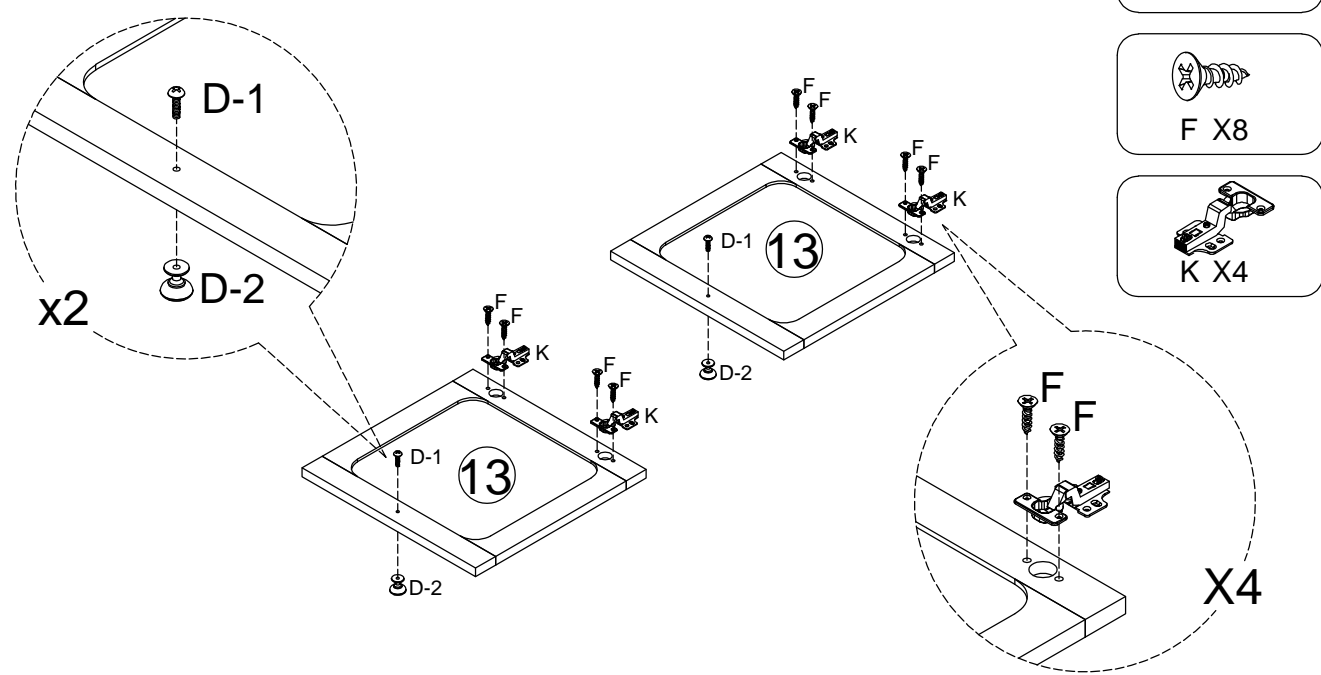
STEP 11.

Fix foot nails (H) to legs 8 and 9, as shown.
 Fix foot nails (G) to leg 12, as shown.



STEP 12.

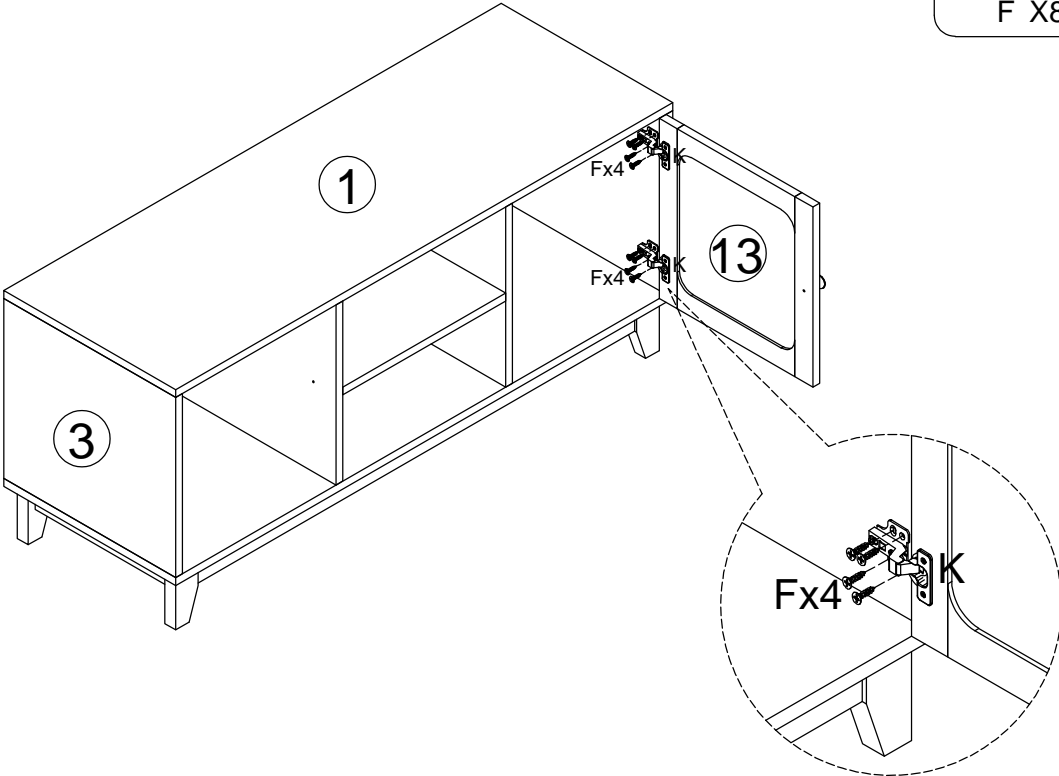
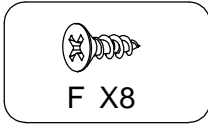
Fix handles (D-2) to doors 13 using screws (D-1), as shown.
 Fix hinges (K) to doors 13 using screws (F), as shown.



ASSEMBLY STEPS

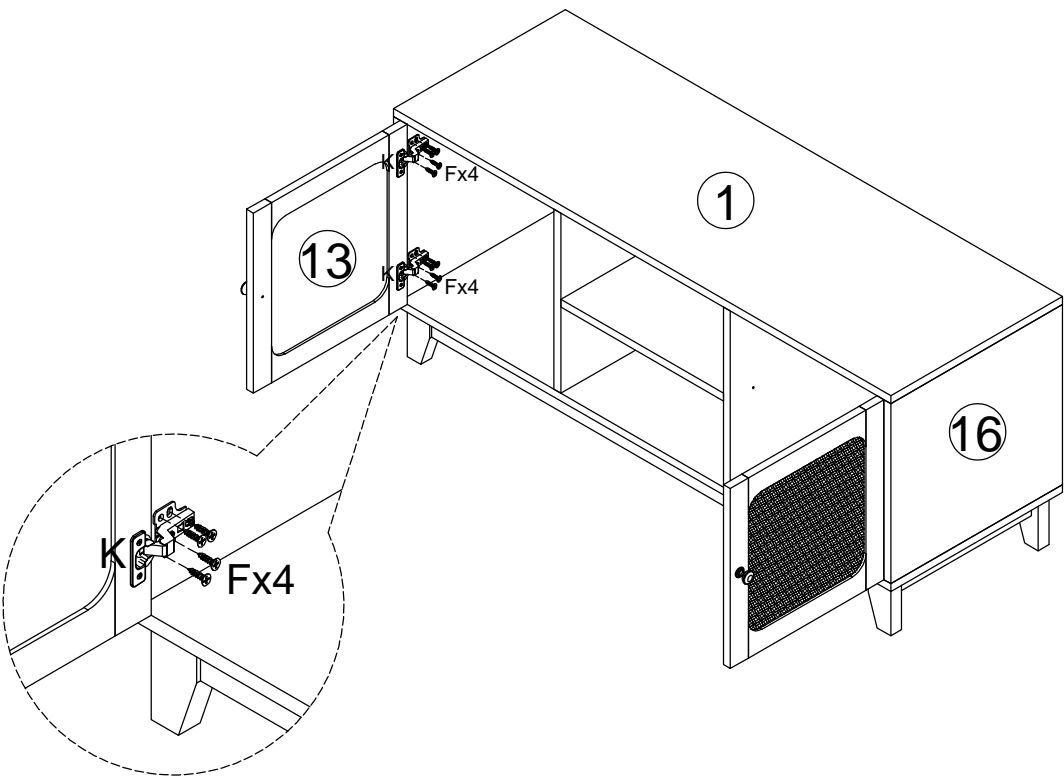
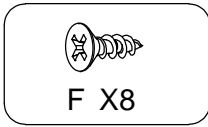
STEP 13.

Fix door 13 to assembled unit using hinges and screws (F), as shown.



STEP 14.

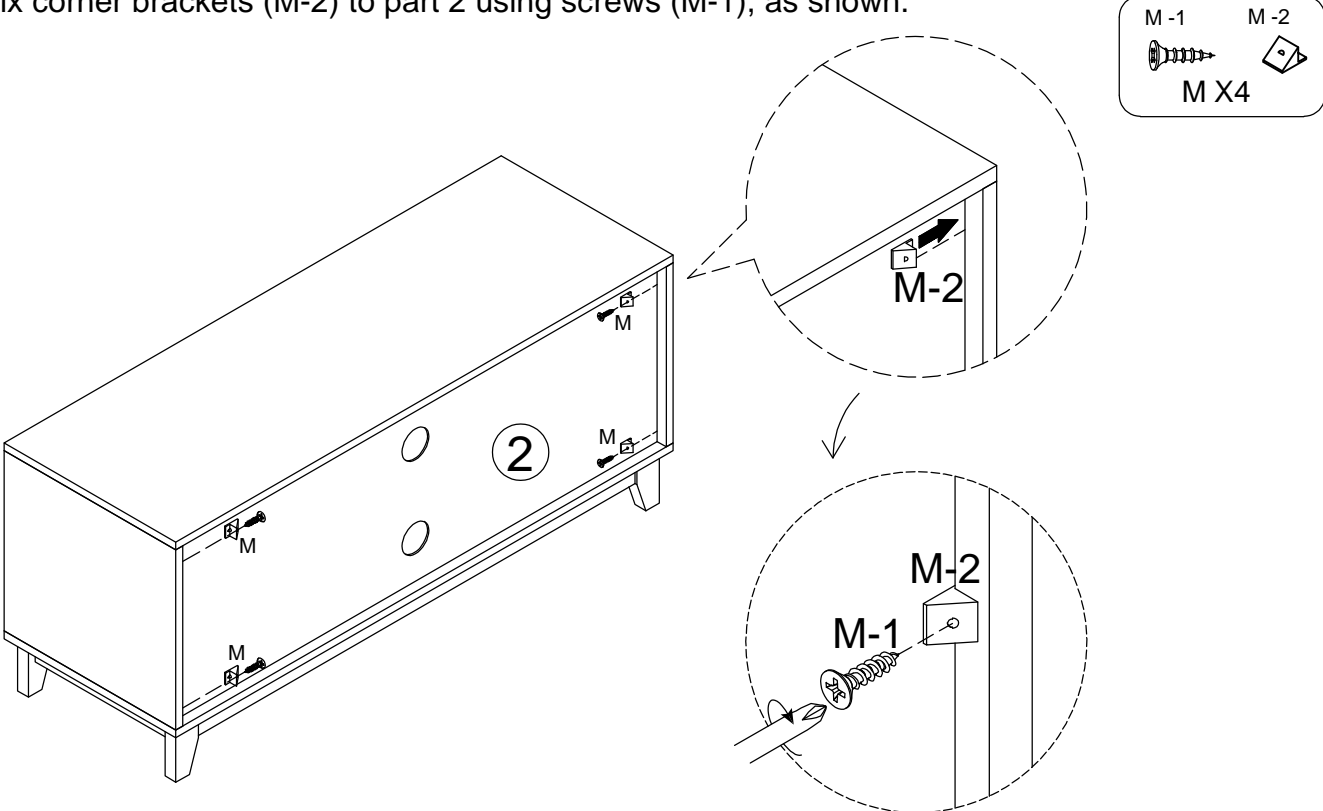
Fix door 13 to assembled unit using hinges and screws (F), as shown.



ASSEMBLY STEPS

STEP 15.

Fix corner brackets (M-2) to part 2 using screws (M-1), as shown.



STEP 16.

Your TV Stand is ready for use.

