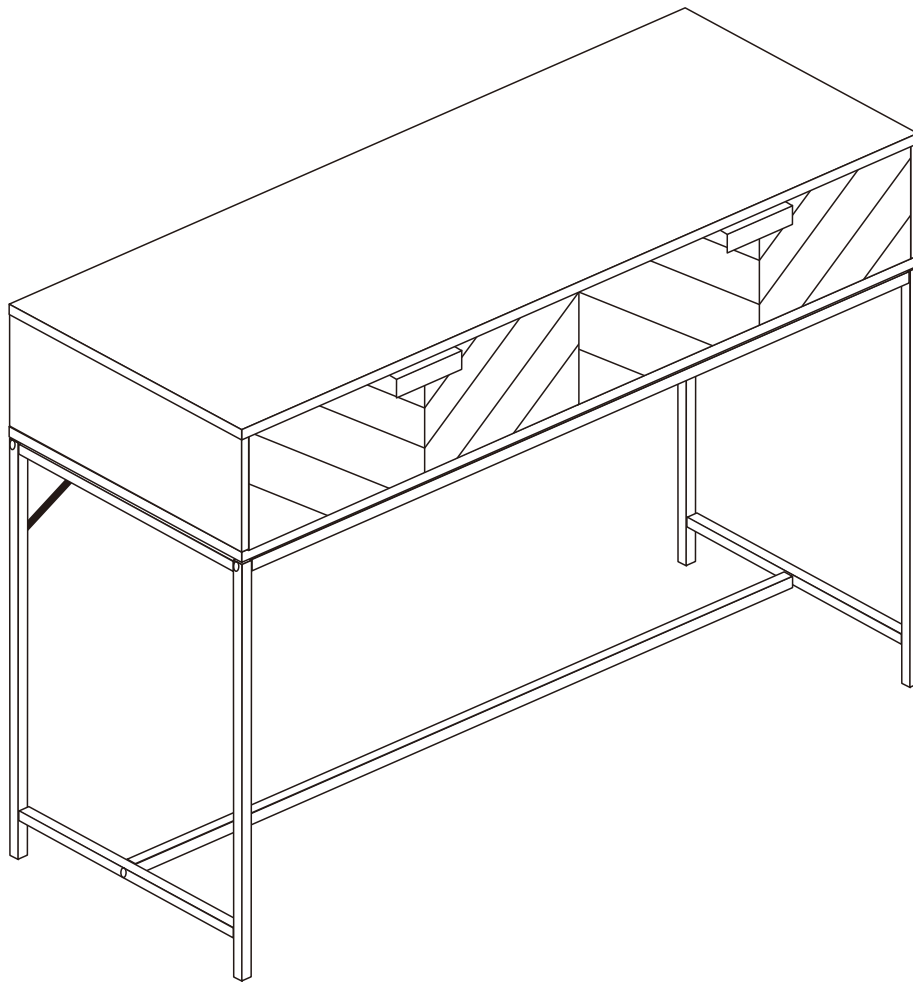





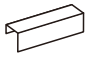

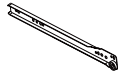
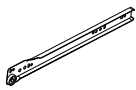
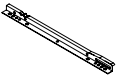
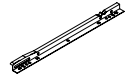








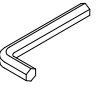



Console table

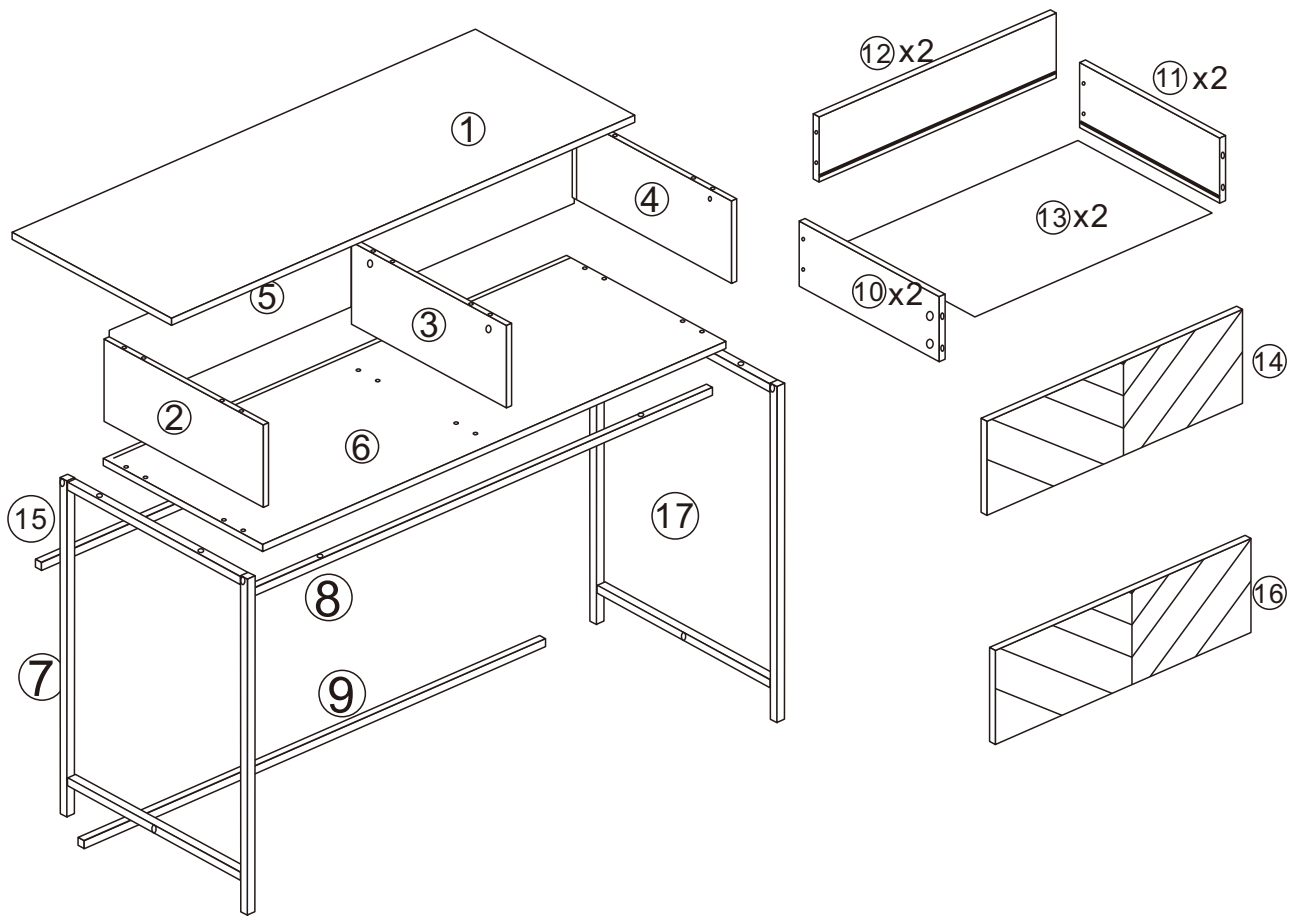


ASSEMBLY INSTRUCTION

HARDWARE LIST

a 14 PCS		b 14 PCS		c 12 PCS		d 6 PCS		e 16 PCS	
f 2 PCS		g 8 PCS		h (CR) 2 PCS		h (CL) 2 PCS		h (DR) 2 PCS	
h (DL) 2 PCS		i 24 PCS		j 4 PCS		k 2 PCS		l 4 PCS	
m 4 PCS		n 2 PCS		o 2 PCS		p 2 PCS		r 1 PC	
q 4 PCS									

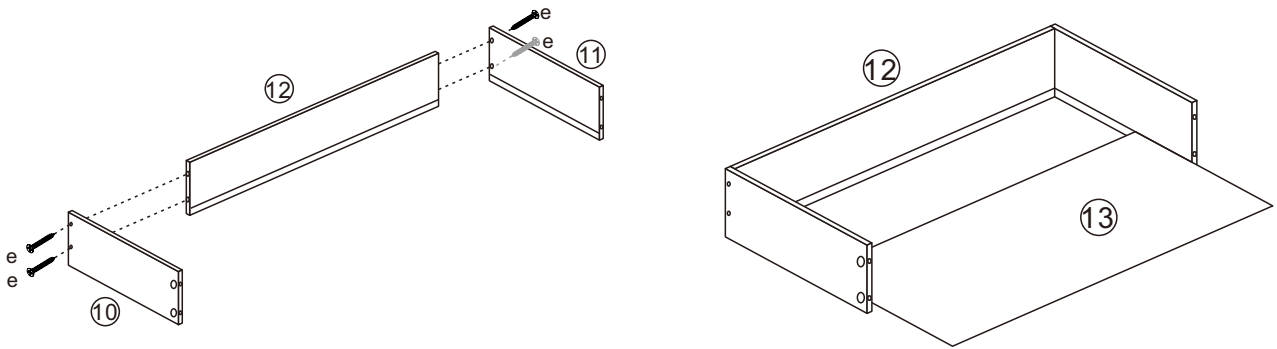
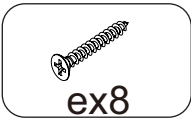
PARTS LIST



ASSEMBLY STEPS

STEP 1.

Fix parts 10 and 11 to part 12 using screws (e), as shown.
Place part 13 into grooves between parts 10, 11 and 12, as shown.

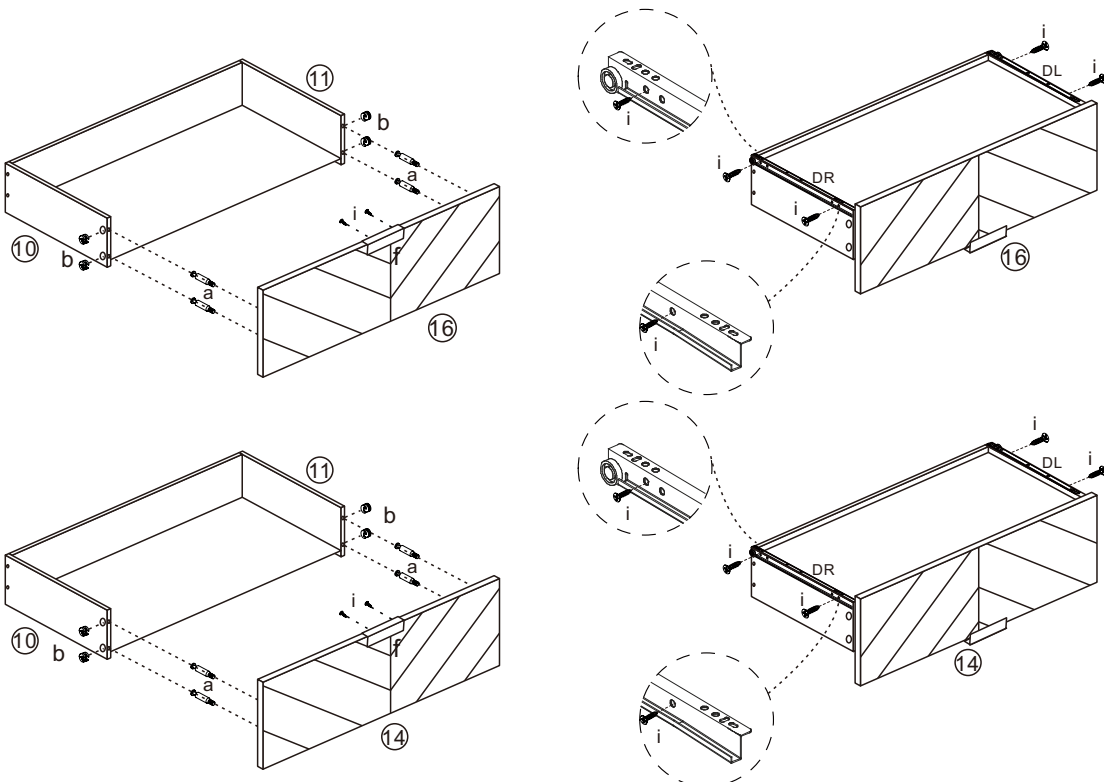
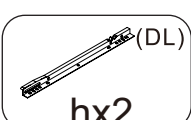
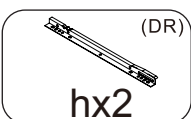
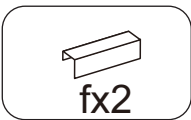
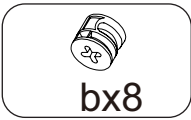
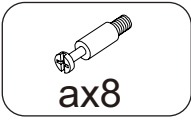


x2

STEP 2.

Fix handles (f) to parts 14 and 16 using screws (i), as shown.
Insert quickfit screws (a) into parts 14 and 16, as shown.
Insert cam locks (b) into parts 10 and 11, as shown.
Fit parts 14 and 16 to parts 10 and 11. Turn cam locks clockwise to tighten.

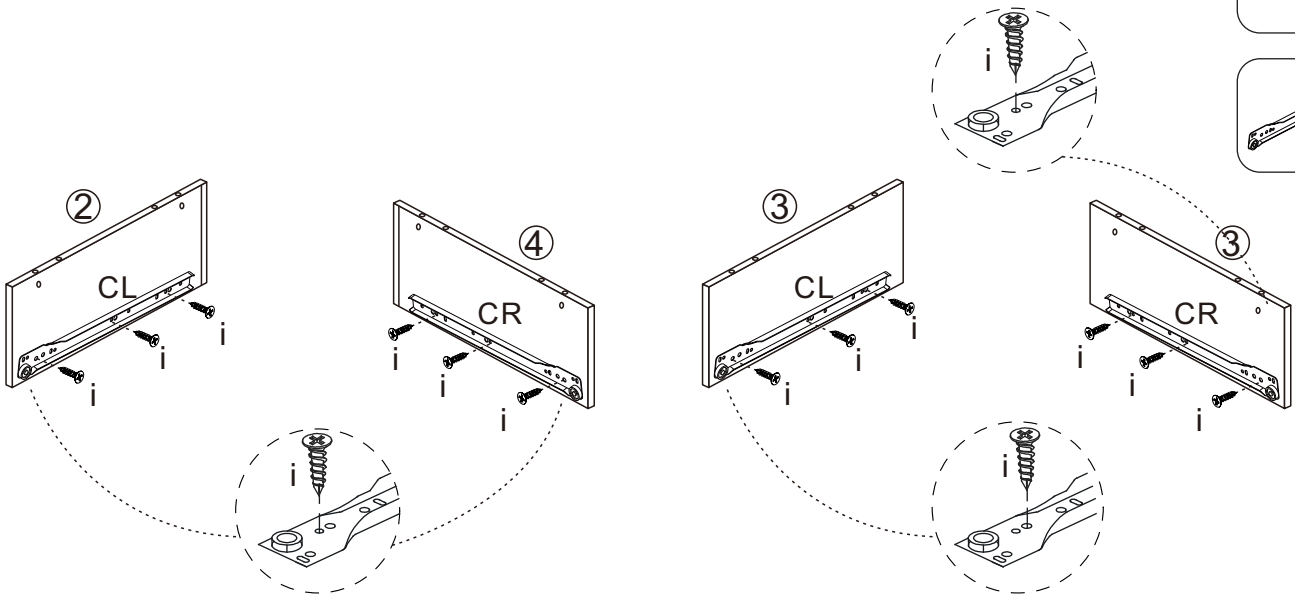
Fix inner drawer runners (DR) and (DL) to assembled drawers using screws (i), as shown.



ASSEMBLY STEPS

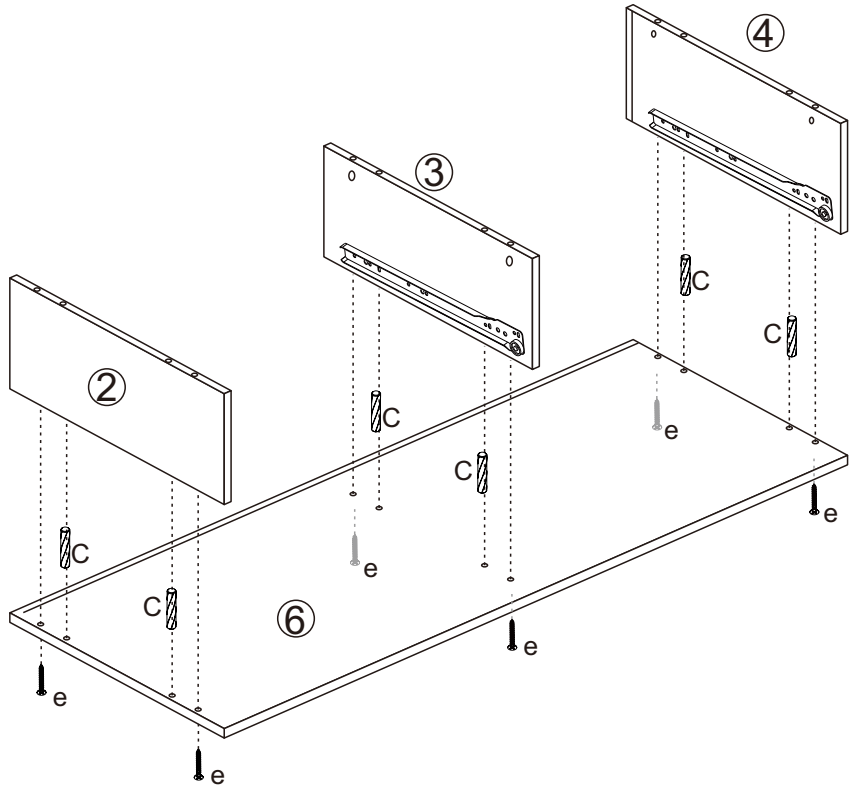
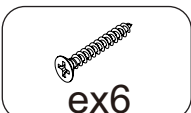
STEP 3.

Fix outer drawer runners (CL) and (CR) to parts 2 and 4, as shown.
Fix outer drawer runners (CL) and (CR) to the both two sides of part 3 using screws (i), as shown.



STEP 4.

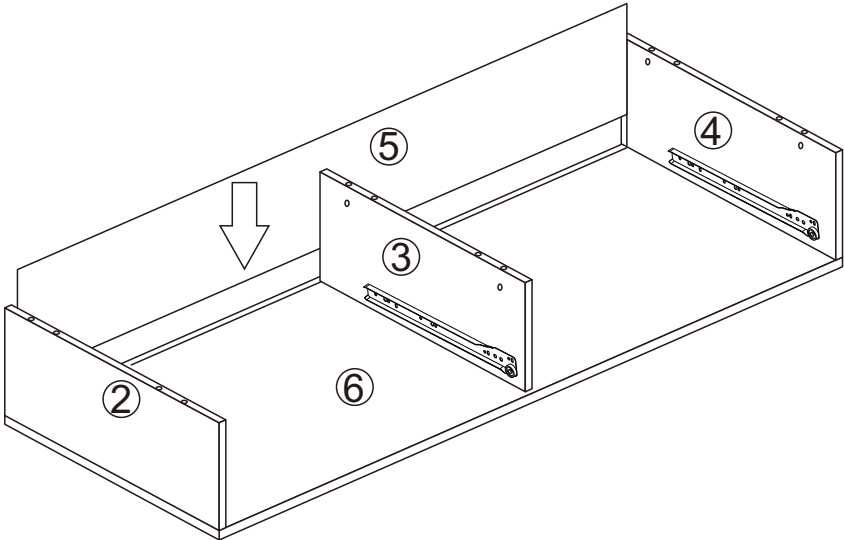
Fix parts 2, 3 and 4 to part 6 using wooden dowels (c) and screws (e), as shown.



ASSEMBLY STEPS

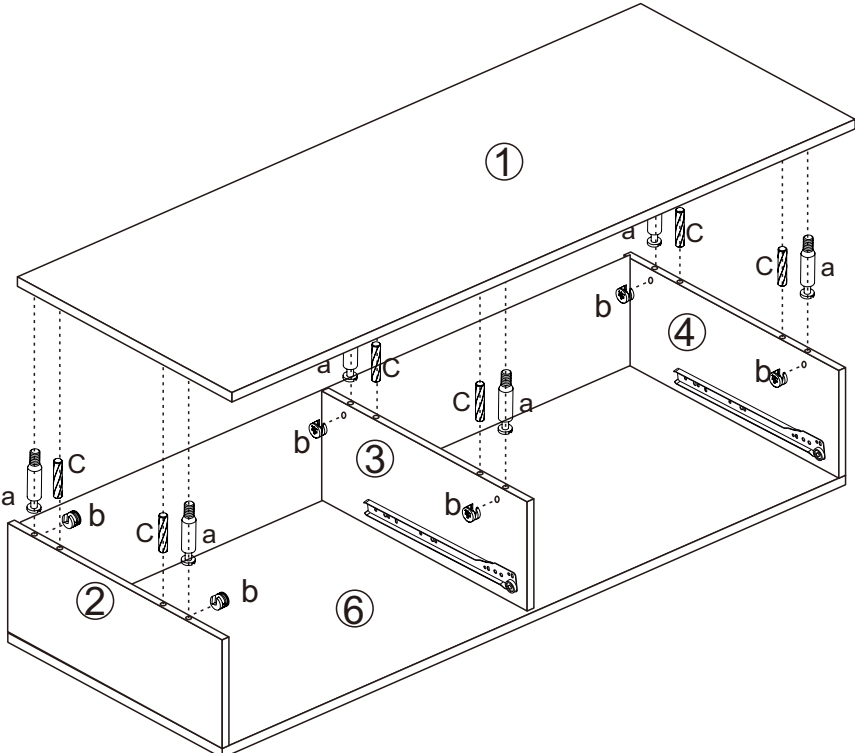
STEP 5.

Slide part 5 into grooves between parts 2, 6 and 4, as shown.



STEP 6.

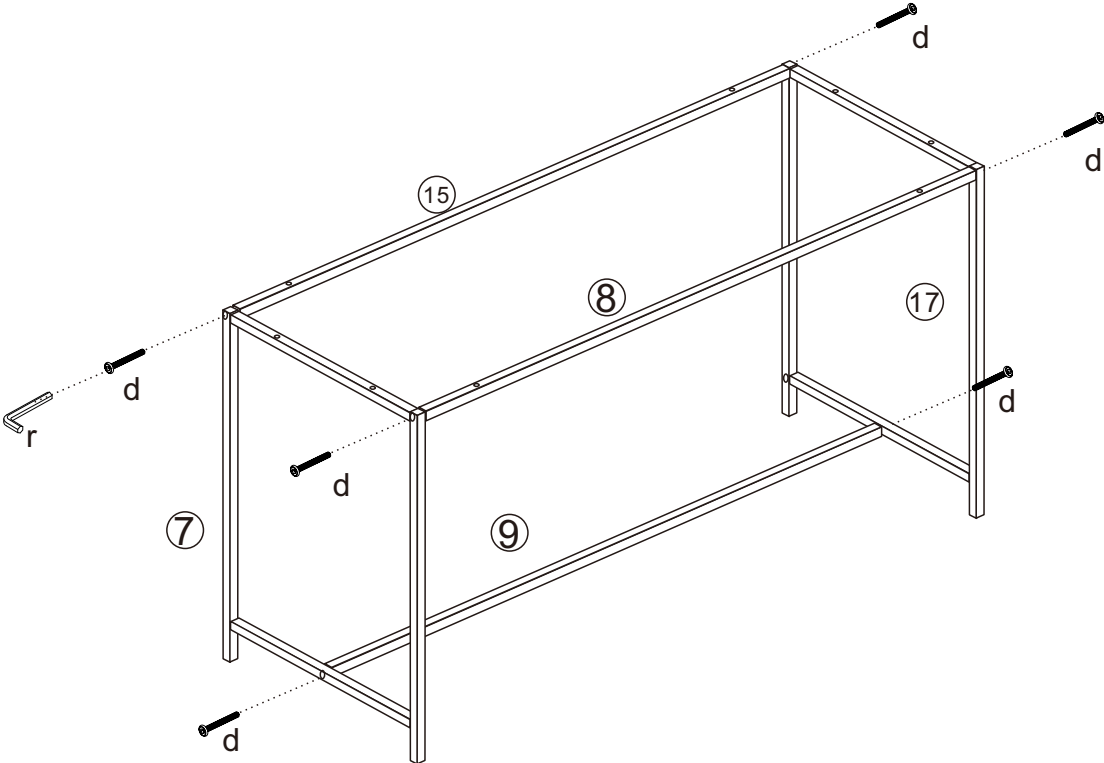
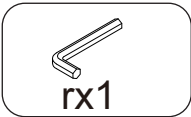
Insert quickfit screws (A) into part 1, as shown.
Insert cam locks (b) and wooden dowels (c) into parts 2, 3 and 4, as shown.
Fit part 1 to parts 2, 3 and 4. Turn cam locks clockwise to tighten.



ASSEMBLY STEPS

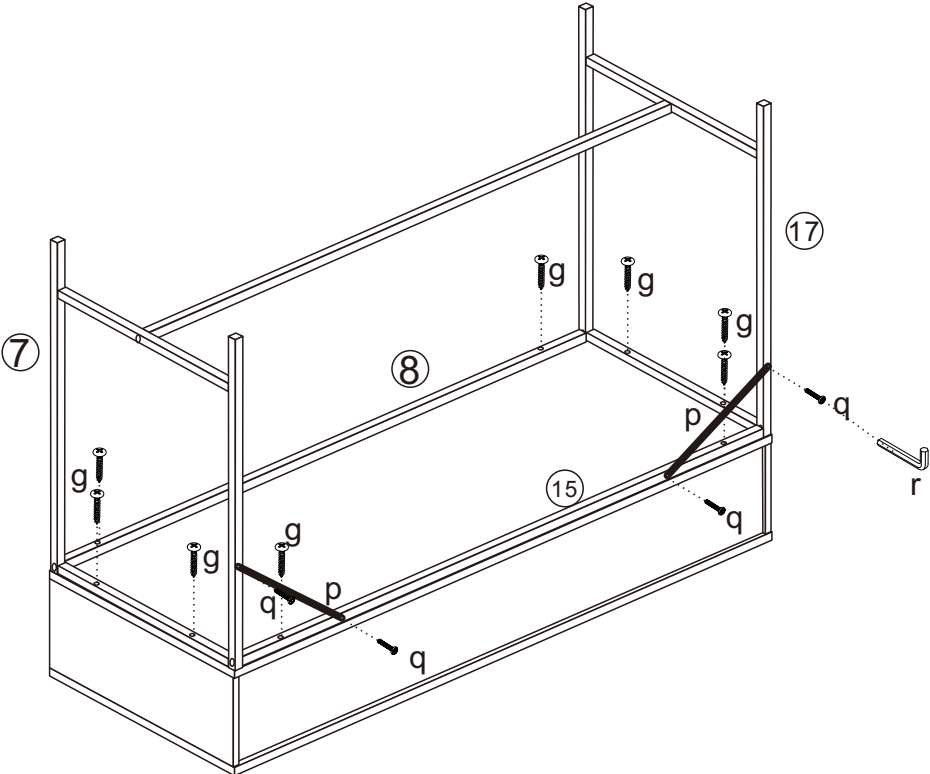
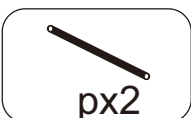
STEP 7.

Fix parts 8, 9 and 15 to parts 7 and 17 using screws (d) and allen key (r), as shown.



STEP 8.

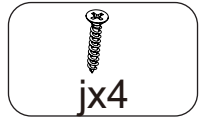
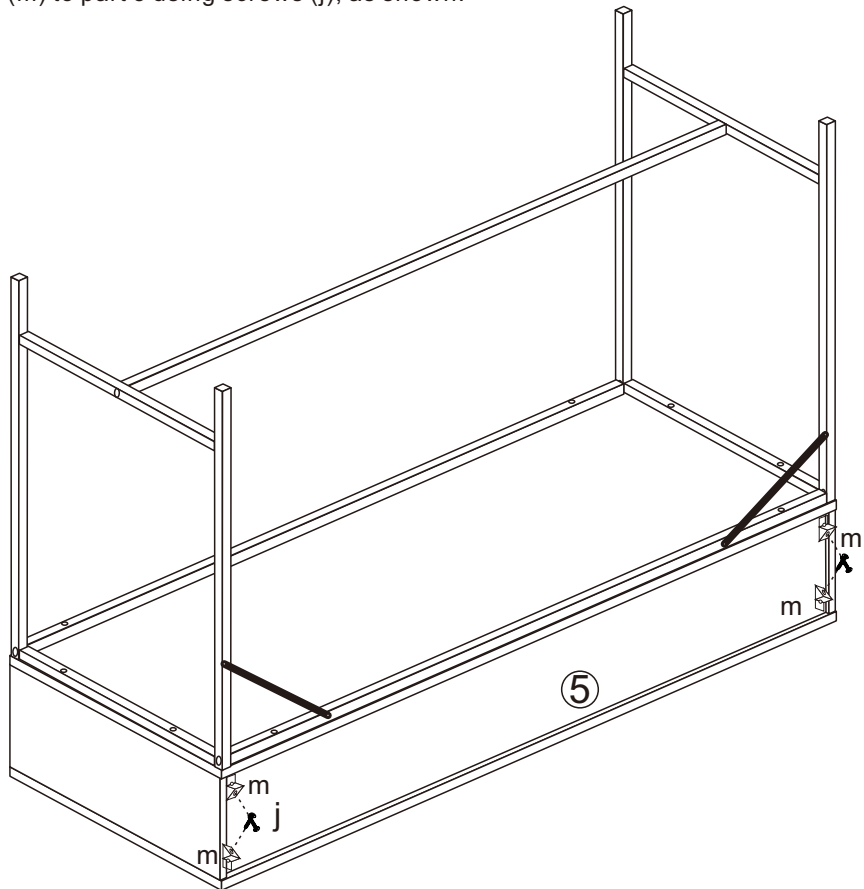
Fix assembled legs to part 6 using screws (g), as shown.
Fix connecting brace (p) to part 15 with parts 7 and 17 using screws (q) and allen key, as shown.



ASSEMBLY STEPS

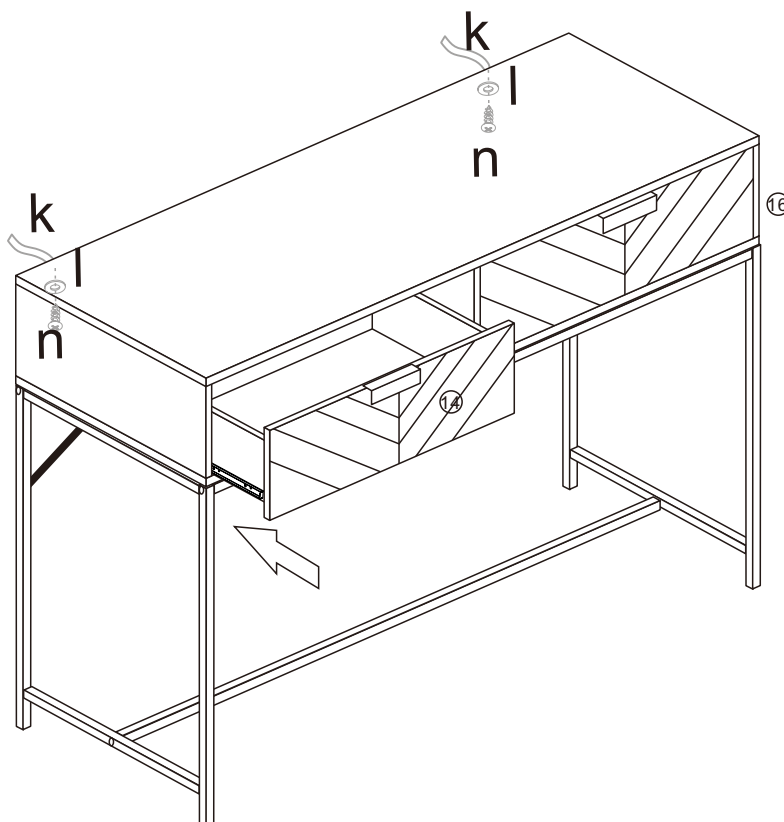
STEP 9.

Fix corner brackets (m) to part 5 using screws (j), as shown.



STEP 10.

Fit drawers into assembled unit, as shown.
Fix wall stops (K) on to part 1 using screws (n) and washers (l), as shown.



ASSEMBLY STEPS

STEP 11.

For extra stability, you must fix your Console table to the wall using hardware (e, l and o), as shown. Screws (e) are fixed through wall straps and washers (l) and into the wall plugs (o). Should you choose not to affix the product to the wall, serious injury may be caused if the product tips over.

