

ASSEMBLY INSTRUCTIONS

MODEL : LOVELLA LOUNGE CHAIR

IMPORTANT NOTE :

- * PLACE ALL WOODEN PARTS ON A CLEAN AND SMOOTH SURFACE SUCH AS A RUG OR CARPET TO AVOID THE PARTS FROM BEING SCRATCHED.
- * PLEASE FOLLOW ASSEMBLY INSTRUCTIONS STEP BY STEP.
- * DO NOT FULLY TIGHTEN ALL SCREWS UNTIL THE CHAIR PARTS HAVE BEEN ASSEMBLED.

HARDWARE LIST			PART LIST		
A	JCBC M6 x 50mm + S/W M6 + F/W M6 x 13mm	4PCS	1	LEG (LEFT)	1PC
			2	LEG (RIGHT)	1PC
B	JCBC M6 x 70mm + S/W M6 + F/W M6 x 13mm	4PCS	3	STRETCHER (LONG)	1PC
			4	STRETCHER (SHORT)	1PC
C	ALLEN KEY M4 (Ball Shape)	1PC	5	CUSHION SEAT	1PC

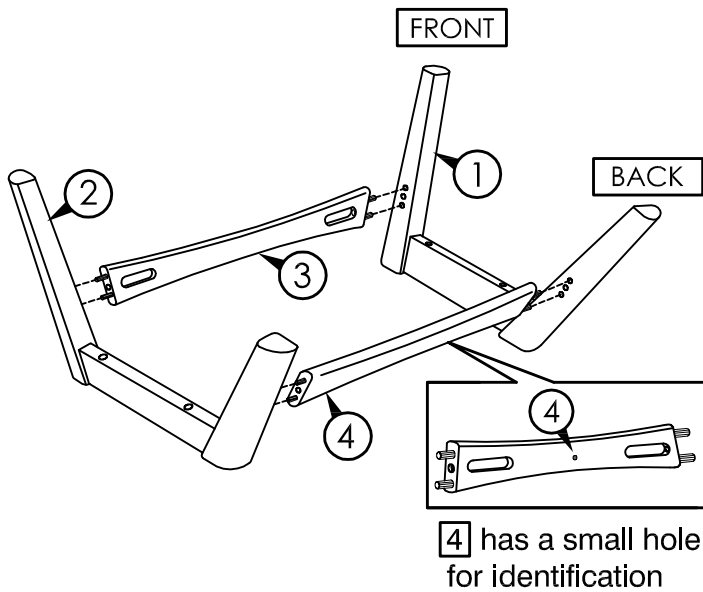
PLEASE NOTE :

(1) DO NOT FULLY-TIGHTEN THE NUTS AND BOLTS UNTIL ALL PARTS HAVE BEEN ASSEMBLED.

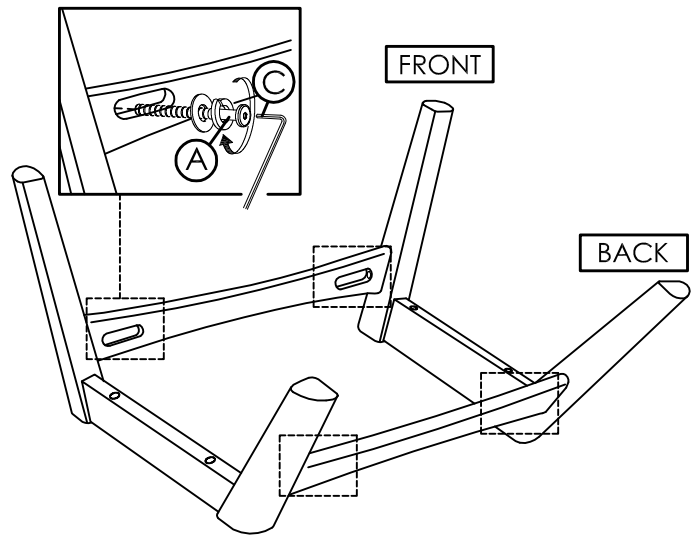
(TO AVOID CAUSING DAMAGE TO THE THREADS, DO NOT OVER-TIGHTEN THE NUTS AND BOLTS.)

(2) KEEP ALL PARTS OUT OF THE REACH OF CHILDREN.

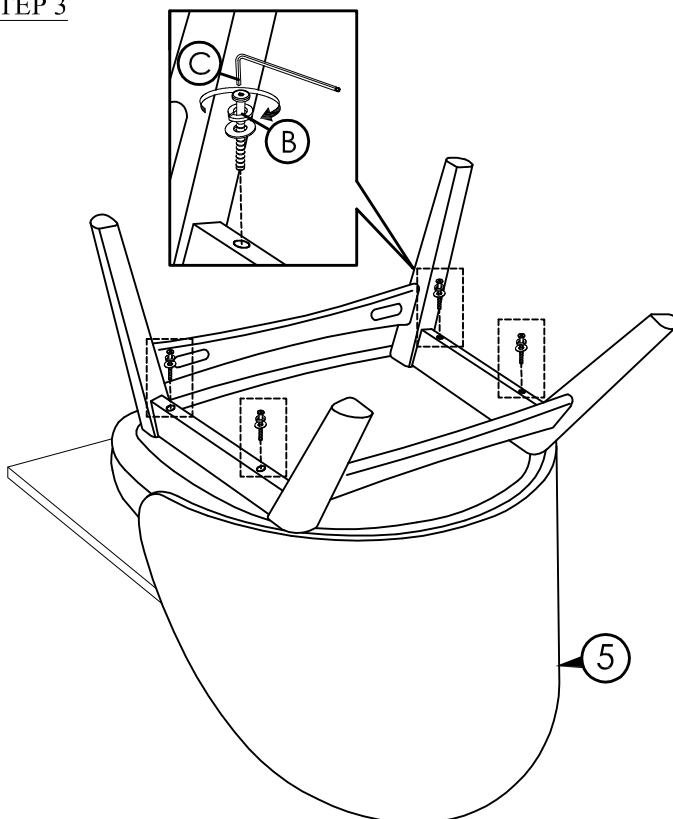
STEP 1



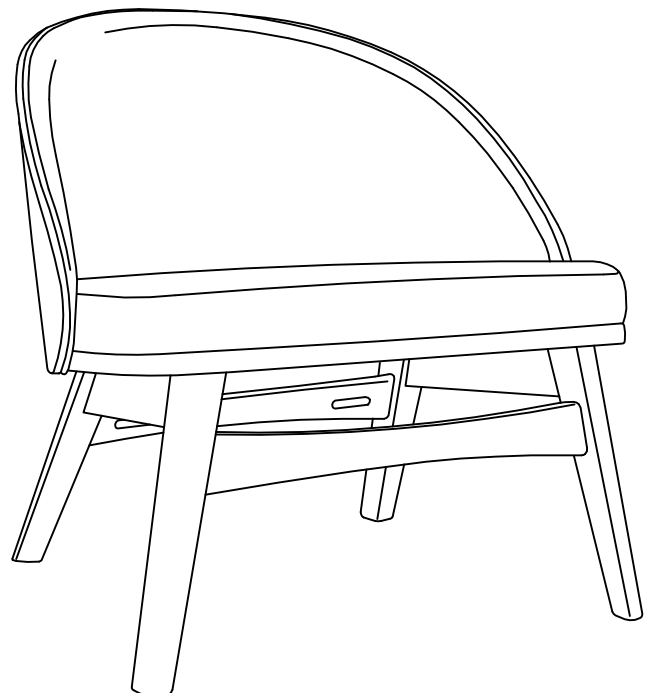
STEP 2



STEP 3



STEP 4



COMPLETED CHAIR ASSEMBLY.