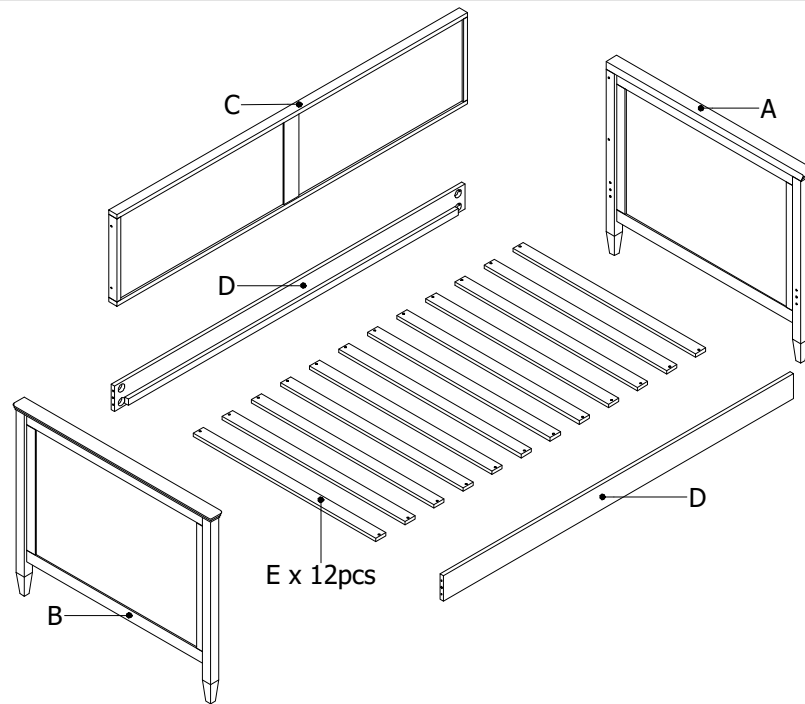


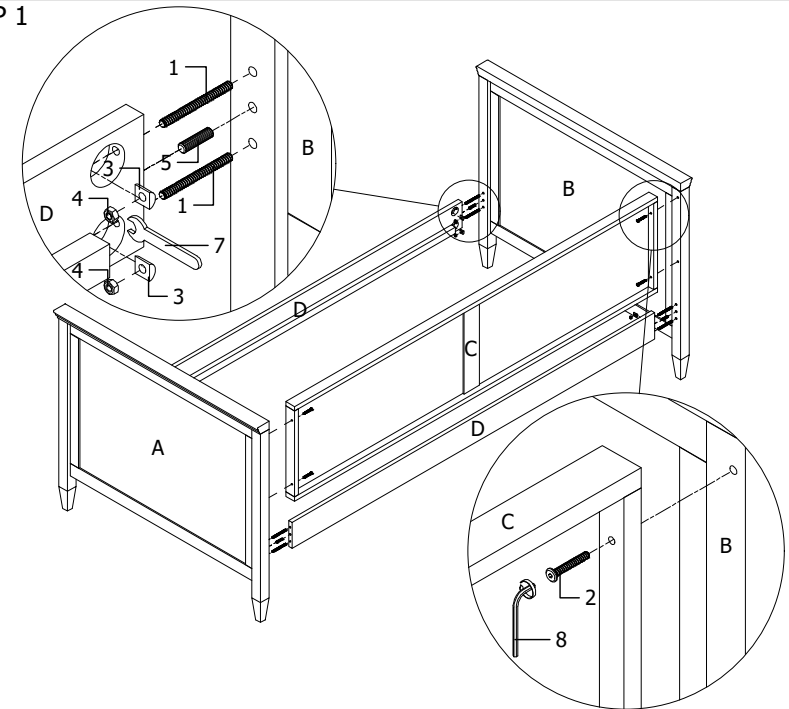
# ASSEMBLY INSTRUCTIONS

MODEL : VIVA TWIN DAYBED

NO	PART LIST	QTY
A	HEADBOARD	1
B	FOOTBOARD	1
C	BACK PANEL	1
D	SIDE RAIL	2
E	SLAT	12

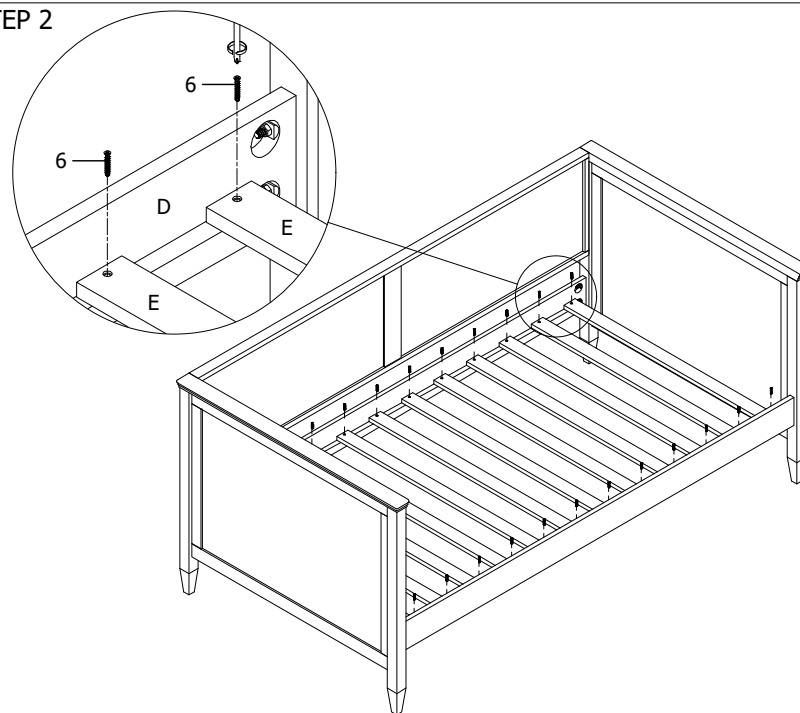


STEP 1



NO	HARDWARE LIST	QTY
1	FULL THREAD STUD M6 x 70mm	8
2	JCBC M6 x 40mm	4
3	NYLON WASHER	8
4	HEX NUT M6	8
5	WOODEN DOWEL M8 x 30mm	4
6	CSK M4 x 25mm	24
7	SPANNER	1
8	ALLEN KEY M4	1

STEP 2



STEP 3

