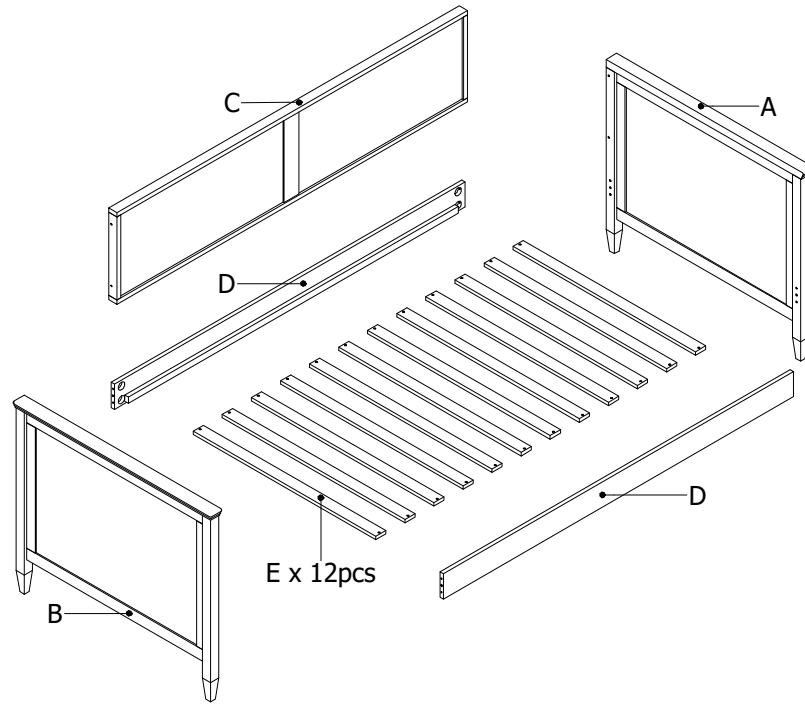


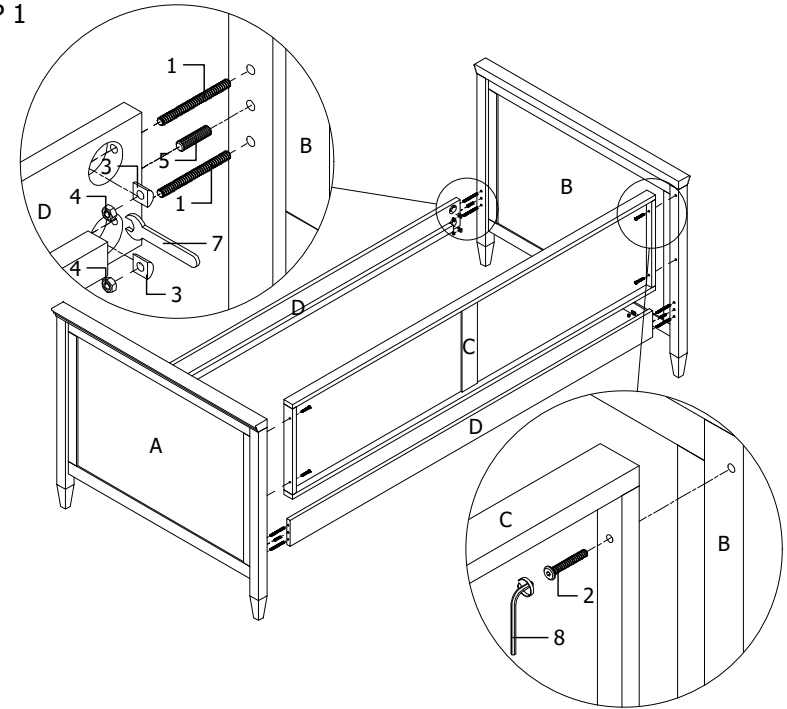
ASSEMBLY INSTRUCTIONS

MODEL : VIVA TWIN DAYBED

NO	PART LIST	QTY
A	HEADBOARD	1
B	FOOTBOARD	1
C	BACK PANEL	1
D	SIDE RAIL	2
E	SLAT	12

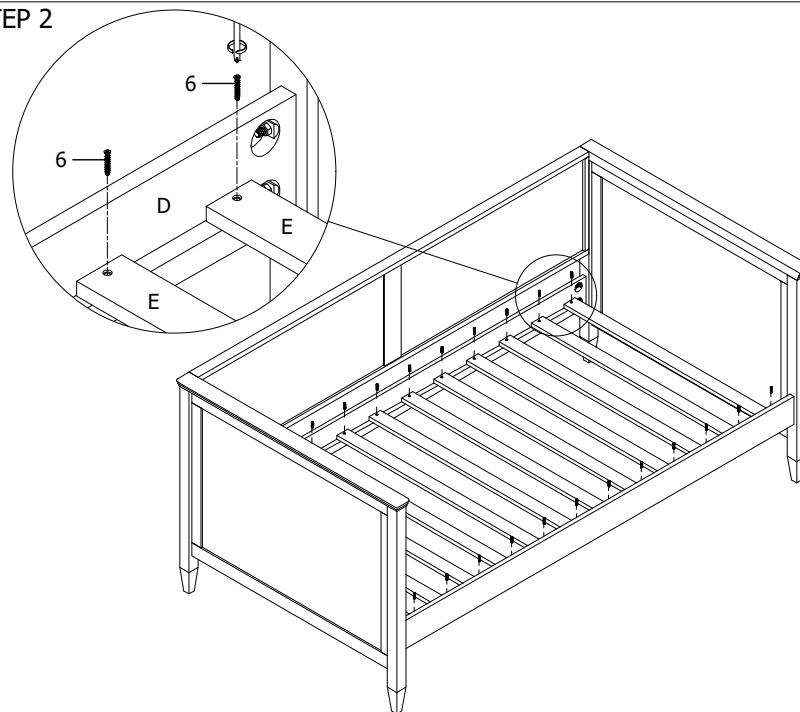


STEP 1

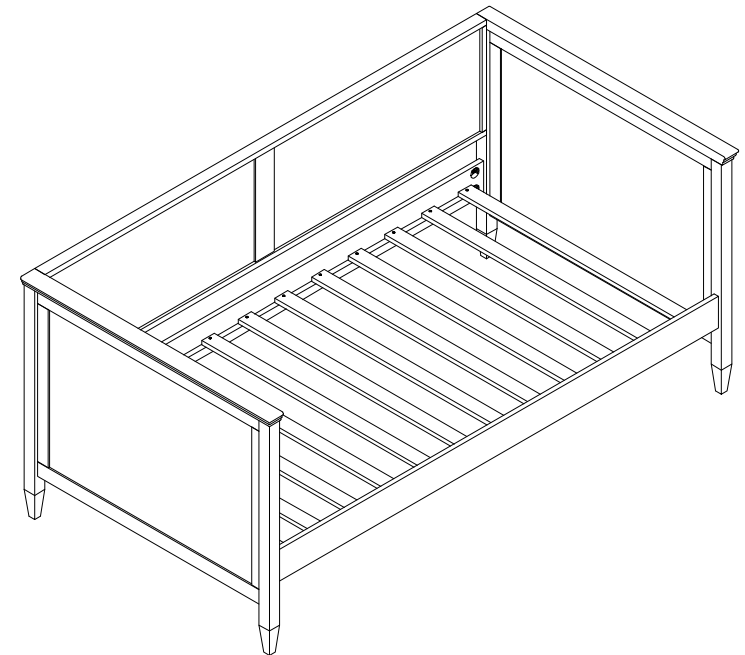


NO	HARDWARE LIST	QTY
1	FULL THREAD STUD M6 x 70mm	8
2	JCBC M6 x 40mm	4
3	NYLON WASHER	8
4	HEX NUT M6	8
5	WOODEN DOWEL M8 x 30mm	4
6	CSK M4 x 25mm	24
7	SPANNER	1
8	ALLEN KEY M4	1

STEP 2







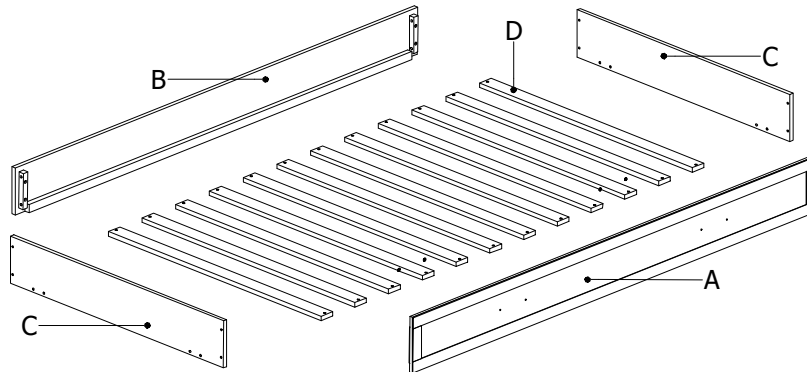
STEP 3



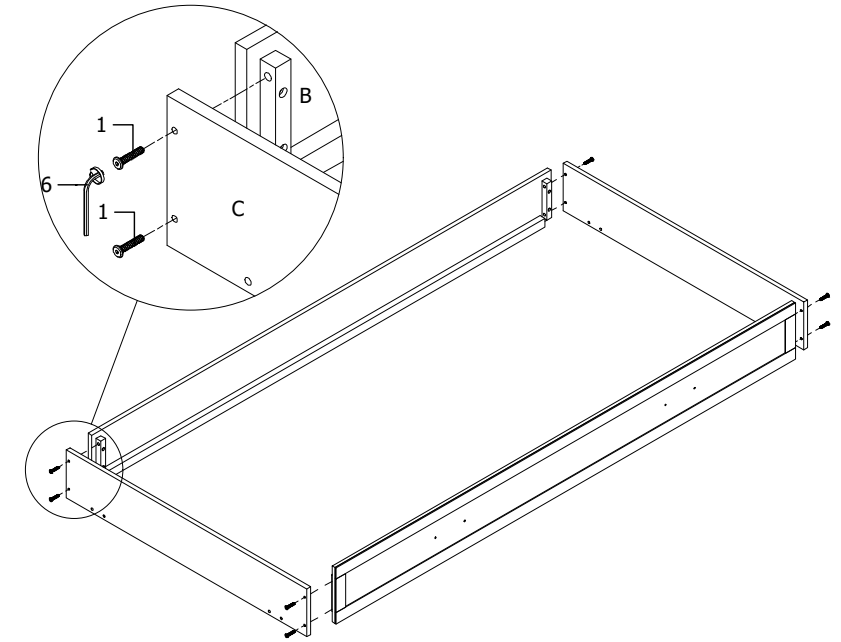
ASSEMBLY INSTRUCTIONS

MODEL : VIVA TRUNDLE

NO	PART LIST	QTY
A	FRONT FRAME 	1
B	BACK FRAME 	1
C	SIDE FRAME 	2
D	SLAT 	12

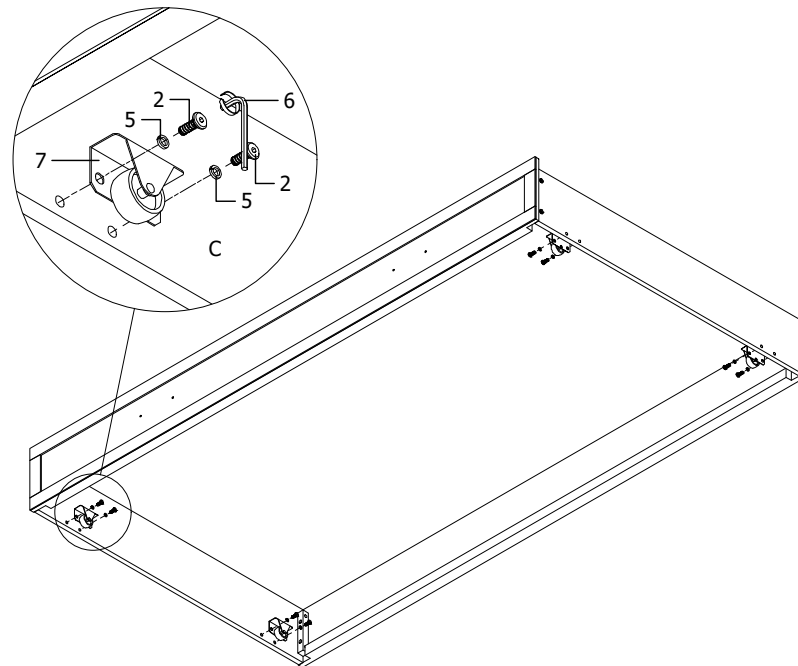


STEP 1



NO	HARDWARE LIST	QTY
1	JCBC M6 x 30mm 	8
2	JCBC M6 x 16mm 	8
3	CSK M4 x 25mm 	24
4	THMS M4 x 19mm 	4
5	SPRING WASHER 	8
6	ALLEN KEY M4 	1
7	CASTER 	4
8	METAL HANDLE 	2
9	WHITE PLASTIC WASHER 	8

STEP 2



ASSEMBLY COMPLETE

