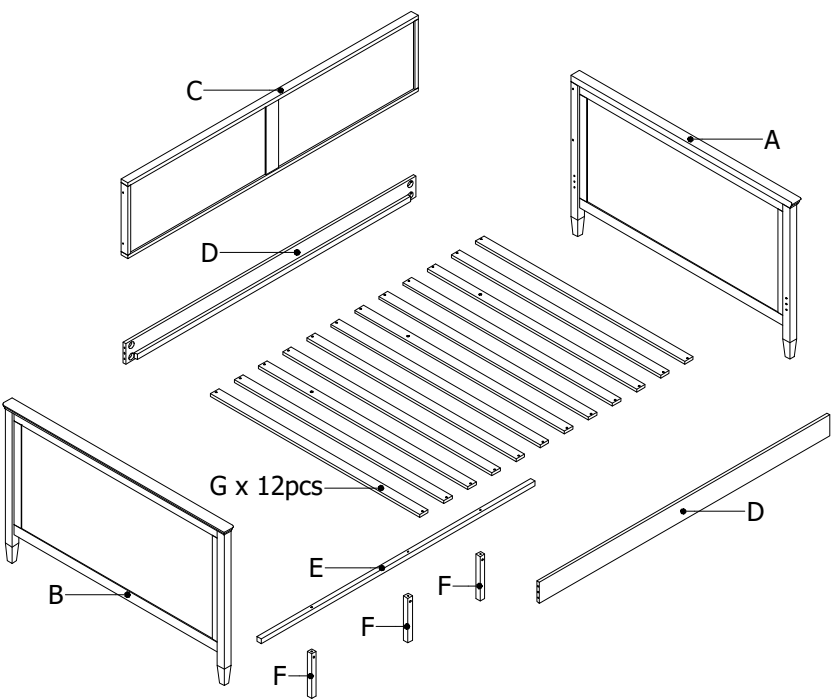


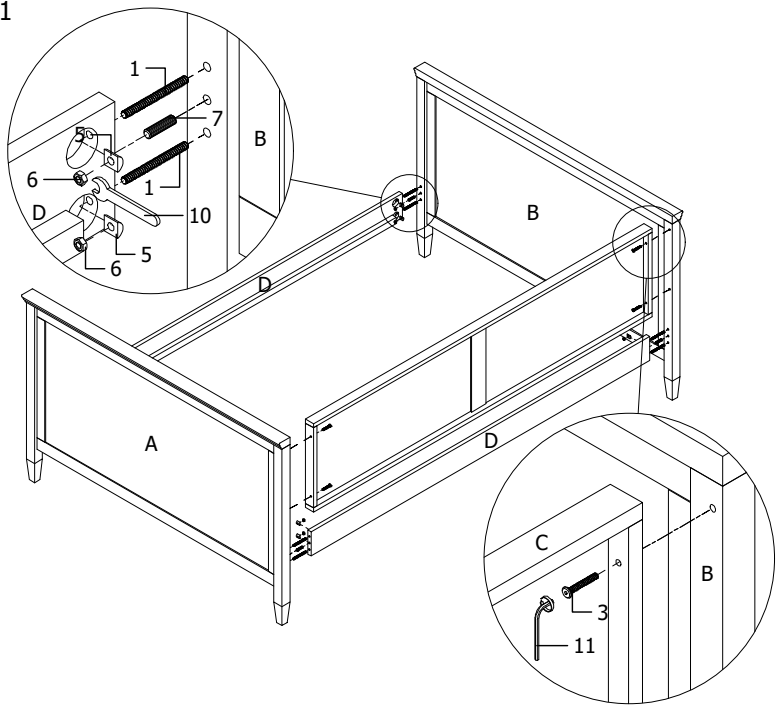
MODEL : VIVA FULL DAYBED

NO	PART LIST	QTY
A	HEADBOARD	1
B	FOOTBOARD	1
C	BACK PANEL	1
D	SIDE RAIL	2
E	CENTER SUPPORT	1
F	CENTER LEG	3
G	SLAT	12
NO	HARDWARE LIST	QTY
1	FULL THREAD STUD M6 x 70mm	8
2	JCBC M6 x 80mm	3
3	JCBC M6 x 40mm	4
4	BARREL NUT M6	3
5	NYLON WASHER	8
6	HEX NUT M6	8
7	WOODEN DOWEL M8 x 30mm	4
8	CSK M4 x 25mm	24
9	BASE GLIDE	3
10	SPANNER	1
11	ALLEN KEY M4	1

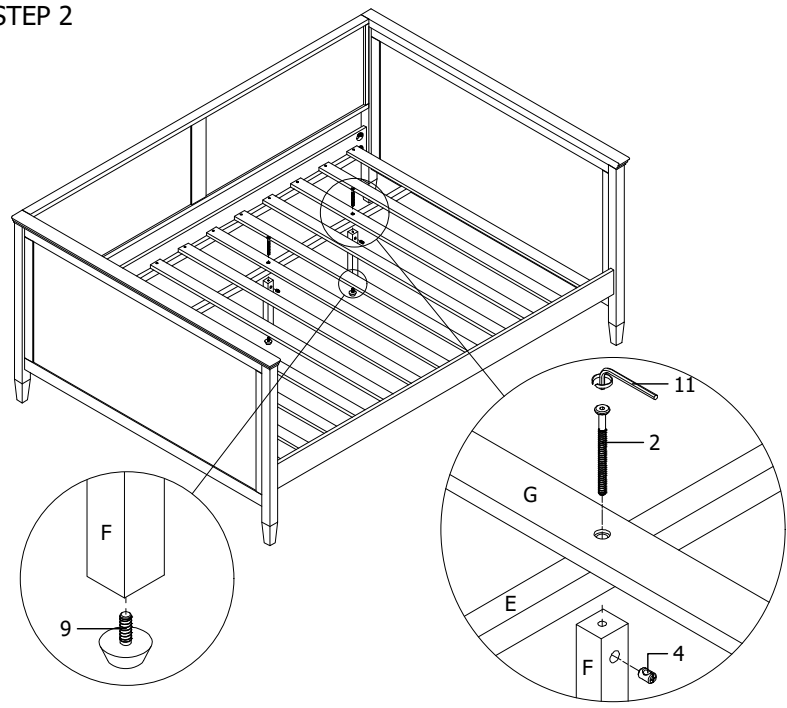
ASSEMBLY INSTRUCTIONS



STEP 1



STEP 2



STEP 3

