

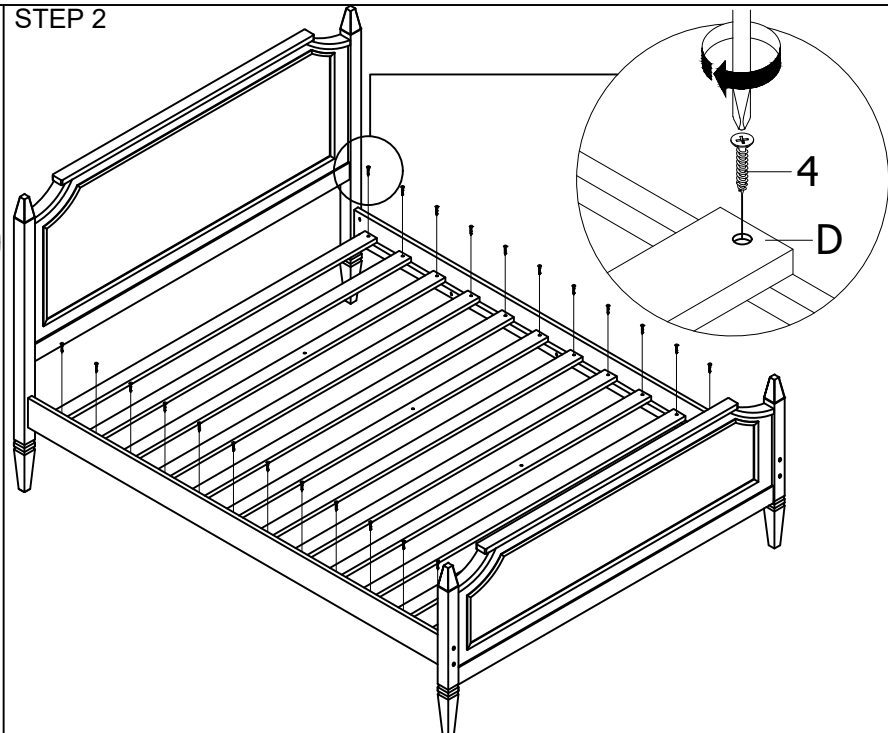
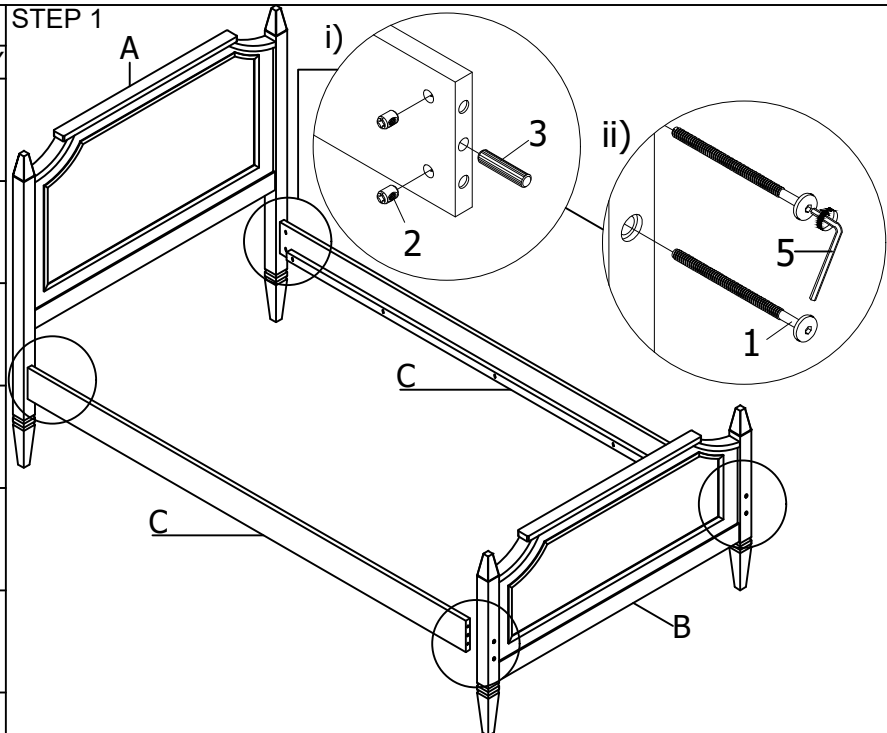
# ASSEMBLY INSTRUCTION

MODEL:MARIANA FULL BED

STEP 1

STEP 2

NO	PART LIST	QTY
A	HEADBOARD	1 Pcs
B	FOOTBOARD	1 Pcs
C	SIDE RAIL (Left & Right)	2 Pcs
D	BED SLAT	12 Pcs
E	CENTER SUPPORT	1 Pcs
F	CENTER LEG	3 Pcs



NO	HARDWARE LIST	QTY
1	JCBC M6 x 80mm	11 Pcs
2	BARREL NUT	11 Pcs
3	WOODEN DOWNER	4 Pcs
4	CSK M4 x 25mm	24 Pcs
5	ALLEN KEY M4	1 Pcs
6	BASED GLIDE	3 Pcs

STEP 3

COMPLETE ASSEMBLY

