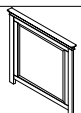
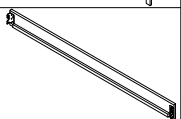
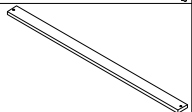
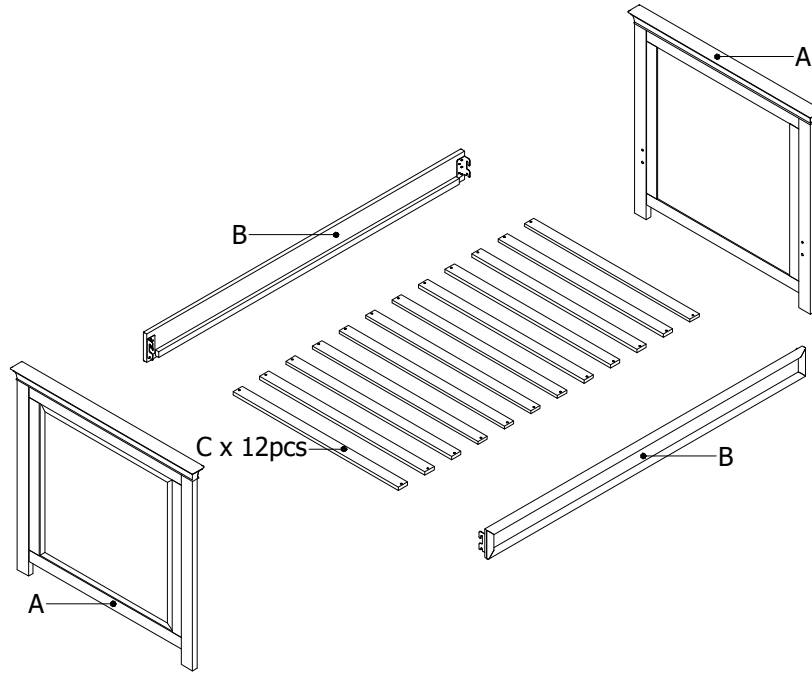


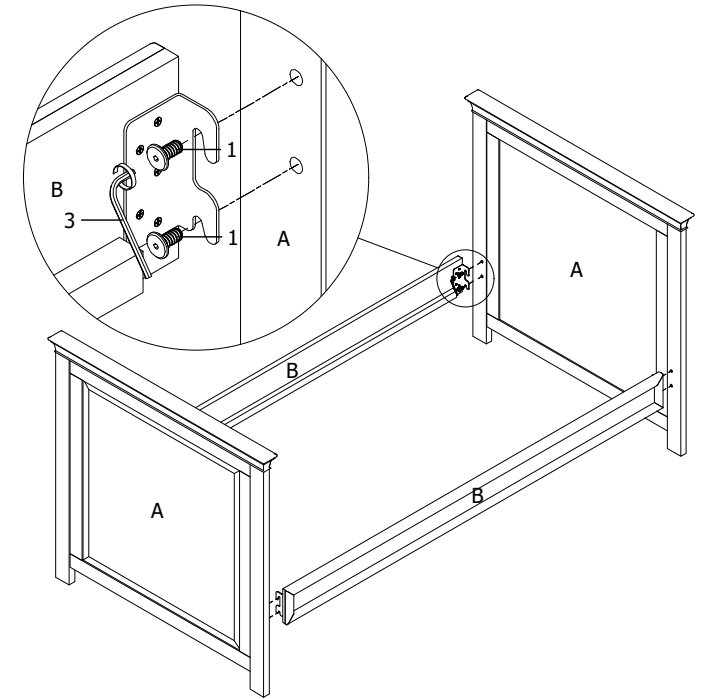
ASSEMBLY INSTRUCTIONS

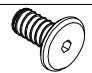


MODEL : CERI TWIN DAYBED

NO	PART LIST	QTY
A	HEADBOARD/ FOOTBOARD 	2
B	SIDE RAIL 	2
C	SLAT 	12

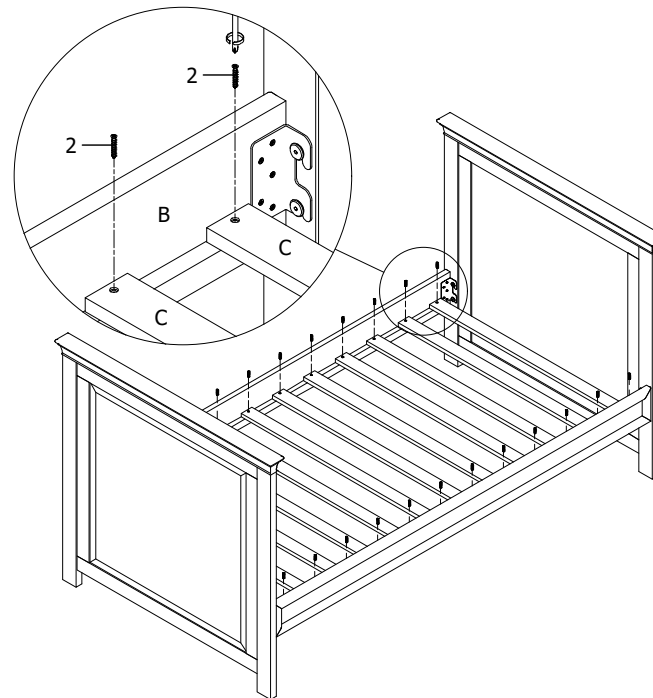


STEP 1



NO	HARDWARE LIST	QTY
1	JCBB M8 x 16mm 	8
2	CSK M4 x 25mm 	24
3	ALLEN KEY M5 	1

STEP 2



STEP 3

