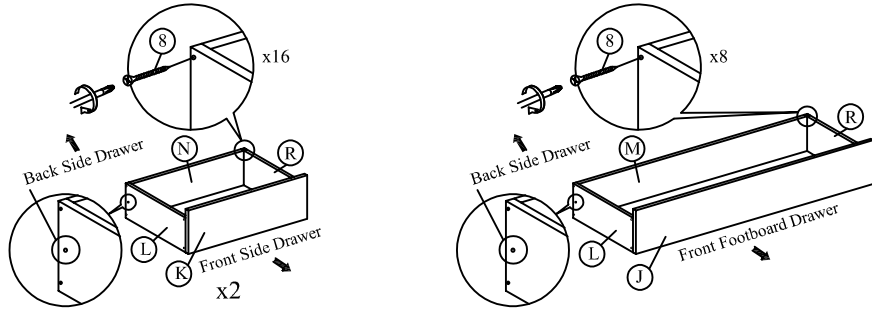


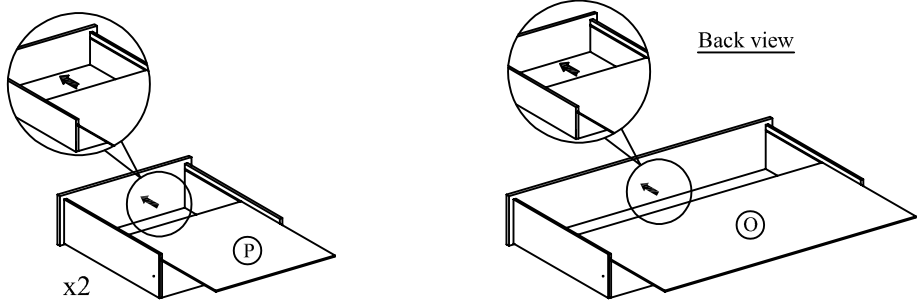
Assembly Instruction

CF 9270-B (5' QUEEN)		
A	Headboard	1pc
B	Footboard	1pc
C	Side Rail	2pcs
D	Side Wing	2pcs
E	Footboard Side Legs 80 x 35 x 50(H)	2pcs
F	Center Rail 1942mm	1pc
G	10 Slat 1547mm	1pc
H	Support Legs 265mm	3pcs
I	Side Rail Support Legs 266 x 60 x 15mm	4pcs
J	Footboard Front Panel	1pc
K	Side Rail Front Panel	2pcs
(L)	Left Side Panel	3pcs
(R)	Right Side Panel	3pcs
M	Footboard Back Panel	1pc
N	Side Rail Back Panel	2pcs
O	Footboard Bottom Panel	1pc
P	Side Rail Bottom Panel	2pcs
Q	Bottom Panel Big Support Wood	7pcs
S	Bottom Panel Small Support Wood	4pcs
HARDWARE		
1	JCBC M6 x 60	3pcs
2	JCBC M6 x 50	12pcs
3	Allen Key 100mm	1pc
4	Allen Key 70mm	1pc
5	CSK Screw 16mm	56pcs
6	CSK Screw 28mm	8pcs
7	CSK Screw 32mm	56pcs
8	CSK Screw 50mm	24pcs
9	JCBB M8 x 20	4pcs
10	Small Adjuster	3pcs
11	Wood Dowel 20mm	8pcs
12	Metal Stopper	6pcs
13	Roller	14pcs
14	Spring Washers	10pcs
15	Flat Washers	10pcs

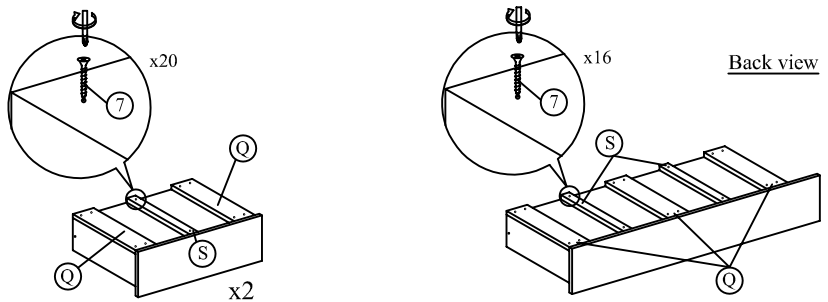
Step 1



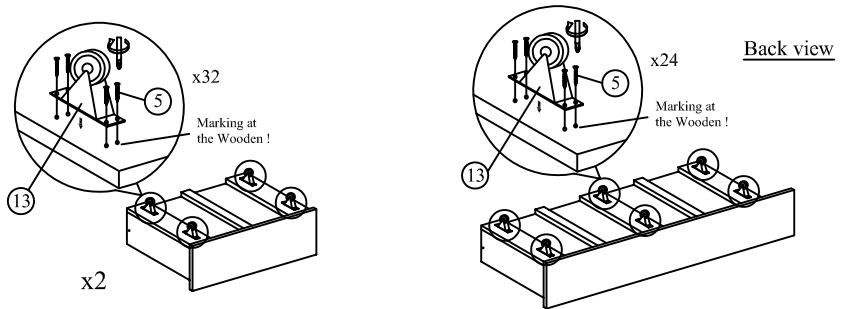
Step 2



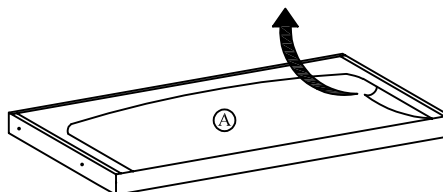
Step 3



Step 4



Step 5

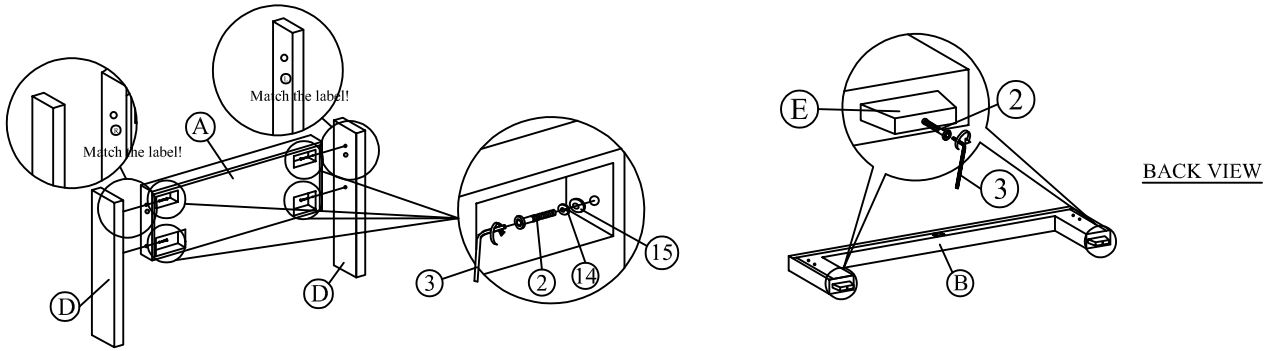


BACK VIEW

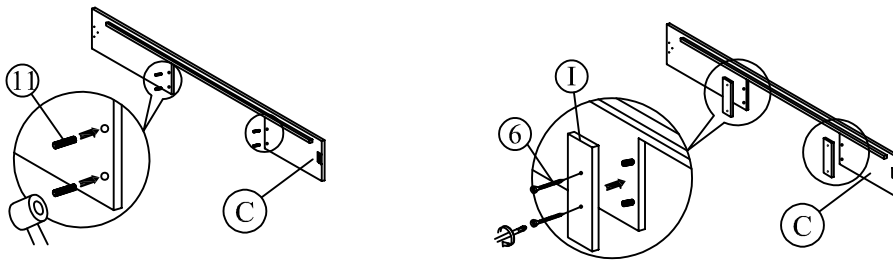
Attention: Zip the black non-woven fabric after take out the parts !!

Assembly Instruction

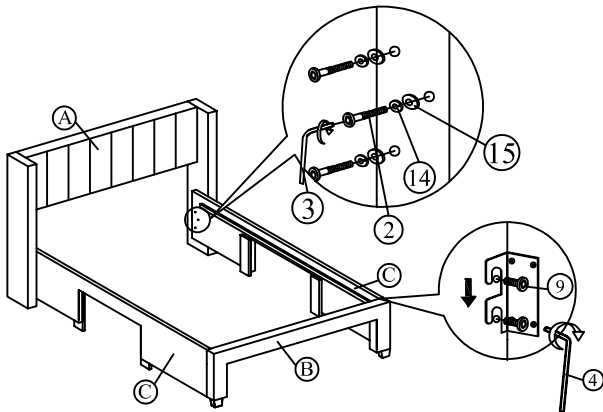
Step 6



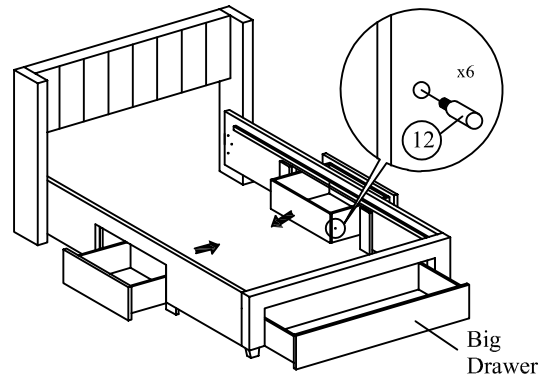
Step 7



Step 8



Step 9



Step 10

