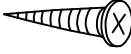



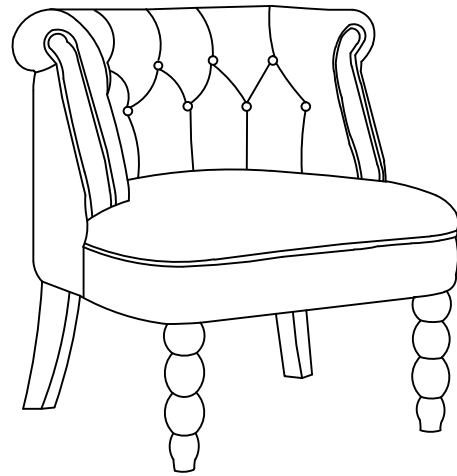


# ASSEMBLY INSTRUCTION

NO	Drawing	Description	Q. TY
A			8
B			4
1		BACK FEET	2
2		FRONT FEET	2



Remark: FRONT FEET "No pre drilled holes for screws required"

