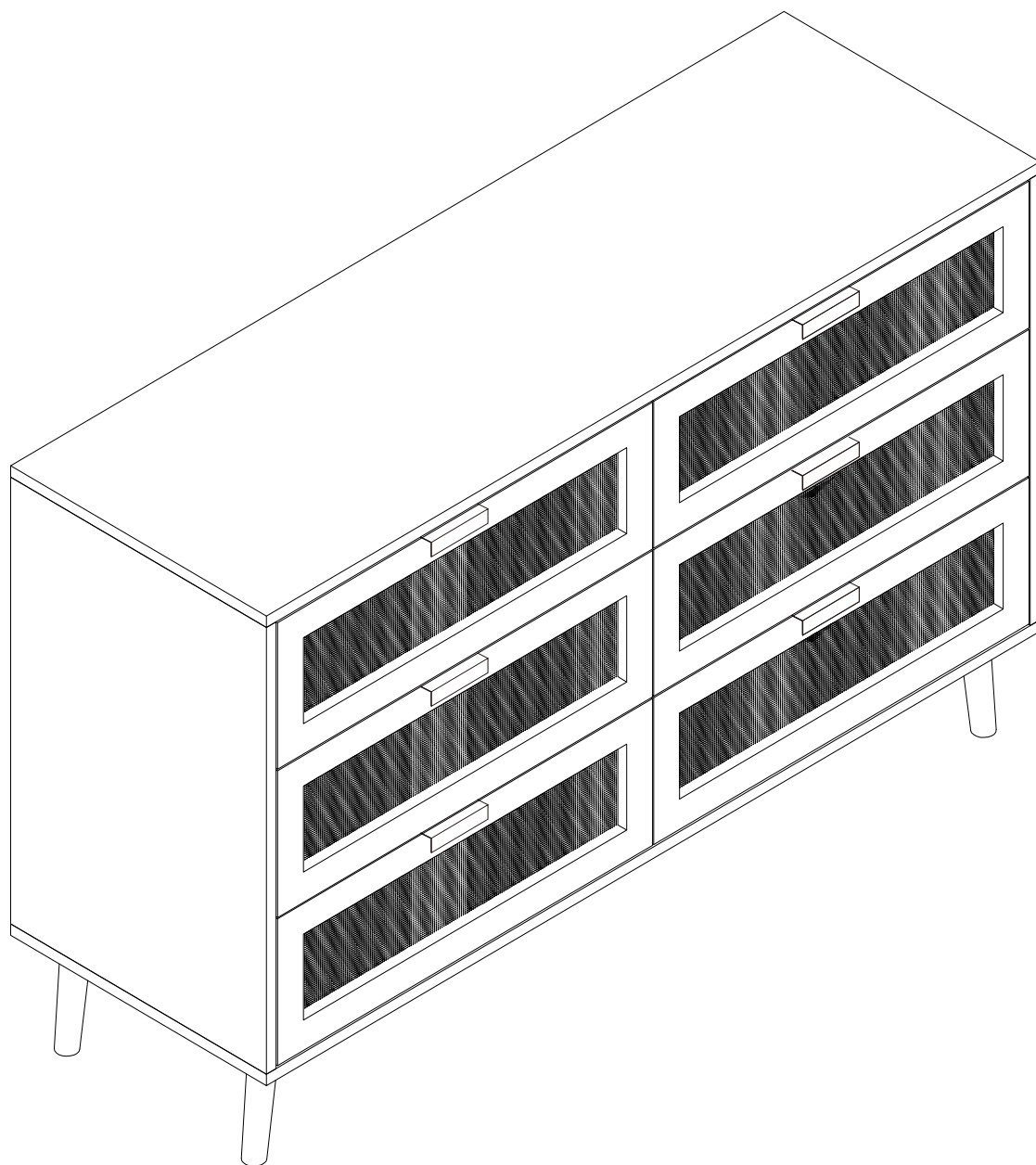
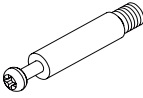
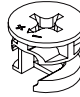

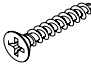
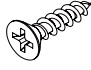
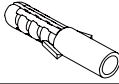
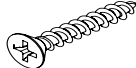
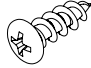
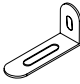

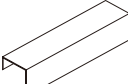





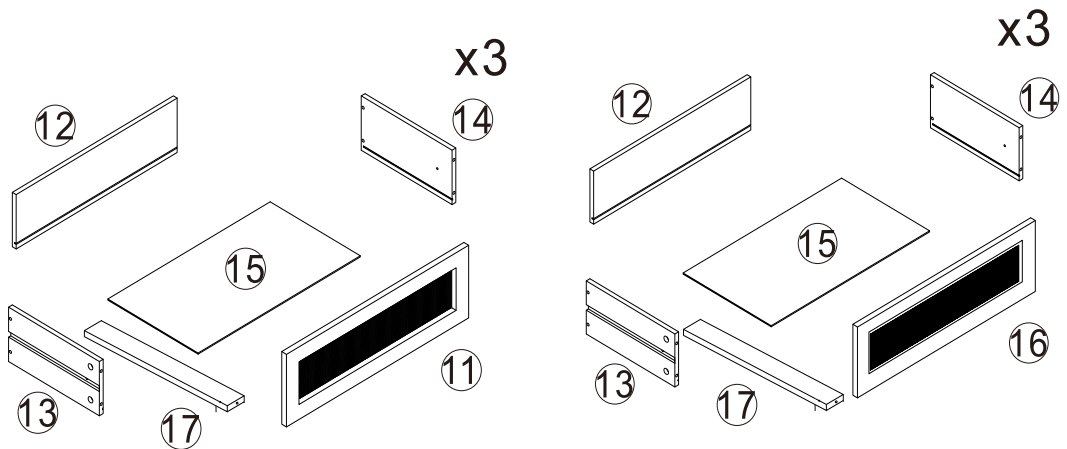
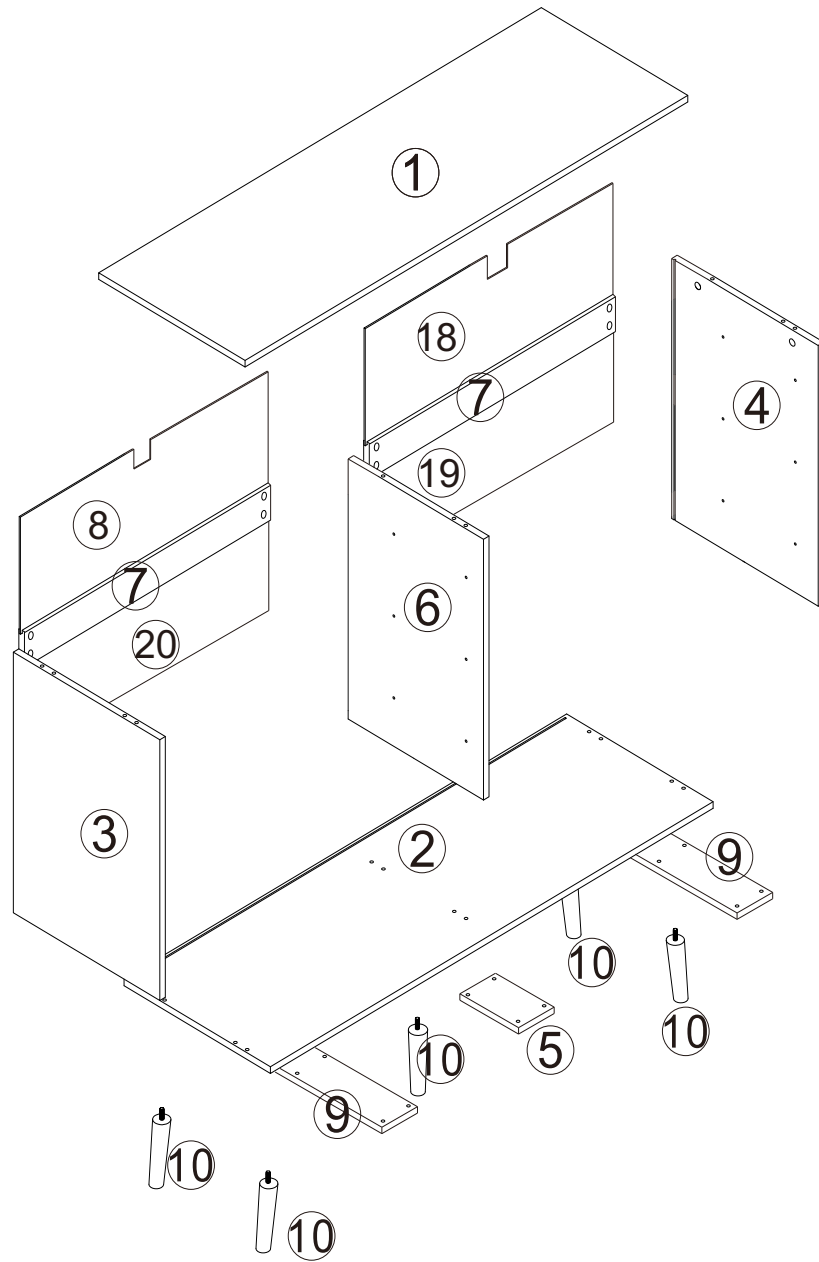


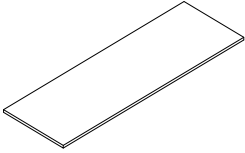
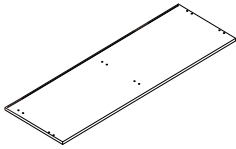
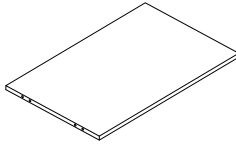
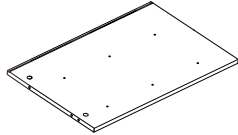
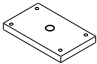
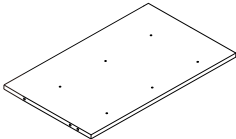
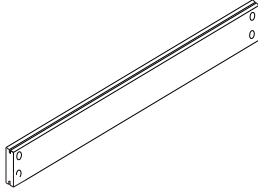
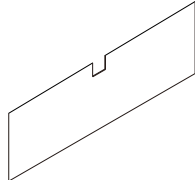
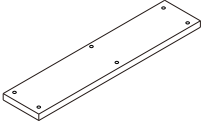
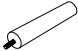
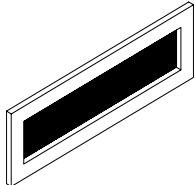
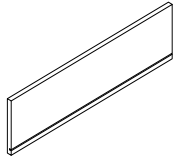
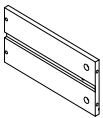
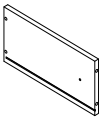
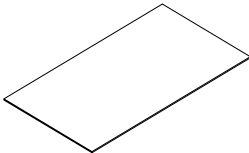
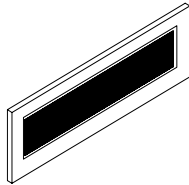
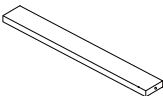
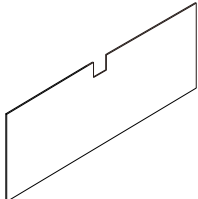
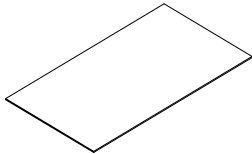
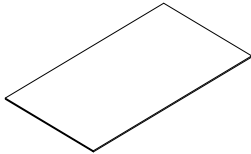
WI12937



ITEM	PART		QTY
A	Cam Bolt		44PCS
B	Cam Lock		44PCS
C	Wooden Dowel		12PCS
D	Self-tapping Screw 4*30MM		30PCS
E	Self-tapping Screw 3*12MM		36PCS
F	Plastic Anchor		2PCS
G	Self-tapping Screw 4*35MM		8PCS
H	Self-tapping Screw 4*12MM		2PCS
I	Anti-topple Metal Plate		2PCS
J	Self-tapping Screw 4*25MM		16PCS
K	Handle		6PCS
L	Drawer Slide		12PCS
M	Button Head Bolt 4*10MM		12PCS
N	Self-tapping Screw 3*14MM		16PCS
O	Back Panel Buckle		16PCS
P	Washer		4PCS

Panels



<p>①x1</p>  <p>Top Panel</p>	<p>②x1</p>  <p>Bottom Panel</p>	<p>③x1</p>  <p>Left Side Panel</p>	<p>④x1</p>  <p>Right Side Panel</p>
<p>⑤x1</p>  <p>Leg Support Panel</p>	<p>⑥x1</p>  <p>Spacer Plate</p>	<p>⑦x2</p>  <p>Back Panel Slat</p>	<p>⑧x1</p>  <p>Upper Left Back Panel</p>
<p>⑨x2</p>  <p>Leg Support Panel</p>	<p>⑩x5</p>  <p>Leg</p>	<p>⑪x3</p>  <p>Left Front Drawer Panel</p>	<p>⑫x6</p>  <p>Drawer Back Panel</p>
<p>⑬x6</p>  <p>Left Drawer Side Panel</p>	<p>⑭x6</p>  <p>Right Drawer Side Panel</p>	<p>⑮x6</p>  <p>Bottom Drawer Panel</p>	<p>⑯x3</p>  <p>Right Front Drawer Panel</p>
<p>⑰x6</p>  <p>Drawer Support Slat</p>	<p>⑱x1</p>  <p>Upper Right Back Panel</p>	<p>⑲x1</p>  <p>Lower Right Back Panel</p>	<p>⑳x1</p>  <p>Lower Left Back Panel</p>

Carton1:Part ① ② ⑤ ⑦ ⑧ ⑨ ⑪ ⑮ ⑯ ⑱ ⑳

Carton2:Part ③ ④ ⑥ ⑩ ⑫ ⑬ ⑭ ⑰

1

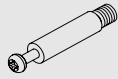
D x 30



B x 30



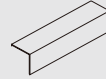
A x 30



E x 12

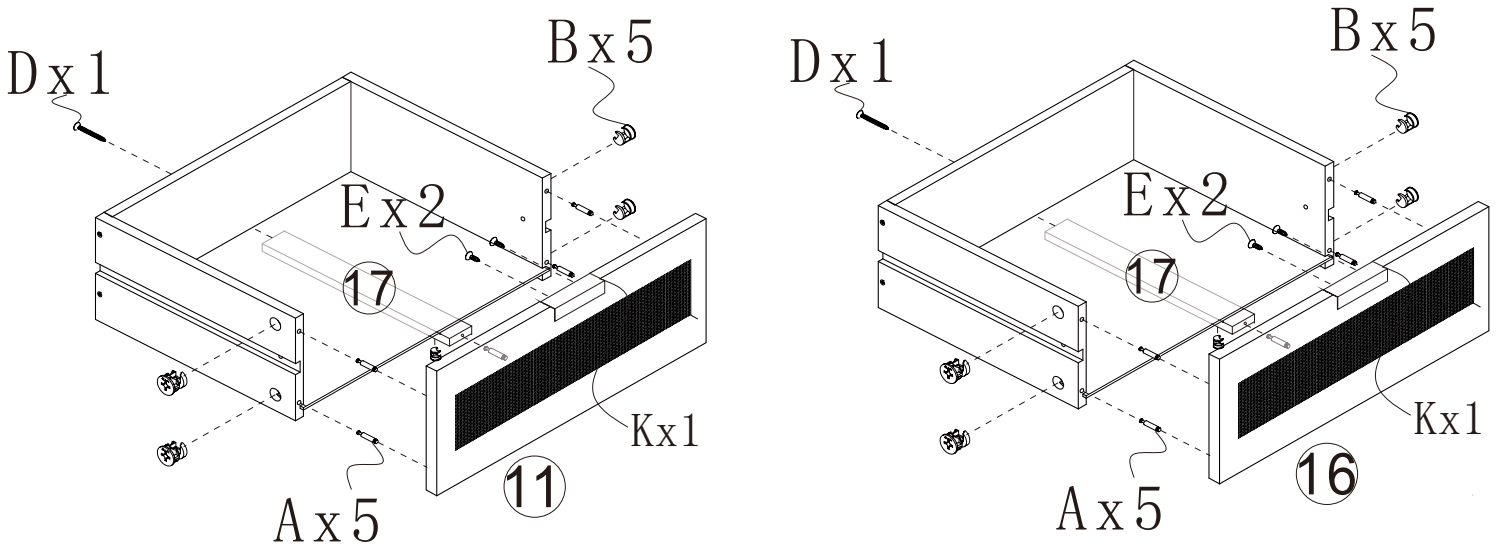
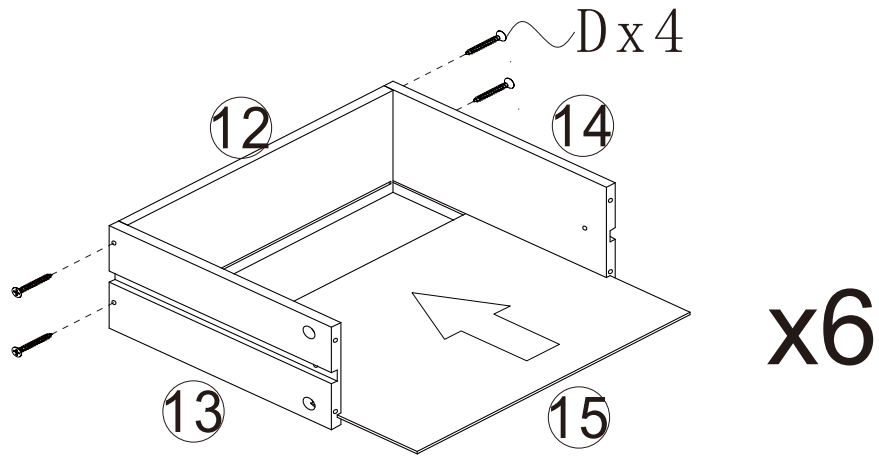


K x 6



Connect Part 12 to 13&14 with Hardware D

Insert Part 15 along the slots of 13&14 and repeat this step six times



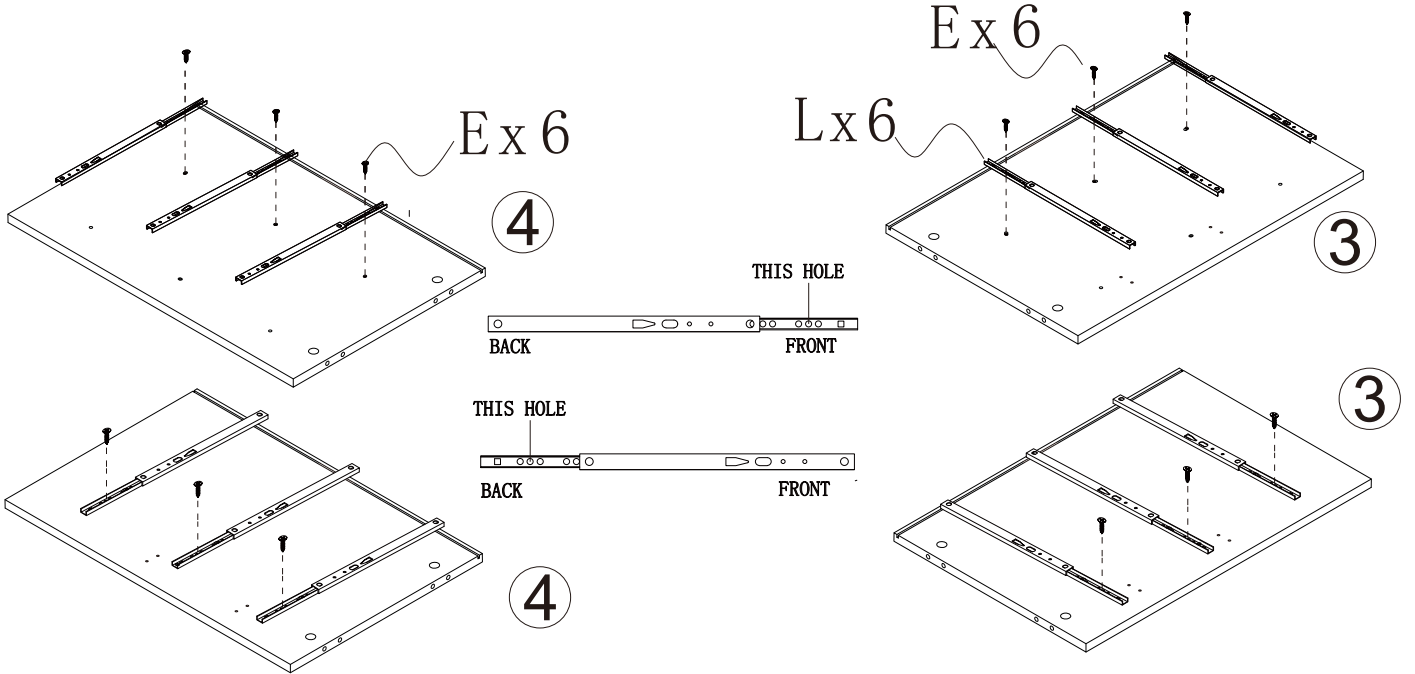
x3

Connect Part 17 to 12 with Hardware D
Install Hardware K on Part 11&16 with E
Lock Part 11&16 to 13&14&17 with Hardware A&B

x3

2

Ex 12 Lx 6



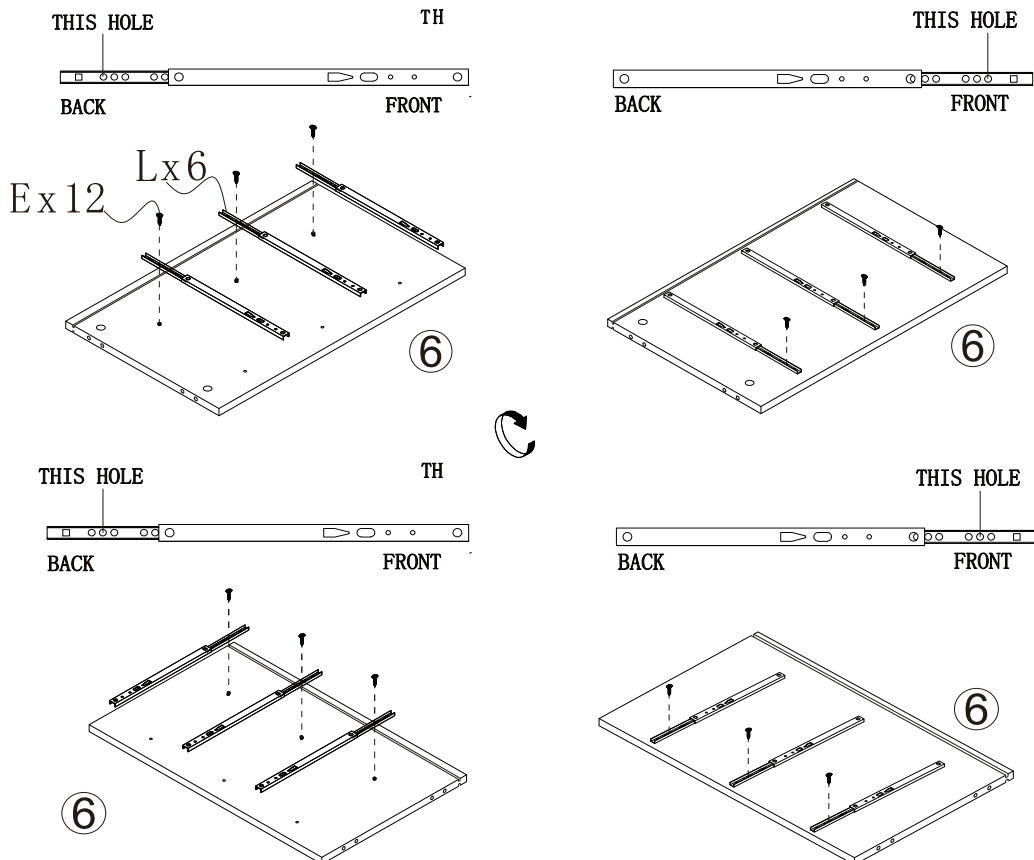
Stretch Hardware L and fix it to Part 3&4 with E

3

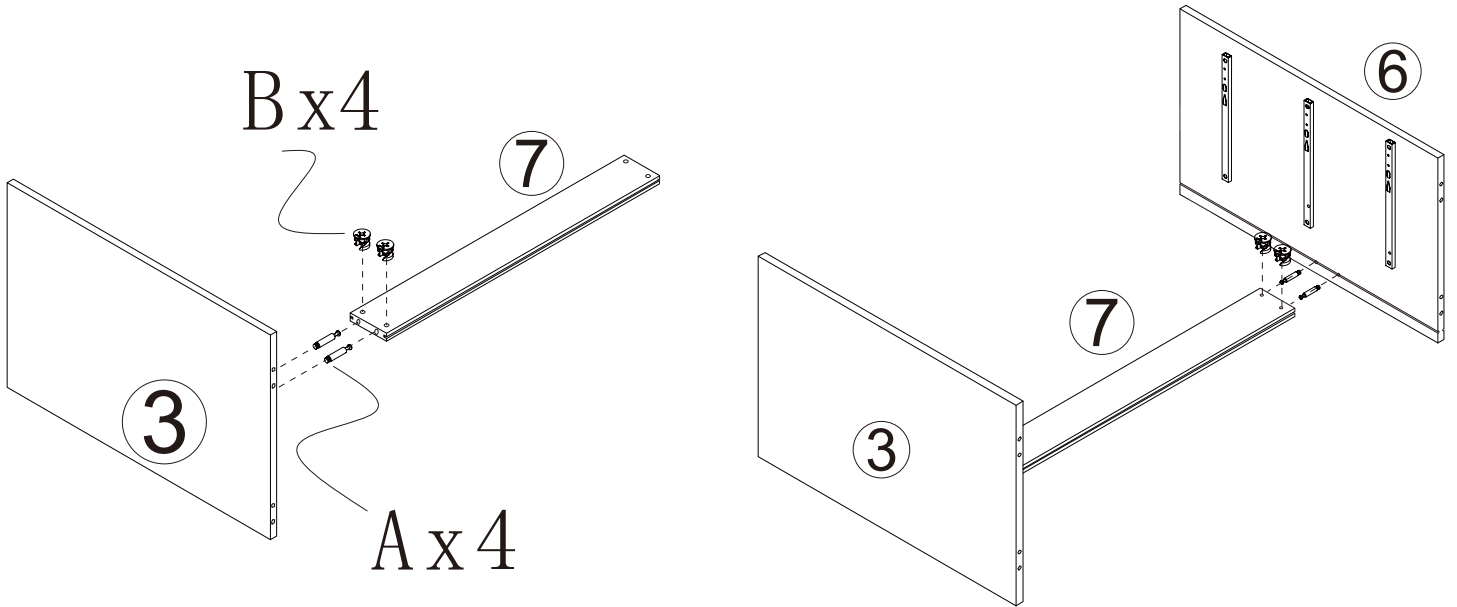
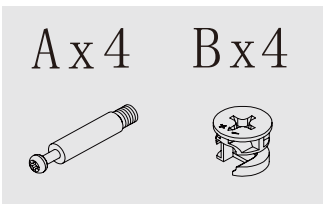
Ex 12 Lx 6



Stretch Hardware L and fix it to Panel 6 with E

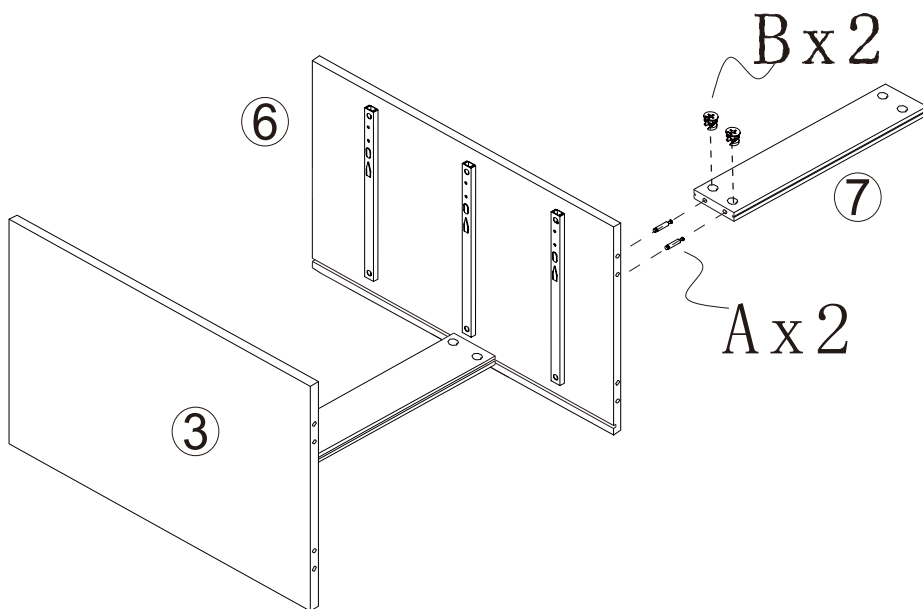
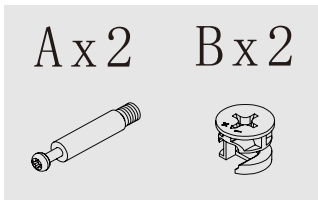


4



Connect Part 7 to 3&6 with Hardware A&B

5

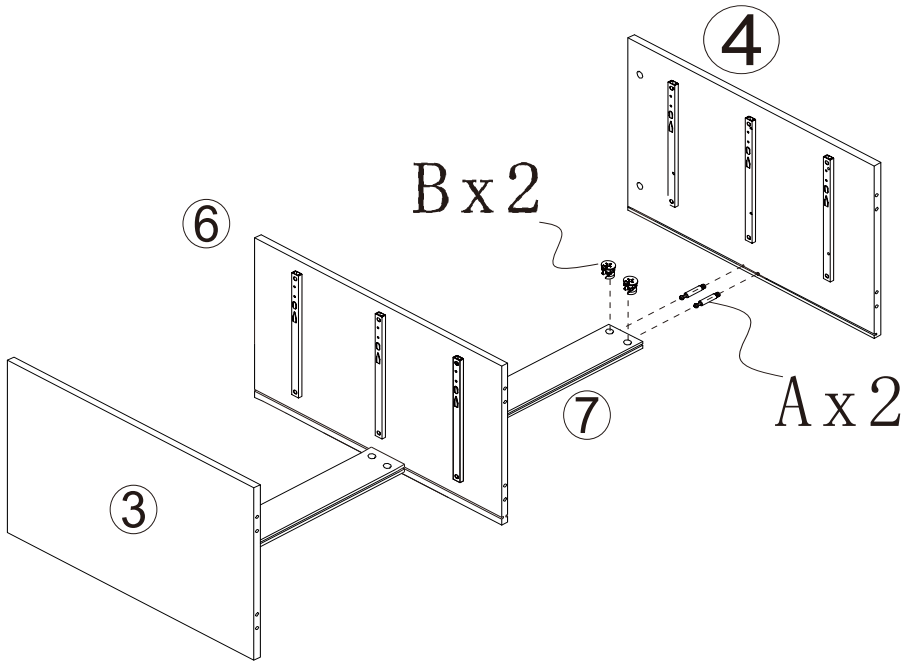
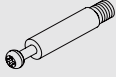


Connct Part 6 to the other 7 with Hardware A&B

6

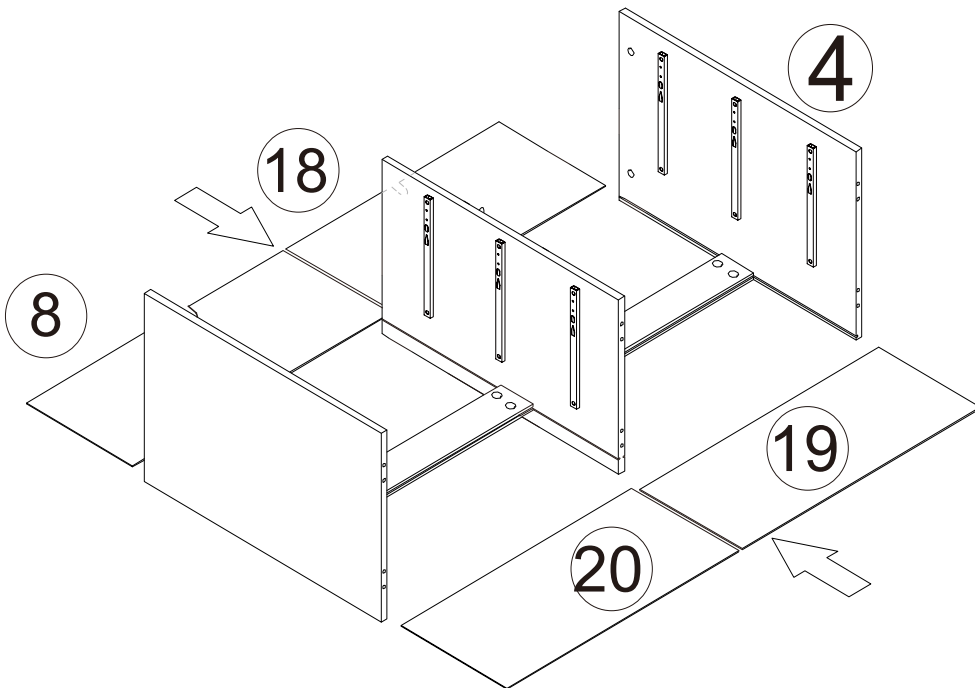
A x 2

B x 2



Connect Part 4 to 7 with Hardware A&B

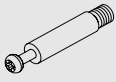
7



Insert Part 8&18&20&19 along the slots of 3&6&4
(Please note the direction)

8

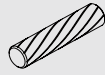
A x 6



B x 6



C x 6



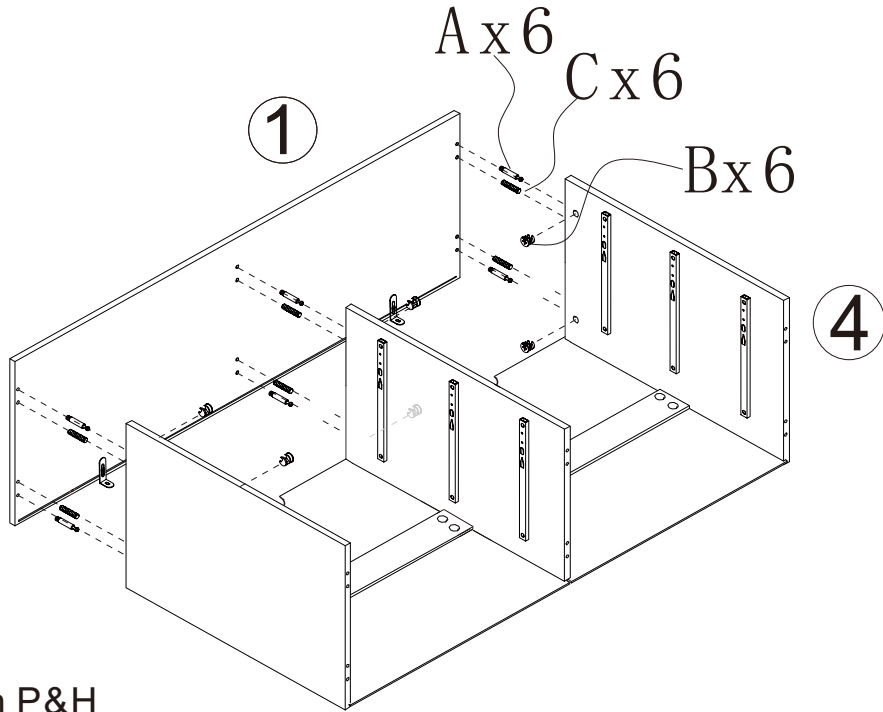
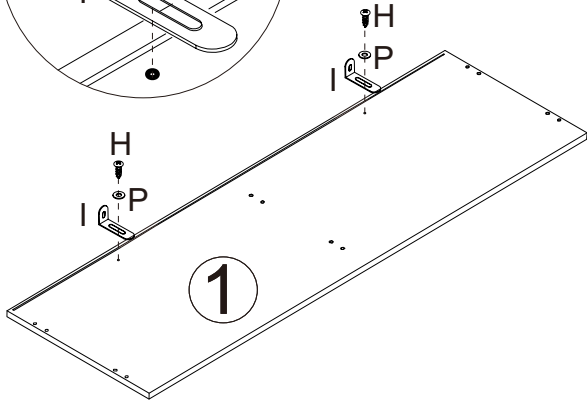
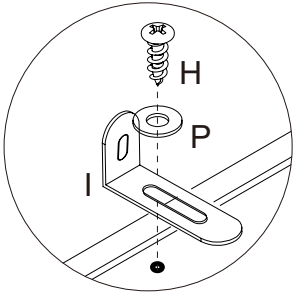
H x 2



I x 2



P x 2

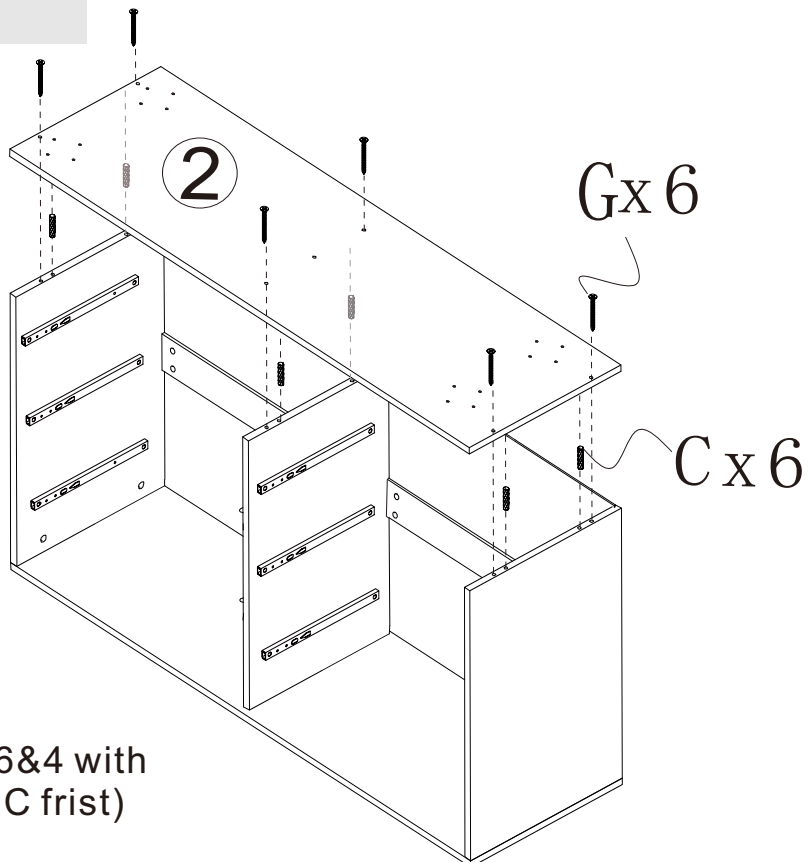
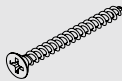


Fix Hardware I to Part 1 with P&H

Fix Hardware A to Part 1 and lock Part 1 to 3&6&4 with C&B (C frist)

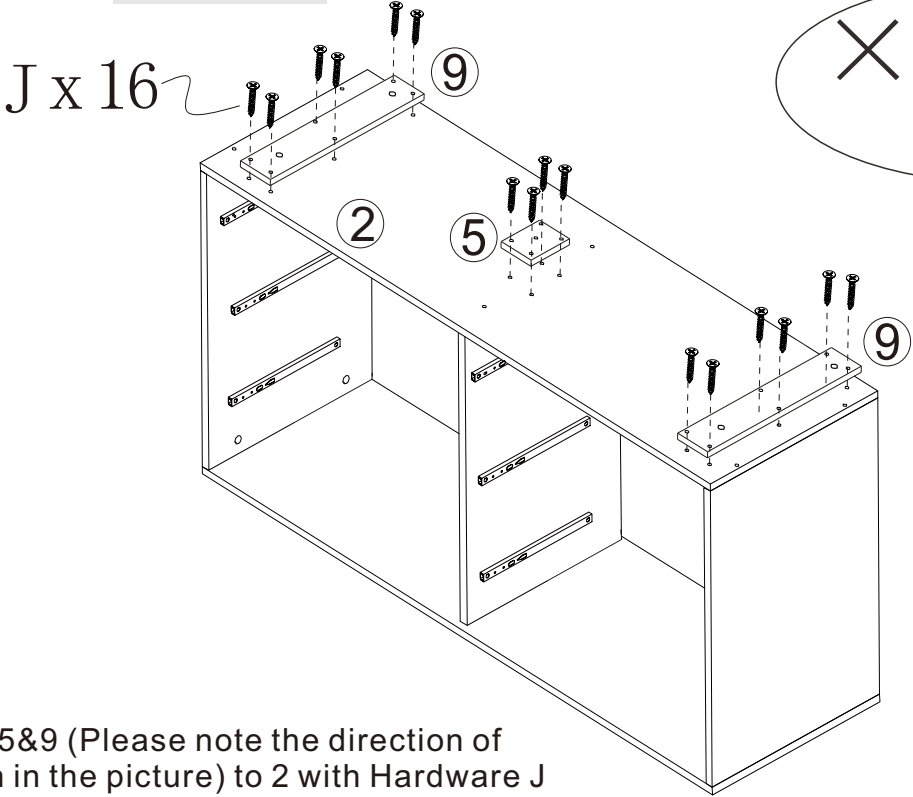
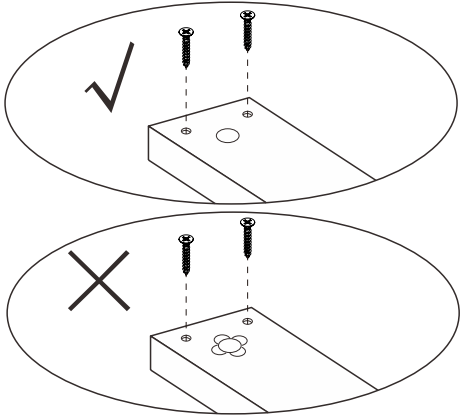
9

C x 6 G x 6



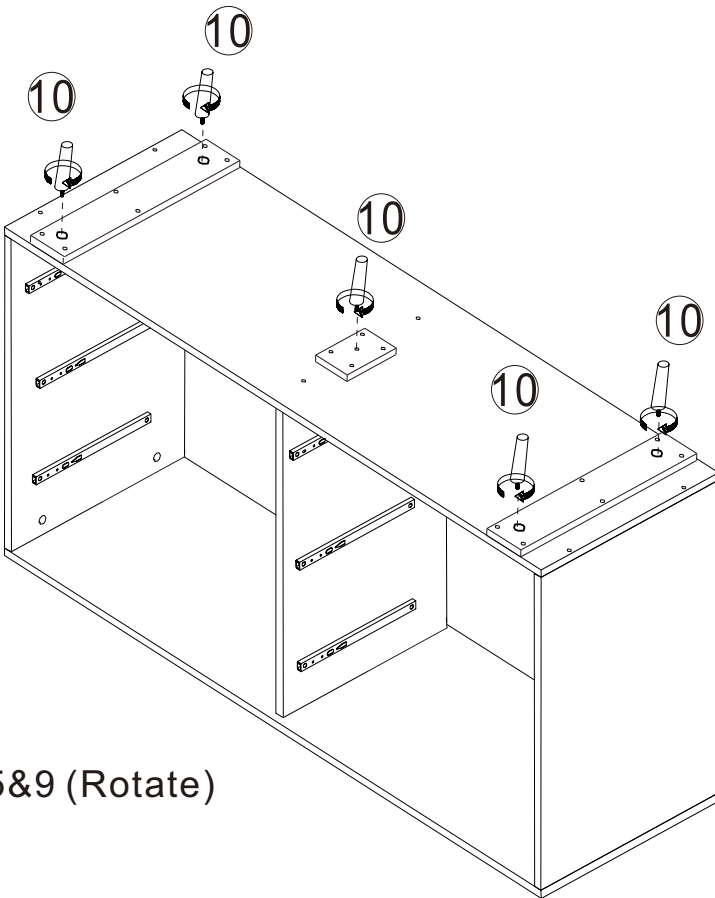
Lock Part 2 to 3&6&4 with Hardware C&G (C frist)

10



Connect Panel 5&9 (Please note the direction of Part 9 as shown in the picture) to 2 with Hardware J

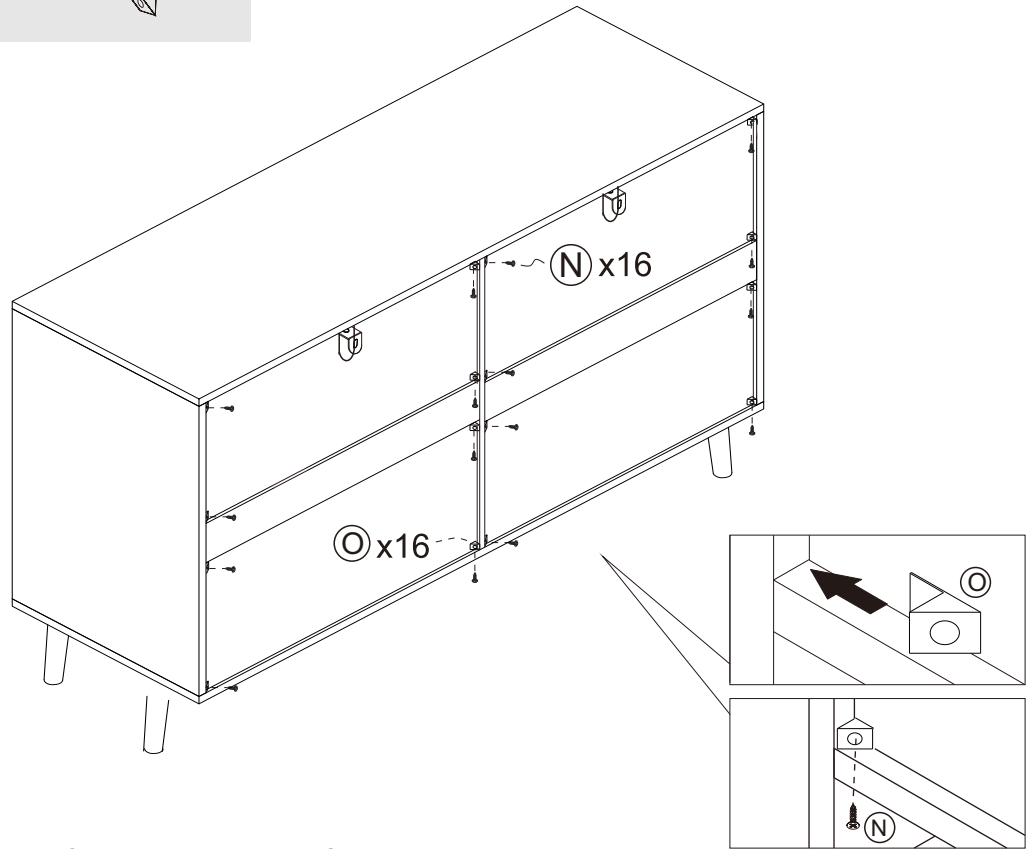
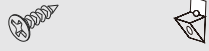
11



Install Part 10 to 5&9 (Rotate)

12

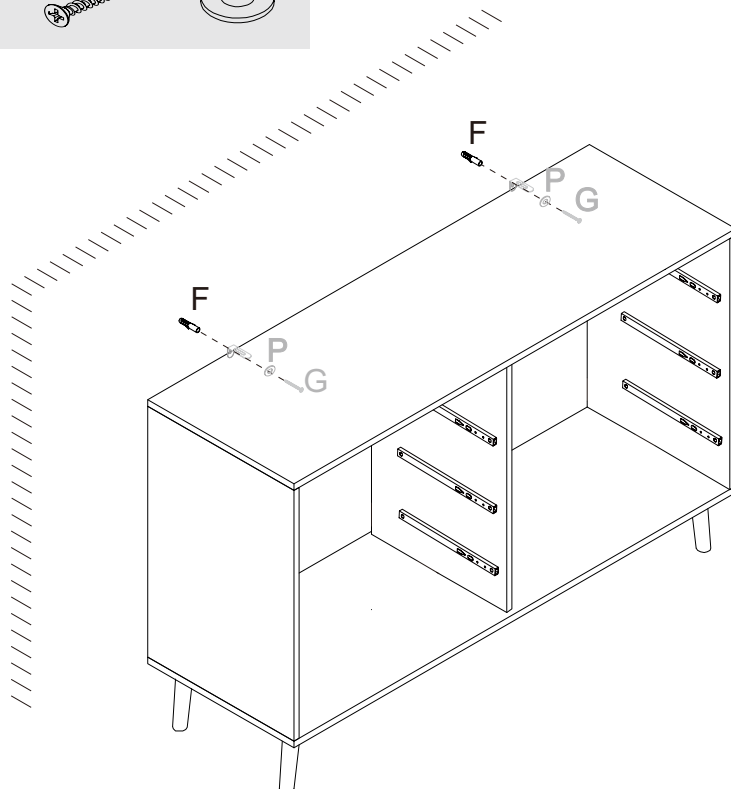
Nx16 Ox16



Fix Hardware O at 16 corners of backboard with N

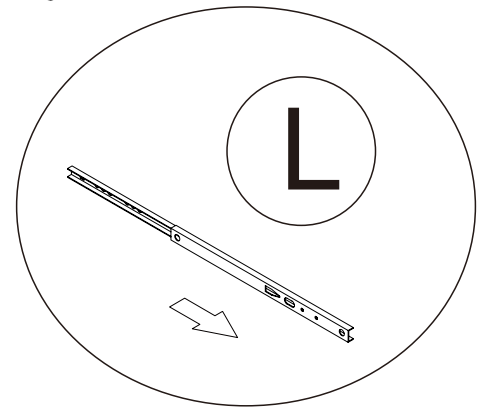
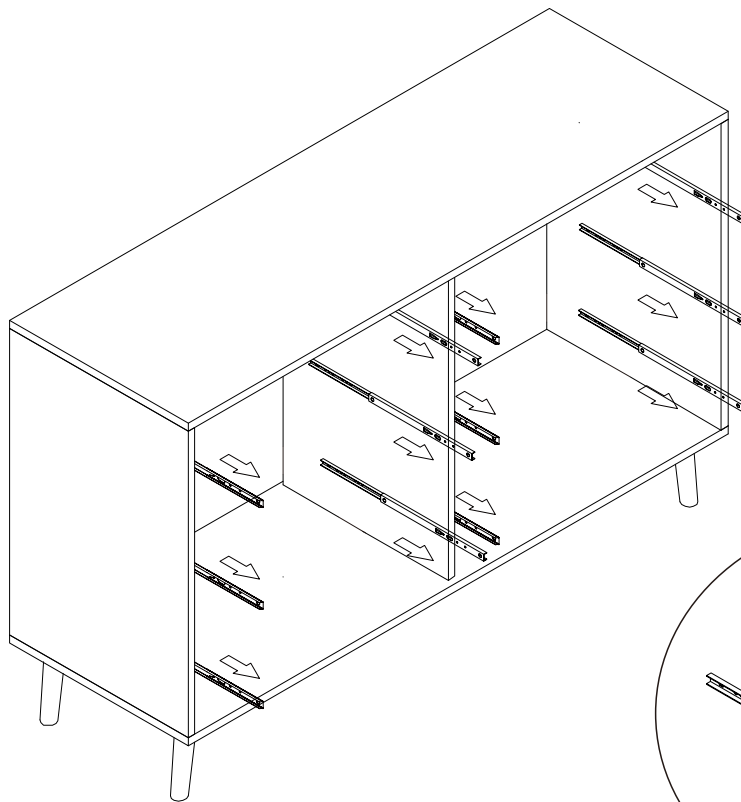
13

Fx2 Gx2 Px2



Lock the cabinet to the wall with Hardware P&G&F

14



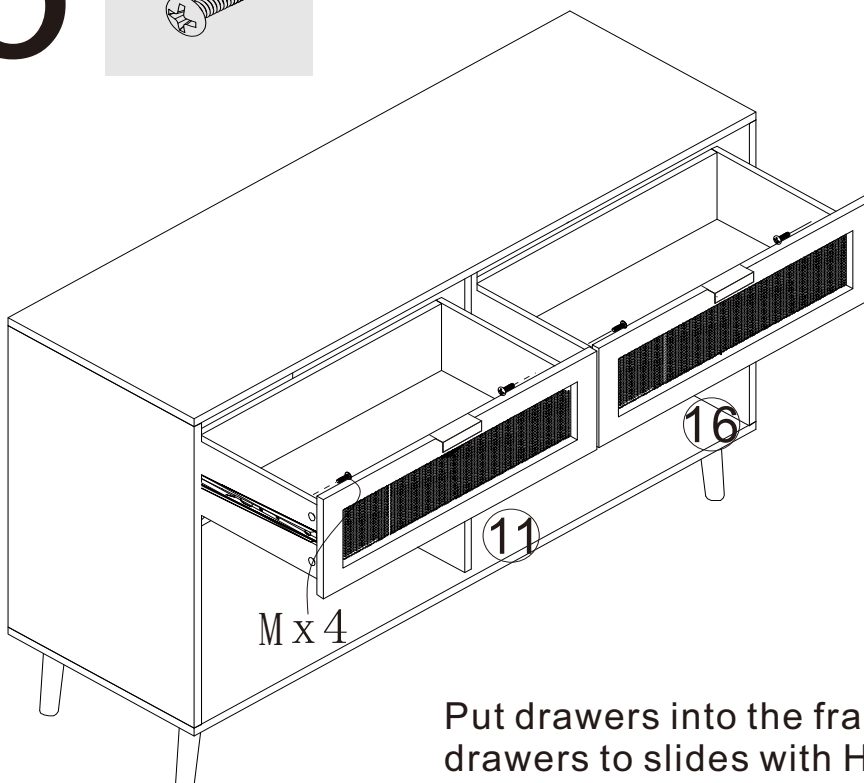
Pull out all the drawer slides

15

M x 12



X3



Put drawers into the frame and attach drawers to slides with Hardware M (Please note 11 on the left, 16 on the right)