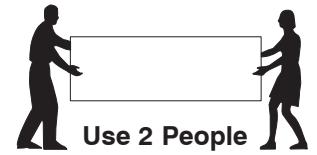
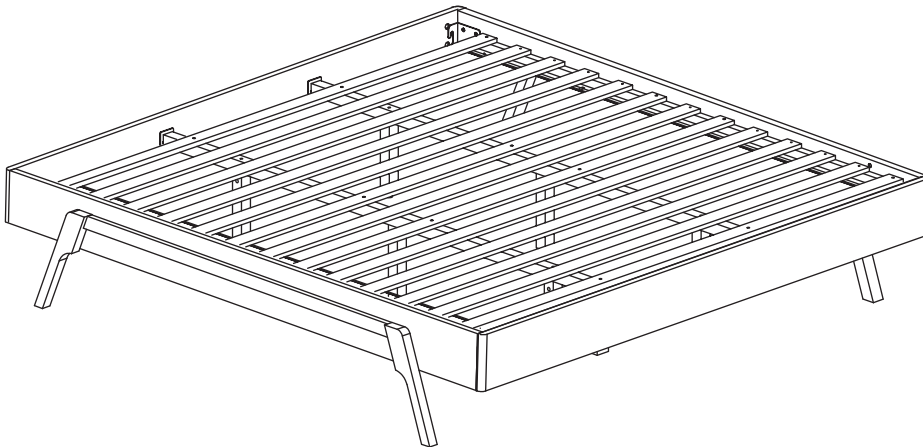


# 0094 King Bed

## Assembly Instructions

WI-0522

### 1 Assembled View

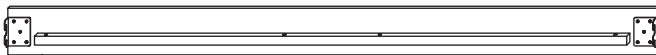


**Note:** Do not assemble using power tools. This can cause the bolts to be overtightened

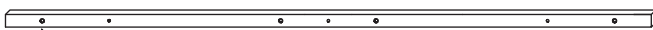
### 2 Parts List



**A** Headboard / Footboard Panel x 2



**D** Side Rail x 2



**E** Long Support x 2



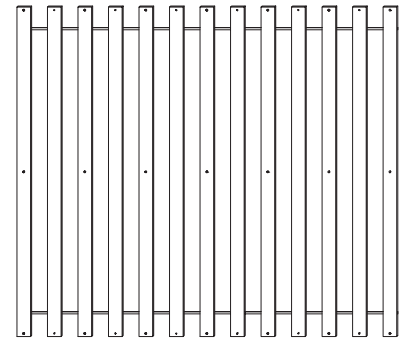
**B** Post (Right hand) x 2



**C** Post (Left Hand) x 2



**F** Support Leg x 6



**G** Set of Bed Slats x 1

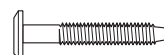
### 3 Hardware List



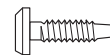
**1** M6 x 90mm JCB x 3



**2** M6 x 30mm JCB x 8



**3** M6 x 40mm JCB x 16



**4** M6 x 20mm JCB x 8



**5** M6 x 15mm JCB x 8



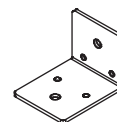
**6** Spring Washer x 8



**7** Flat Washer x 8



**8** Wood Screw (M4 x 32mm) x 18



**9** Center Rail Bracket x 4



**10** Allen Key x 1



**11** Adjustable Foot x 6



**12** Barrel Nut x 6

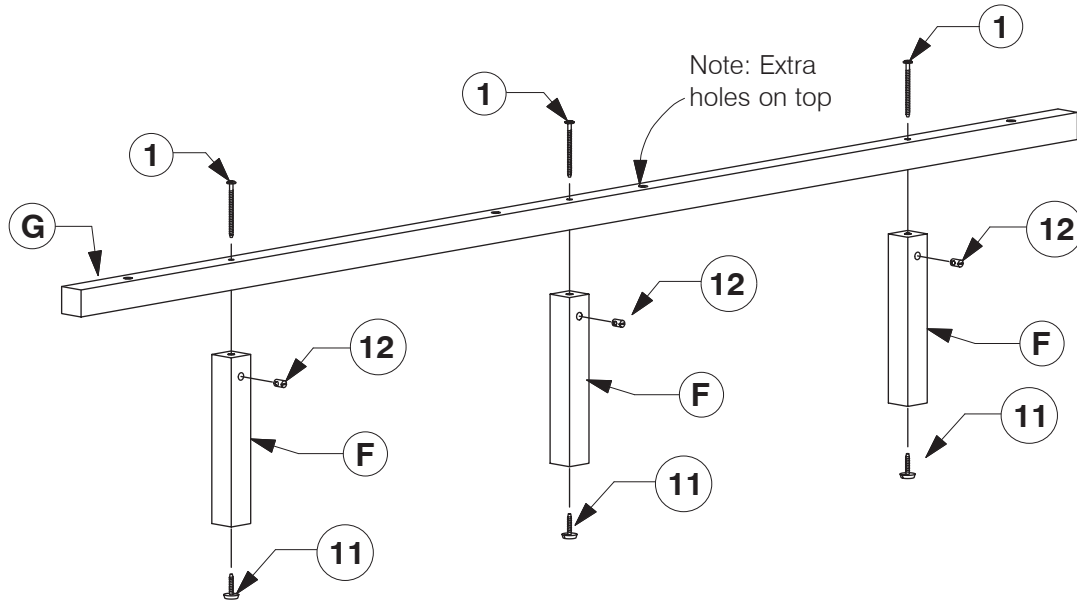
# 0094 King Bed

## Assembly Instructions

WI-0522

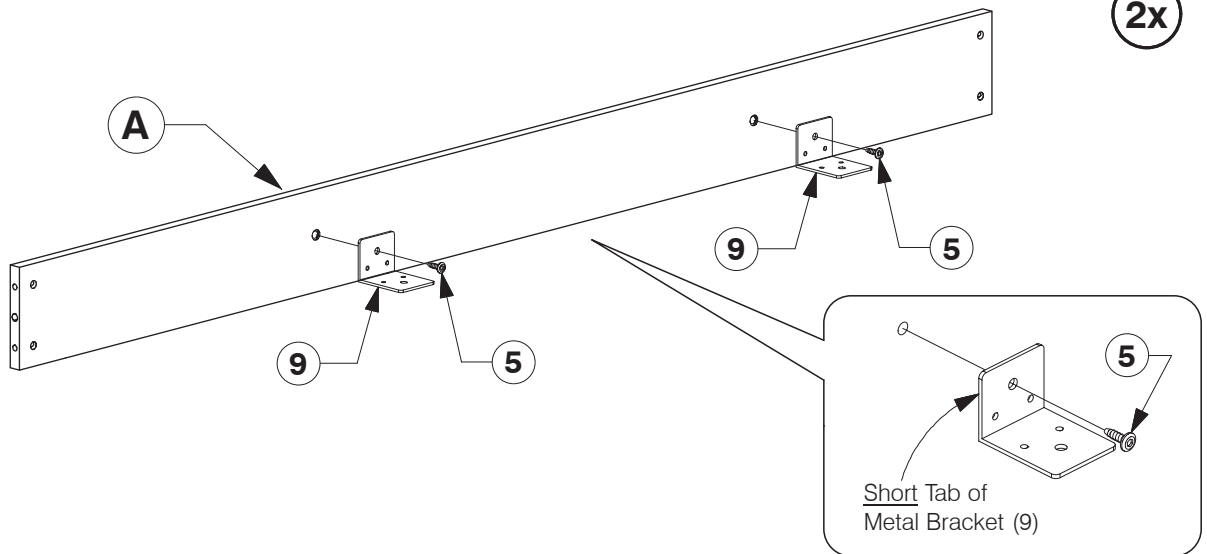
- 4** Fix the Adjustable foot to the bottom of the Support Leg (F).

2x

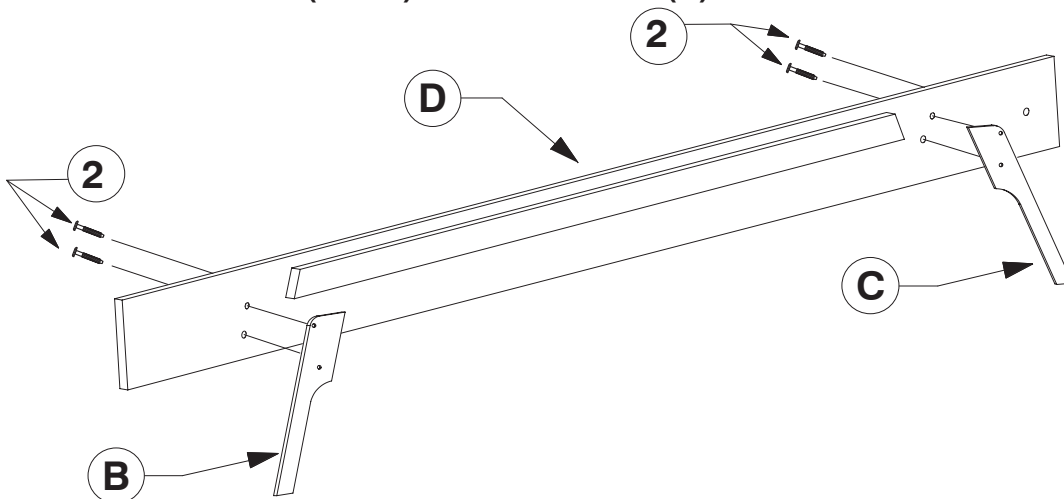


- 5** Fit the Center Rail Bracket to the Headboard / Footboard Panel (A).

2x



- 6** Assemble the Post (B & C) to the Side Rail (D).

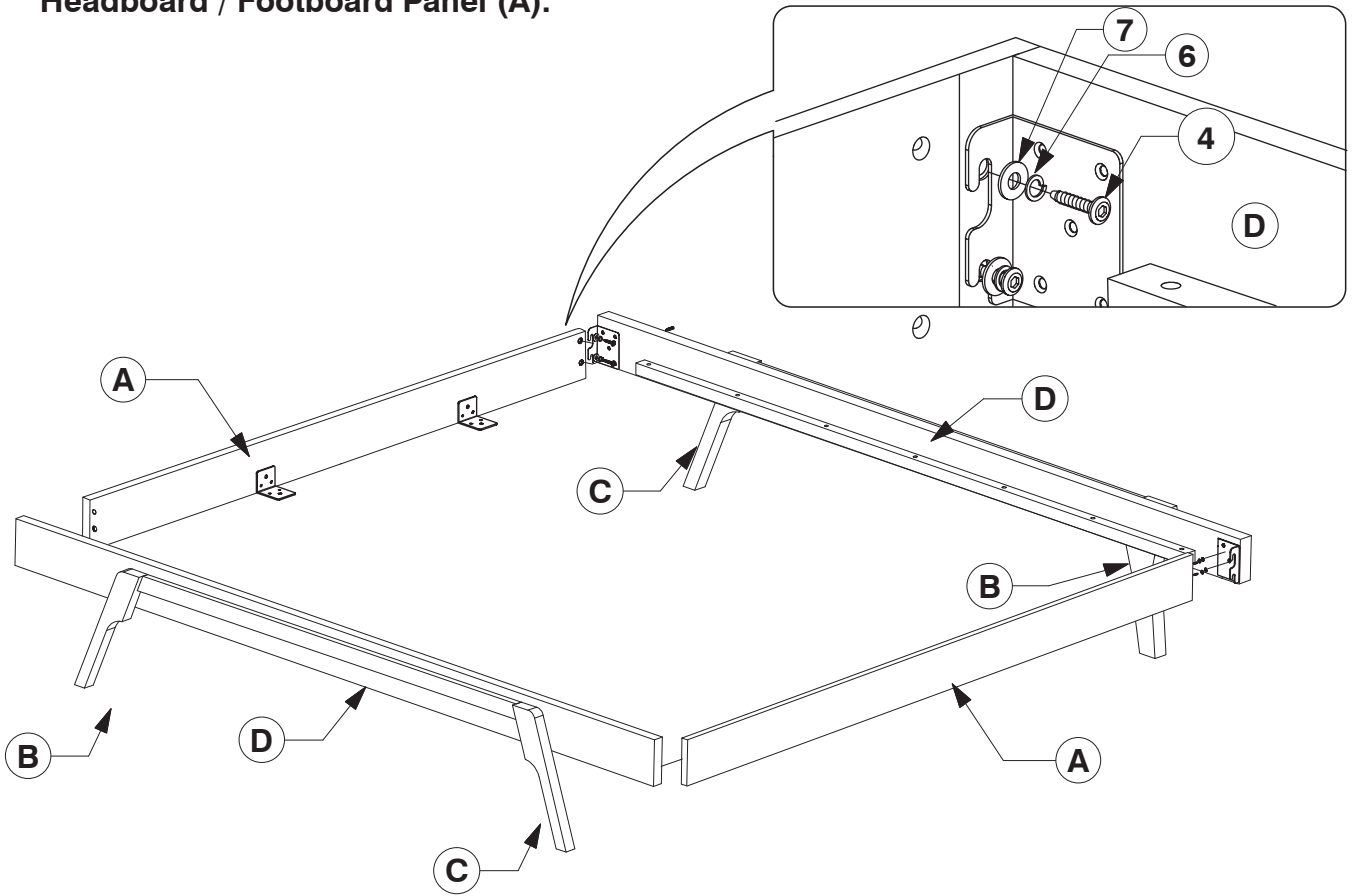


# 0094 King Bed

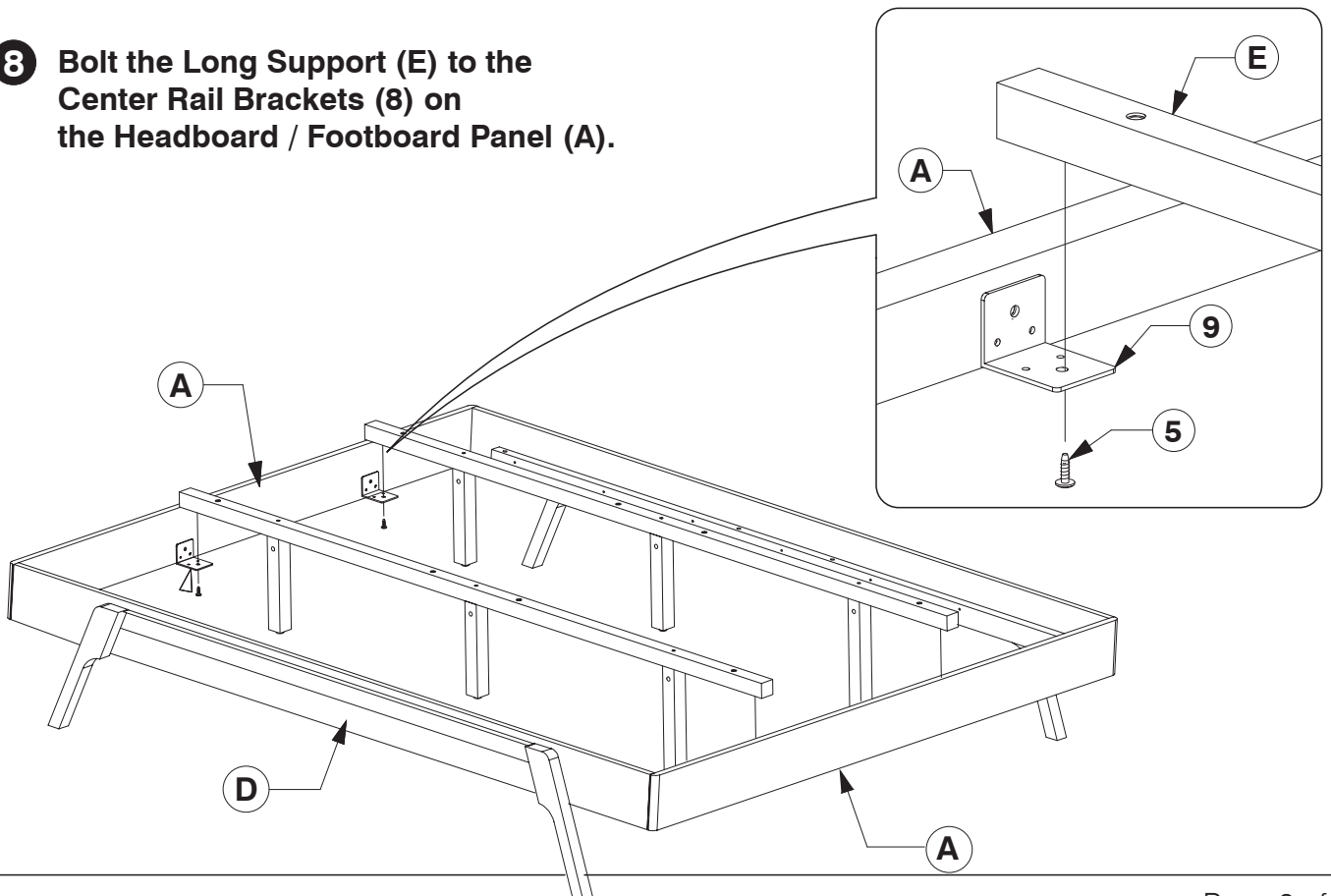
## Assembly Instructions

WI-0522

- 7 Assemble the Side Rail (D) to the Headboard / Footboard Panel (A).**



- 8 Bolt the Long Support (E) to the Center Rail Brackets (8) on the Headboard / Footboard Panel (A).**



# 0094 King Bed

## Assembly Instructions

WI-0522

- 9 Bolt & screw the remaining Bed Slats (G) to the Side Rail (D).**

