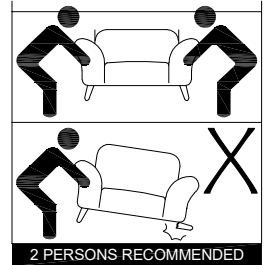


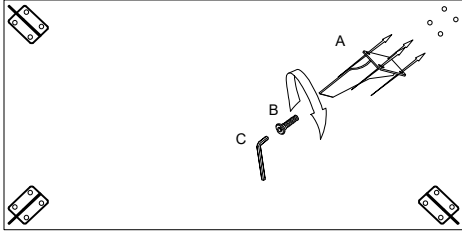
Assembly Instruction

Model: 6001 L shape

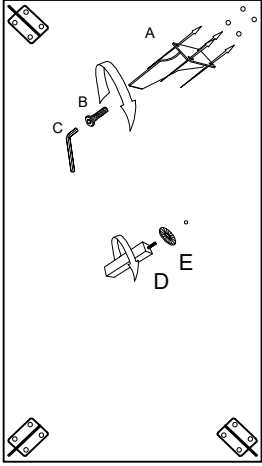
Assembly Parts Desc.		Sofa	Chaise
A		4pcs	4pcs
B		16pcs	16pcs
C		1pc	
D		N/A	1 pc
E		N/A	1 pc



2 PERSONS RECOMMENDED
 -Do not use power tools.
 -Do not over-tight.
 -Keep the packing materials and small parts out of reach of children.



Sofa

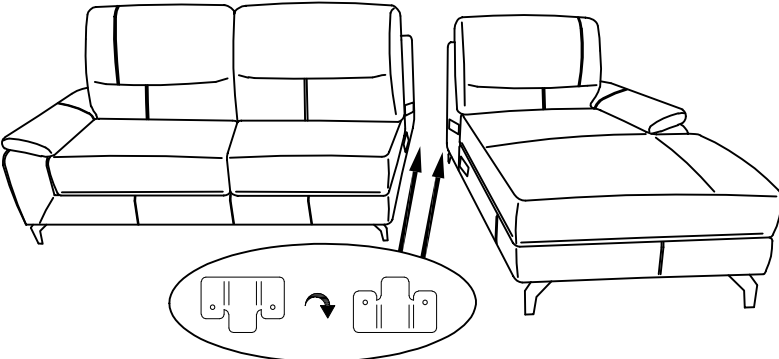


Chaise

Step 1 :
Take the parts out from zipper pouch of bottom product.

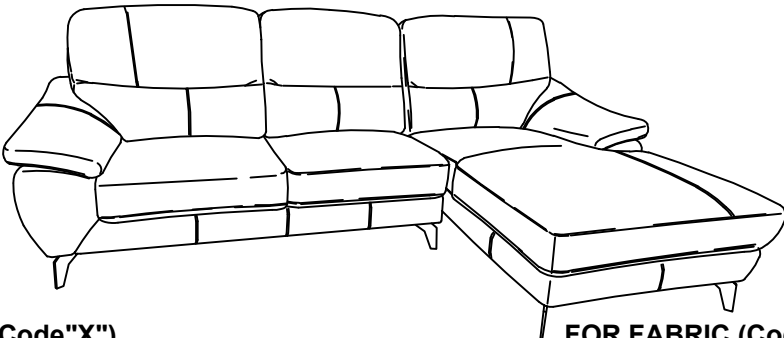
Step 2 :
Place a metal leg (A) on to the bottom of the upholstery that you are building. Make sure the hole on the metal leg (A) aligns with the hole on the bottom of the upholstery. Tighten the metal leg (A) with the bolt (B) by using the allen key(C).

Step 3 :
For the center leg, there is hole at the center on the bottom of sofa. Please put the center leg (D) together with plastic washer (E), tighten up the center leg by turn it clockwise



Step 4 :
Connect the sofa and chaise with hooks the 2 sets of iron corner brackets together. Please refer as above diagram.

Completed



FOR LEATHER AND P.U (Code"X")
 Clean by lightly brushing and vacuuming only to remove dust and particles buildup. Water-based foam cleaner or solvent based cleaning agents of any kind may cause excessive shrinking, staining or distortion of the surface pile and, therefore, should not be used.

FOR FABRIC (Code"WW")
 -Use water-based agents only.
 -Do not use solvents.
 -Gently remove stains by blotting or hang washing.
 -Do not use excessive brushing or rubbing.