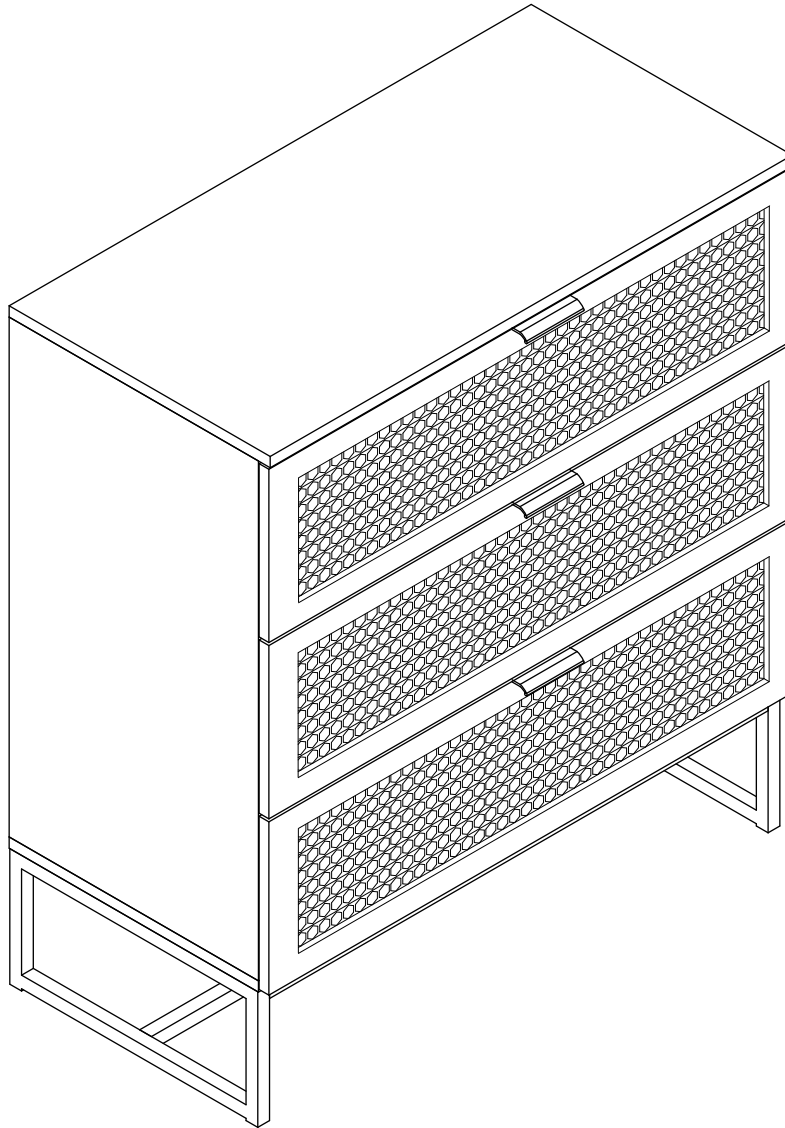
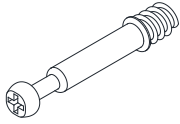
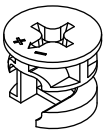
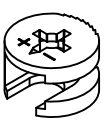
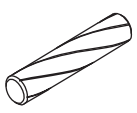
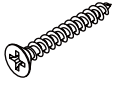
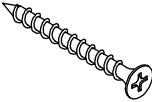
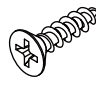
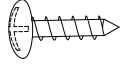
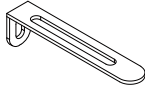
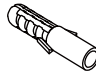
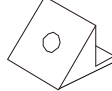
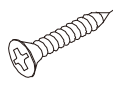
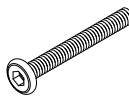

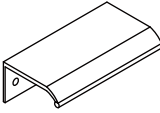


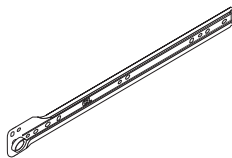
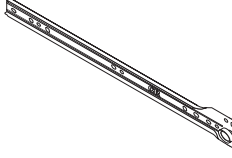
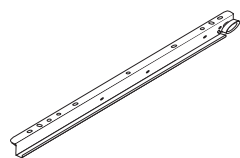
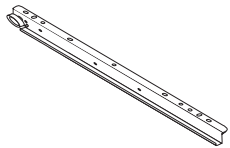


Chest of drawers

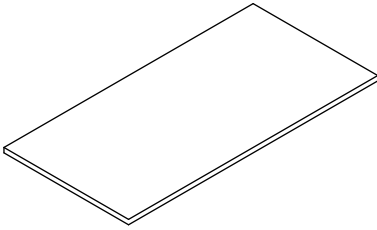


ASSEMBLY INSTRUCTION

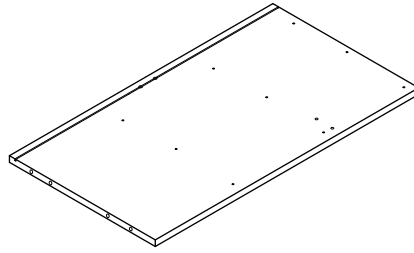
HARDWARE LIST

<p>a</p> <p>27 PCS</p>		<p>b</p> <p>12 PCS</p>		<p>c</p> <p>15 PCS</p>		<p>d</p> <p>18 PCS</p>	
<p>e</p> <p>20 PCS</p>	 <p>M4x35mm</p>	<p>f</p> <p>6 PCS</p>	 <p>M4x40mm</p>	<p>g</p> <p>36 PCS</p>	 <p>M3.5x12mm</p>	<p>h</p> <p>2 PCS</p>	 <p>M4x12mm</p>
<p>i</p> <p>2 PCS</p>		<p>j</p> <p>2 PCS</p>		<p>k</p> <p>8 PCS</p>		<p>l</p> <p>8 PCS</p>	 <p>M3x14mm</p>
<p>m</p> <p>6 PCS</p>		<p>n</p> <p>8 PCS</p>		<p>o</p> <p>3 PCS</p>		<p>p</p> <p>1 PC</p>	
<p>q</p> <p>6 PCS</p>	 <p>M3x10mm</p>	<p>CL</p> <p>3 PCS</p>		<p>CR</p> <p>3 PCS</p>		<p>DL</p> <p>3 PCS</p>	
<p>DR</p> <p>3 PCS</p>							

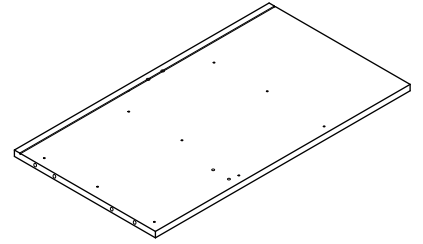
PARTS LIST



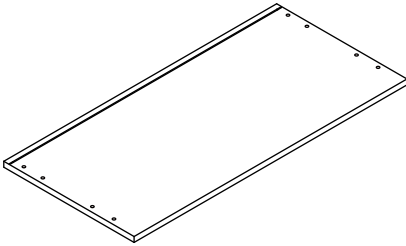
1 - 1 PC



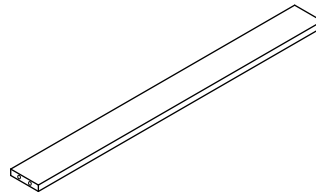
2 - 1 PC



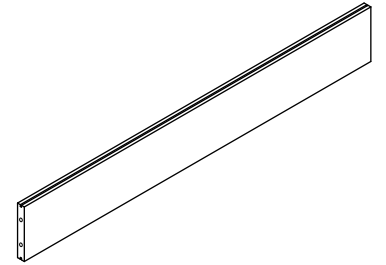
3 - 1 PC



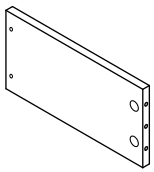
4 - 1 PC



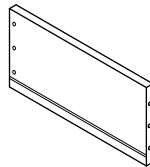
5 - 1 PC



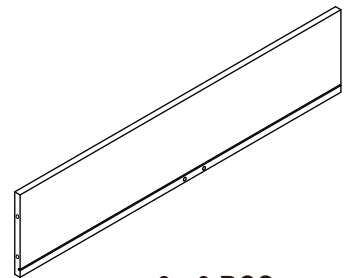
6 - 1 PC



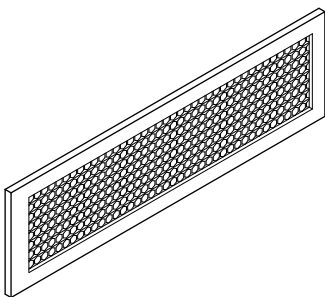
7 - 3 PCS



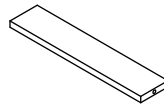
8 - 3 PCS



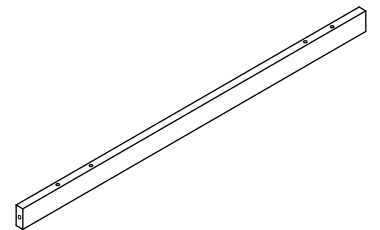
9 - 3 PCS



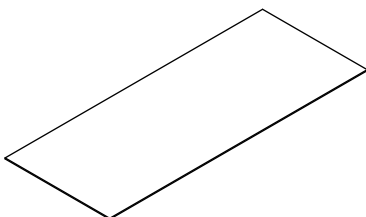
10 - 3 PCS



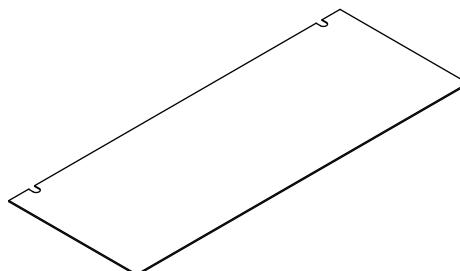
11 - 3 PCS



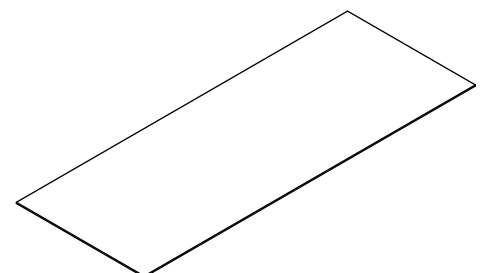
12 - 2 PCS



13 - 3 PCS

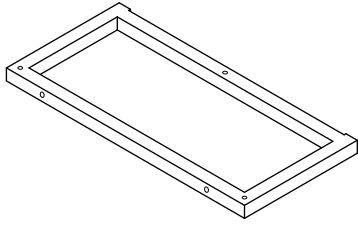


14 - 1 PC



15 - 1 PC

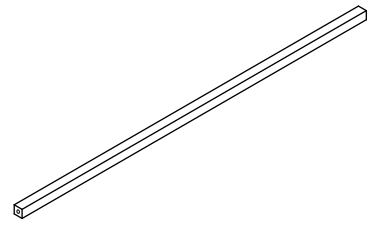
PARTS LIST



16 - 2 PCS



17 - 2 PCS

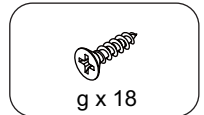
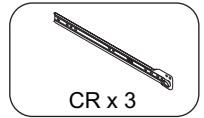
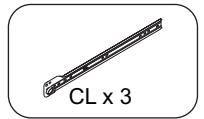
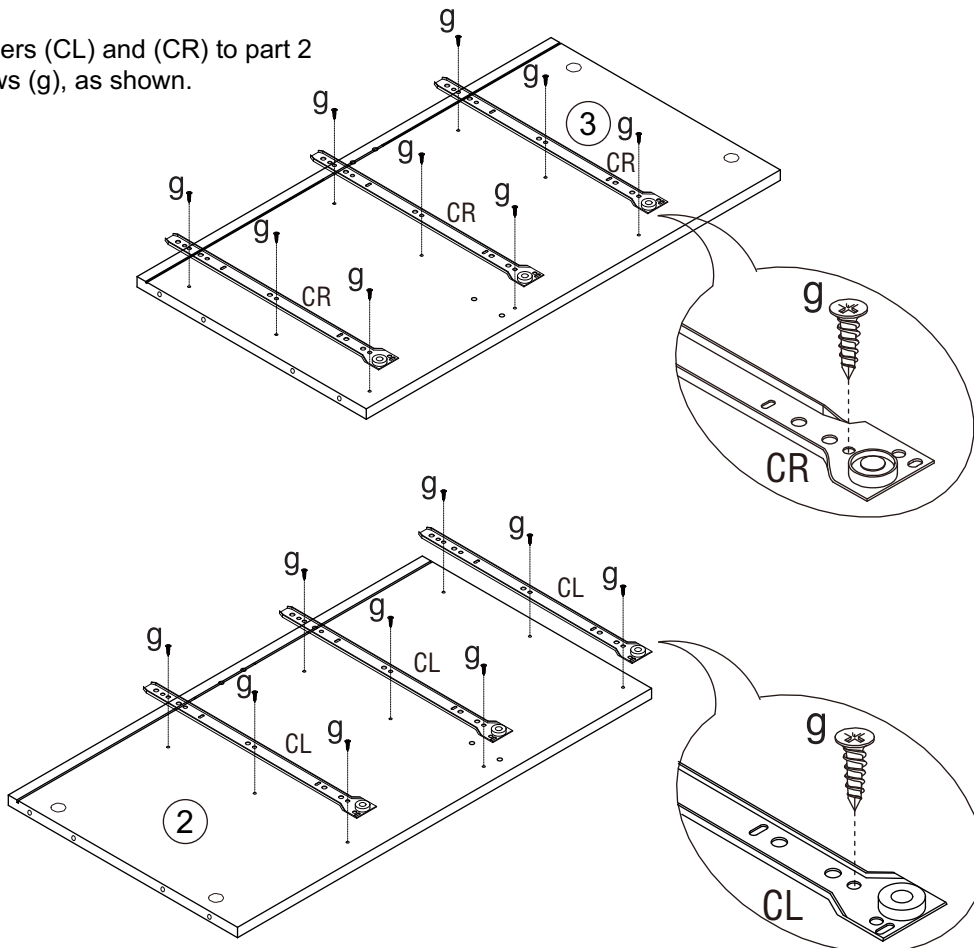


18 - 1 PC

ASSEMBLY STEPS

STEP 1.

Fix outer drawer runners (CL) and (CR) to part 2 and part 3 using screws (g), as shown.



ASSEMBLY STEPS

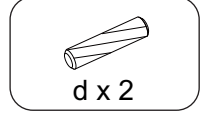
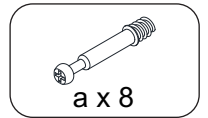
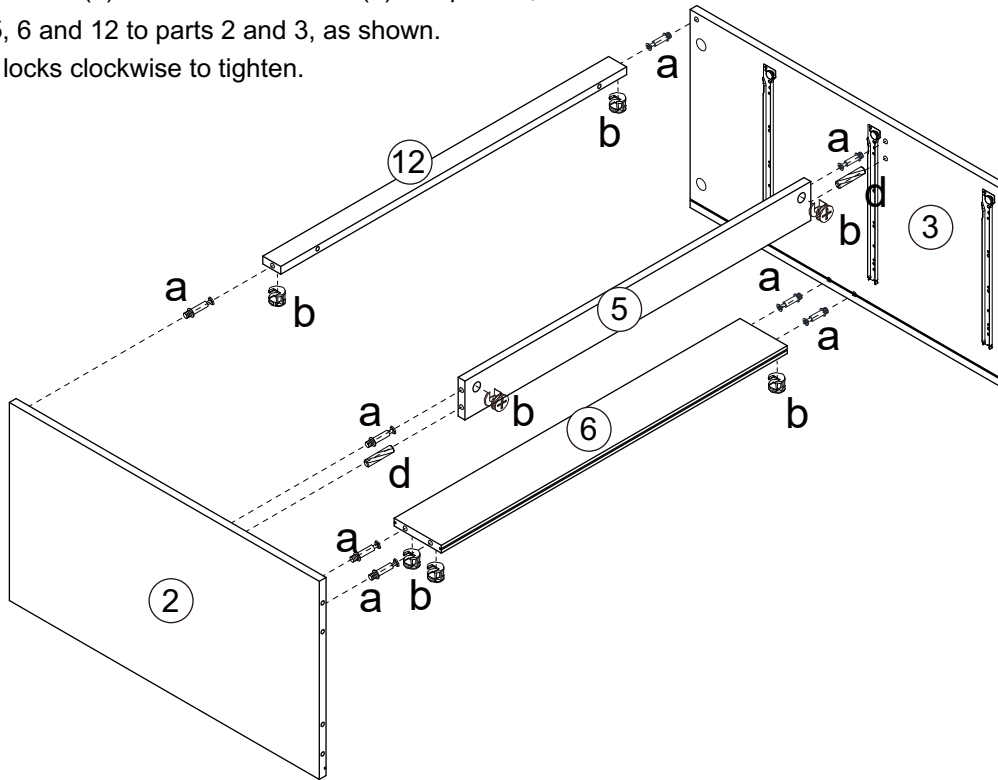
STEP 2.

Insert quickfit screws (a) into parts 2 and 3.

Insert cam locks (b) and wooden dowels (d) into parts 5, 6 and 12.

Fit parts 5, 6 and 12 to parts 2 and 3, as shown.

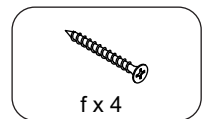
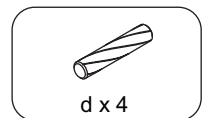
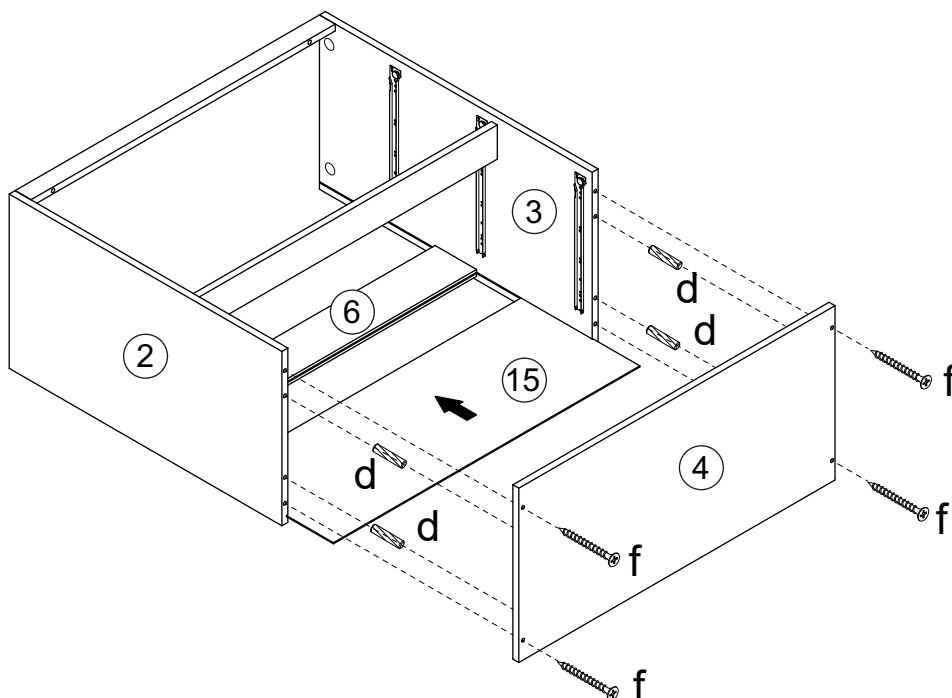
Turn cam locks clockwise to tighten.



STEP 3.

Slide part 15 into grooves between parts 2, 6 and 3, as shown.

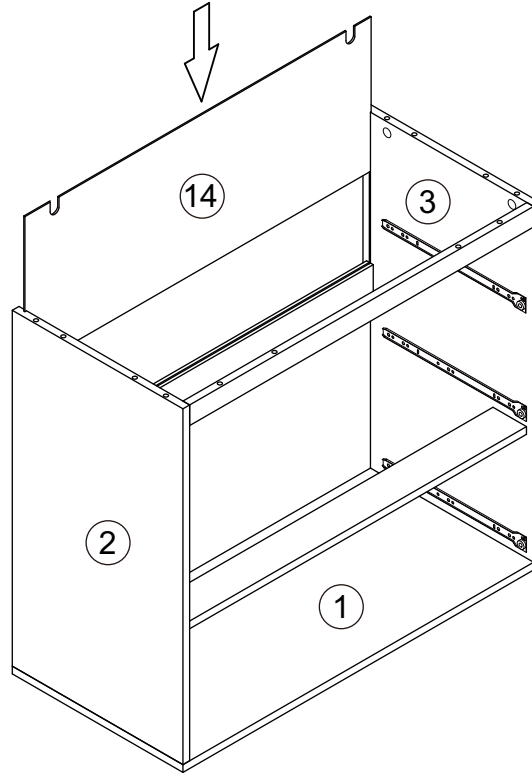
Fix part 4 to parts 2 and 3 using wooden dowels (d) and screws (f), as shown.



ASSEMBLY STEPS

STEP 4.

Slide part 14 into grooves between parts 2, 6 and 3, as shown.



STEP 5.

Fix wall brackets (i) to part 1 using screws (h), as shown.

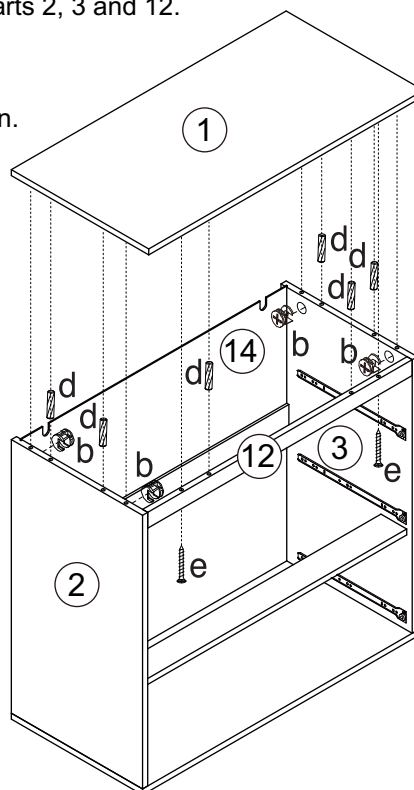
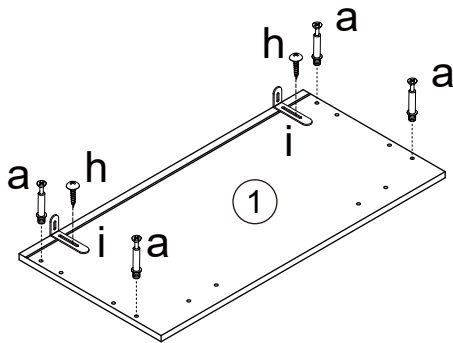
Insert quickfit screws (a) into part 1.

Insert cam locks (b) and wooden dowels (d) into parts 2, 3 and 12.

Fit part 1 to parts 2, 3 and 12, as shown.

Turn cam locks clockwise to tighten.

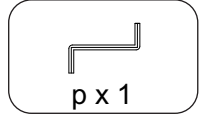
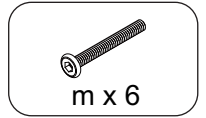
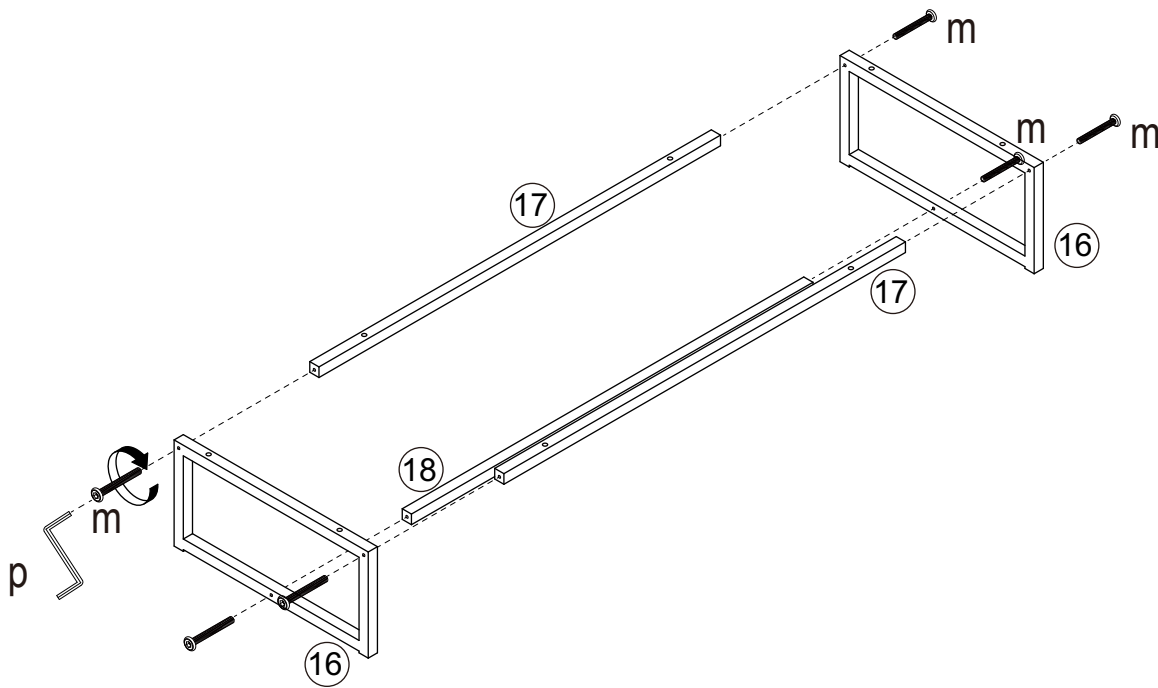
Secure part 12 to part 1 using screws (e), as shown.



ASSEMBLY STEPS

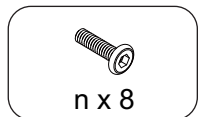
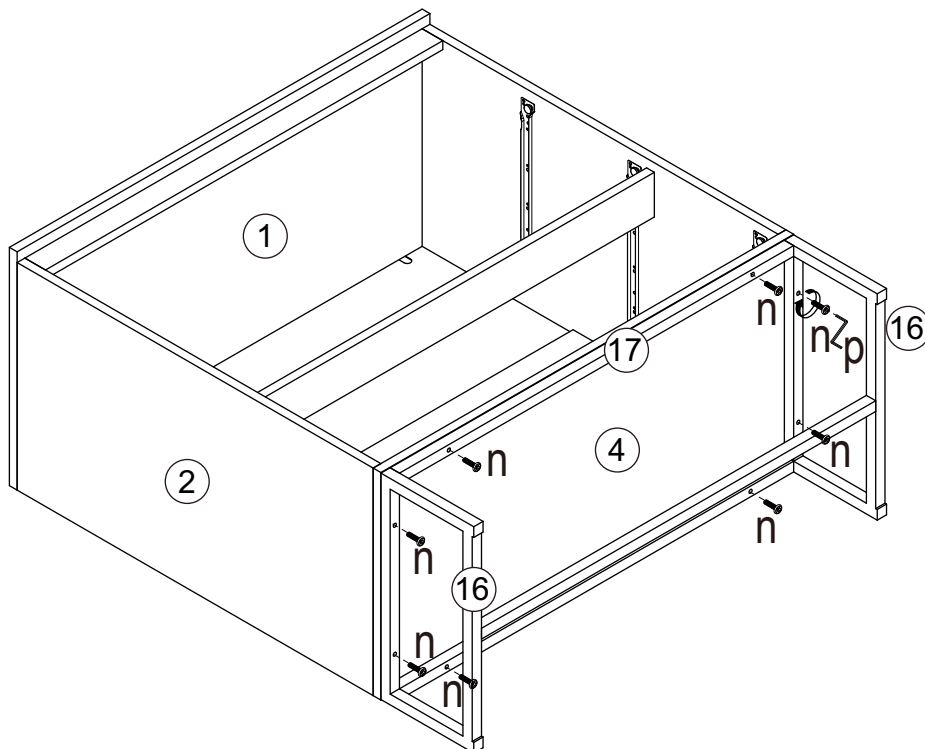
STEP 6.

Fix parts 17 and 18 to parts 16 using screws (m) and allen key (p), as shown.



STEP 7.

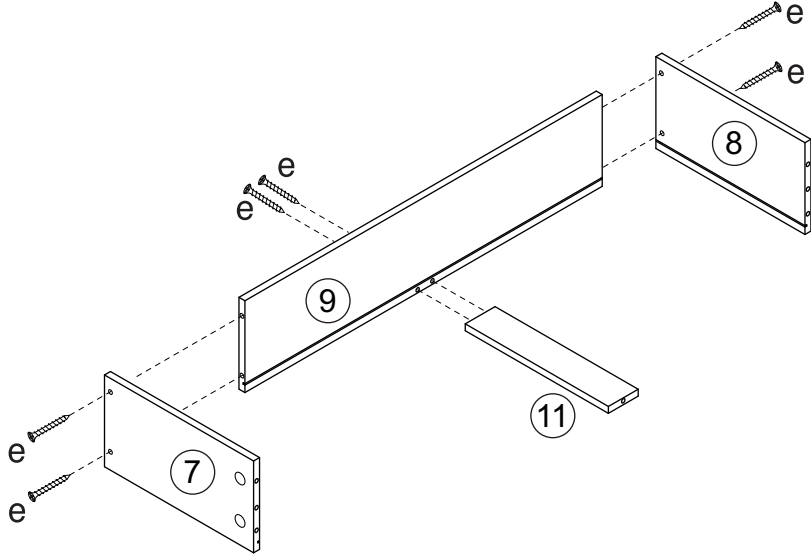
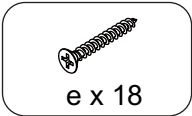
Fix metal legs to assembled unit using screws (n) and allen key, as shown.



ASSEMBLY STEPS

STEP 8.

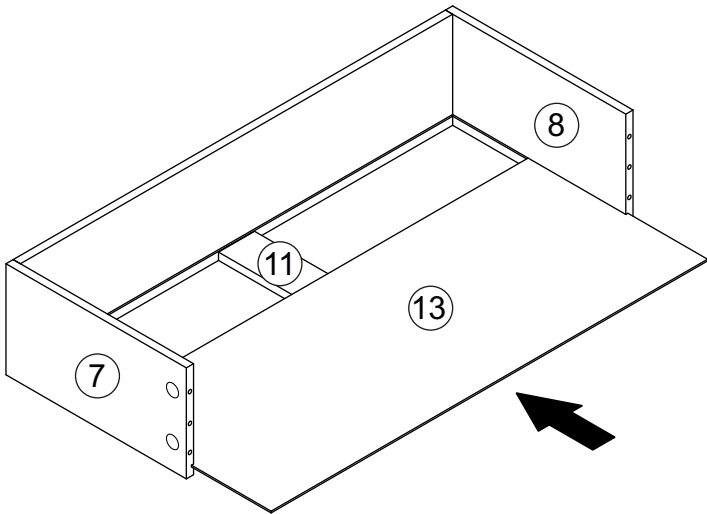
Fix parts 7, 11 and 8 to parts 9 using screws (e), as shown.



x3

STEP 9.

Slide parts 13 into grooves between parts 7, 9 and 8, as shown.



x3

ASSEMBLY STEPS

STEP 10.

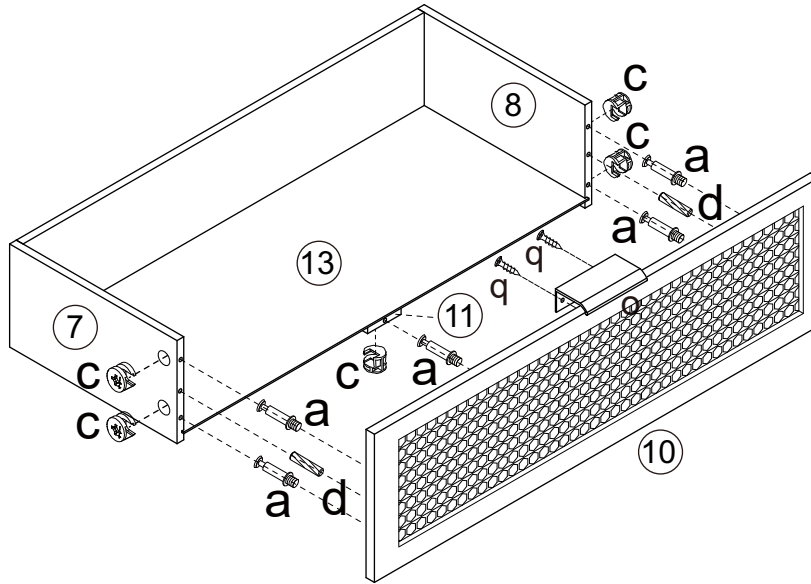
Fix handle (o) to parts 10 using screws (q), as shown.

Insert quickfit screws (a) into parts 10.

Insert cam locks (c) and wooden dowels (d) into parts 7, 8 and 11.

Fit parts 10 to parts 7, 8 and 11, as shown.

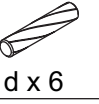
Turn cam locks clockwise to tighten.



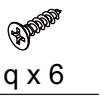
a x 15



c x 15



d x 6



q x 6

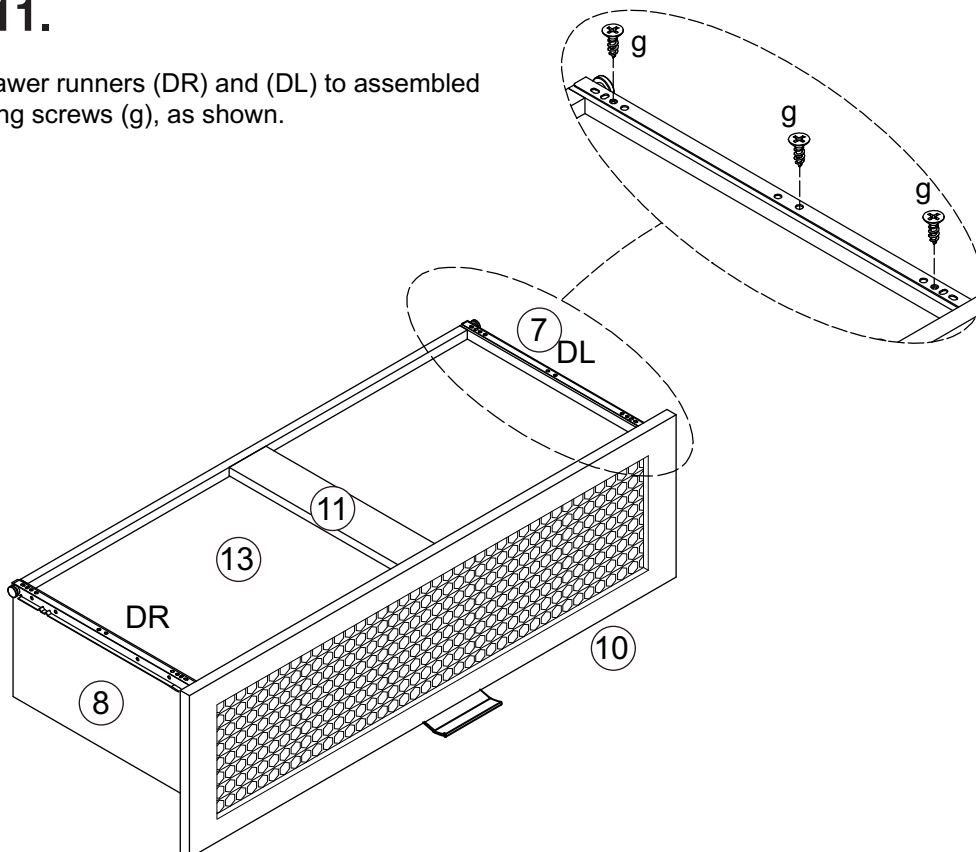


o x 3

x3

STEP 11.

Fix inner drawer runners (DR) and (DL) to assembled drawers using screws (g), as shown.



DL x 3



DR x 3



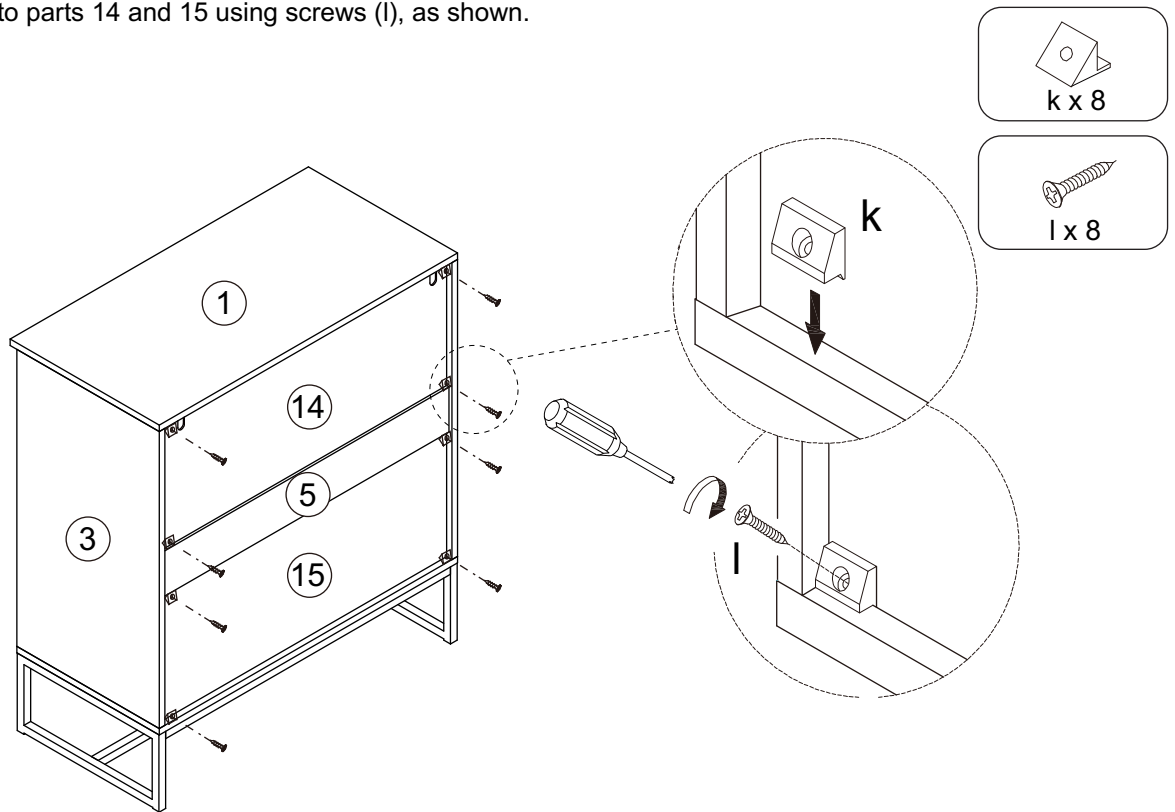
g x 18

x3

ASSEMBLY STEPS

STEP 12.

Fix corner brackets (k) to parts 14 and 15 using screws (l), as shown.

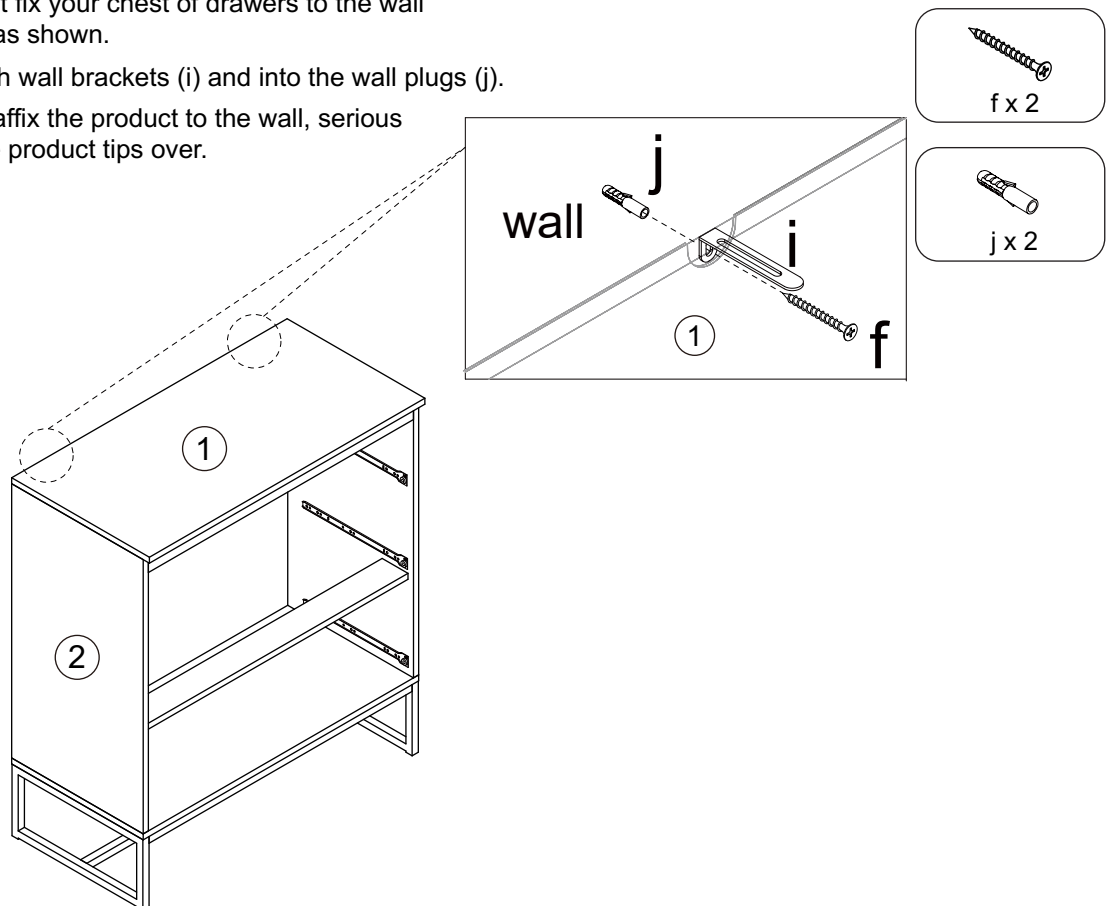


STEP 13.

For extra stability, you must fix your chest of drawers to the wall using hardware (f and j), as shown.

Screws (f) are fixed through wall brackets (i) and into the wall plugs (j).

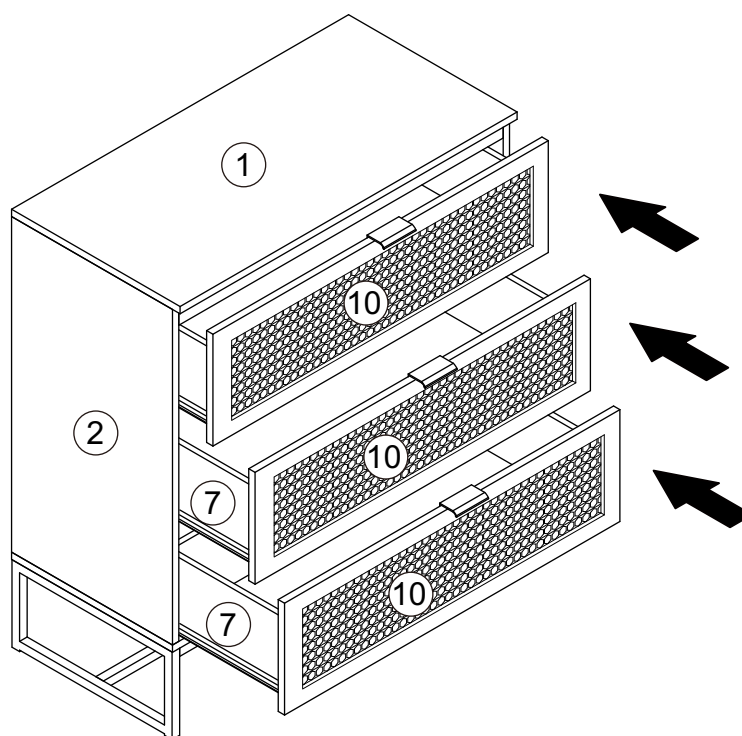
Should you choose not to affix the product to the wall, serious injury may be caused if the product tips over.



ASSEMBLY STEPS

STEP 14.

Fit drawers into assembled unit, as shown.



STEP 15.

Your chest of drawers is ready for use.

