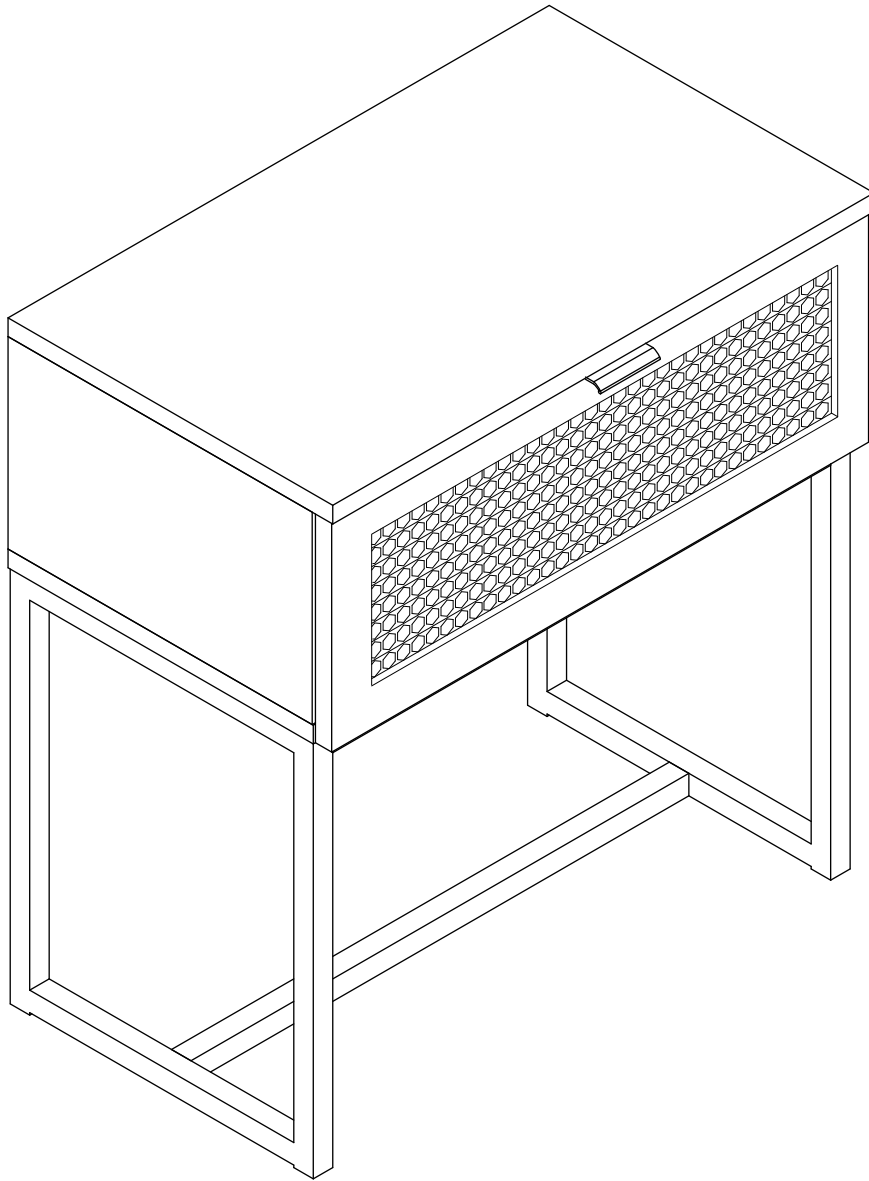
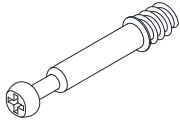
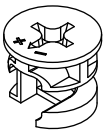
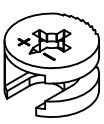
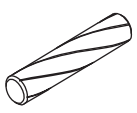
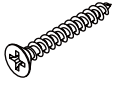
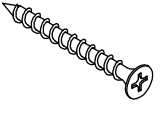

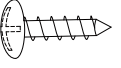
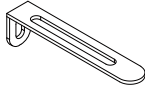
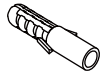
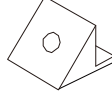
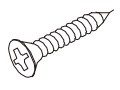
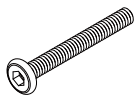

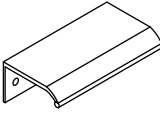


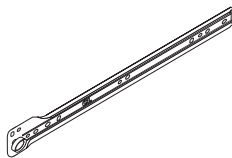
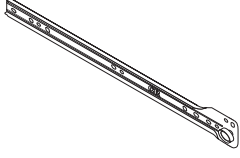
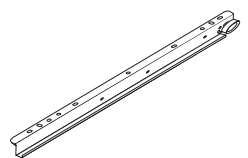
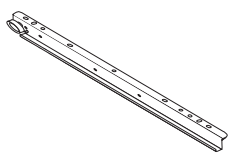


Night Stand

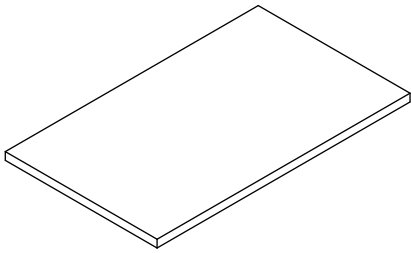


ASSEMBLY INSTRUCTION

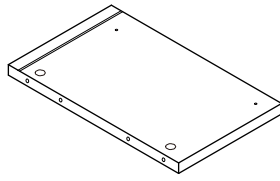
HARDWARE LIST

a 8 PCS		b 4 PCS		c 4 PCS		d 10 PCS	
e 4 PCS	 M4x35mm	f 5 PCS	 M4x40mm	g 8 PCS	 M3.5x12mm	h 1 PC	 M4x12mm
i 1 PC		j 1 PC		k 4 PCS		l 4 PCS	 M3x14mm
m 6 PCS		n 6 PCS		o 1 PC		p 1 PC	
q 2 PCS	 M3x10mm	CL 1 PC		CR 1 PC		DL 1 PC	
DR 1 PC							

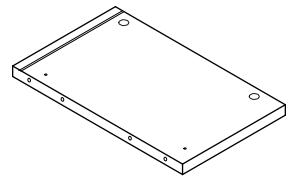
PARTS LIST



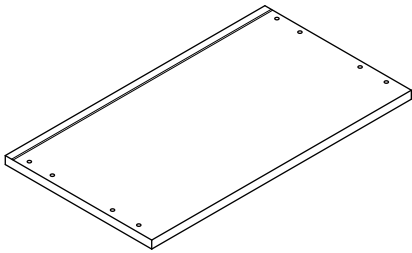
1 - 1 PC



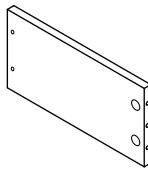
2 - 1 PC



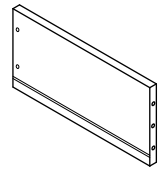
3 - 1 PC



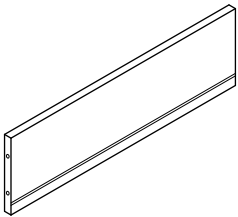
4 - 1 PC



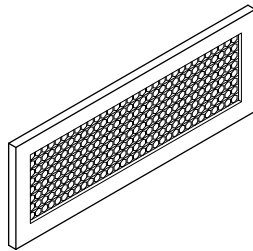
5 - 1 PC



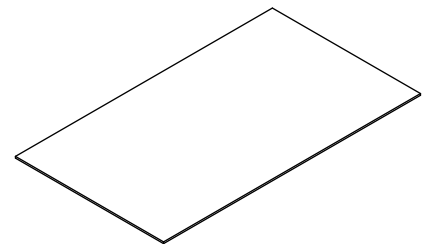
6 - 1 PC



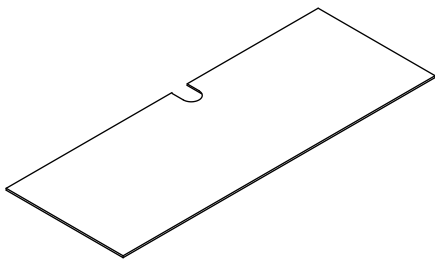
7 - 1 PC



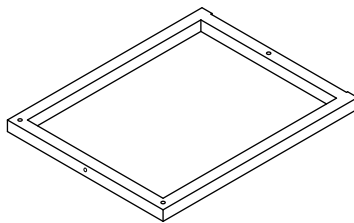
8 - 1 PC



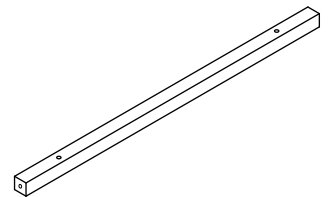
9 - 1 PC



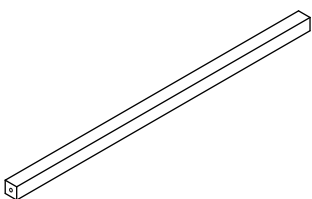
10 - 1 PC



11 - 2 PCS



12 - 2 PCS

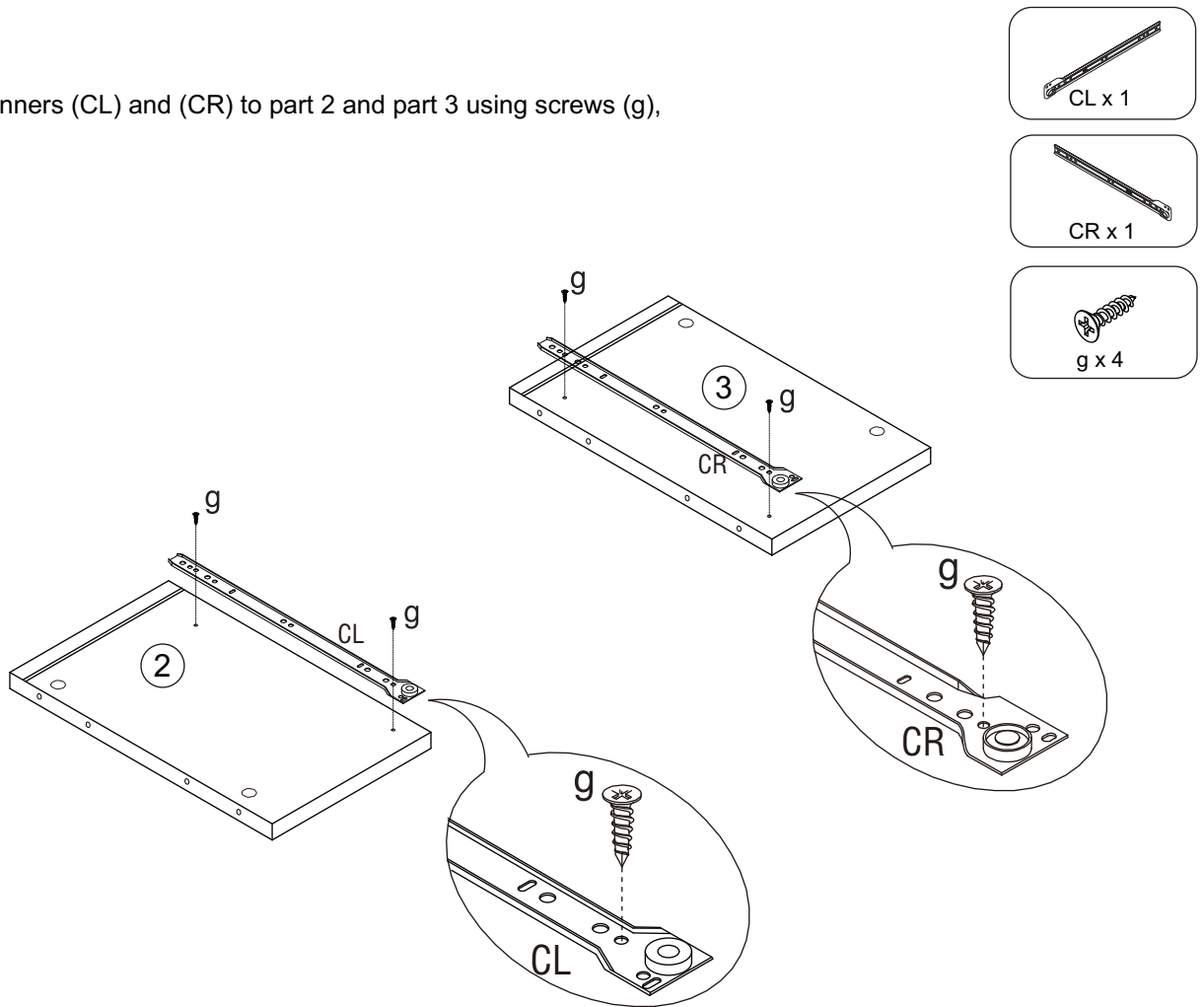


13 - 1 PC

ASSEMBLY STEPS

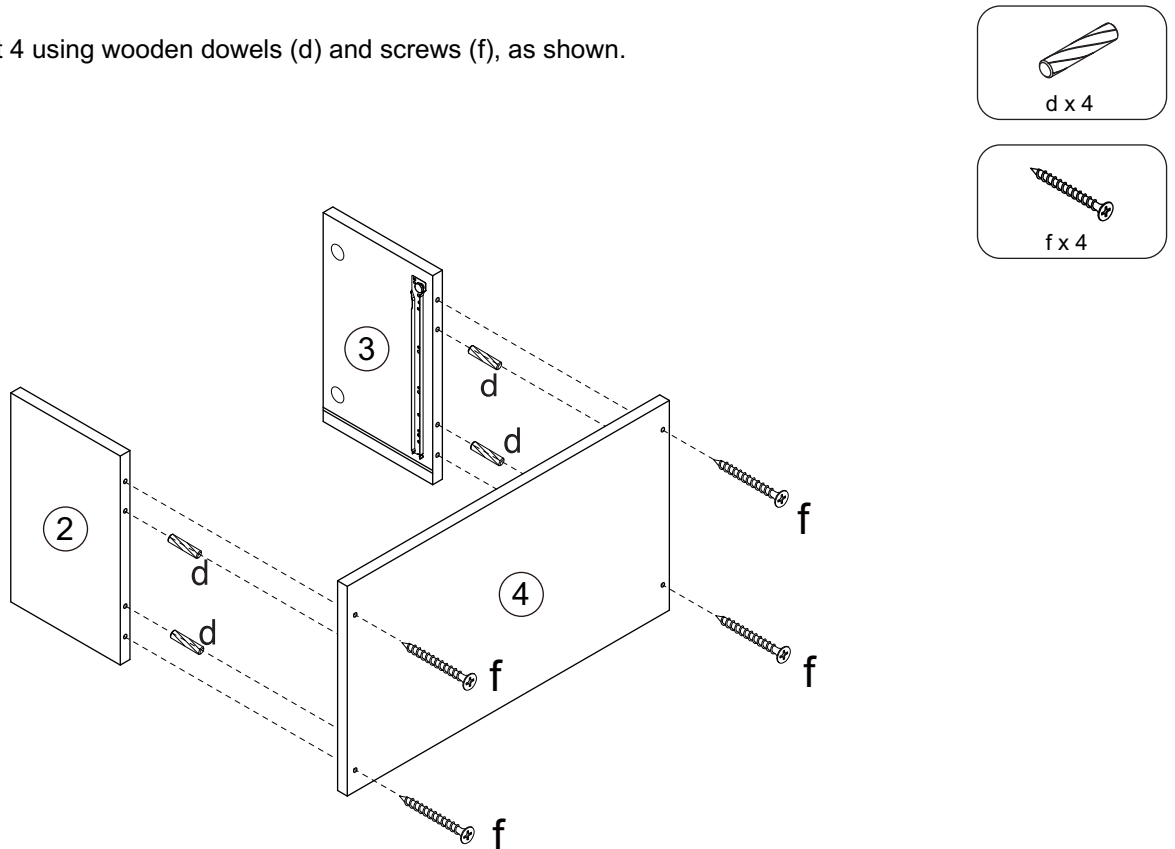
STEP 1.

Fix outer drawer runners (CL) and (CR) to part 2 and part 3 using screws (g), as shown.



STEP 2.

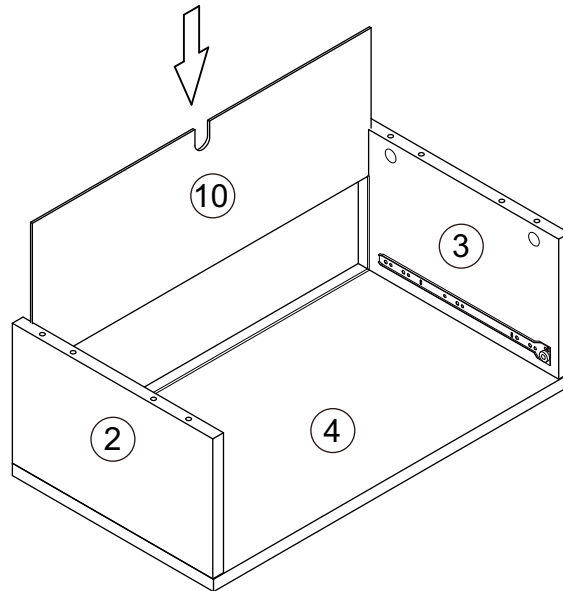
Fix parts 2 and 3 to part 4 using wooden dowels (d) and screws (f), as shown.



ASSEMBLY STEPS

STEP 3.

Slide part 10 into grooves between parts 2, 4 and 3, as shown.



STEP 4.

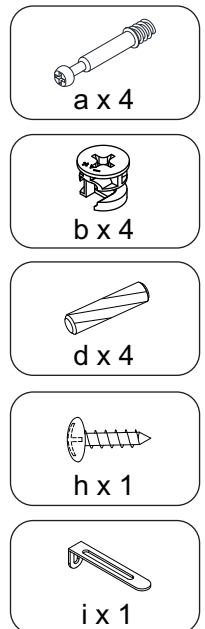
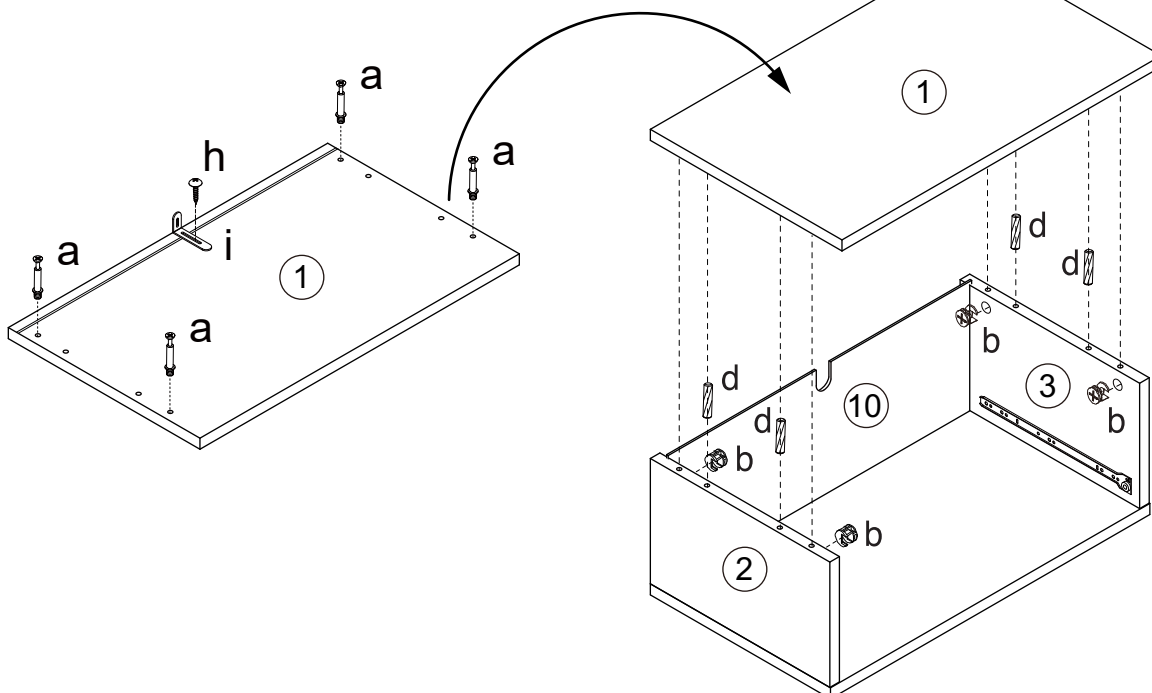
Fix wall bracket (i) to part 1 using screw (h), as shown.

Insert quickfit screws (a) into part 1.

Insert cam locks (b) and wooden dowels (d) into parts 2 and 3.

Fit part 1 to parts 2 and 3, as shown.

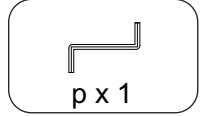
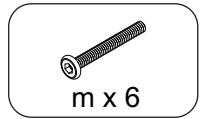
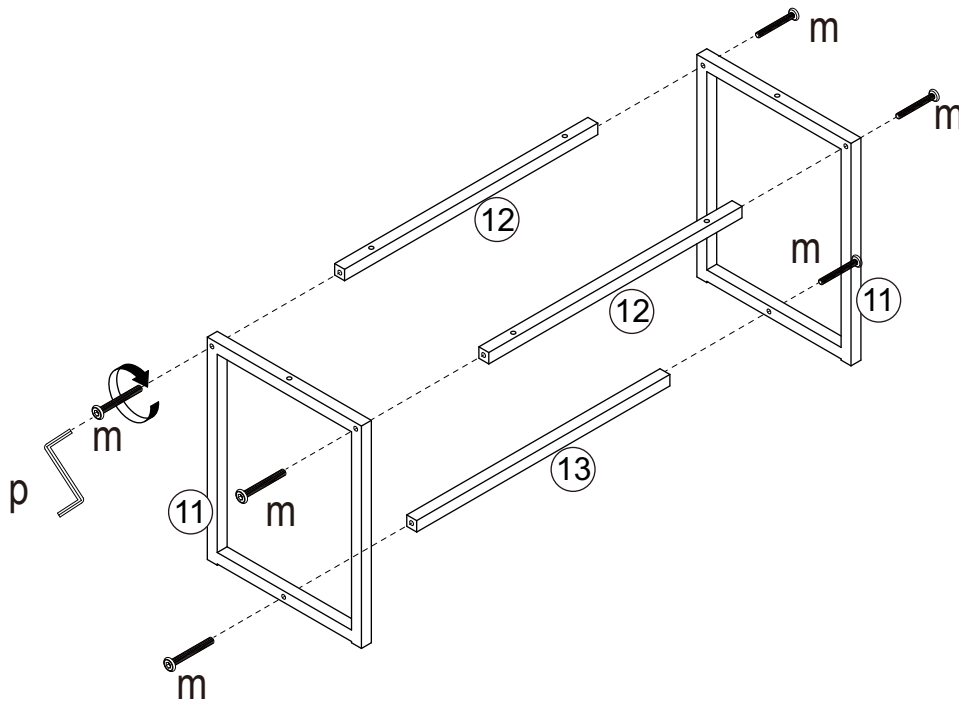
Turn cam locks clockwise to tighten.



ASSEMBLY STEPS

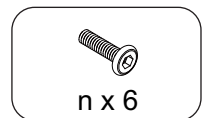
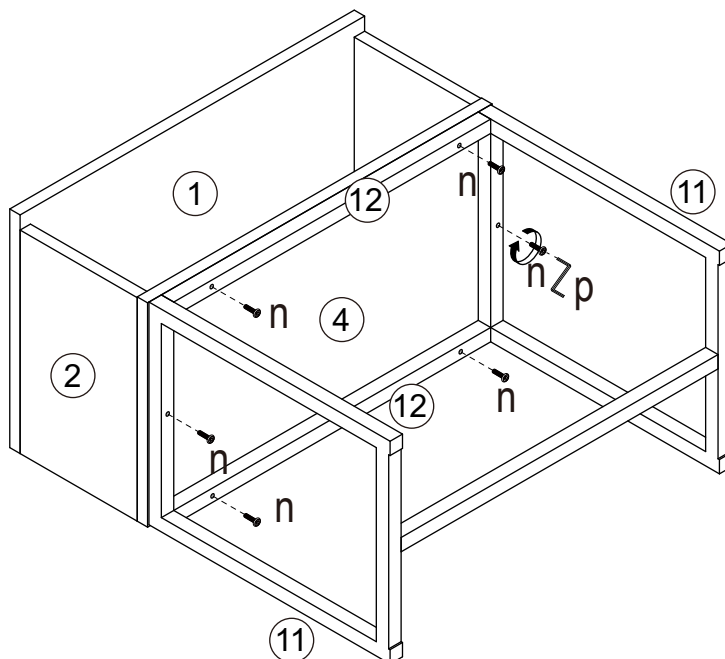
STEP 5.

Fix parts 12 and 13 to parts 11 using screws (m) and allen key (p), as shown.



STEP 6.

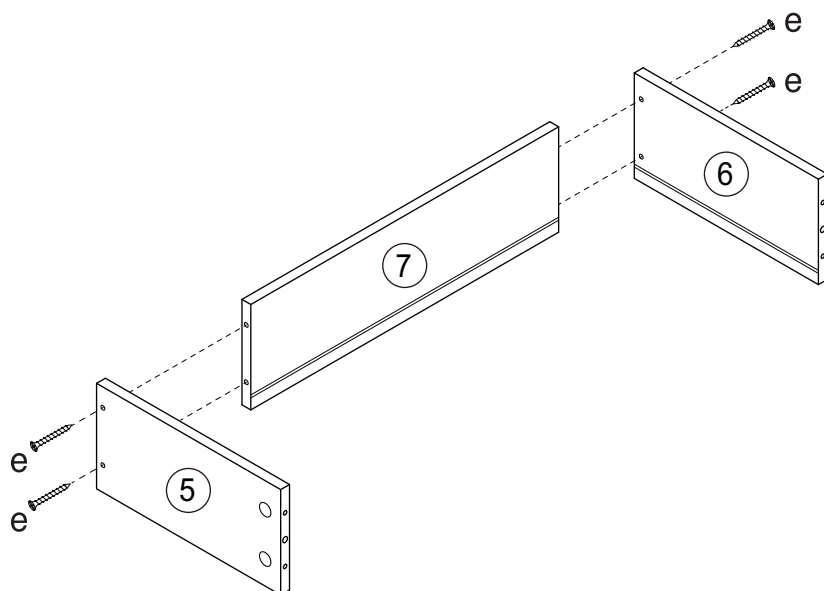
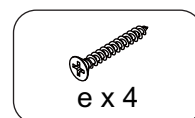
Fix metal legs to assembled unit using screws (n) and allen key, as shown.



ASSEMBLY STEPS

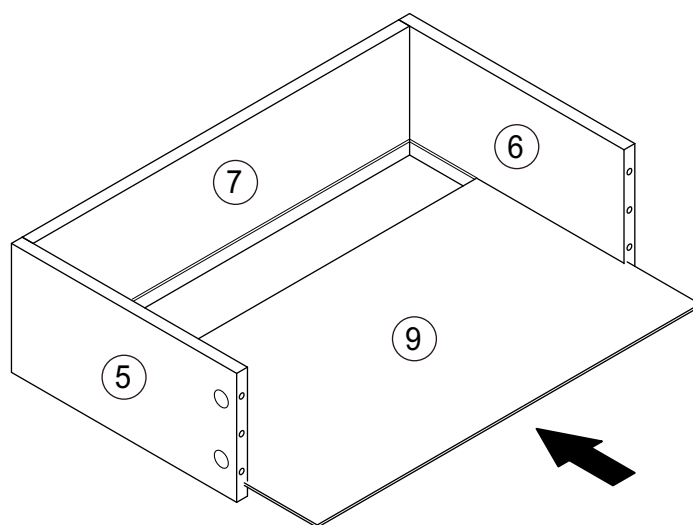
STEP 7.

Fix parts 5 and 6 to part 7 using screws (e), as shown.



STEP 8.

Slide part 9 into grooves between parts 5, 7 and 6, as shown.



ASSEMBLY STEPS

STEP 9.

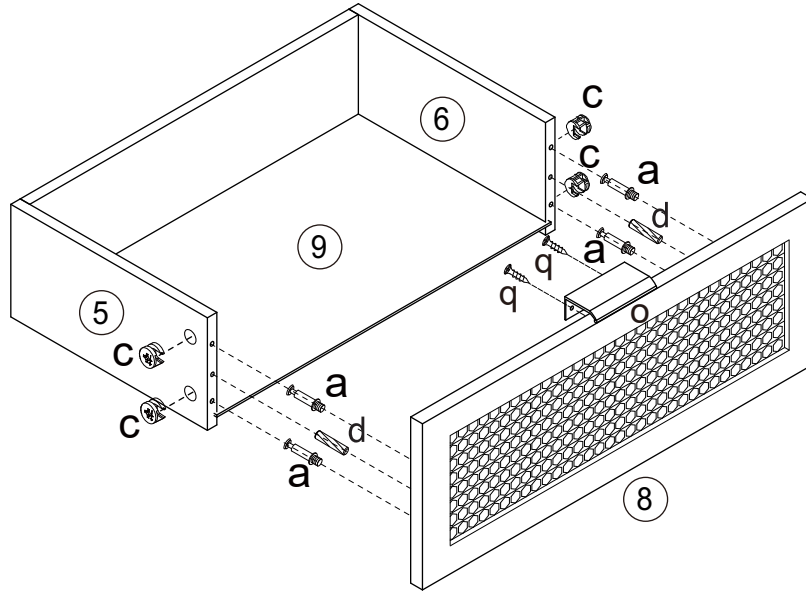
Fix handle (o) to part 8 using screws (q), as shown.

Insert quickfit screws (a) into part 8.

Insert cam locks (c) and wooden dowels (d) into parts 5 and 6.

Fit part 8 to parts 5 and 6, as shown.

Turn cam locks clockwise to tighten.



a x 4



c x 4



q x 2



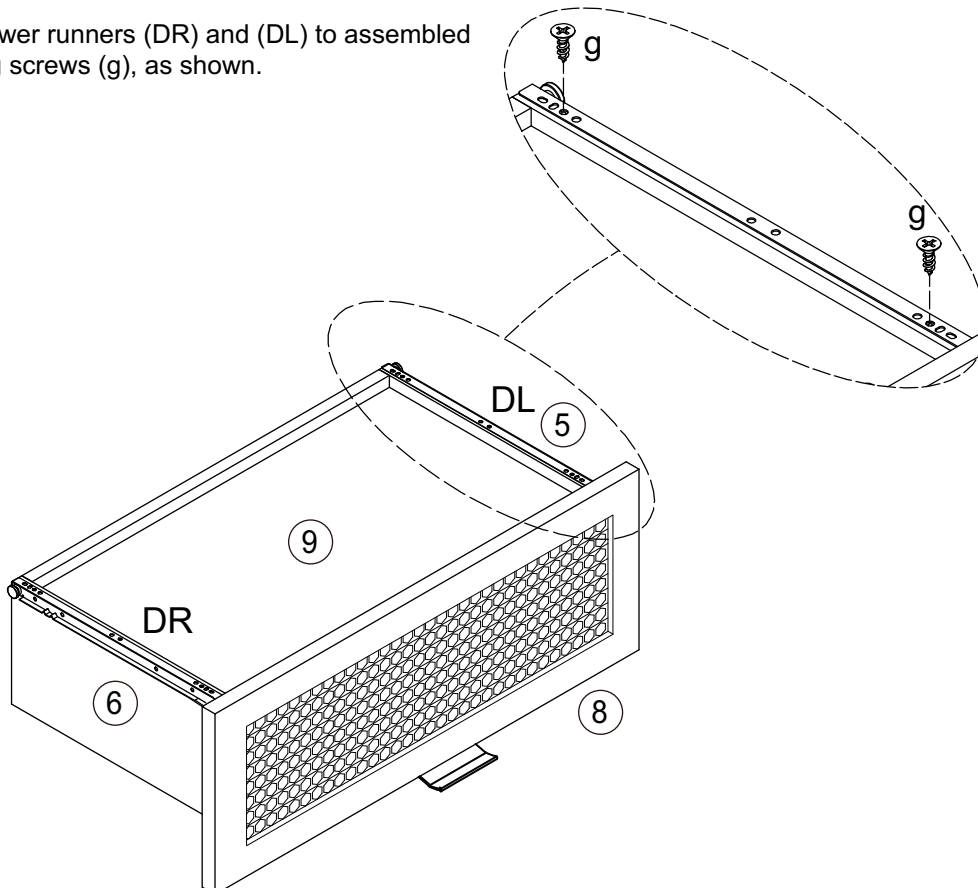
o x 1



d x 2

STEP 10.

Fix inner drawer runners (DR) and (DL) to assembled drawer using screws (g), as shown.



DL x 1



DR x 1

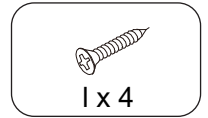
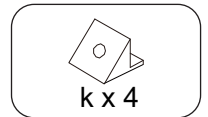
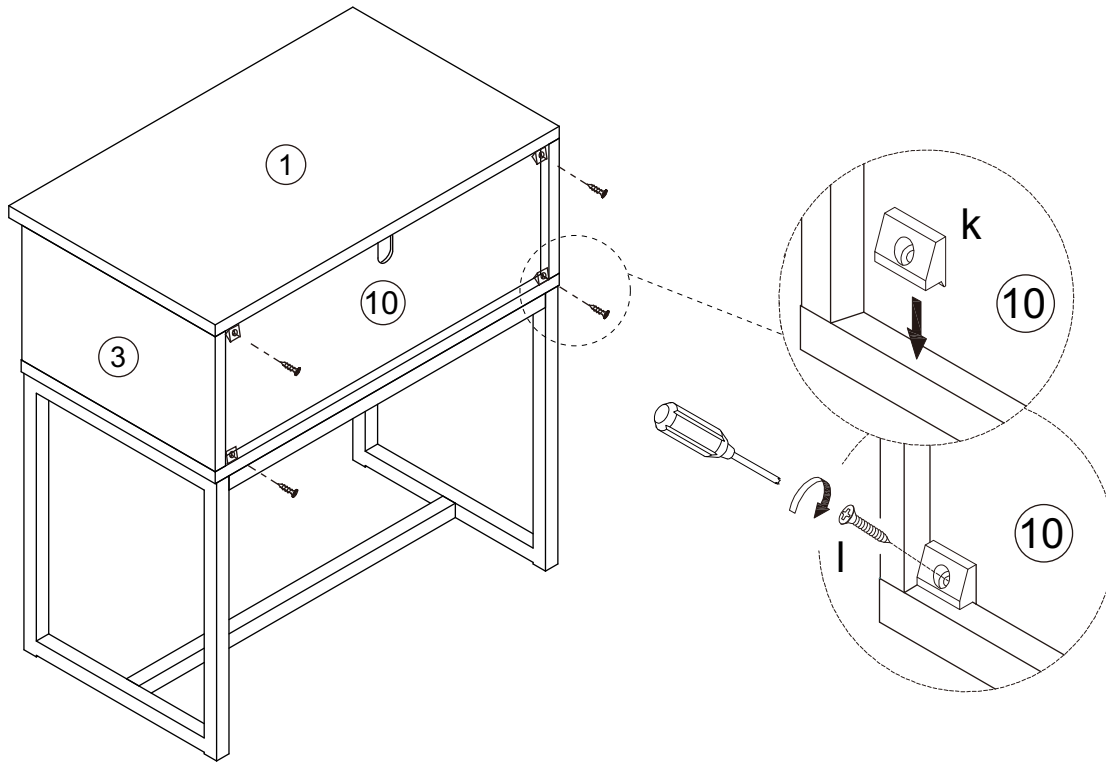


g x 4

ASSEMBLY STEPS

STEP 11.

Fix corner brackets (k) to part 10 using screws (l), as shown.

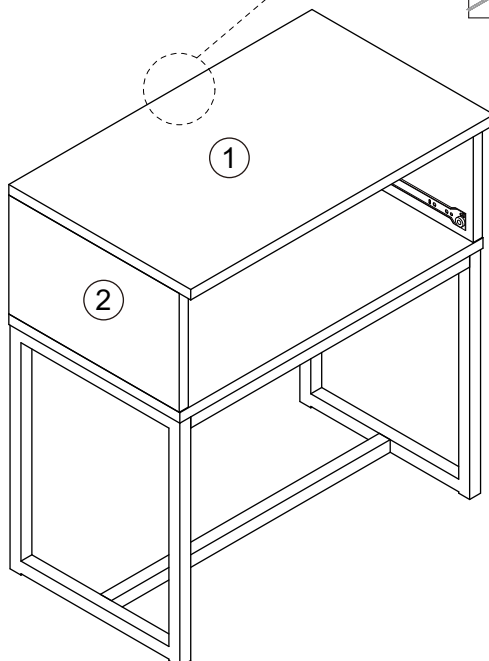
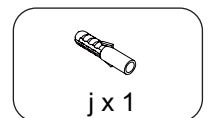
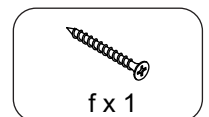
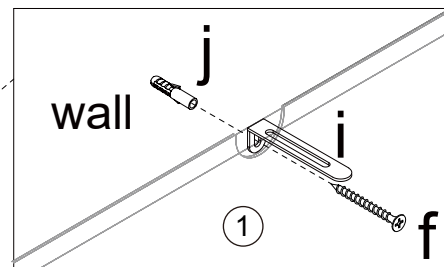


STEP 12.

For extra stability, you must fix your night stand to the wall using hardware (f and j), as shown.

Screw (f) is fixed through wall bracket (i) and into the wall plug (j).

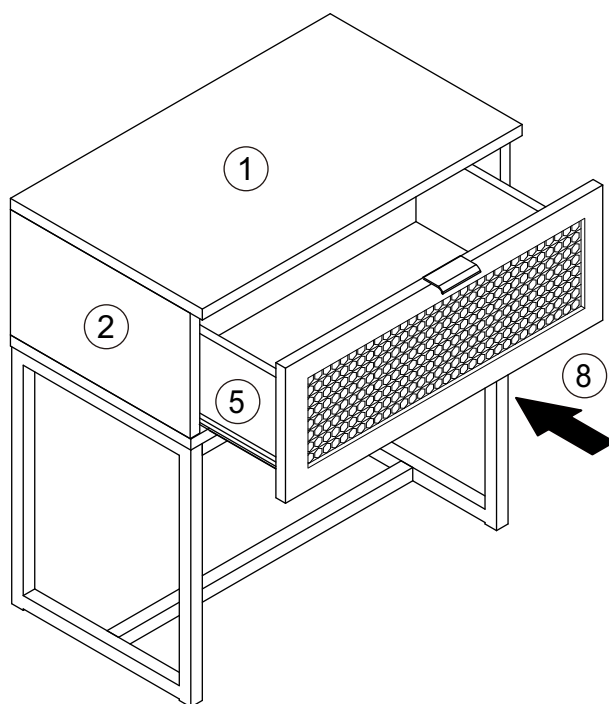
Should you choose not to affix the product to the wall, serious injury may be caused if the product tips over.



ASSEMBLY STEPS

STEP 13.

Fit drawer into assembled unit, as shown.



STEP 14.

Your night stand is ready for use.

